



US00D602822S

(12) **United States Design Patent**
Irie

(10) **Patent No.:** **US D602,822 S**
(45) **Date of Patent:** **** Oct. 27, 2009**

(54) **BUMPER FOR VEHICLE**

(57) **CLAIM**

(75) Inventor: **Shinichiro Irie**, Machida (JP)

The ornamental design for a bumper for vehicle, as shown and described.

(73) Assignee: **Nissan Motor Co., Ltd.**, Yokohama-shi (JP)

(**) Term: **14 Years**

DESCRIPTION

(21) Appl. No.: **29/330,386**

FIG. 1 is a top perspective view of a bumper for vehicle;

(22) Filed: **Jan. 6, 2009**

FIG. 2 is a bottom perspective view thereof;

(30) **Foreign Application Priority Data**

Jul. 7, 2008 (JP) D2008-017414

FIG. 3 is a front view thereof;

FIG. 4 is a rear view thereof;

(51) **LOC (9) Cl.** **12-16**

(52) **U.S. Cl.** **D12/169**

FIG. 5 is a left side view thereof;

FIG. 6 is a right side view thereof;

(58) **Field of Classification Search** D12/169,
D12/196, 171, 163, 216, 90-92, 86; 293/102,
293/113, 115, 117, 120; 296/180.1, 180.2
See application file for complete search history.

FIG. 7 is a top plan view thereof;

FIG. 8 is a bottom plan view thereof;

(56) **References Cited**

U.S. PATENT DOCUMENTS

D588,509 S * 3/2009 Woolley et al. D12/169

D590,306 S * 4/2009 Saracoglu D12/169

D592,565 S * 5/2009 Borkert D12/169

D592,567 S * 5/2009 Saracoglu D12/169

FIG. 9 is an enlarged sectional view thereof showing the sectioned surface of the portion taken along line 9—9 in FIG. 3;

FIG. 10 is an enlarged sectional view thereof showing the sectioned surface of the portion taken along line 10—10 in FIG. 3;

FIG. 11 is an enlarged sectional view thereof showing the sectioned surface of the portion taken along line 11—11 in FIG. 3; and,

FIG. 12 is an enlarged sectional view thereof showing the sectioned surface of the portion taken along line 12—12 in FIG. 5.

* cited by examiner

Primary Examiner—Melody N Brown

(74) *Attorney, Agent, or Firm*—Foley & Lardner LLP

1 Claim, 4 Drawing Sheets

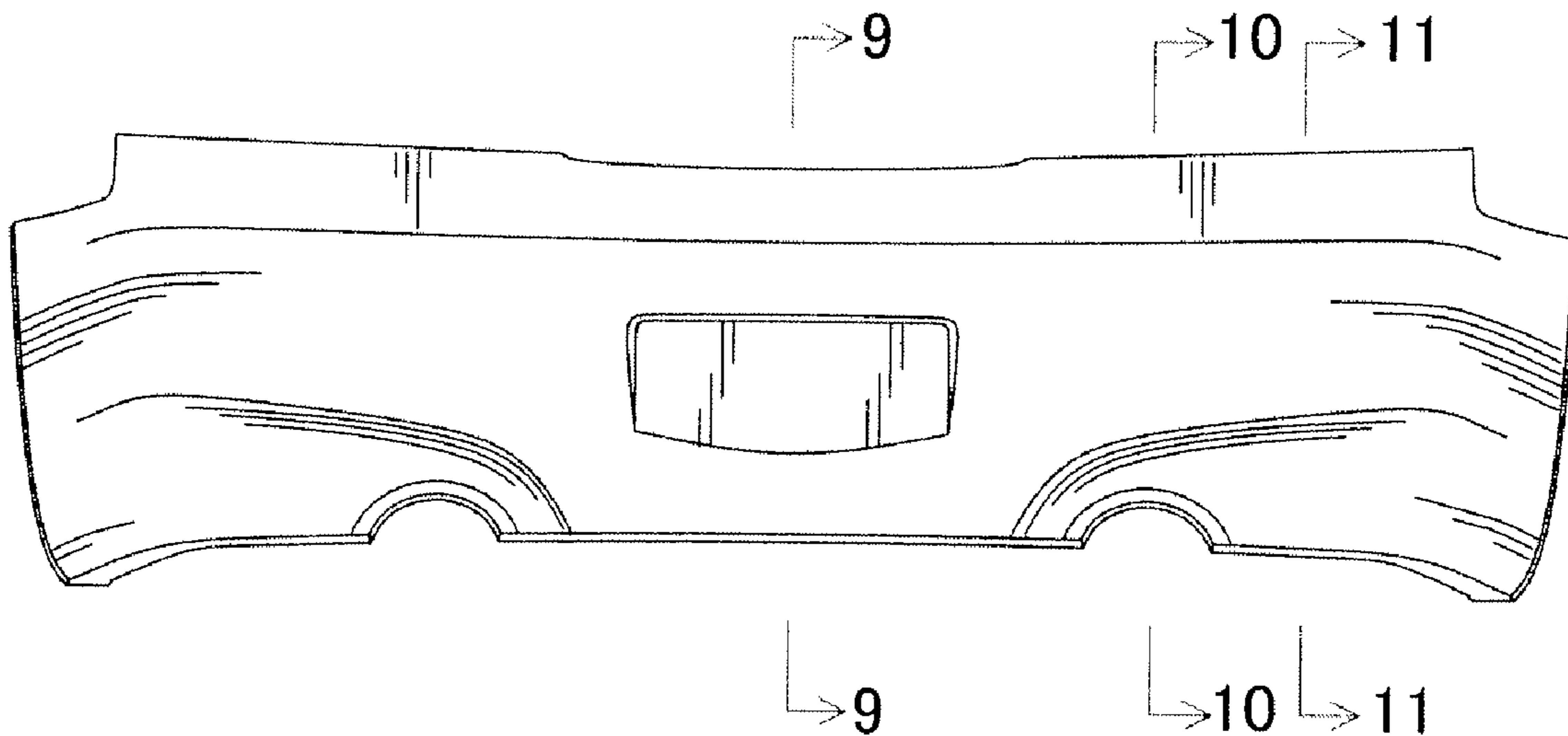


Fig.1

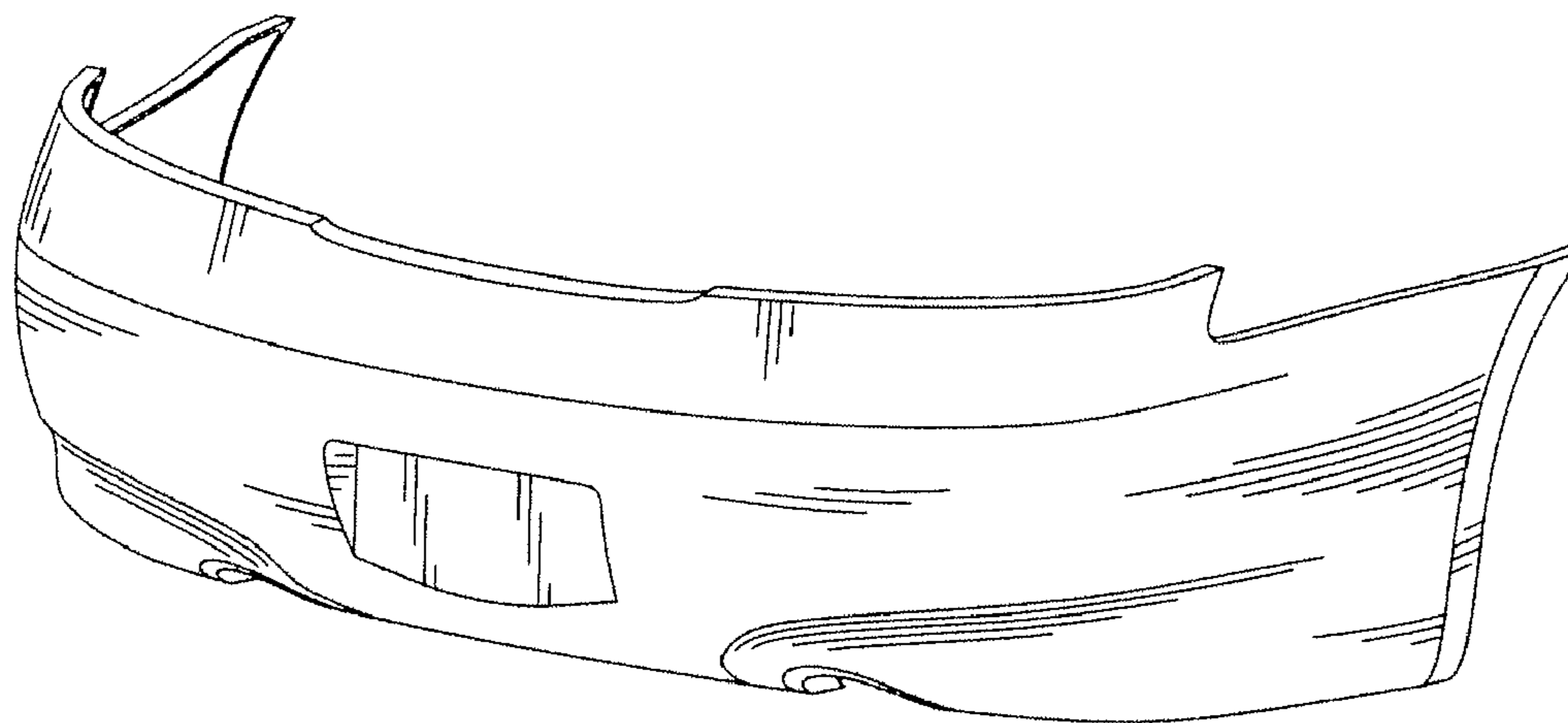


Fig.2

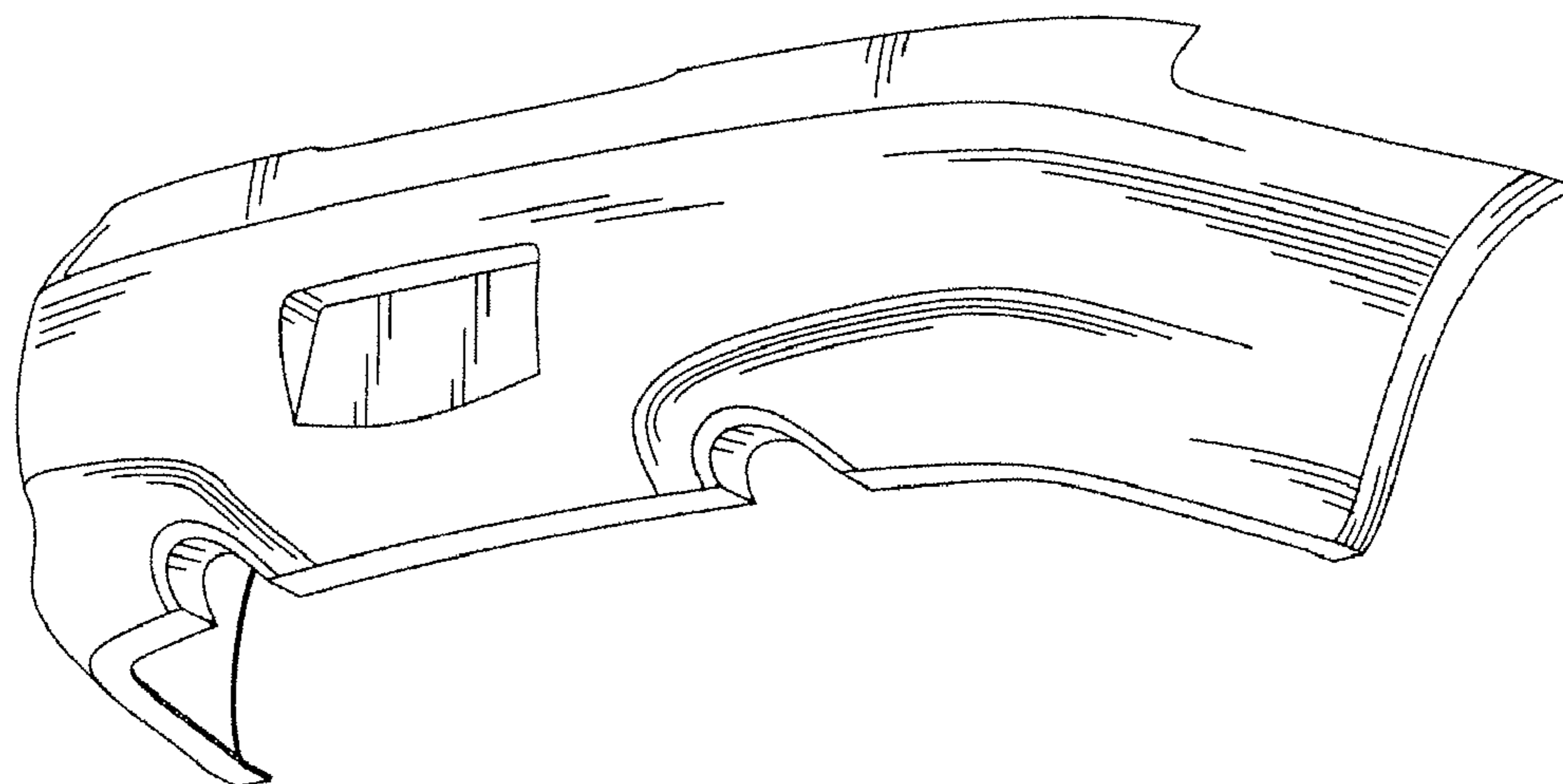


Fig.3

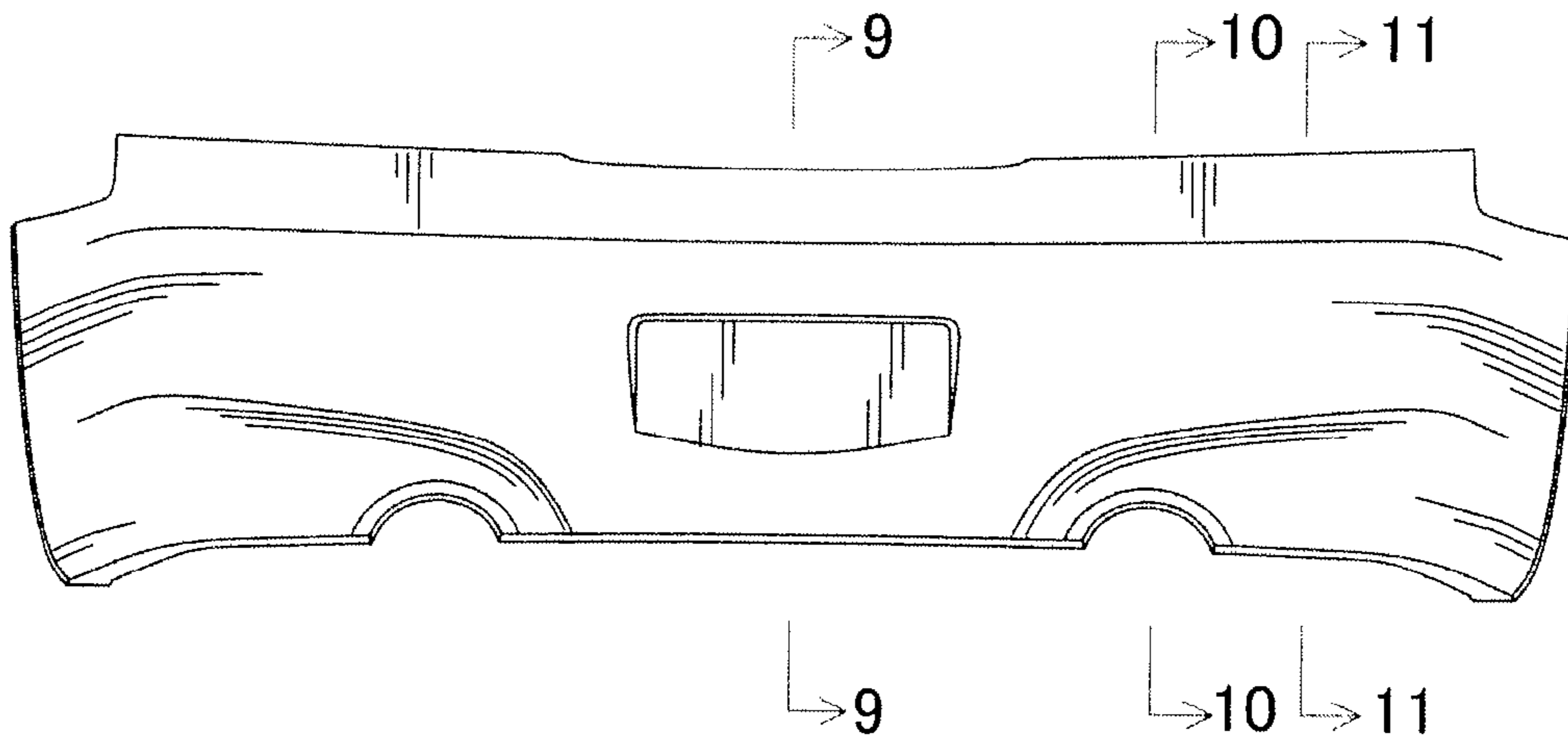


Fig.4

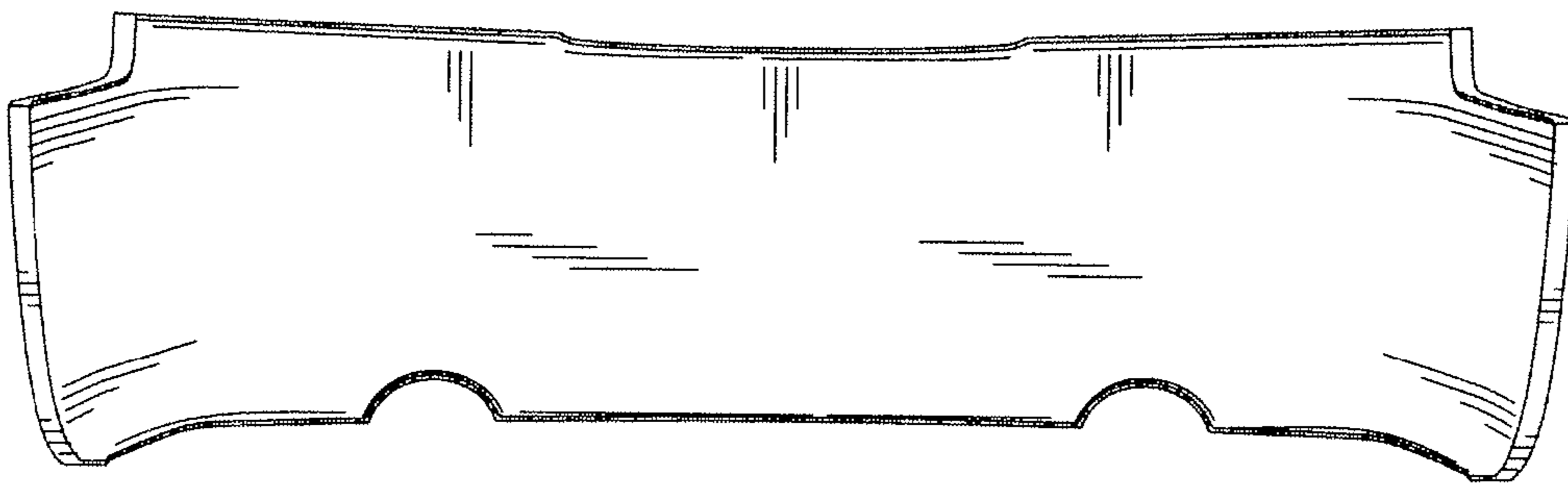


Fig.5

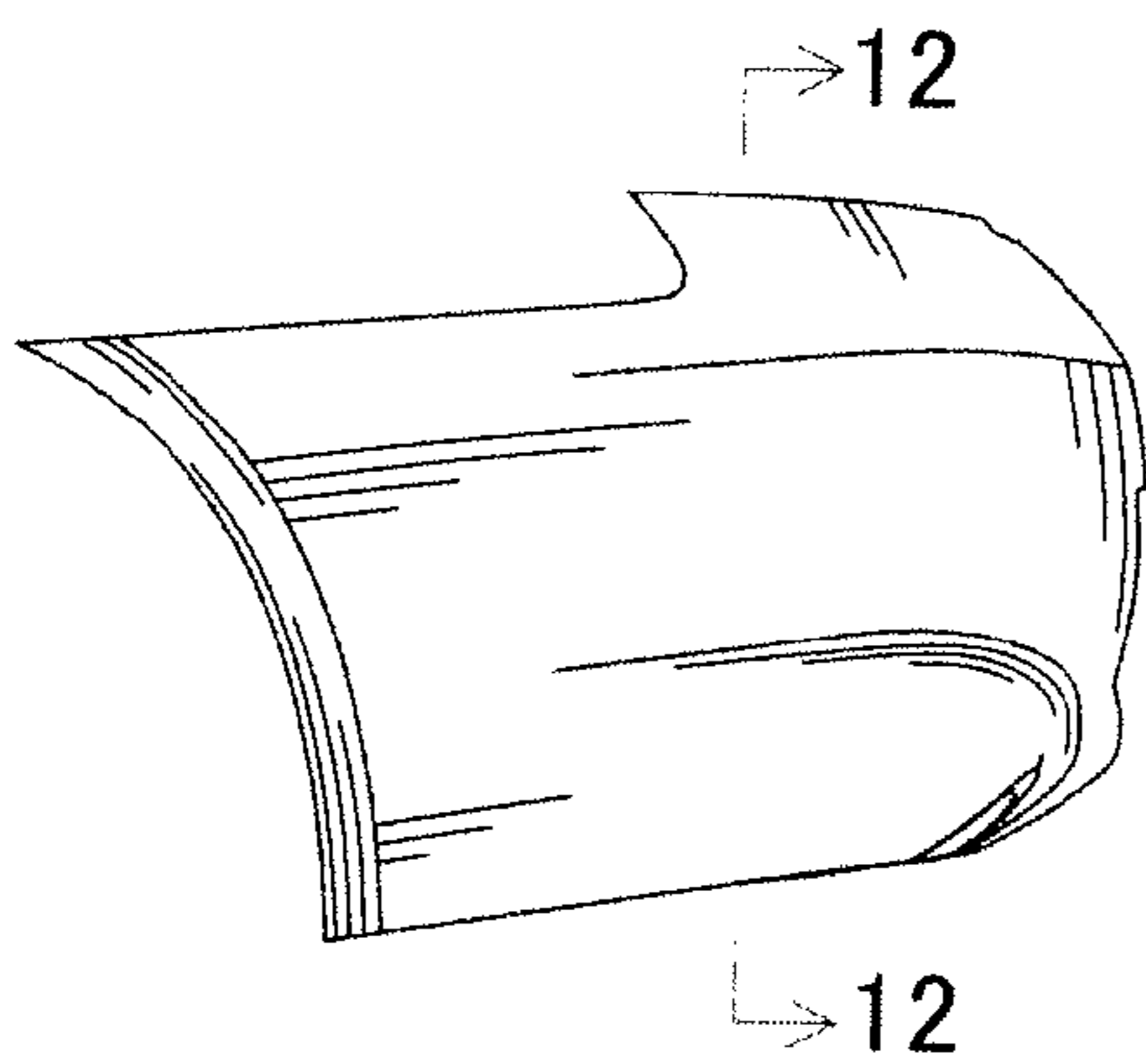


Fig.6

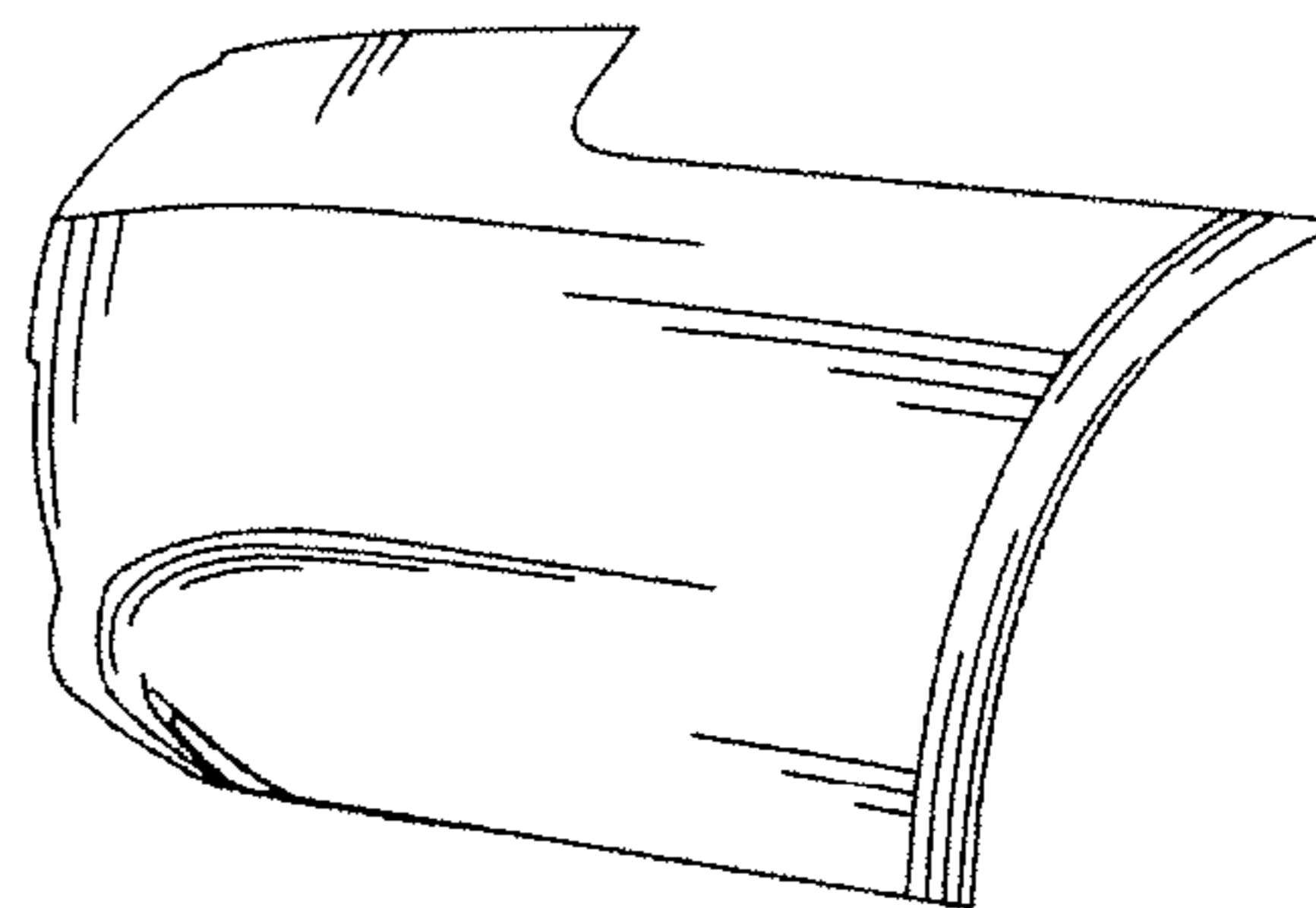


Fig.7

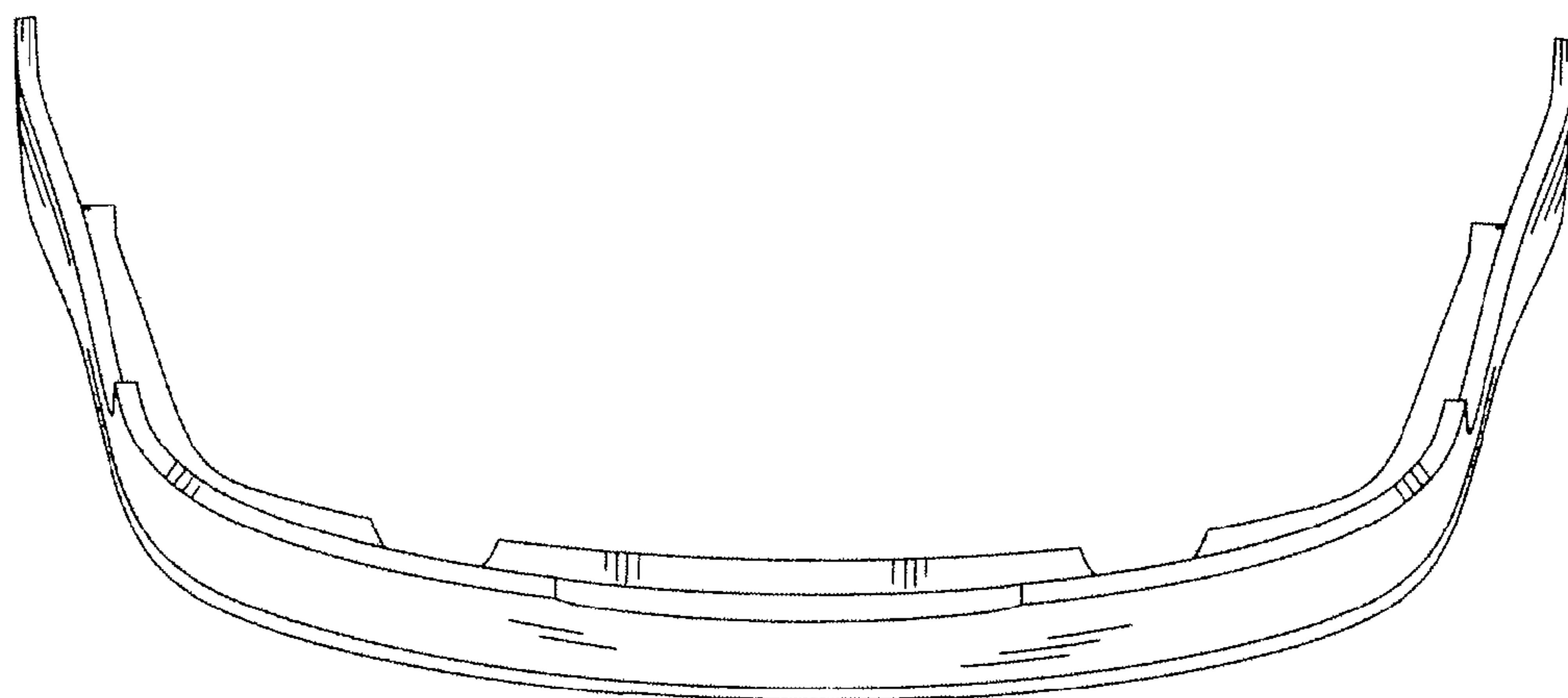


Fig.8

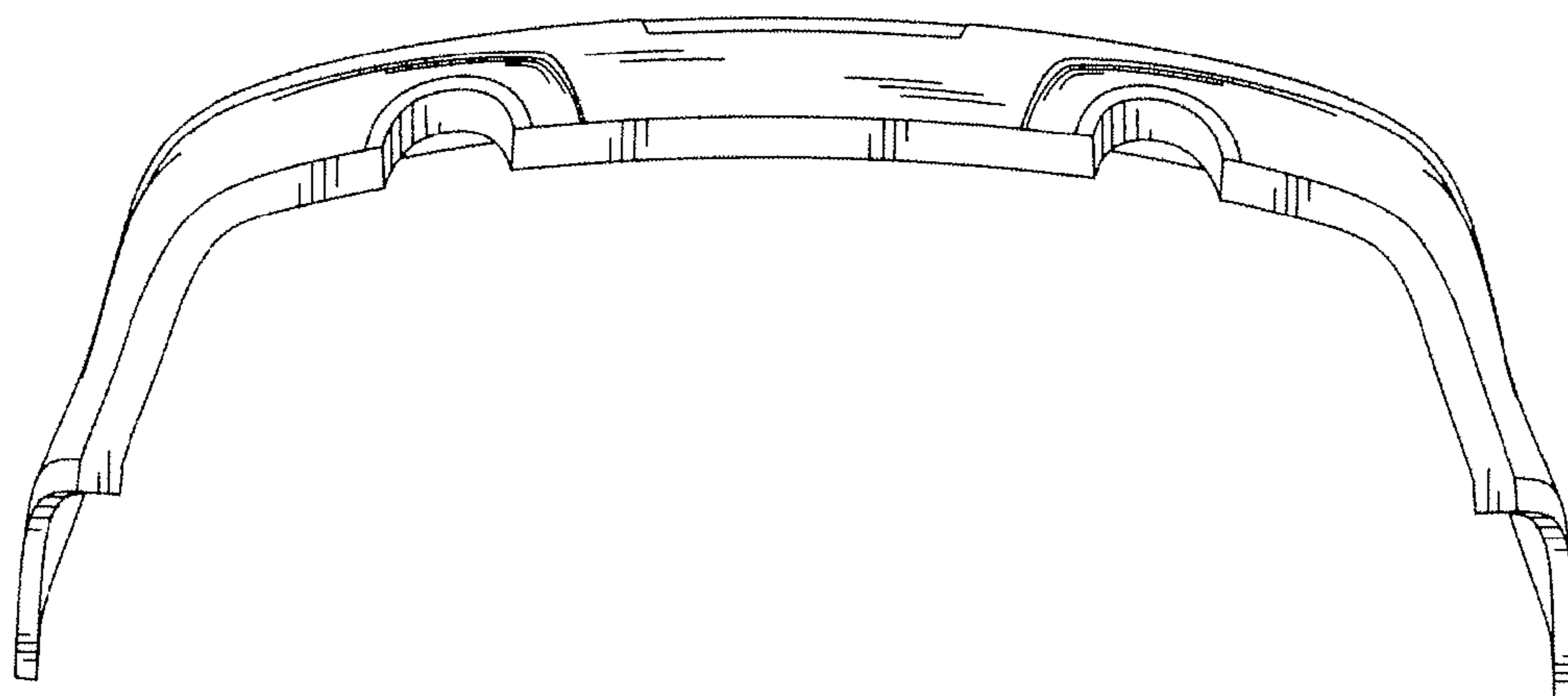


Fig.9

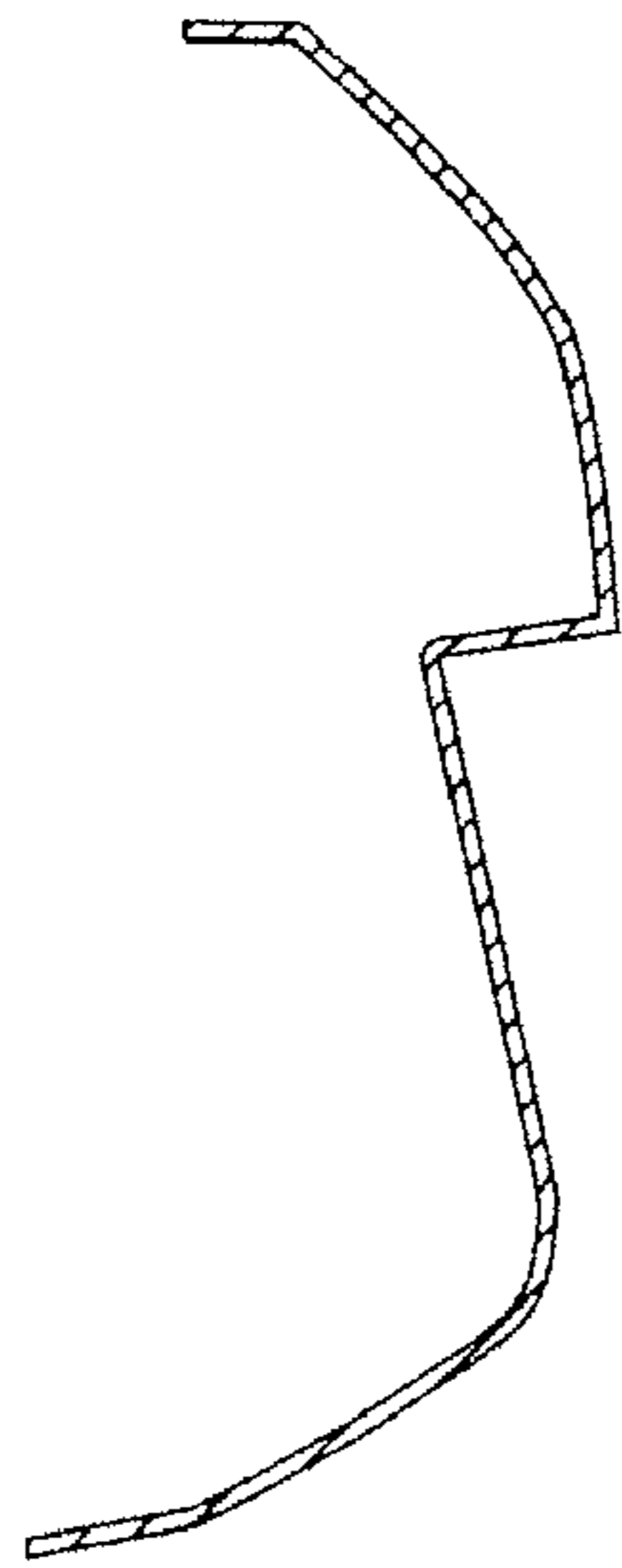


Fig.10



Fig.11

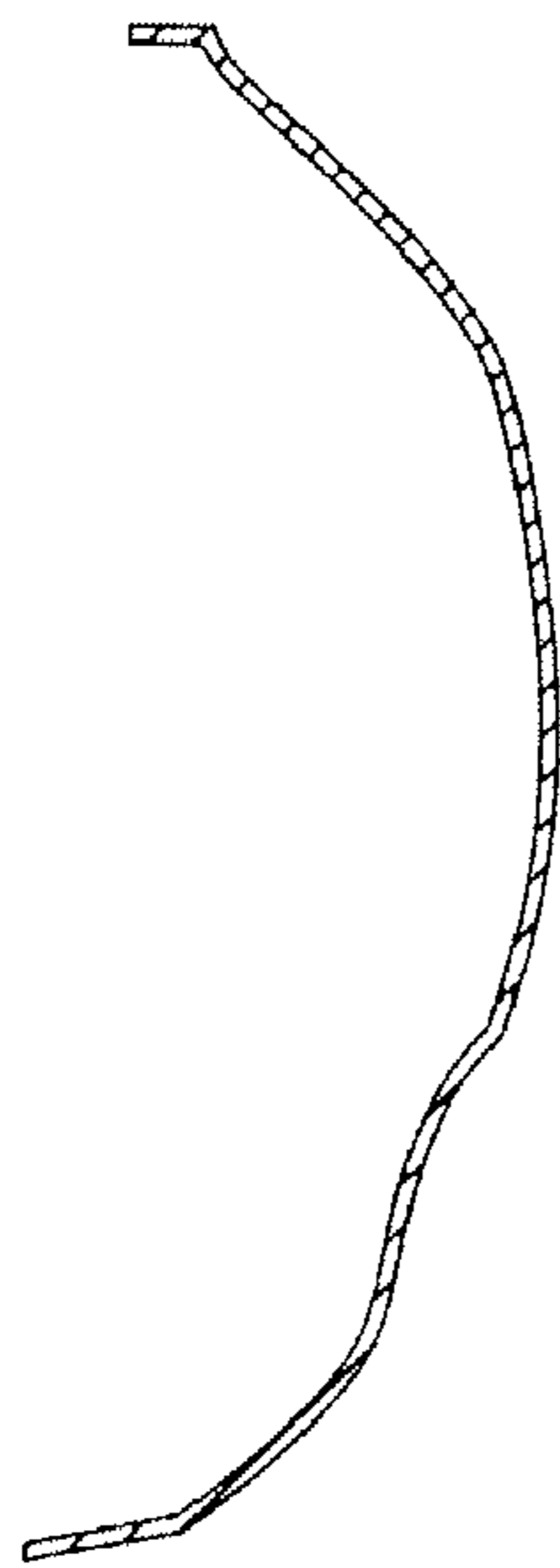


Fig.12

