



US00D602820S

(12) **United States Design Patent**  
**Yukawa et al.**

(10) **Patent No.:** **US D602,820 S**  
(45) **Date of Patent:** **\*\* Oct. 27, 2009**

(54) **RADIATOR GRILLE FOR VEHICLE**

(75) Inventors: **Mutsuo Yukawa**, Chigasaki (JP); **Brian Janik**, South Lyon, MI (US)

(73) Assignee: **Nissan Motor Co., Ltd.**, Yokohama-shi (JP)

(\*\*) Term: **14 Years**

(21) Appl. No.: **29/250,689**

(22) Filed: **Nov. 28, 2006**

(30) **Foreign Application Priority Data**

May 29, 2006 (JP) ..... 2006-013505

(51) **LOC (9) Cl.** ..... **12-16**

(52) **U.S. Cl.** ..... **D12/163**

(58) **Field of Classification Search** ..... D12/163,  
D12/171, 173, 196, 216, 90-92, 86, 400,  
D12/170, 164; 180/68.1, 68.6, 69.2, 69.1,  
180/69.25; 296/193.11

See application file for complete search history.

(56) **References Cited**

**U.S. PATENT DOCUMENTS**

6,986,597 B2 \* 1/2006 Elwell ..... 362/496  
D515,987 S \* 2/2006 Yamamoto ..... D12/163  
D526,943 S \* 8/2006 Wu ..... D12/163

D565,478 S \* 4/2008 Abe ..... D12/163  
D575,688 S \* 8/2008 Miyata et al. .... D12/163  
D584,198 S \* 1/2009 Tamura ..... D12/163  
D592,111 S \* 5/2009 Janik et al. .... D12/163  
D592,564 S \* 5/2009 Kusamoto et al. .... D12/163  
2007/0058382 A1 \* 3/2007 Lan ..... 362/487

\* cited by examiner

*Primary Examiner*—Robert M Spear

*Assistant Examiner*—Cynthia Underwood

(74) *Attorney, Agent, or Firm*—Foley & Lardner LLP

(57) **CLAIM**

The ornamental design for a radiator grille for vehicle, as shown and described.

**DESCRIPTION**

FIG. 1 is a perspective view of a radiator grille for vehicle;

FIG. 2 is a front view thereof;

FIG. 3 is a rear view thereof;

FIG. 4 is a top plan view thereof;

FIG. 5 is a bottom plan view thereof;

FIG. 6 is a left side view thereof;

FIG. 7 is a right side view thereof;

FIG. 8 is a sectional view thereof taken along line 8—8; and,

FIG. 9 is a sectional view thereof taken along line 9—9.

**1 Claim, 7 Drawing Sheets**

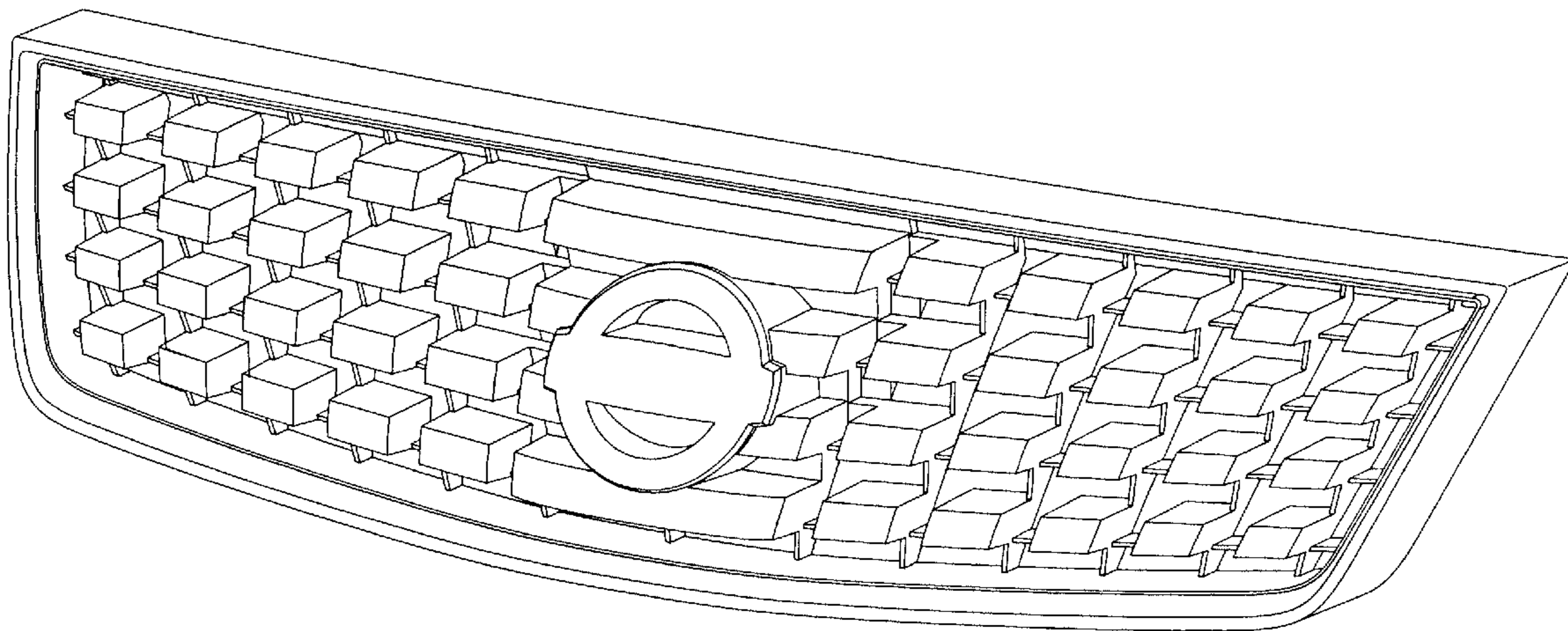


Fig.1

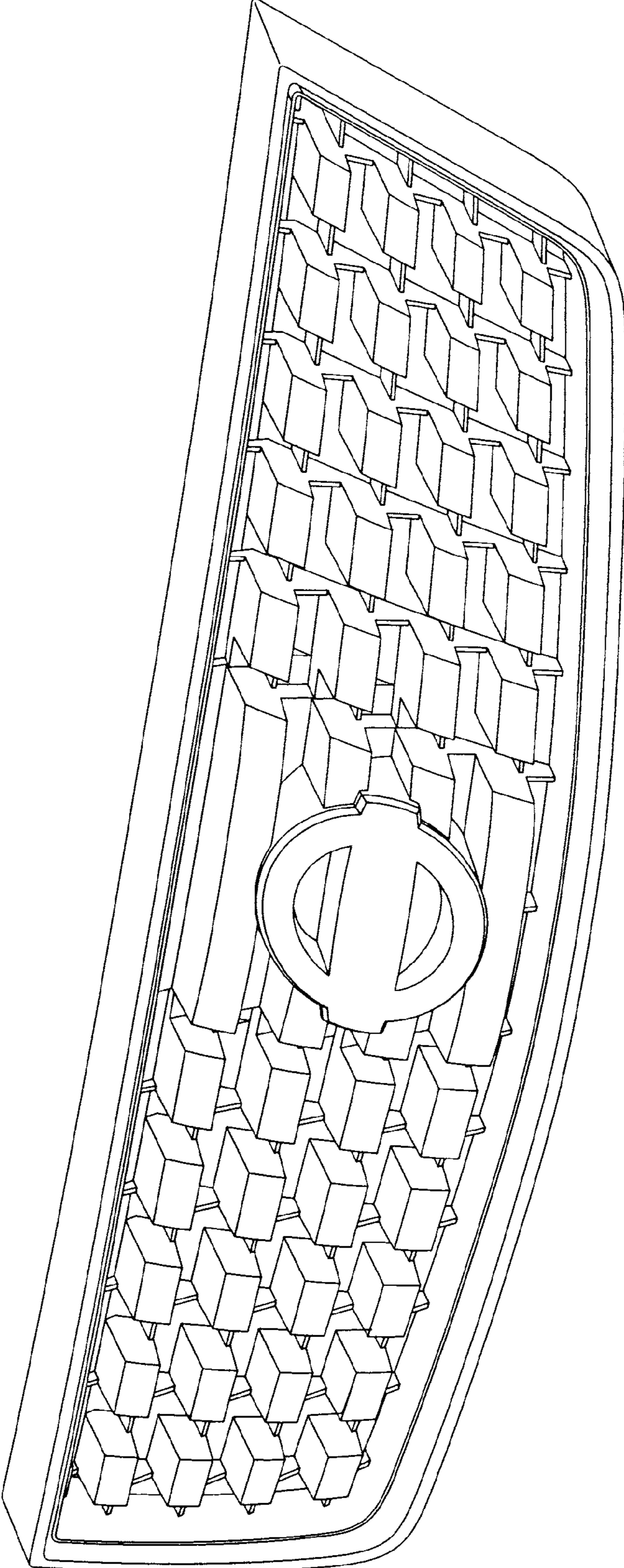


Fig.2

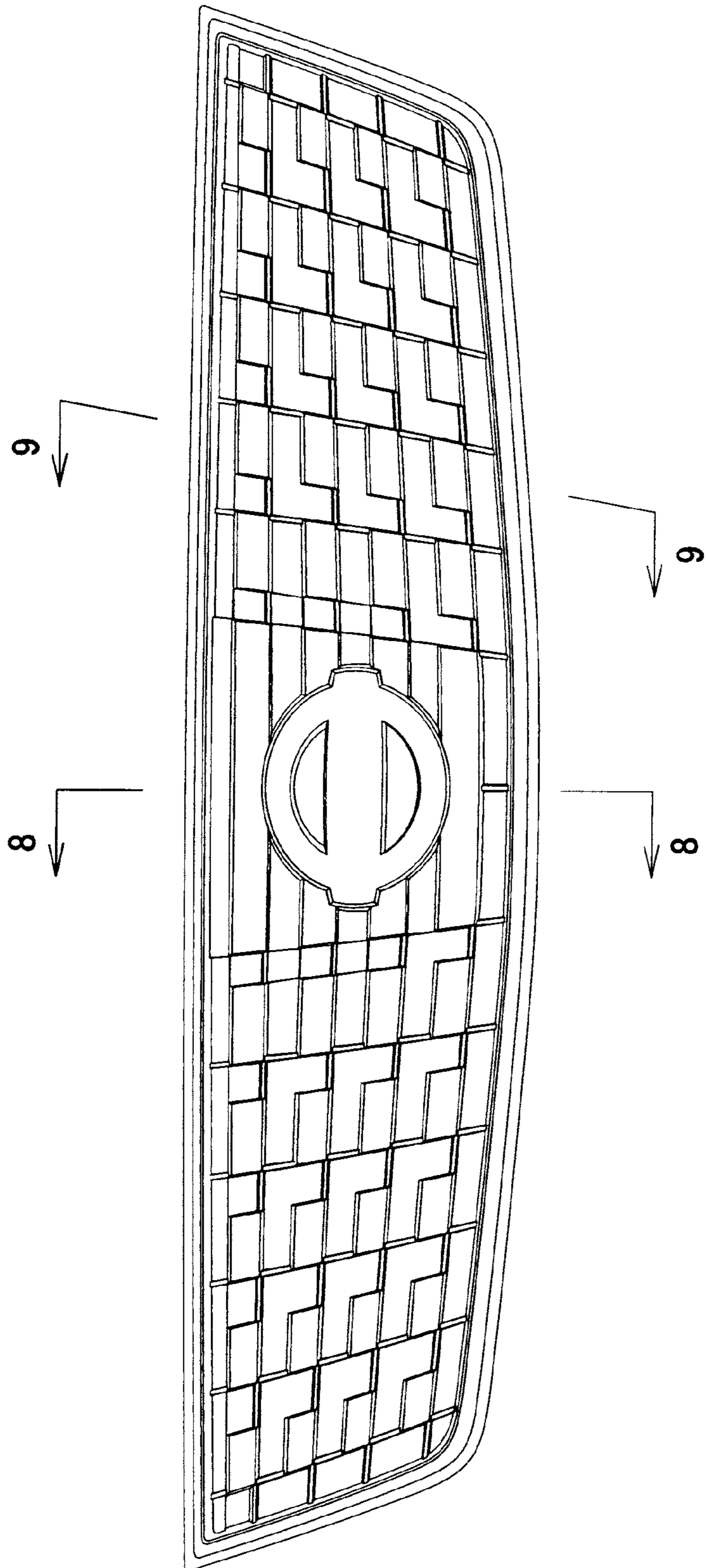




Fig.3

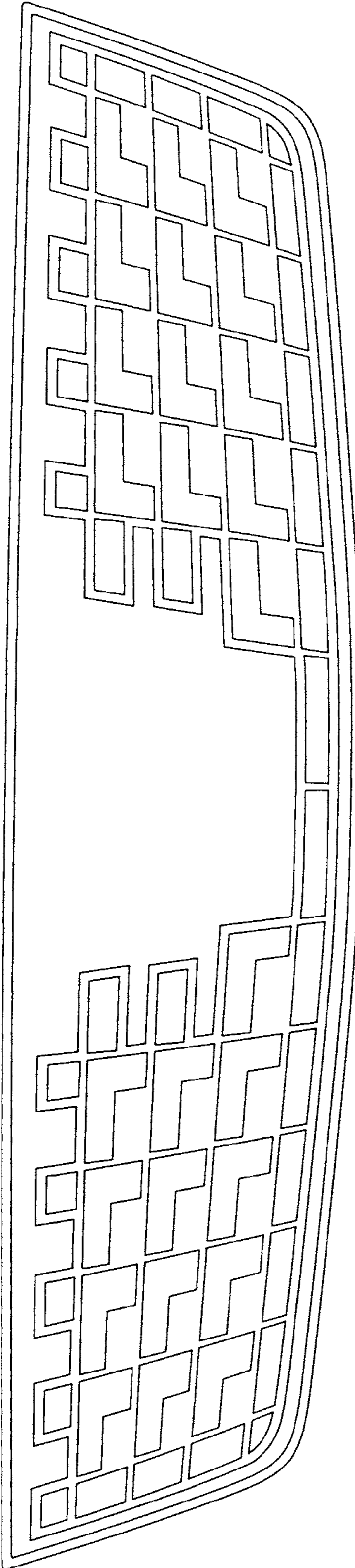


Fig.4

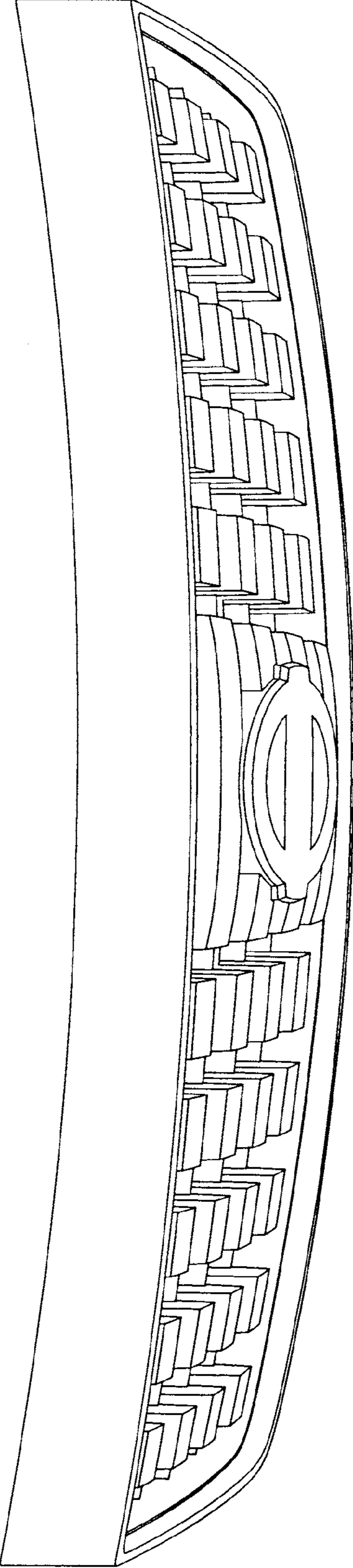


Fig.5

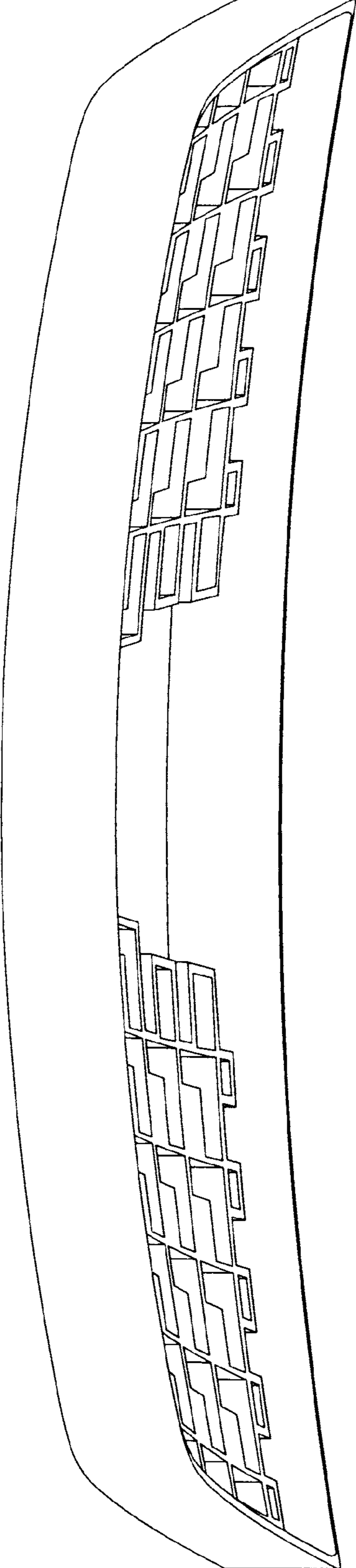


Fig.6

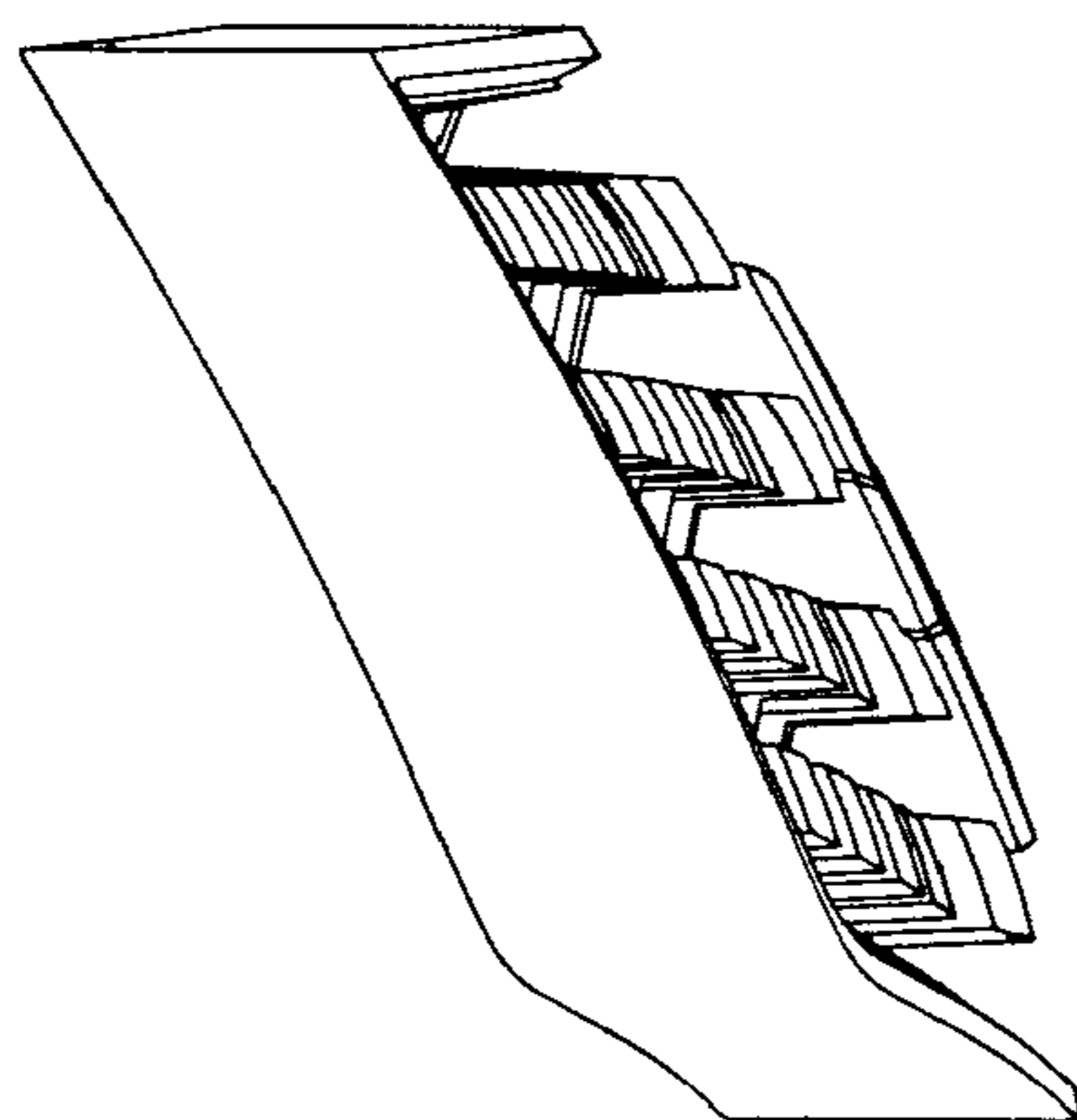


Fig.7

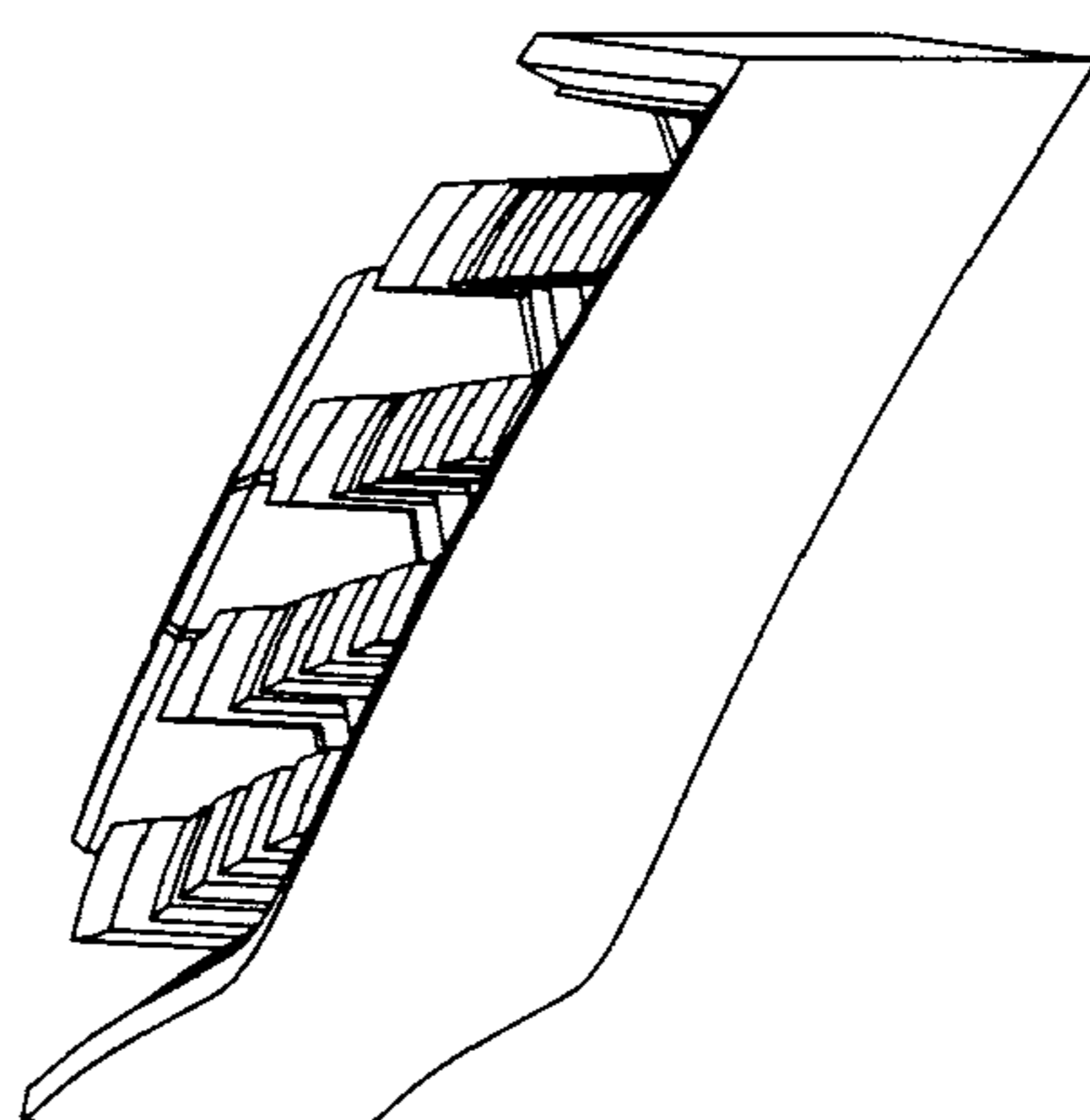


Fig.8

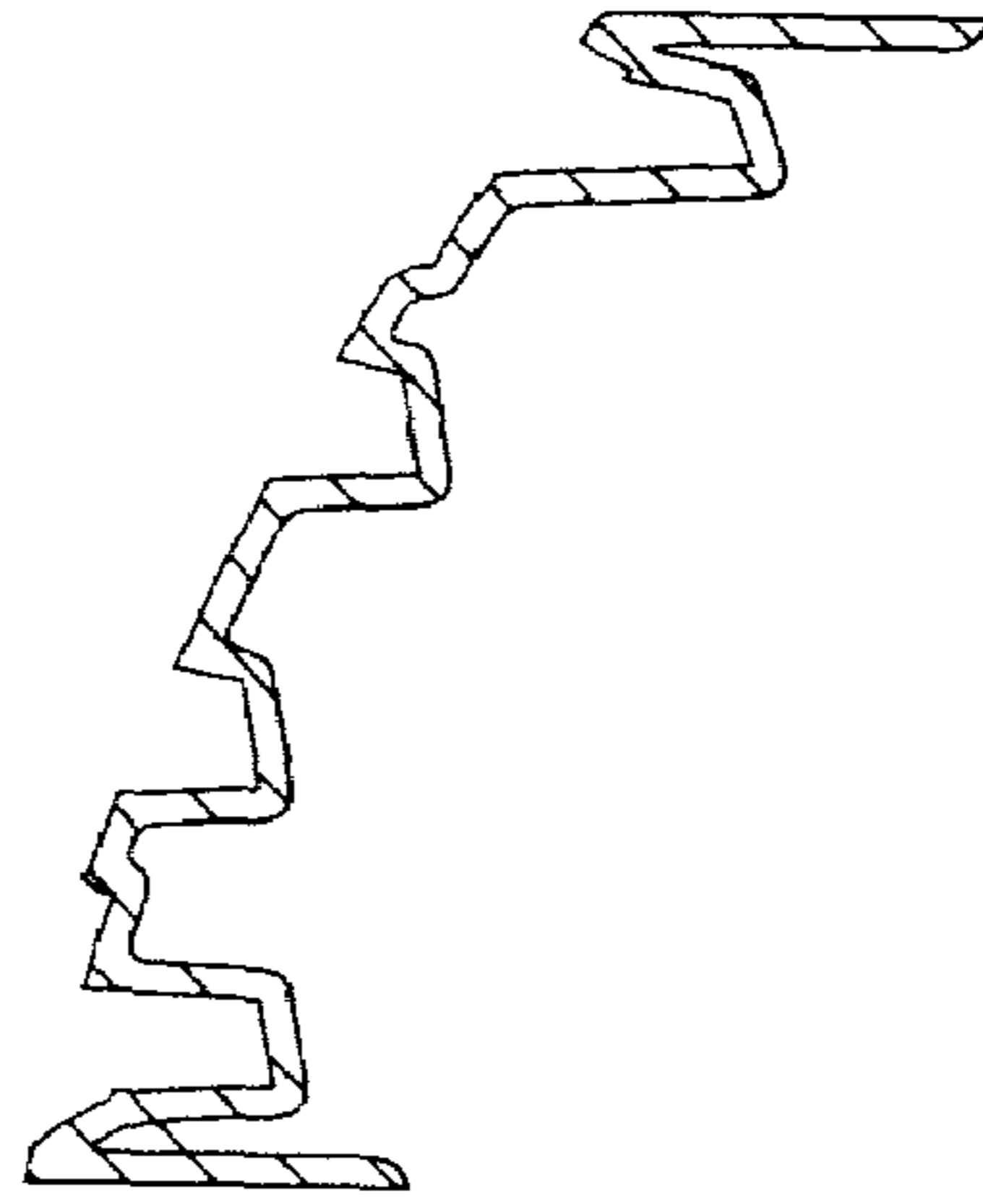


Fig.9

