

US00D602817S

(12) **United States Design Patent**  
**Kamalian**

(10) **Patent No.:** **US D602,817 S**

(45) **Date of Patent:** **\*\* Oct. 27, 2009**

(54) **MOTORCYCLE FLOORBOARD**

(74) *Attorney, Agent, or Firm*—Ballard Spahr LLP

(76) Inventor: **Michael Kamalian**, 1800 Wyntrop  
Manor Dr. SW., Marietta, GA (US)  
30064

(57) **CLAIM**

The ornamental design for a motorcycle floorboard, as shown and described.

(\*\*) Term: **14 Years**

(21) Appl. No.: **29/328,535**

(22) Filed: **Nov. 25, 2008**

(51) **LOC (9) Cl.** ..... **12-11**

(52) **U.S. Cl.** ..... **D12/114**

(58) **Field of Classification Search** ..... D12/114,  
D12/122, 125, 203, 110; 280/288.4, 291,  
280/163, 164.1, 164.2, 169; 74/564, 478,  
74/512, 560, 562.5, 594.4, 594.7, 473.16,  
74/478.5; 296/75; 180/90.6, 219, 220

See application file for complete search history.

(56) **References Cited**

U.S. PATENT DOCUMENTS

1,508,289	A *	9/1924	Oliver	.....	74/564
4,174,852	A *	11/1979	Panzica et al.	.....	280/291
D270,823	S *	10/1983	Mounts	.....	D12/114
6,719,316	B1 *	4/2004	Anthony	.....	280/291
D531,092	S *	10/2006	Stahel et al.	.....	D12/114

\* cited by examiner

*Primary Examiner*—Cathron C Brooks

*Assistant Examiner*—Linda Brooks

**DESCRIPTION**

FIG. 1 is a top perspective view of a motorcycle floorboard; FIG. 2 is a bottom perspective view of the motorcycle floorboard of FIG. 1;

FIG. 3 is a front side elevational view of the motorcycle floorboard of FIG. 1;

FIG. 4 is a left side elevational view of the motorcycle floorboard of FIG. 1; the right side elevational view being a mirror image of the left side elevational view;

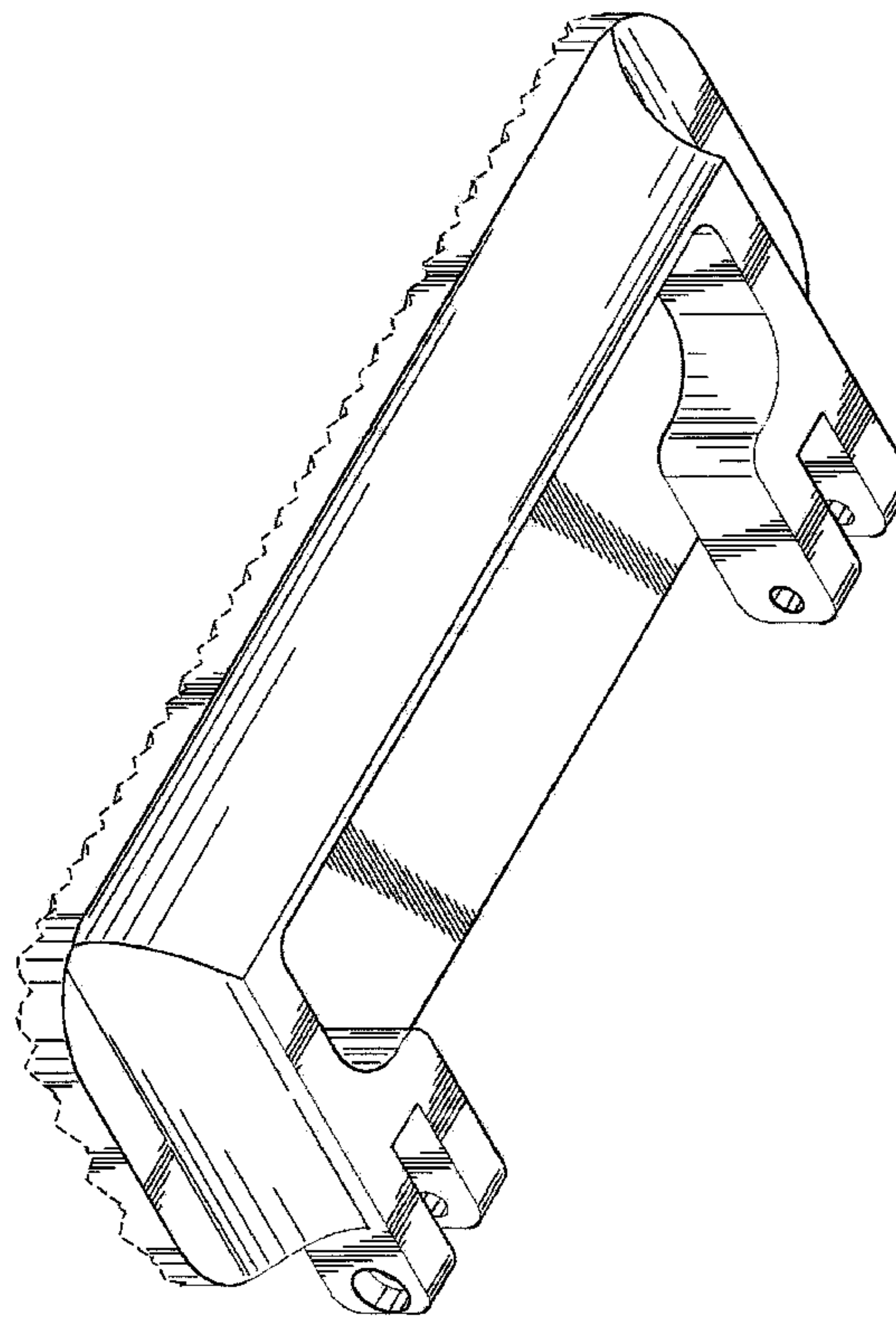
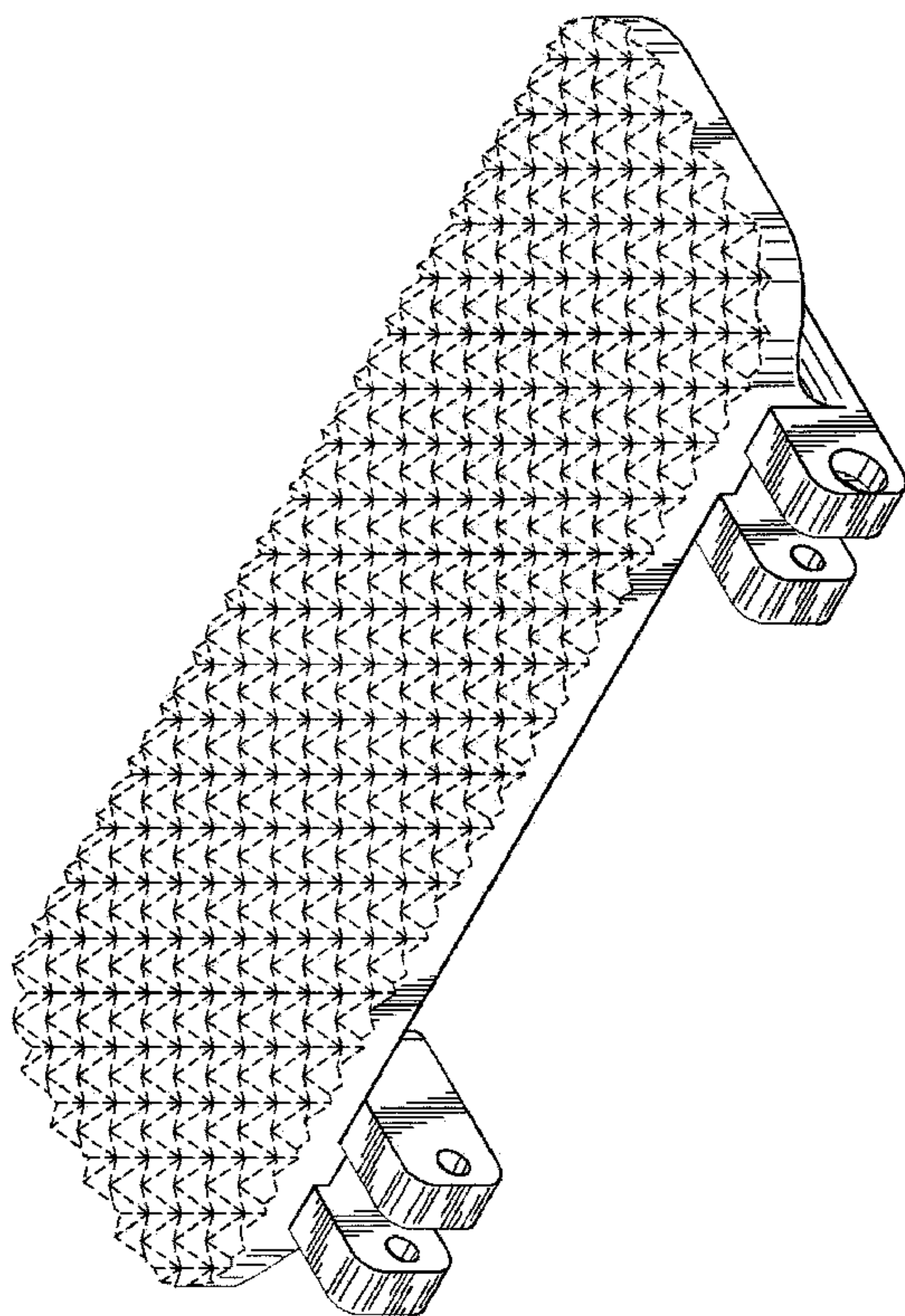
FIG. 5 is a rear side elevational view of the motorcycle floorboard of FIG. 1;

FIG. 6 is a top elevational view of the motorcycle floorboard of FIG. 1; and,

FIG. 7 is a bottom elevational view of the motorcycle floorboard of FIG. 1.

The broken lines shown in FIGS. 1–6 represent portions of the motorcycle floorboard that form no part of the claimed design.

**1 Claim, 5 Drawing Sheets**



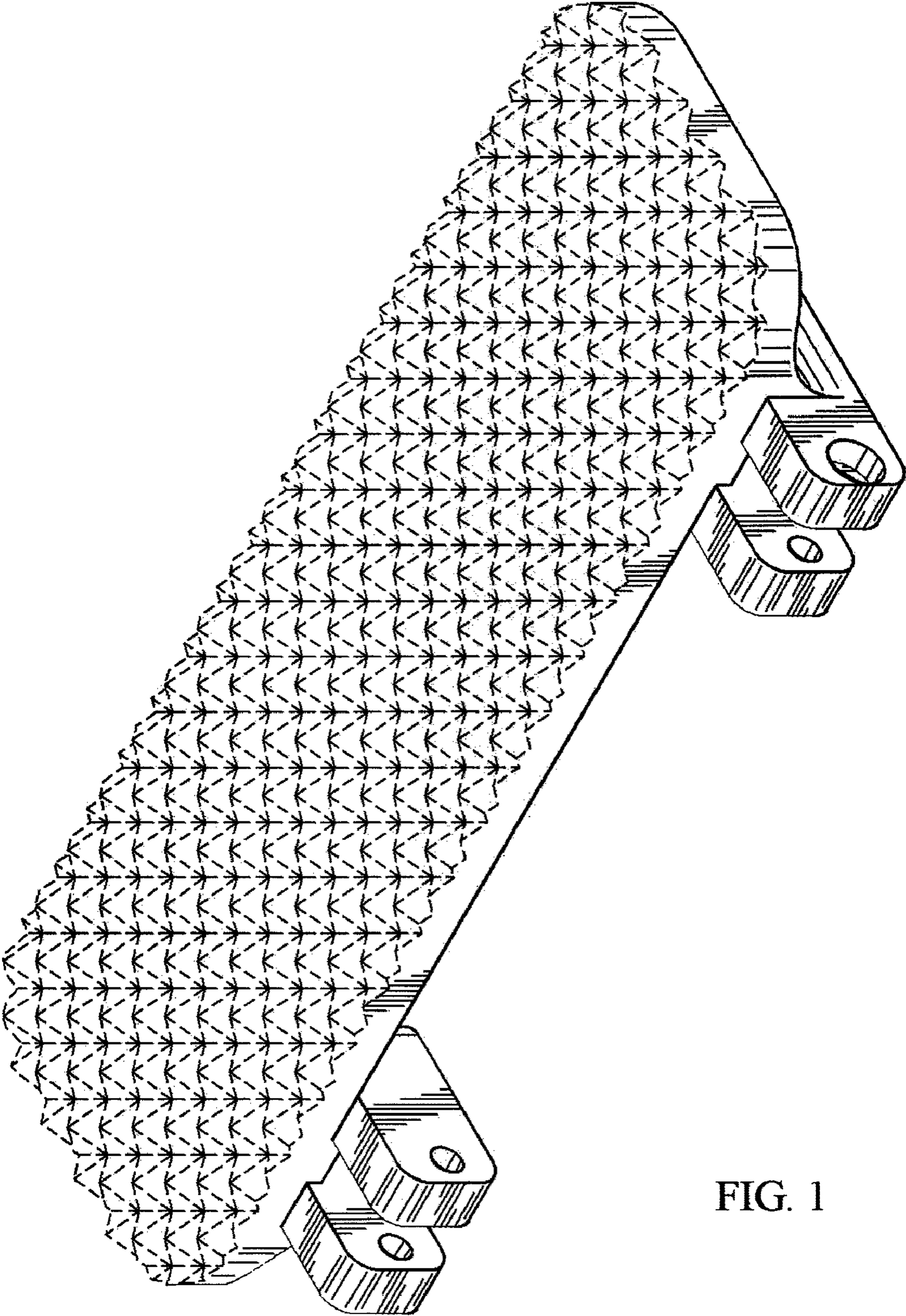


FIG. 1



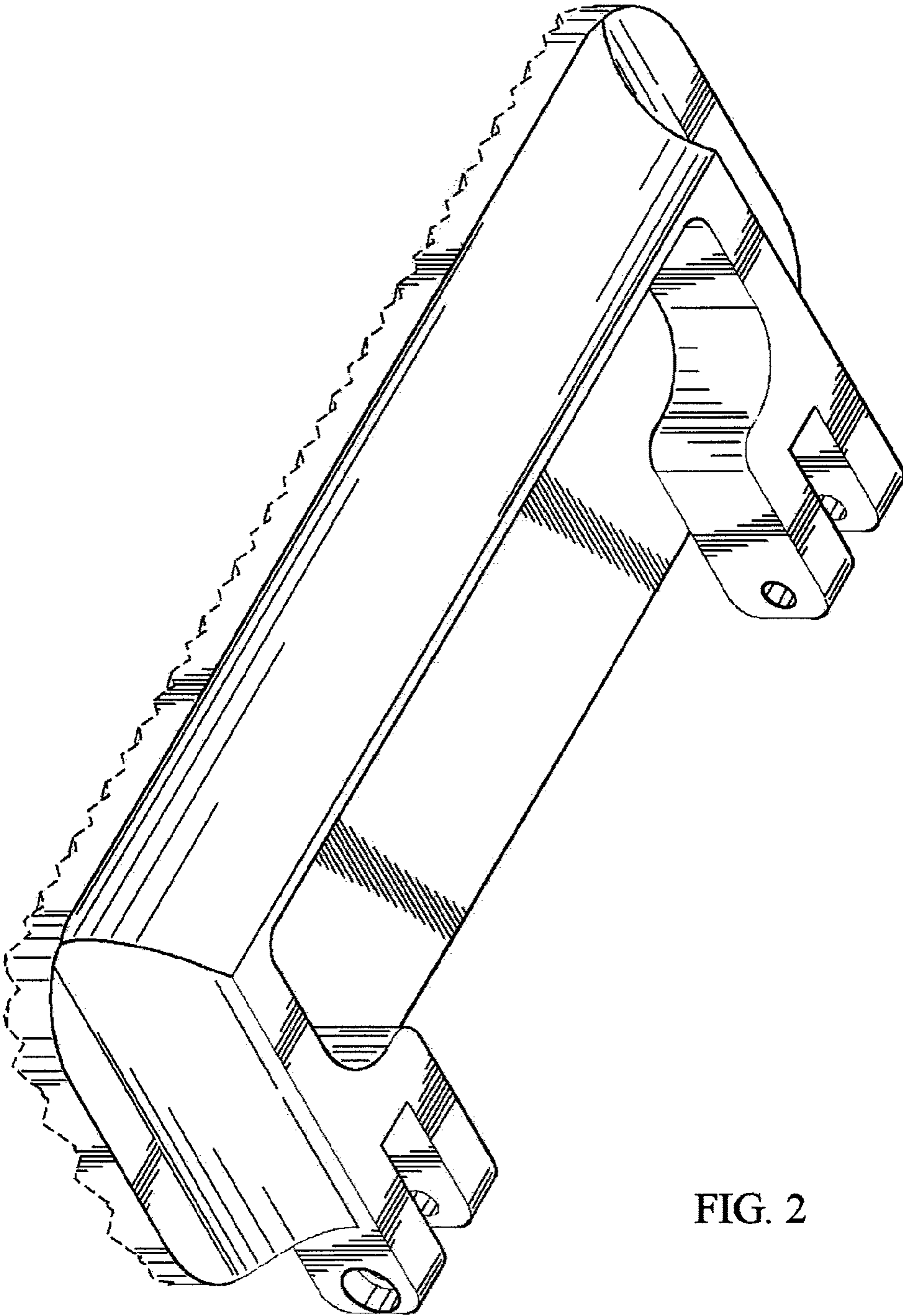


FIG. 2

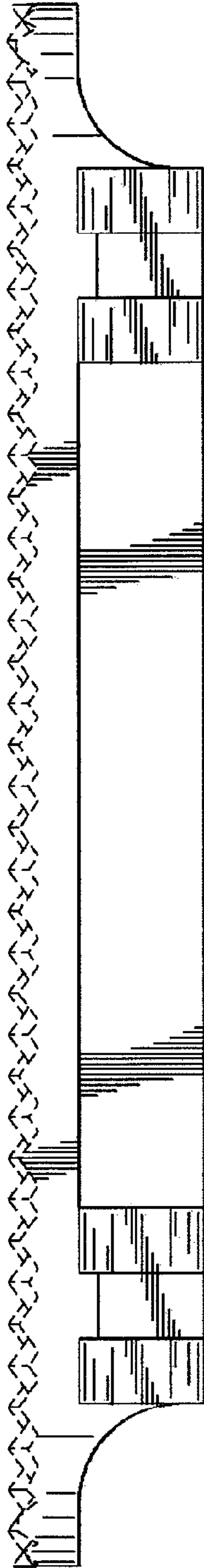


FIG. 5

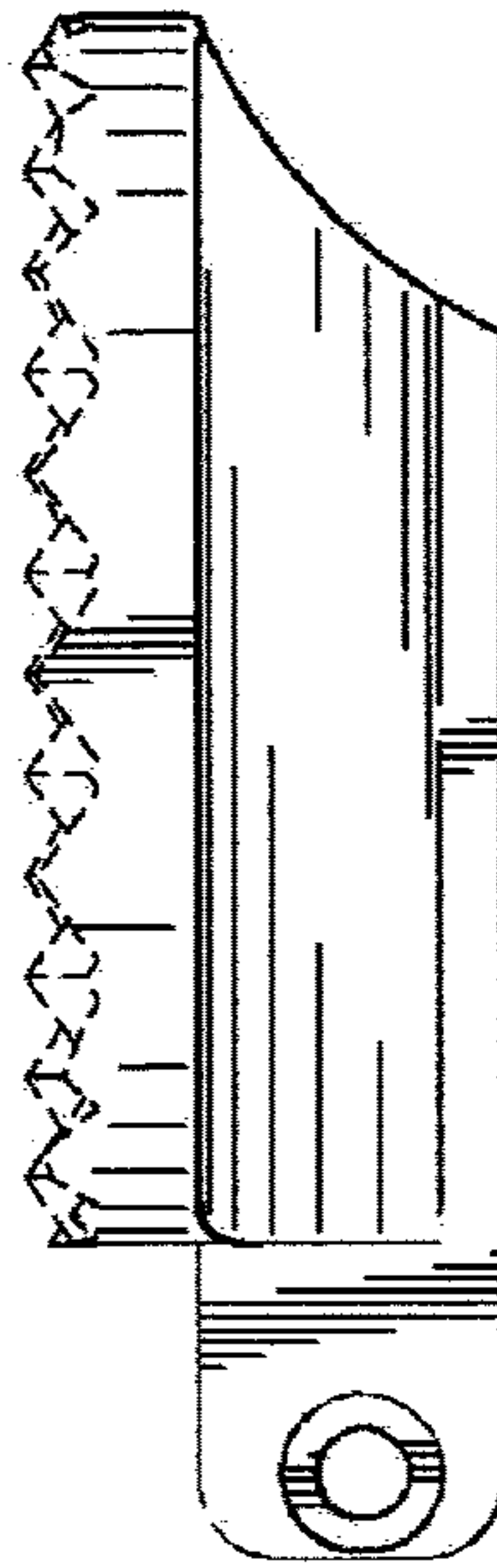


FIG. 4

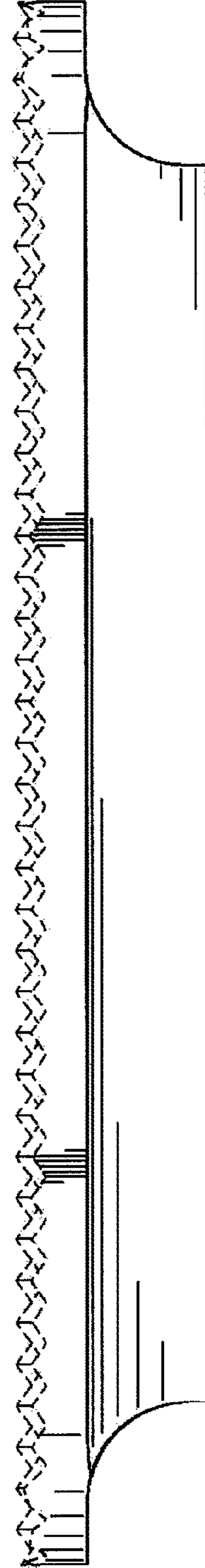


FIG. 3

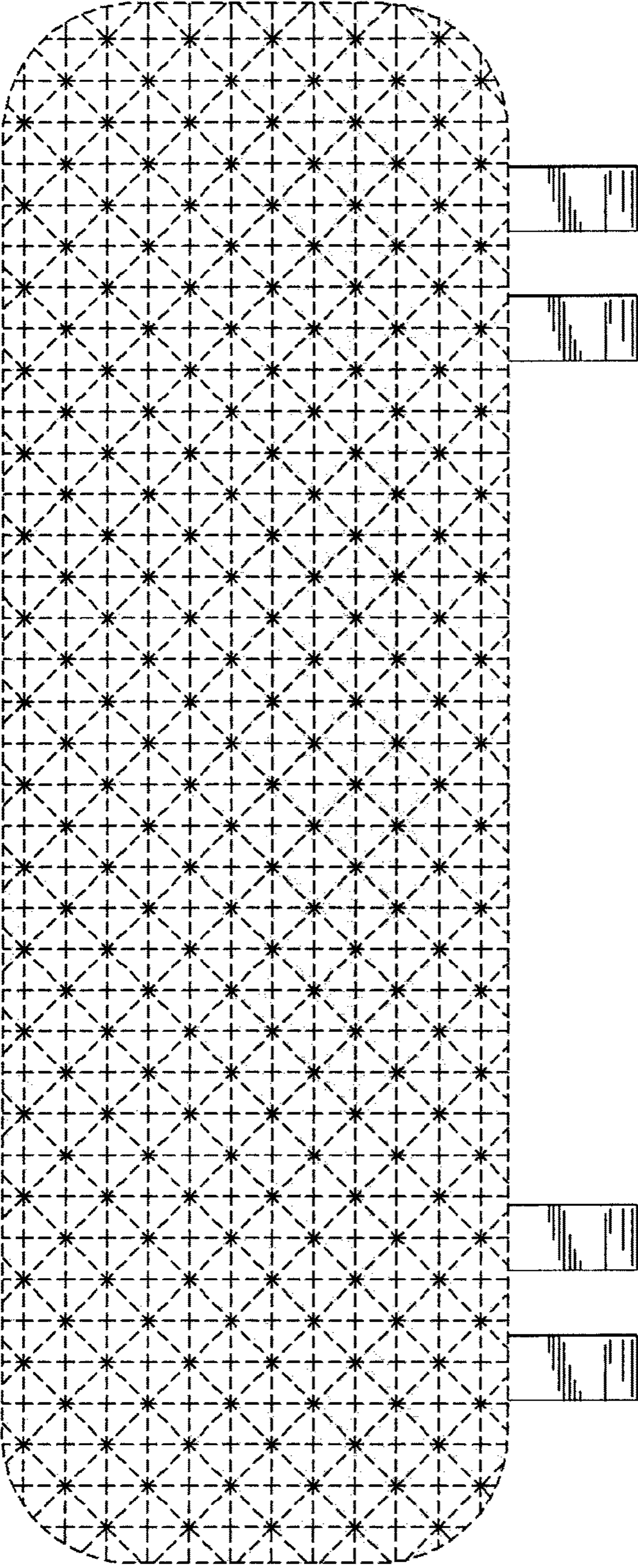


FIG. 6



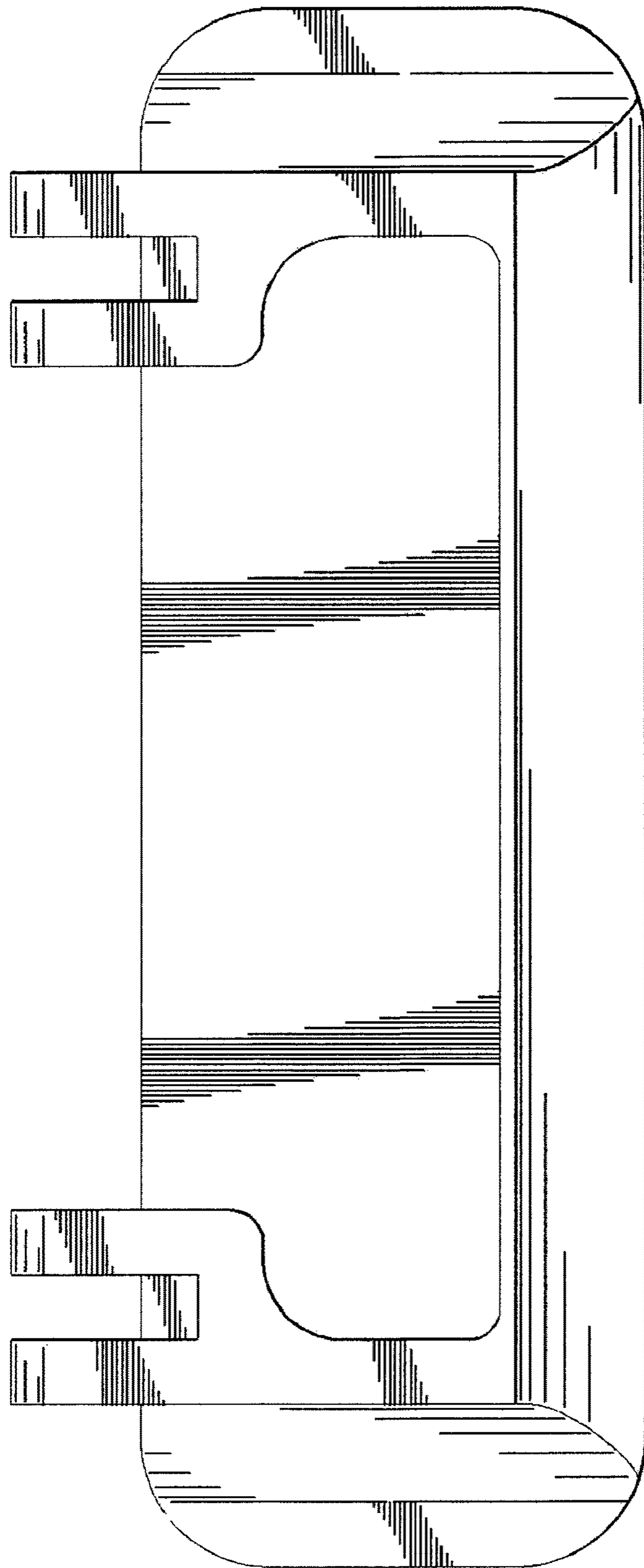


FIG. 7