



US00D602816S

(12) **United States Design Patent**
Lin et al.

(10) **Patent No.:** **US D602,816 S**

(45) **Date of Patent:** **** Oct. 27, 2009**

(54) **MOTORCYCLE**

(75) Inventors: **Cheng-Wei Lin**, Kaohsiung (TW);
Kuo-Feng Huang, Kaohsiung (TW);
Tzu-Pei Chen, Kaohsiung (TW)

(73) Assignee: **Kwang Yang Motor Co., Ltd**, Sanmin
District, Kaohsiung (TW)

(**) Term: **14 Years**

(21) Appl. No.: **29/332,848**

(22) Filed: **Feb. 26, 2009**

(30) **Foreign Application Priority Data**

Sep. 29, 2008 (TW) 97305602

(51) **LOC (9) Cl.** **12-11**

(52) **U.S. Cl.** **D12/110**

(58) **Field of Classification Search** D12/110;
180/219, 220

See application file for complete search history.

(56) **References Cited**

OTHER PUBLICATIONS

2003 Piaggio Vespa ET4. [Retrieved on Jul. 24, 2009]. Retrieved
from the Internet <URL: [http://images.google.com/
imgres?imgurl=http://bike-exchange.com/images/
30030801_sma...>](http://images.google.com/imgres?imgurl=http://bike-exchange.com/images/30030801_sma...).*

2006 Aprilia Atlantic 125 Grey top box super scooter. [Retrieved on
Jul. 27, 2009]. Retrieved from the Internet <URL: [http://www.
gumtree.com/london/77/41389677.html](http://www.gumtree.com/london/77/41389677.html)>. Pictured on p. 2 of 3.*

* cited by examiner

Primary Examiner—Cathron C Brooks

Assistant Examiner—Linda G. Brooks

(74) *Attorney, Agent, or Firm*—Vedder Price P.C.

(57) **CLAIM**

The ornamental design for a motorcycle, as shown and
described.

DESCRIPTION

FIG. 1 is a perspective view of a motorcycle showing my new
design;

FIG. 2 is a front elevational view thereof;

FIG. 3 is a rear elevational view thereof;

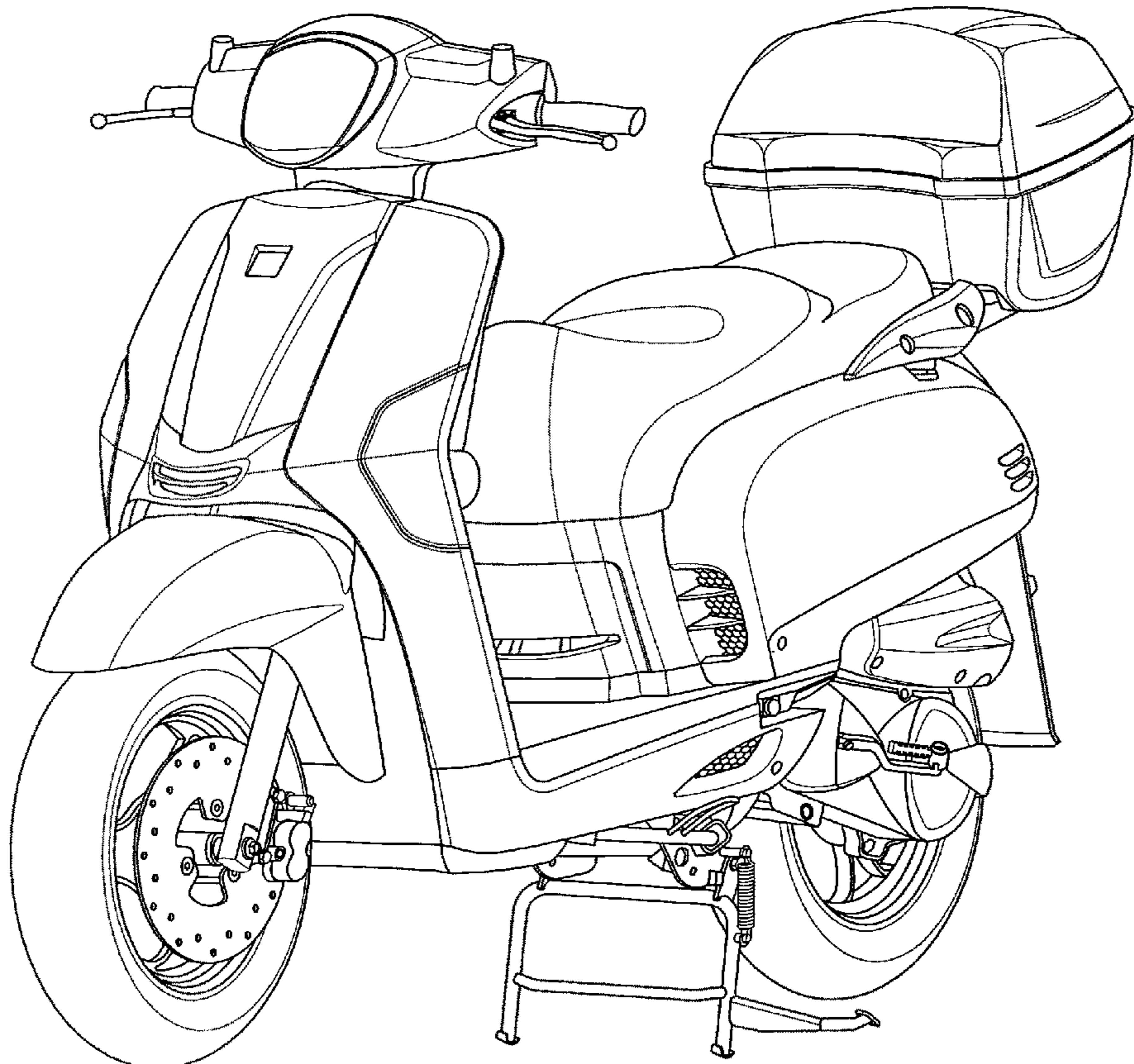
FIG. 4 is a left side elevational view thereof;

FIG. 5 is a right side elevational view thereof;

FIG. 6 is a top plan view thereof; and,

FIG. 7 is a bottom plan view thereof.

1 Claim, 6 Drawing Sheets



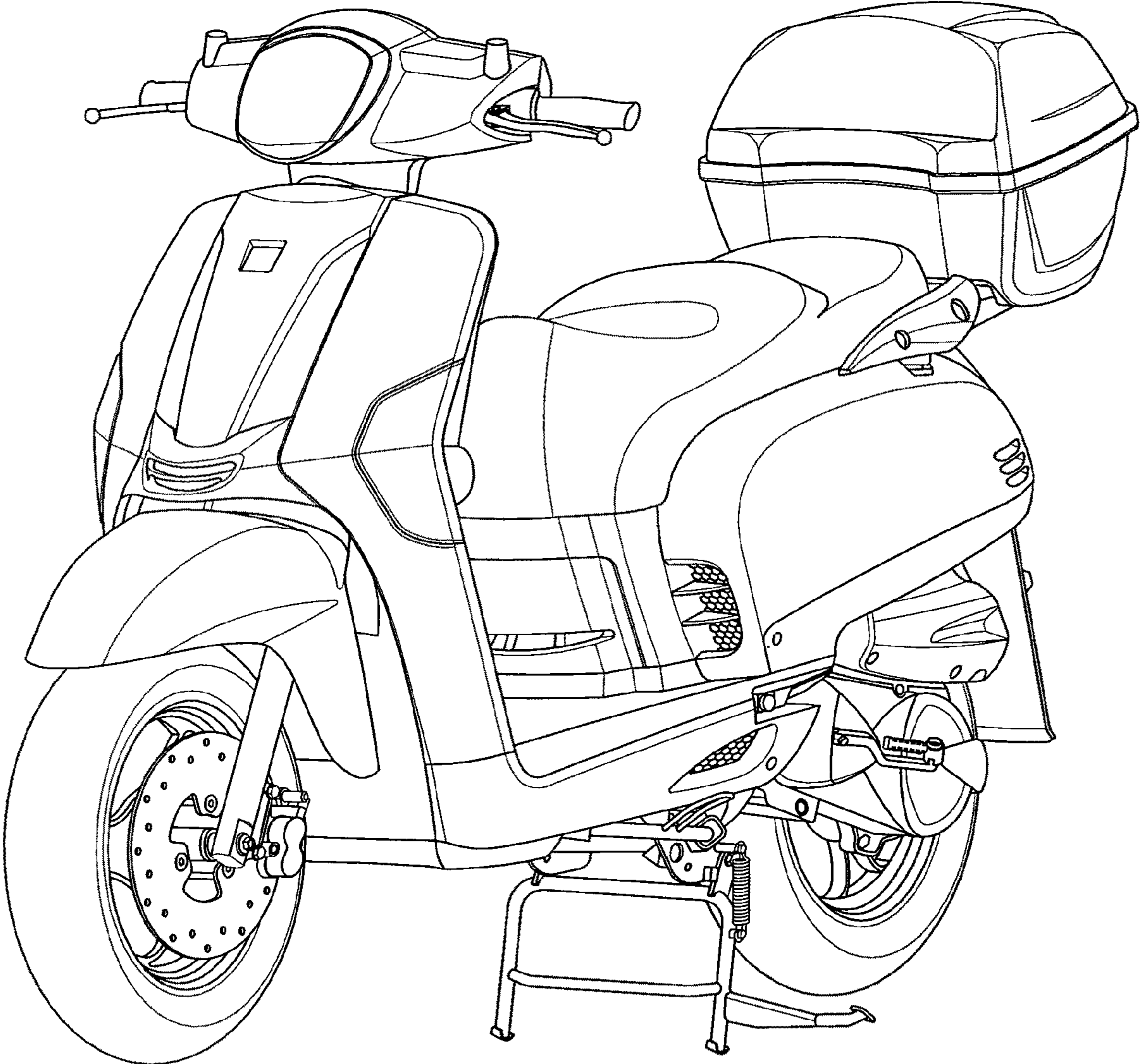


FIG. 1

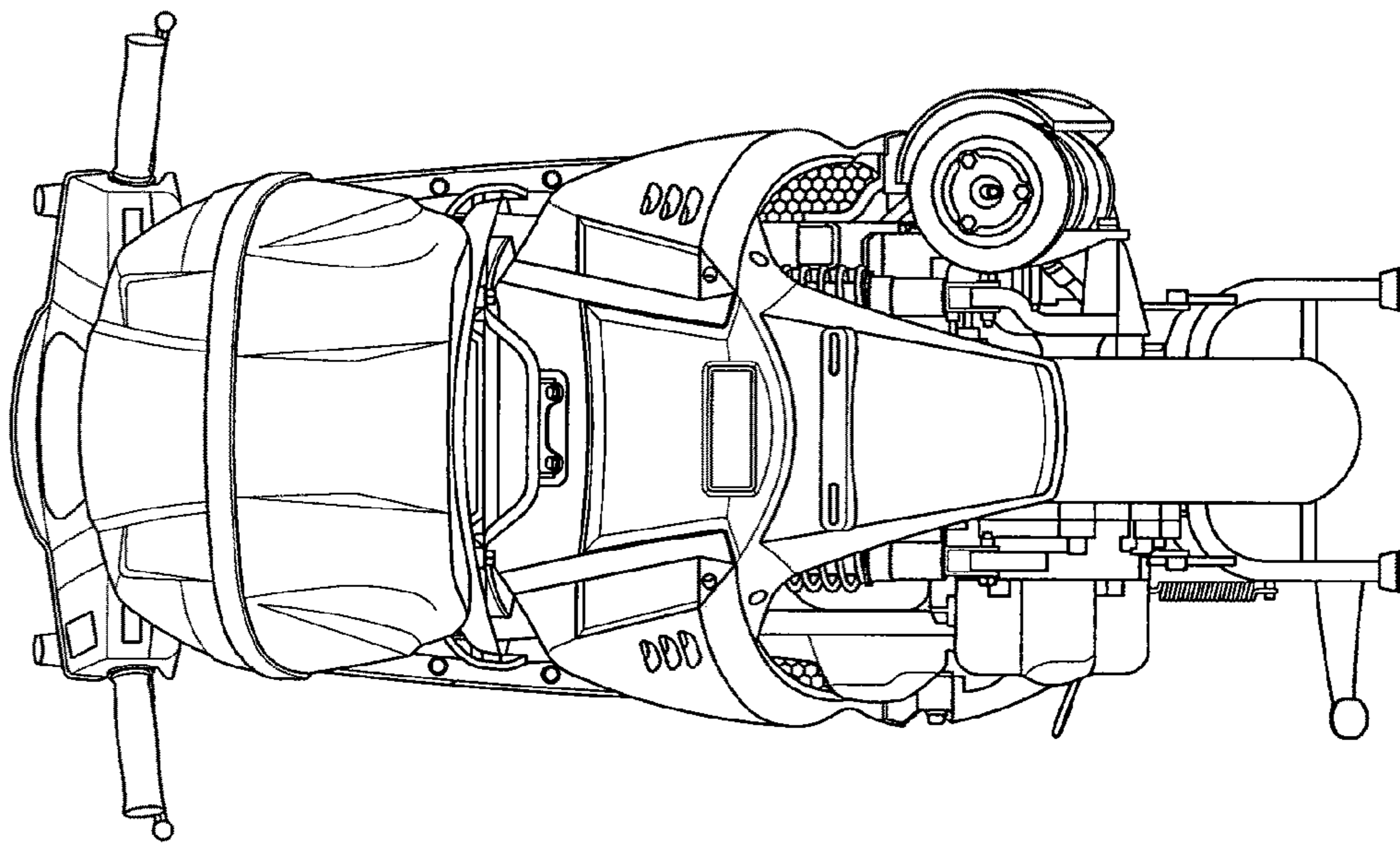


FIG. 2

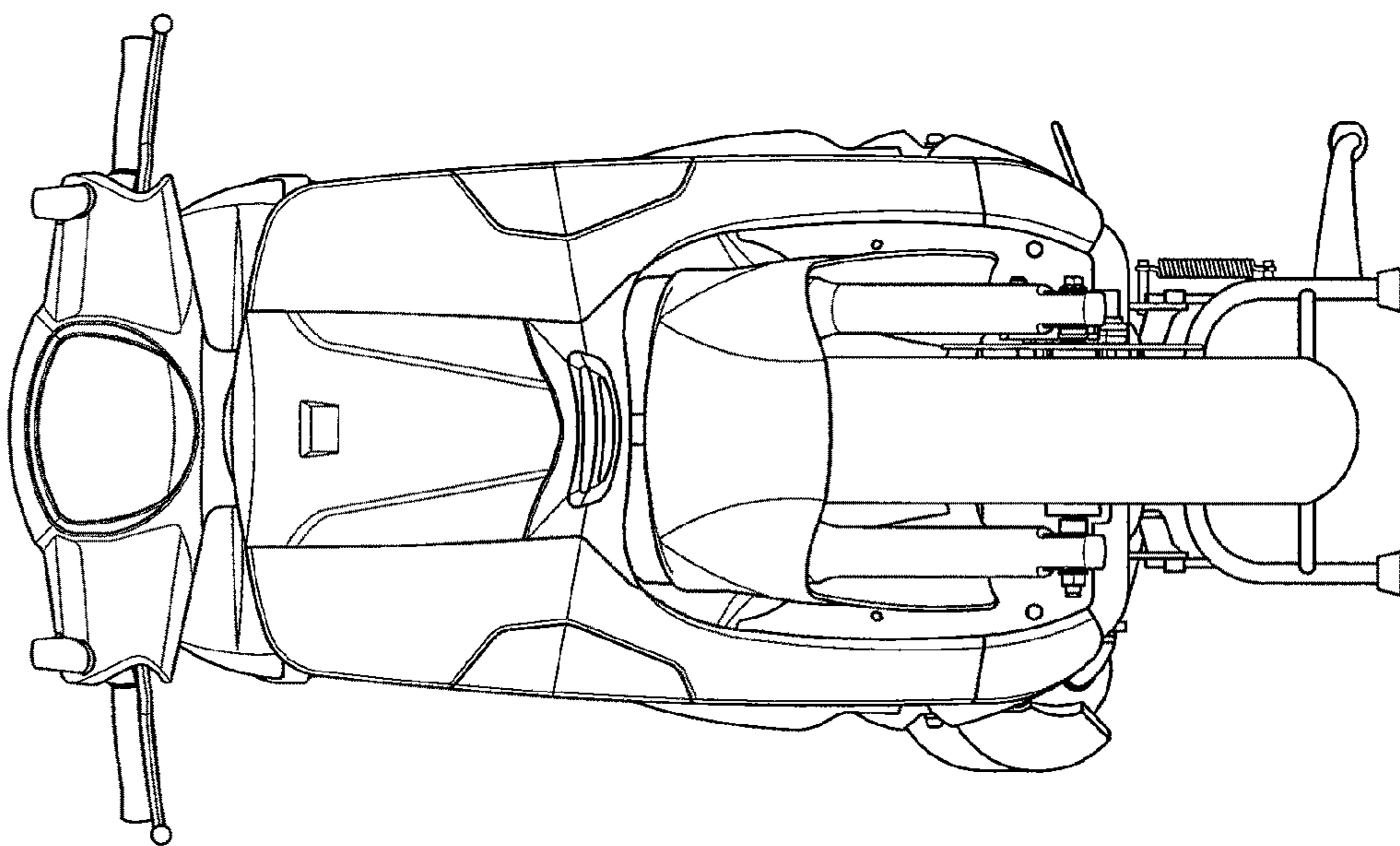


FIG. 3

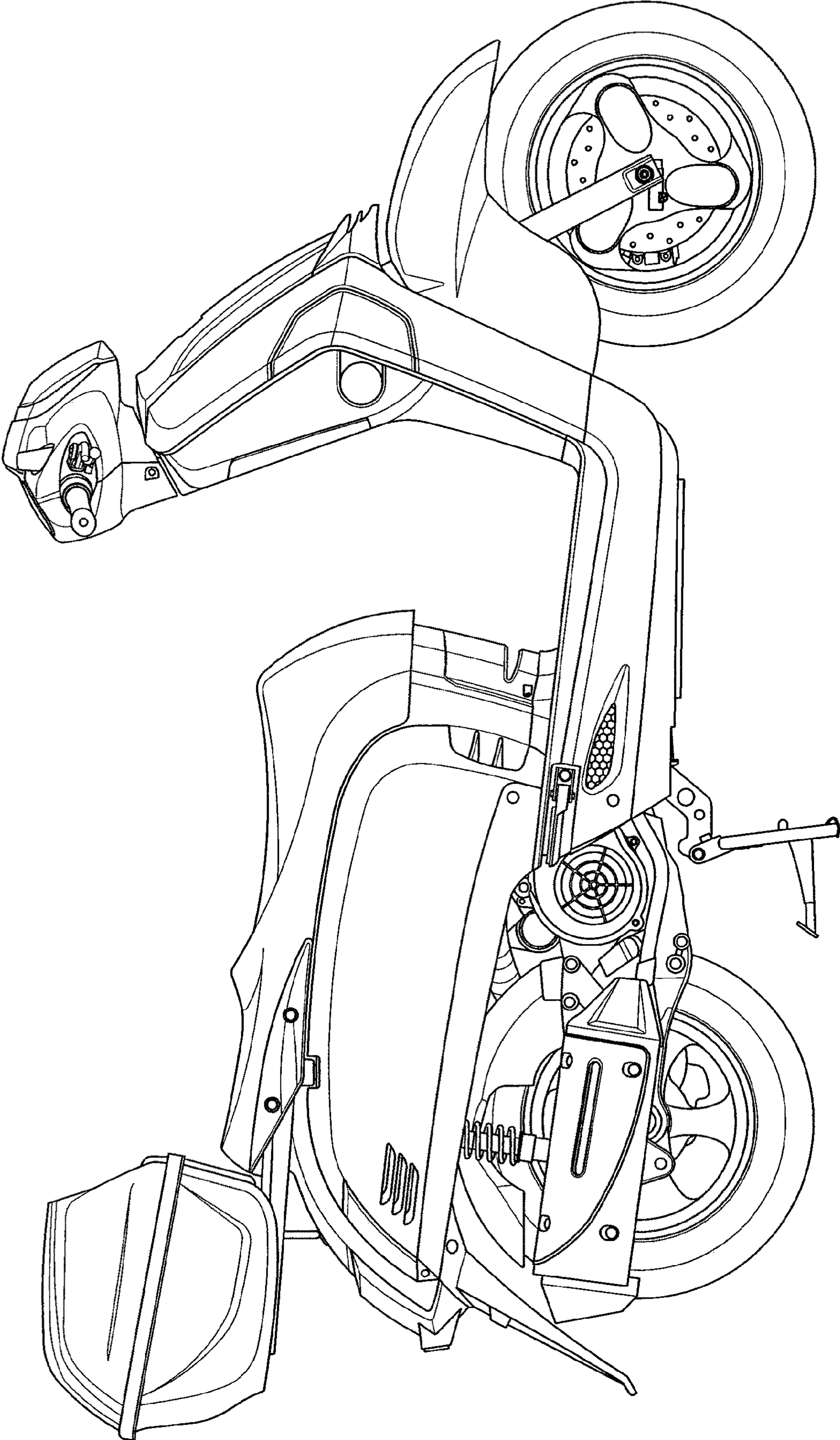


FIG. 4

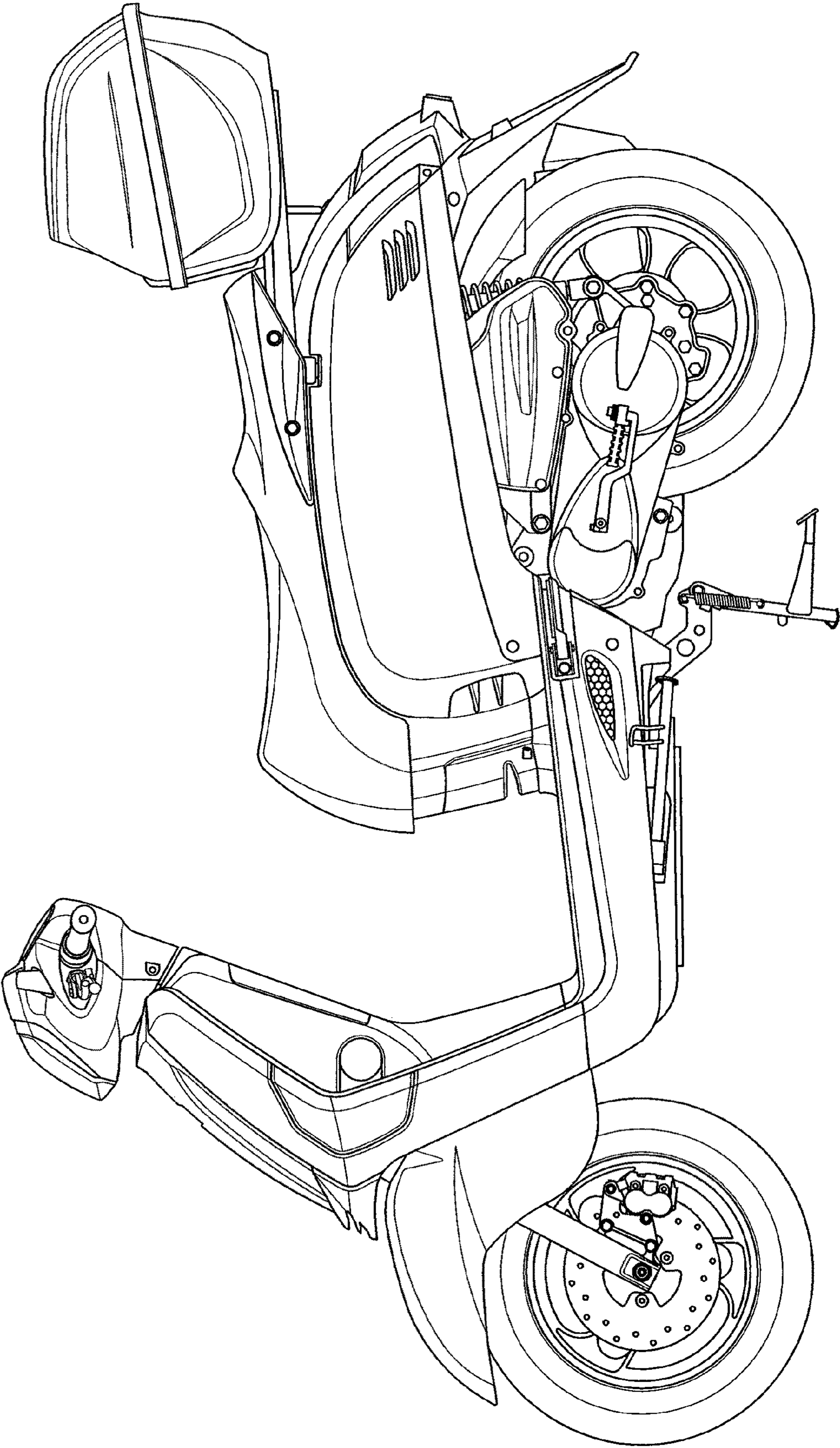


FIG. 5

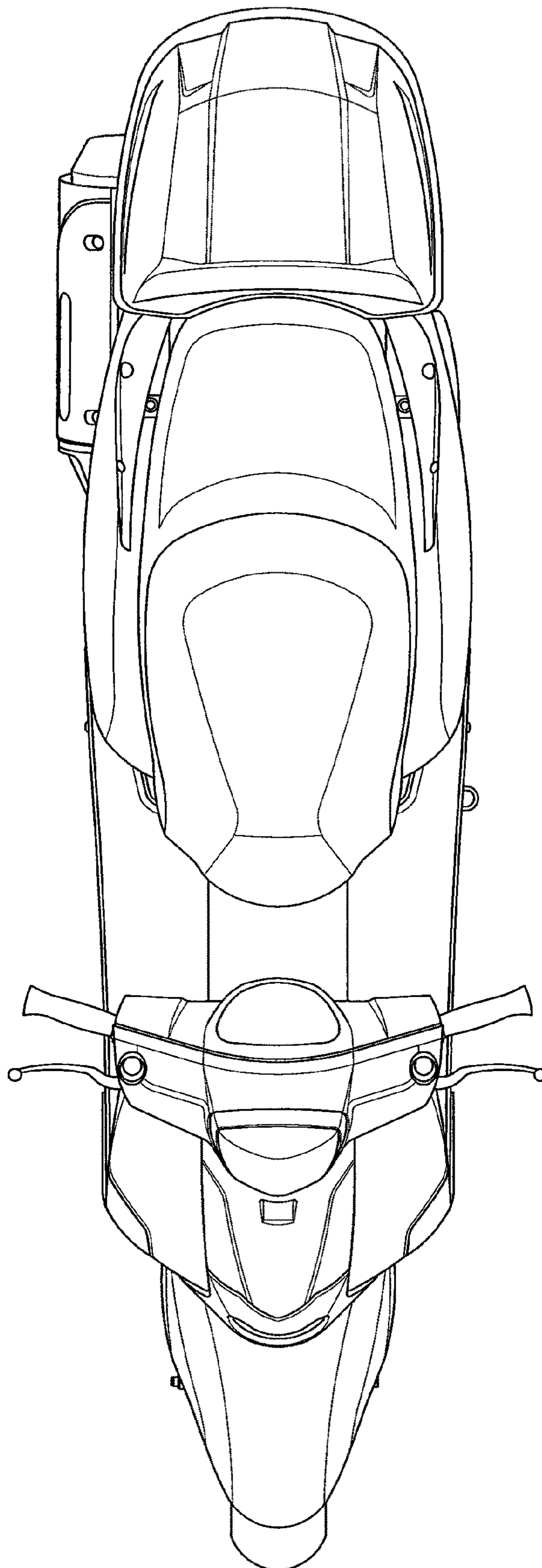


FIG. 6

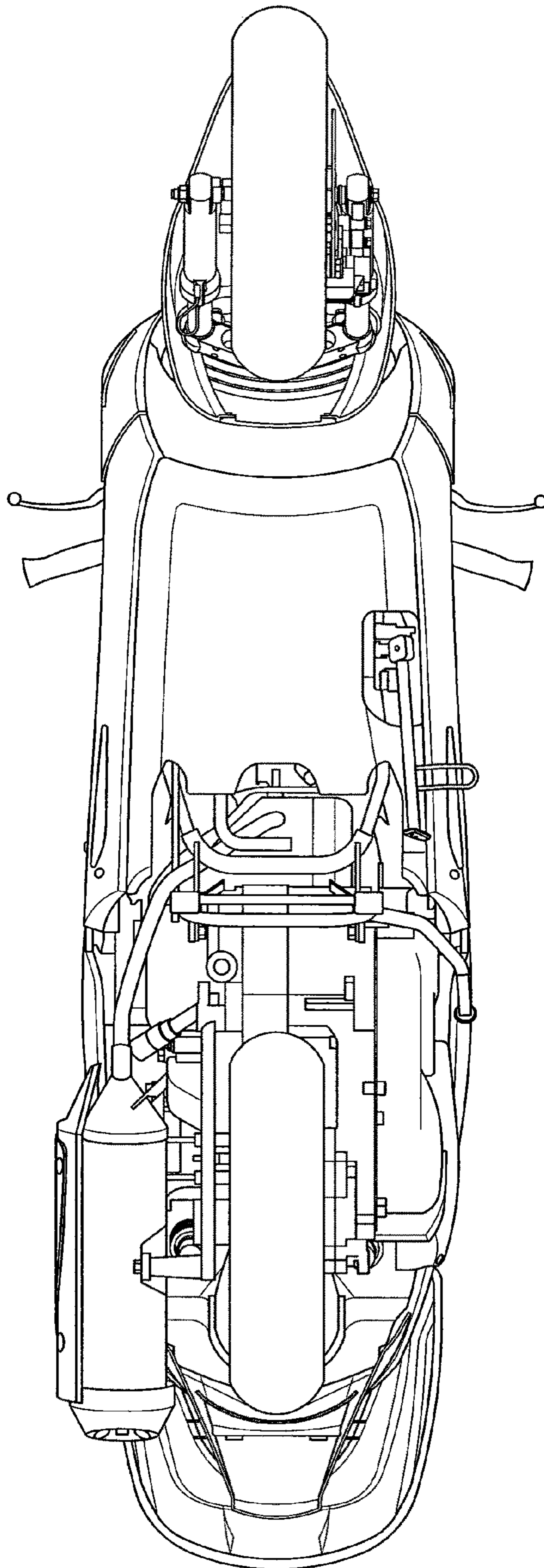


FIG. 7