



US00D602815S

(12) **United States Design Patent**
Lin et al.

(10) **Patent No.:** **US D602,815 S**

(45) **Date of Patent:** **** Oct. 27, 2009**

(54) **ELECTRIC SCOOTER**

(75) Inventors: **Cheng-Wei Lin**, Kaohsiung (TW);
Li-Jen Lin, Kaohsiung (TW)

(73) Assignee: **Kwang Yang Motor Co., Ltd.**,
Kaohsiung (TW)

(**) Term: **14 Years**

(21) Appl. No.: **29/332,442**

(22) Filed: **Feb. 17, 2009**

(30) **Foreign Application Priority Data**

Aug. 29, 2008 (TW) 97305012

(51) **LOC (9) Cl.** **12-11**

(52) **U.S. Cl.** **D12/110**

(58) **Field of Classification Search** D12/110;
180/219, 220

See application file for complete search history.

(56) **References Cited**

U.S. PATENT DOCUMENTS

D287,834 S * 1/1987 Ito et al. D12/110
D490,750 S * 6/2004 Hoshino D12/110
D585,334 S * 1/2009 Chiu et al. D12/110

OTHER PUBLICATIONS

2000 Italia Scooter. [Retrieved on Jul. 23, 2009]. Retrieved from the
Internet <URL: [http://media.photobucket.com/image/2000%20ITALIA%20SCOOTER/Brouhahapics/280...>](http://media.photobucket.com/image/2000%20ITALIA%20SCOOTER/Brouhahapics/280...).*

1997 Honda Scooter. [Retrieved on Jul. 23, 2009]. Retrieved from the
Internet <URL: http://www.honda.co.jp/news/1997/images50_joker.gif>.*

* cited by examiner

Primary Examiner—Cathron C Brooks

Assistant Examiner—Linda G. Brooks

(74) *Attorney, Agent, or Firm*—Leong C. Lei

(57) **CLAIM**

The ornamental design for an electric scooter, as shown and described.

DESCRIPTION

FIG. 1 is a perspective view of an electric scooter showing my new design;

FIG. 2 is a front elevational view thereof;

FIG. 3 is a rear elevational view thereof;

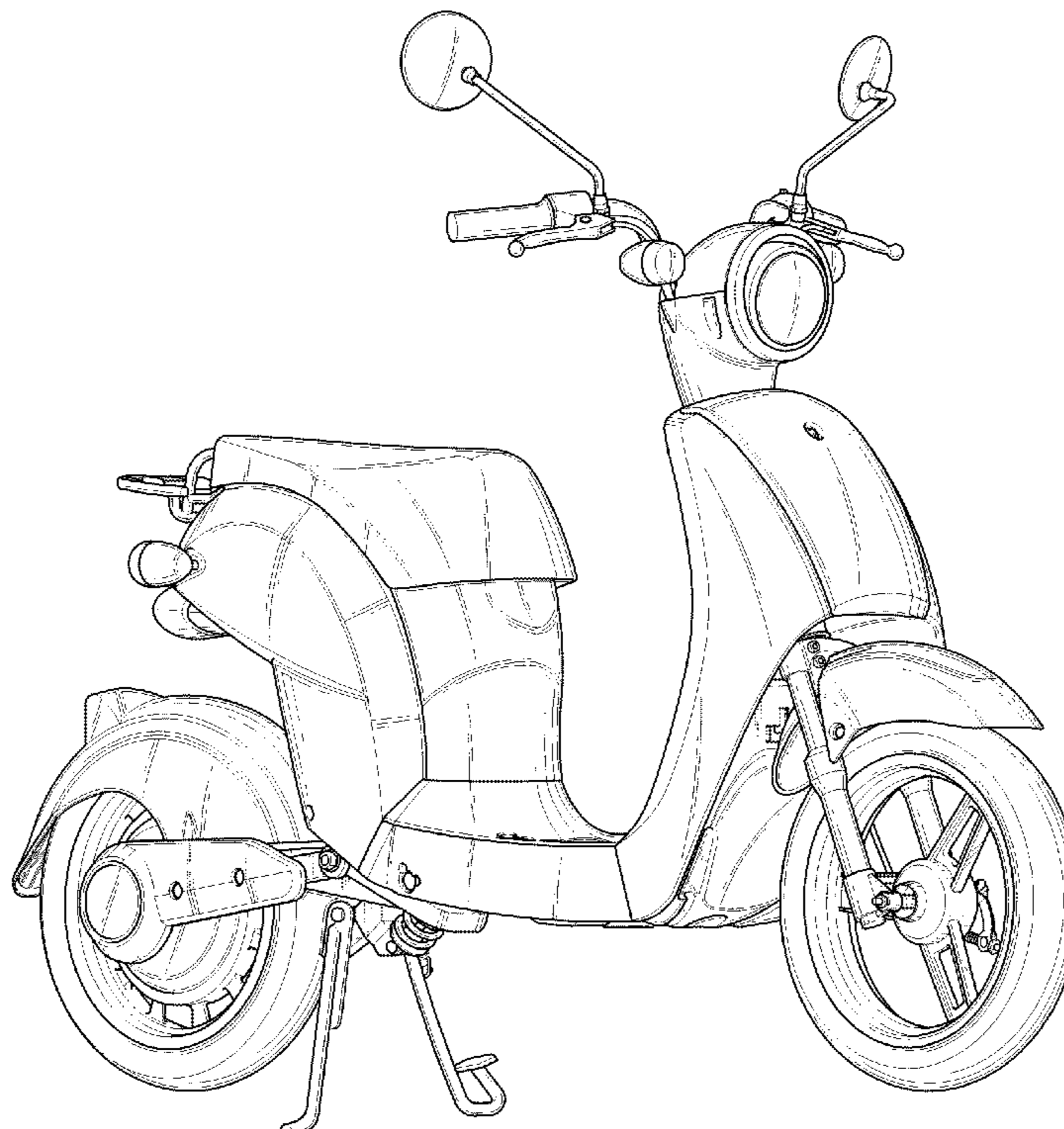
FIG. 4 is a left side elevational view thereof;

FIG. 5 is a right side elevational view thereof;

FIG. 6 is a top plan view thereof; and,

FIG. 7 is a bottom plan view thereof.

1 Claim, 6 Drawing Sheets



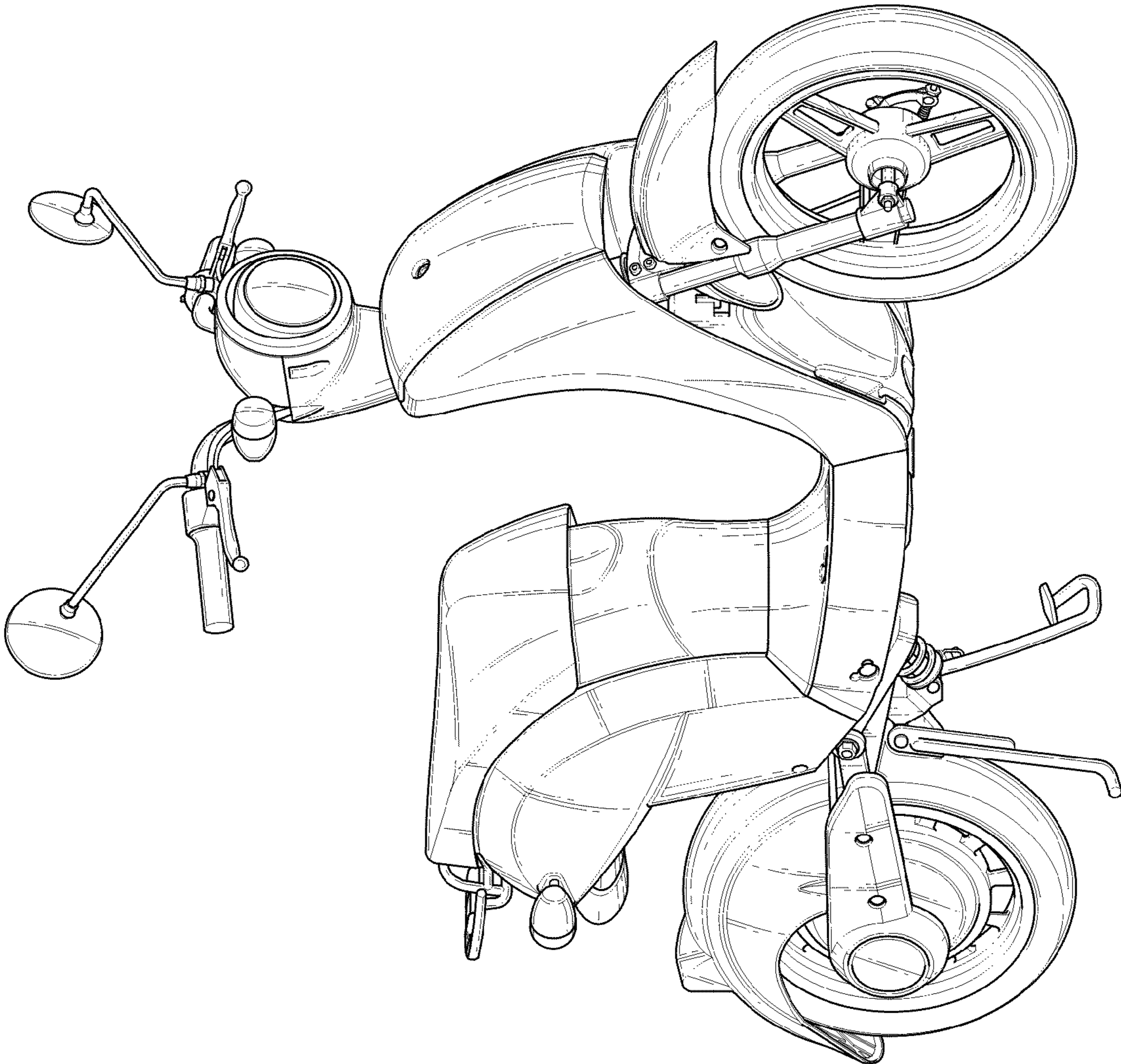


FIG.1

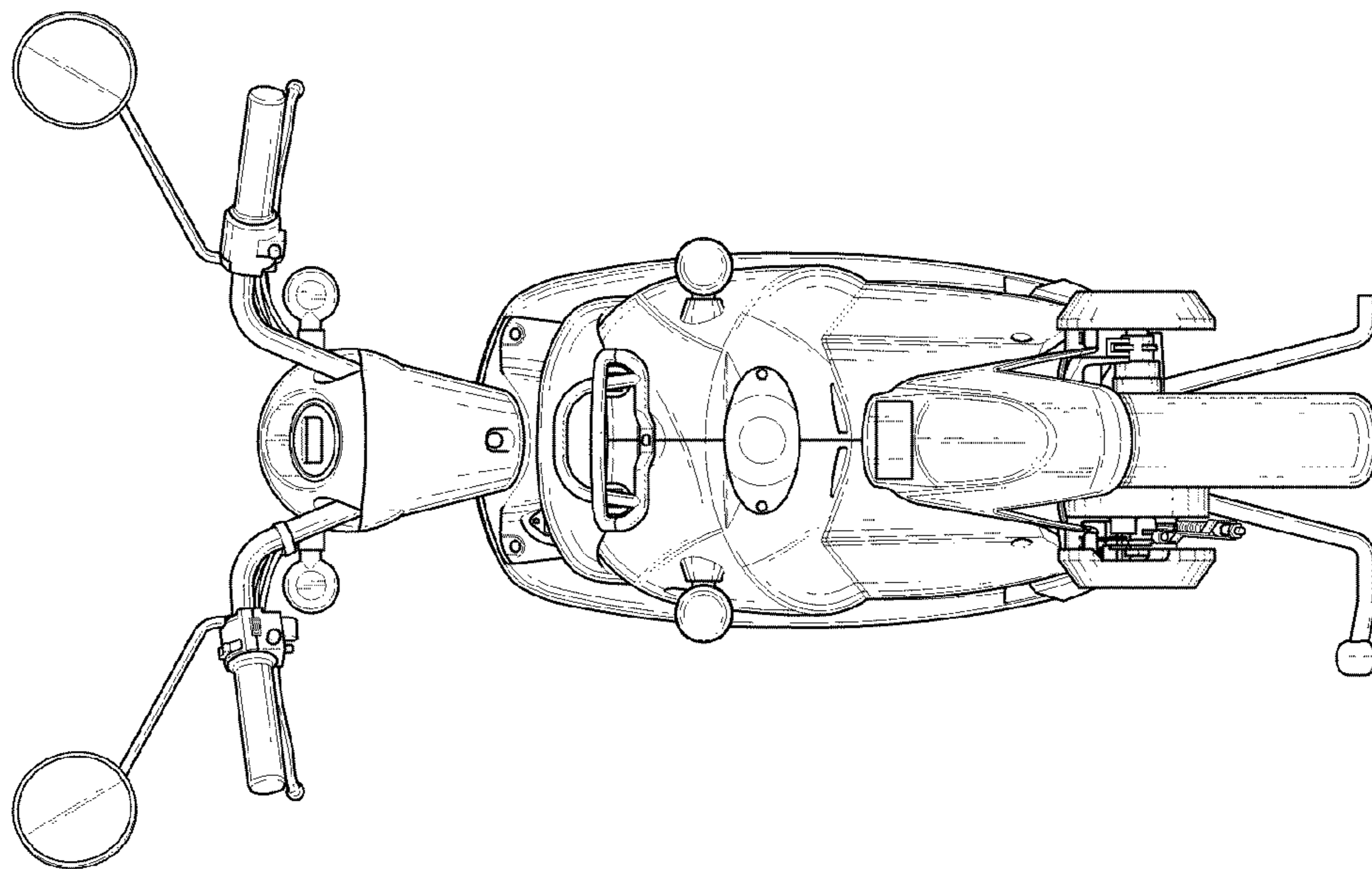


FIG.3

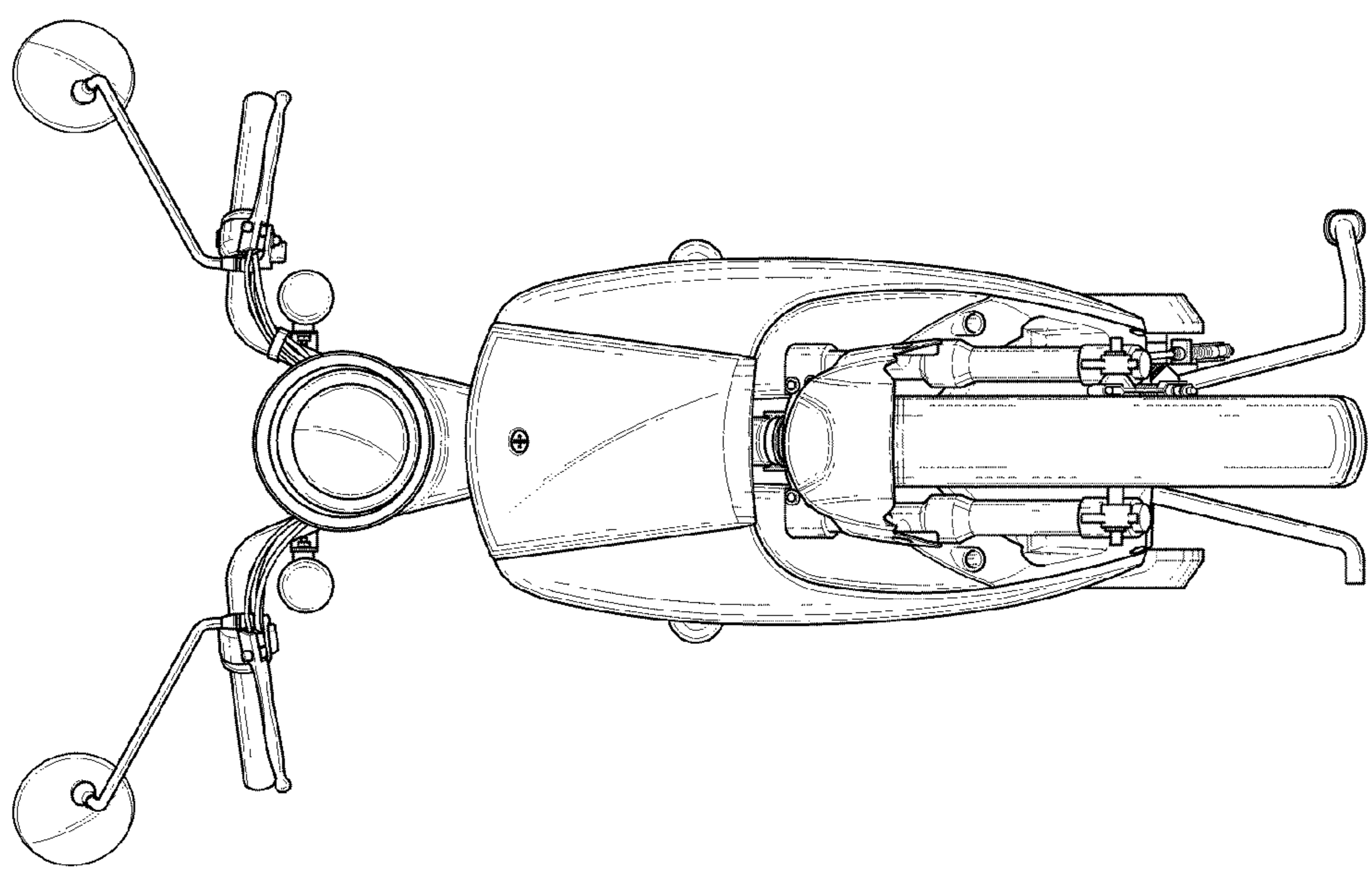


FIG.2

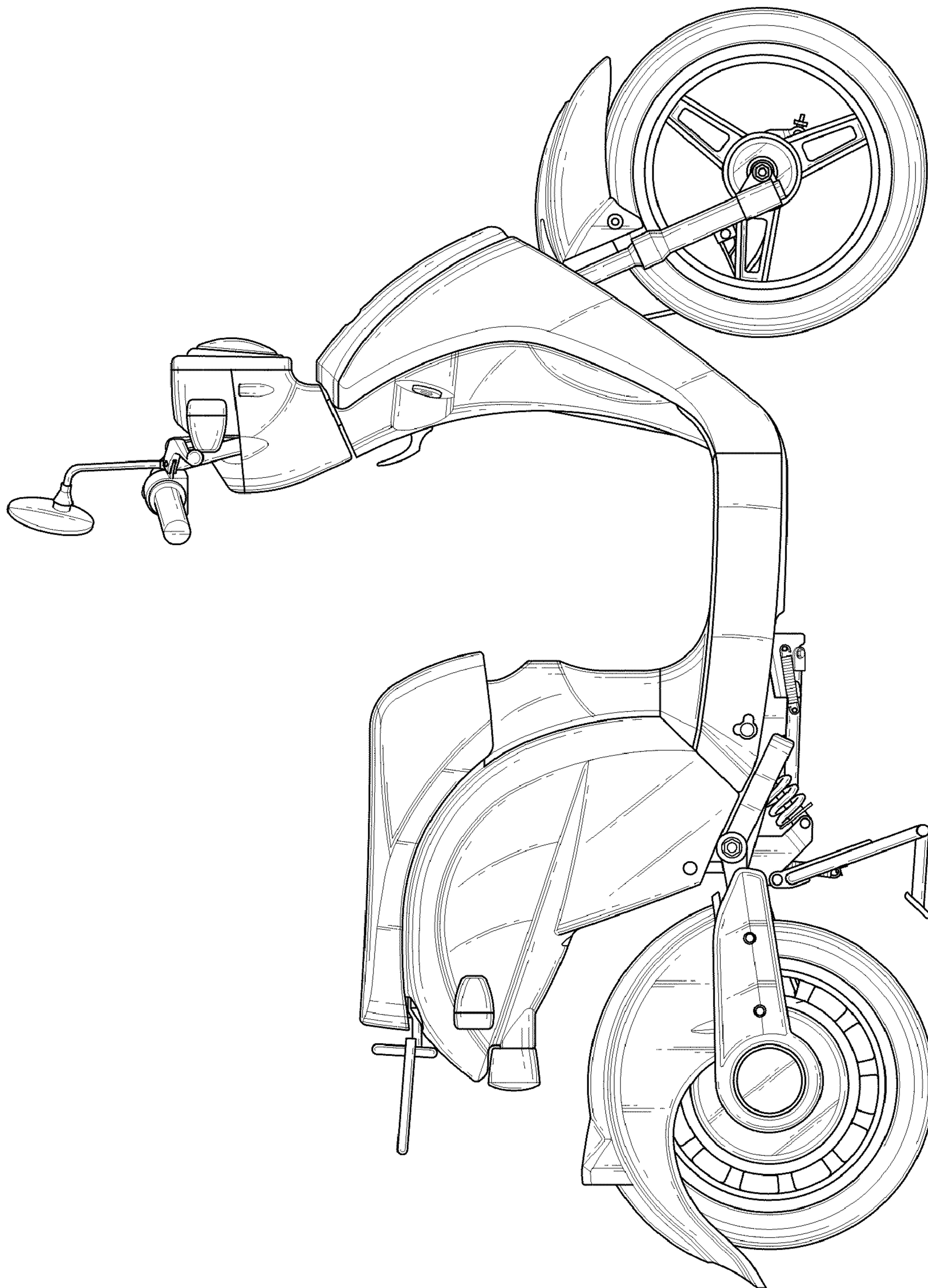


FIG.4

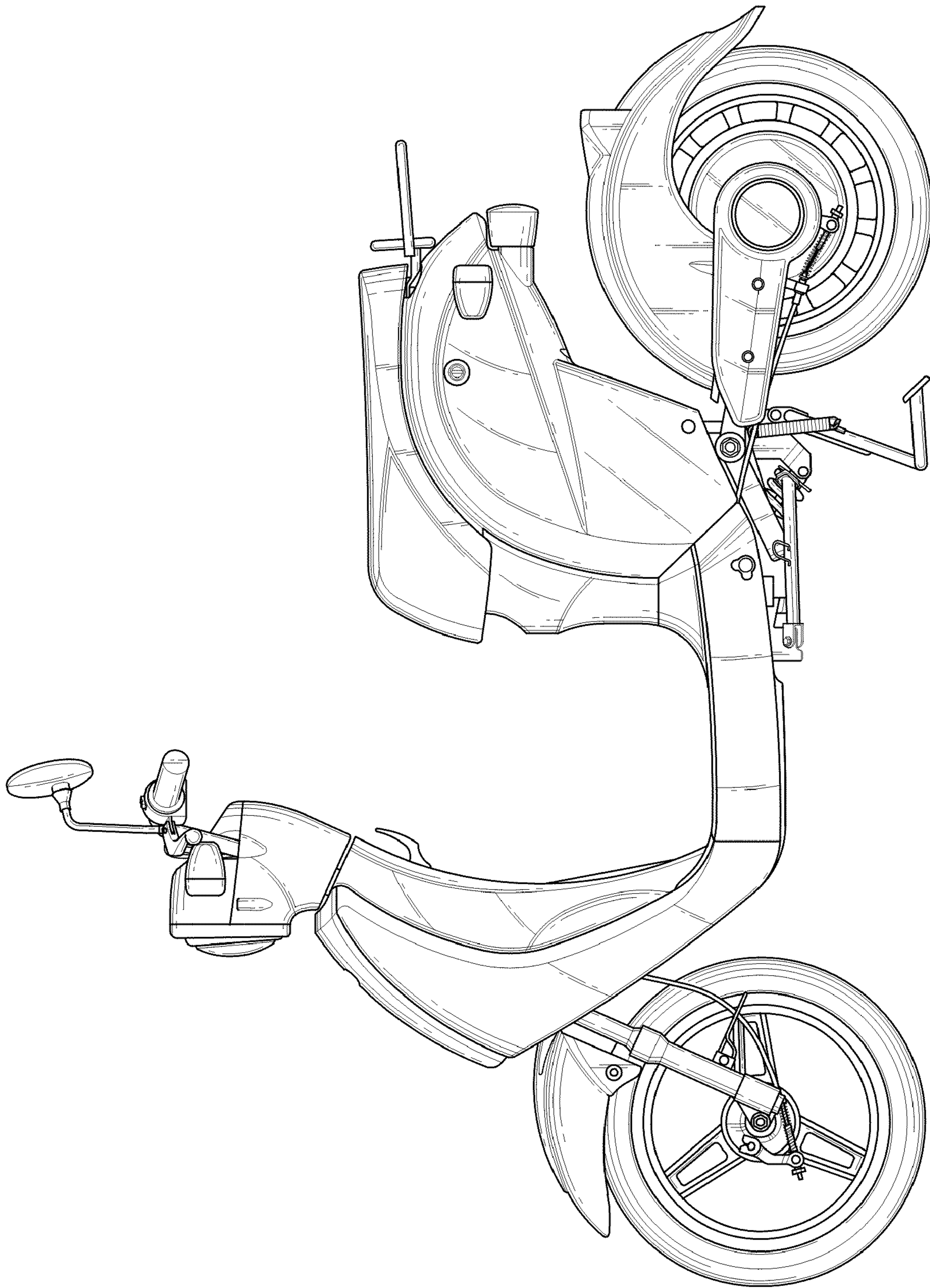


FIG.5

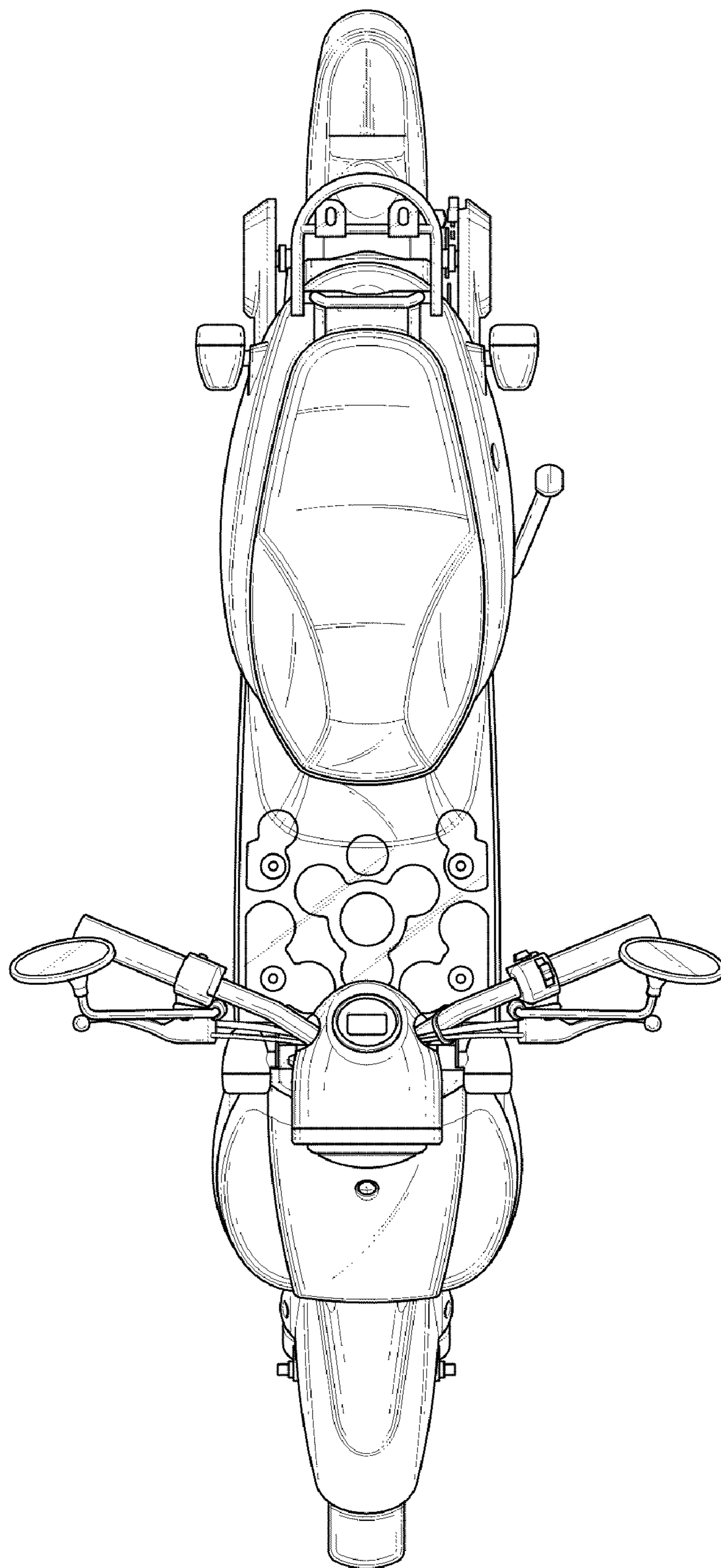


FIG.6

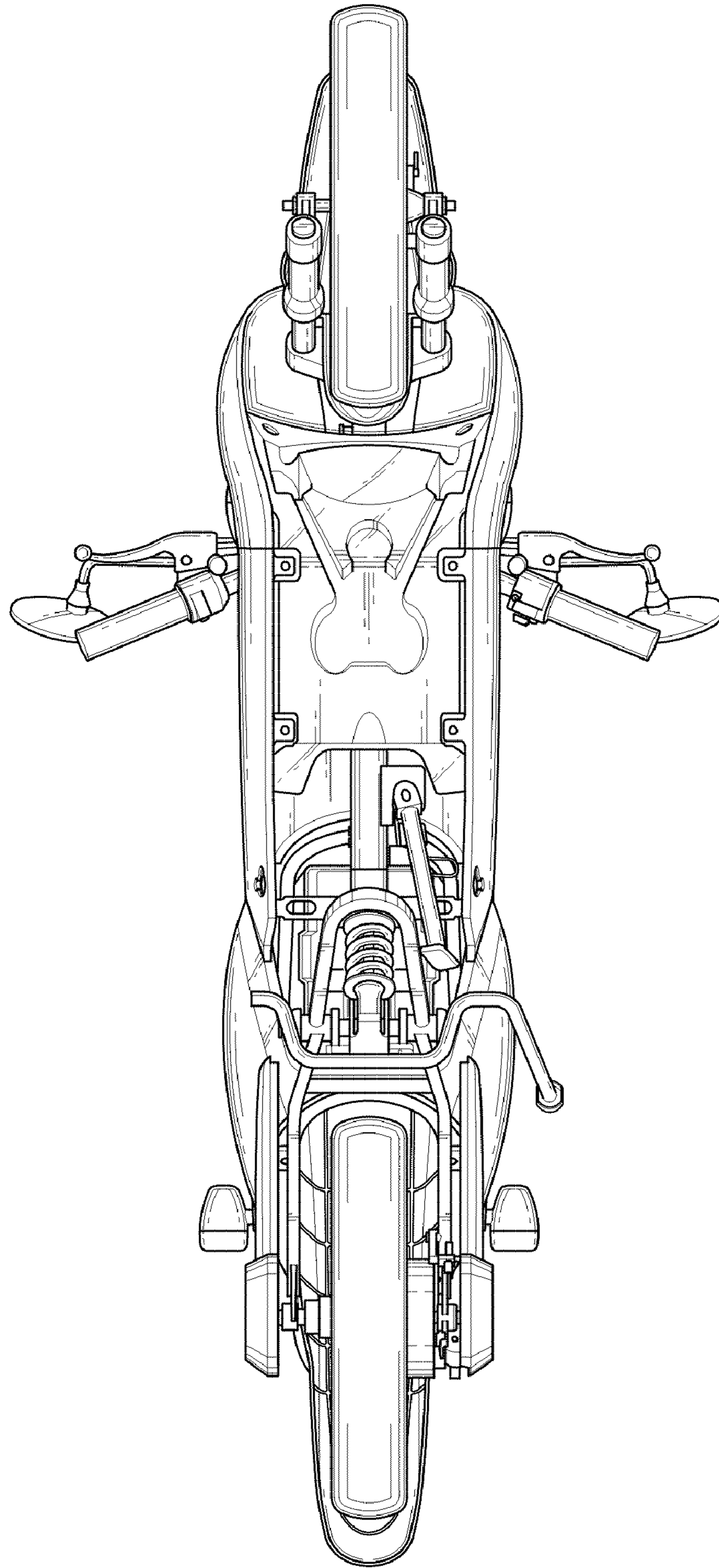


FIG.7