



US00D602813S

(12) **United States Design Patent**
Chao et al.

(10) **Patent No.:** **US D602,813 S**

(45) **Date of Patent:** **** Oct. 27, 2009**

(54) **SCOOTER**

(75) Inventors: **Chin-Wei Chao**, Kaohsiung (TW);
Po-Ching Huang, Kaohsiung (TW);
Chieh-Mao Chang, Kaohsiung (TW)

(73) Assignee: **Kwang Yang Motor Co., Ltd.**,
Kaohsiung (TW)

(**) Term: **14 Years**

(21) Appl. No.: **29/328,663**

(22) Filed: **Nov. 28, 2008**

(51) **LOC (9) Cl.** **12-11**

(52) **U.S. Cl.** **D12/110**

(58) **Field of Classification Search** D12/110;
180/219, 220

See application file for complete search history.

(56) **References Cited**

U.S. PATENT DOCUMENTS

- D270,436 S * 9/1983 Gaddi D12/110
- D286,521 S * 11/1986 Tanaka et al. D12/110
- D331,553 S * 12/1992 Agnolucci D12/110

- D341,341 S * 11/1993 Nakamura et al. D12/110
- D399,174 S * 10/1998 Takeshita et al. D12/110
- D427,944 S * 7/2000 Sakuma et al. D12/110
- D585,334 S * 1/2009 Chiu et al. D12/110

* cited by examiner

Primary Examiner—Robin V Webster

Assistant Examiner—Linda Brooks

(74) *Attorney, Agent, or Firm*—Leong C. Lei

(57) **CLAIM**

The ornamental design for a scooter, as shown and described.

DESCRIPTION

FIG. 1 is a perspective view of a scooter showing my new design;

FIG. 2 is a front elevational view thereof;

FIG. 3 is a rear elevational view thereof;

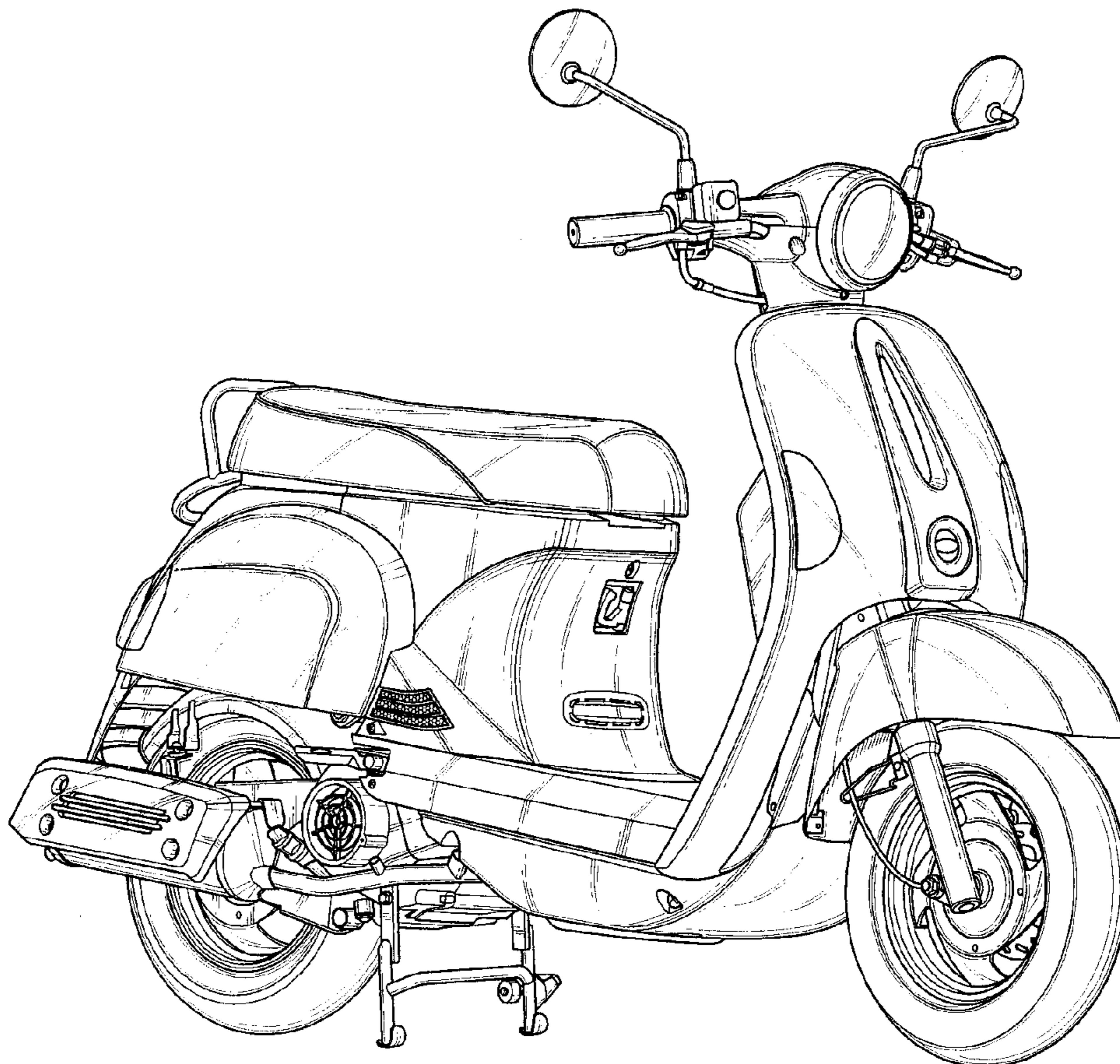
FIG. 4 is a left side elevational view thereof;

FIG. 5 is a right side elevational view thereof;

FIG. 6 is a top plan view thereof; and,

FIG. 7 is a bottom plan view thereof.

1 Claim, 6 Drawing Sheets



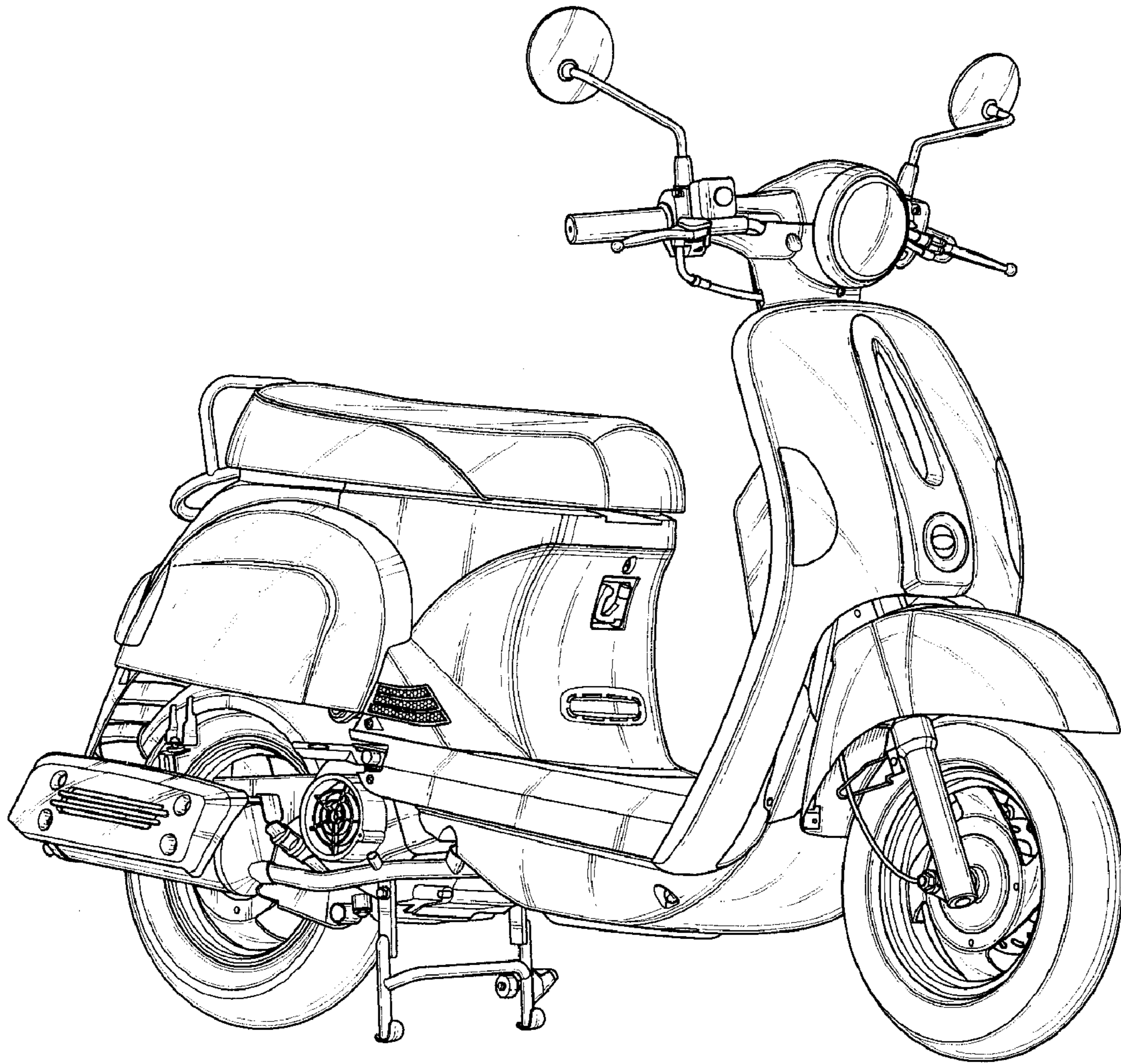


FIG.1

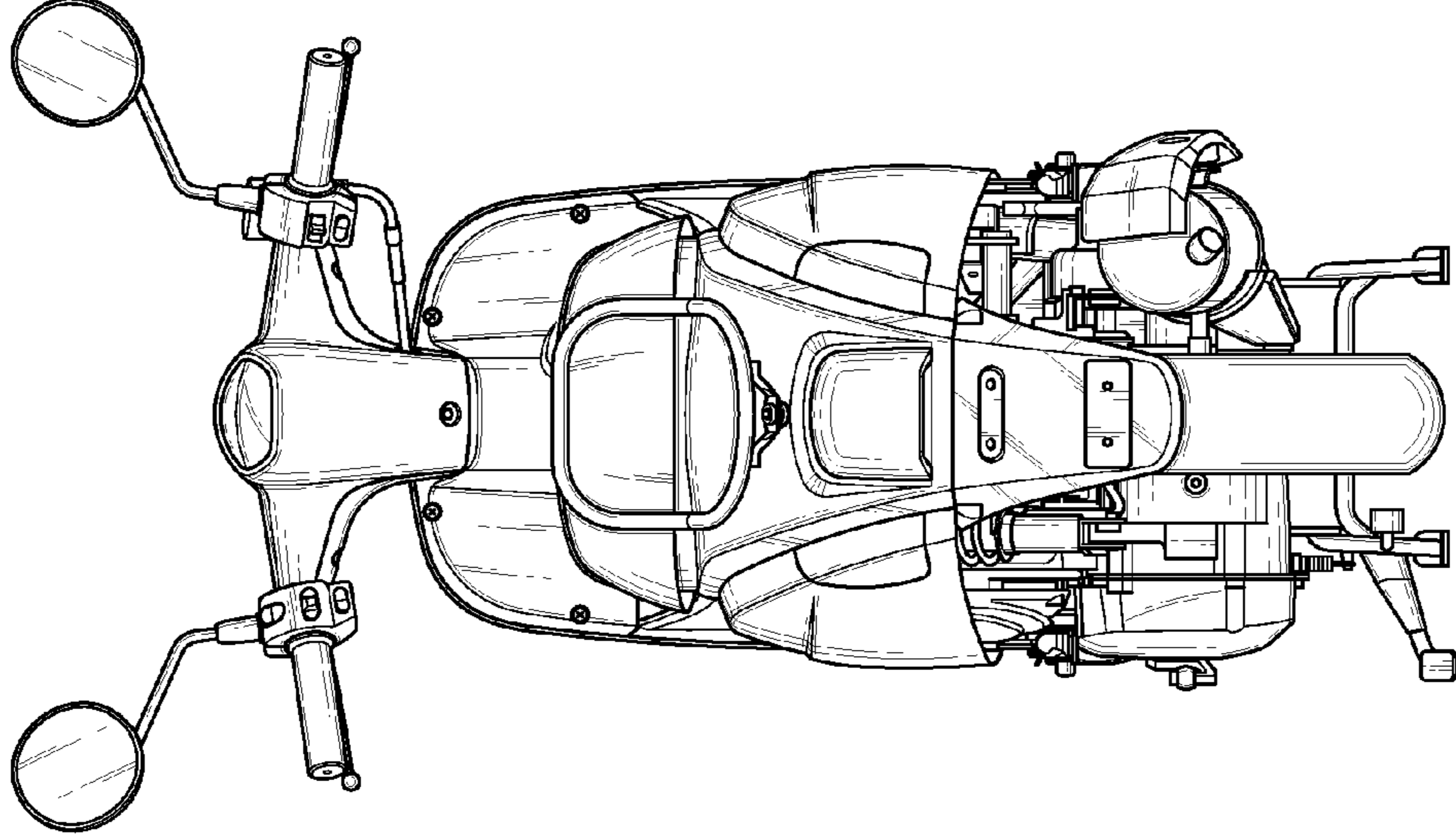


FIG.3

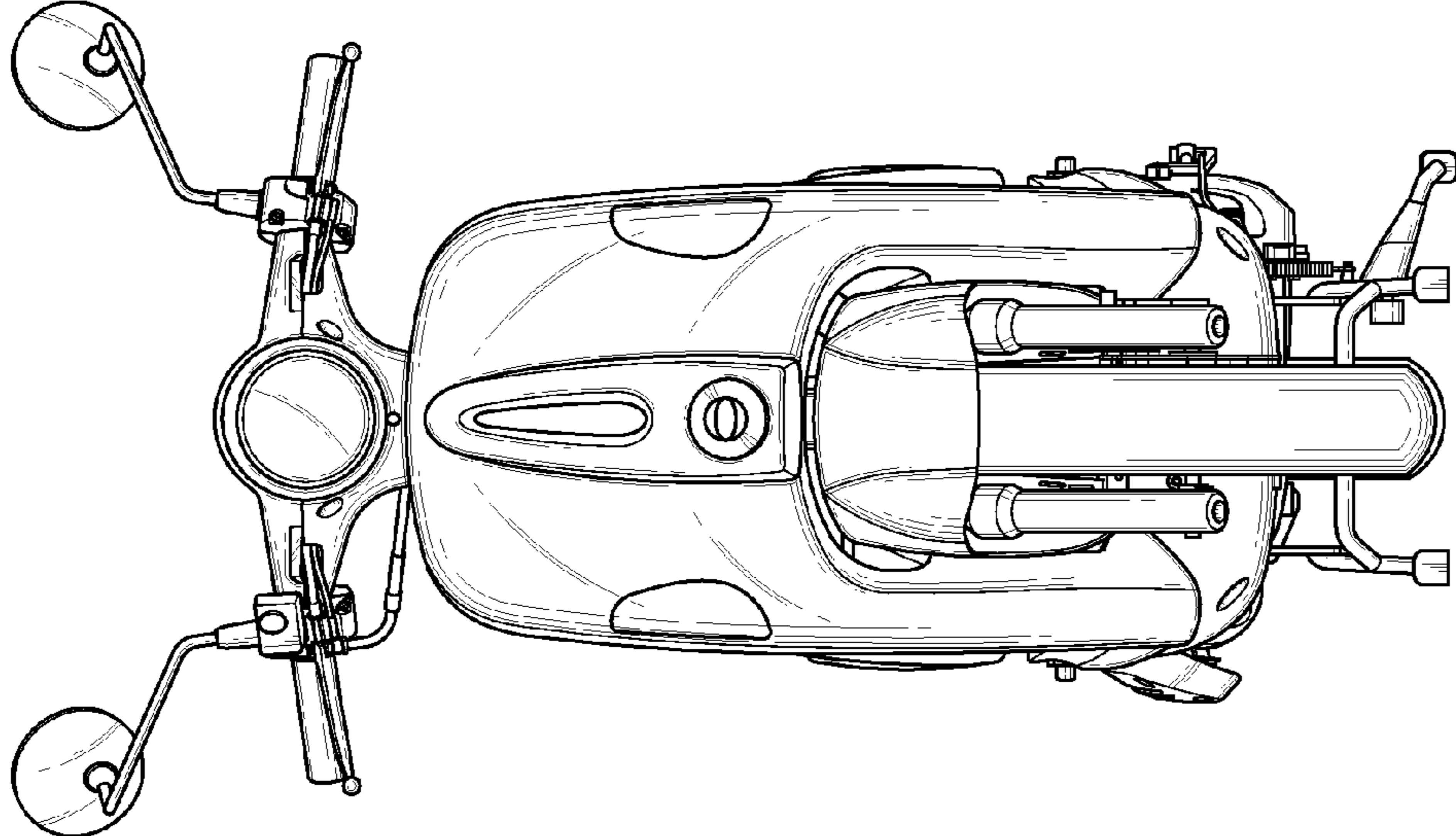


FIG.2

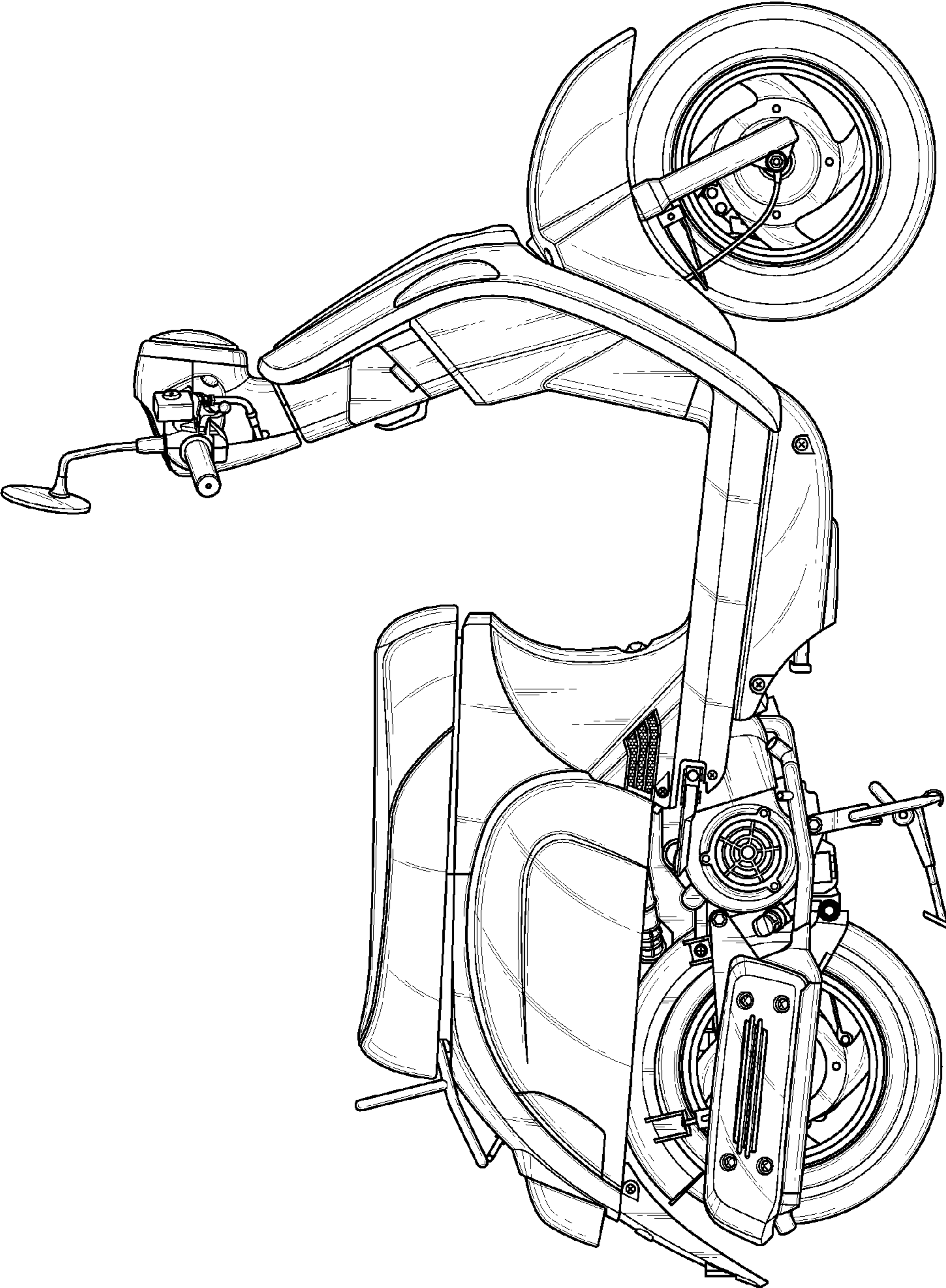


FIG.4

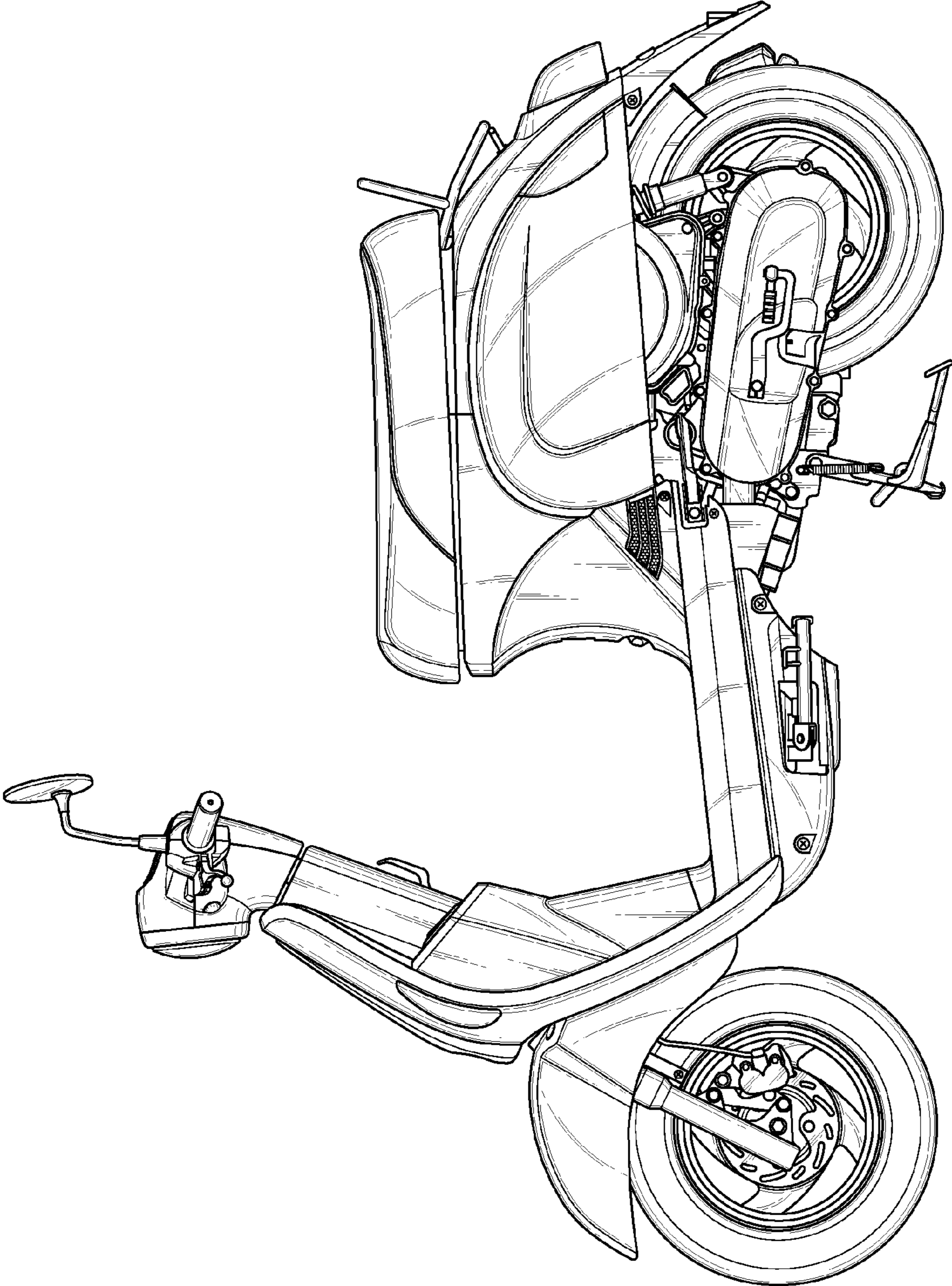


FIG.5

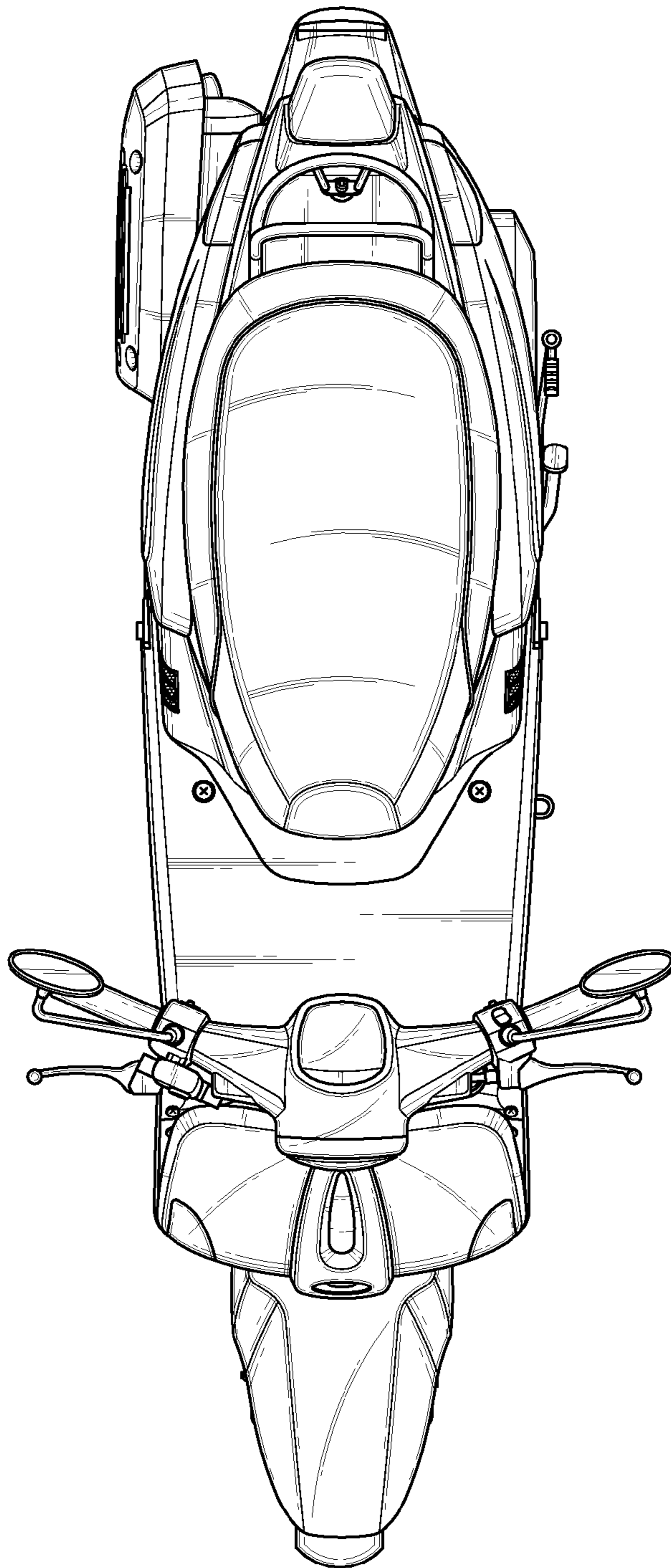


FIG.6

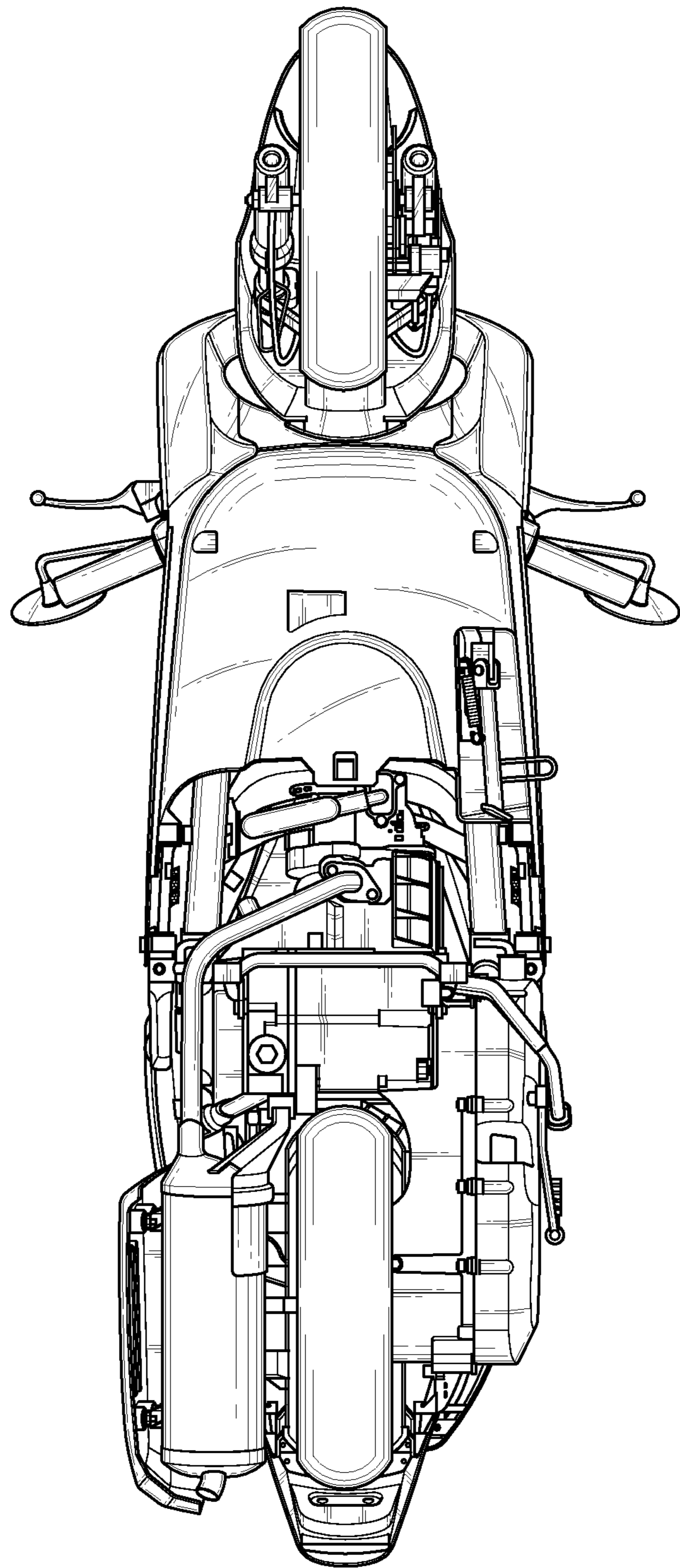


FIG. 7