



US00D602812S

(12) **United States Design Patent**
Kinoshita

(10) **Patent No.:** **US D602,812 S**
(45) **Date of Patent:** **** Oct. 27, 2009**

(54) **FOUR-WHEELED MOTORCYCLE**

(75) Inventor: **Shogo Kinoshita**, Tokyo-to (JP)

(73) Assignee: **Yamaha Hatsudoki Kabushiki Kaisha**,
Shizuoka-ken (JP)

(**) Term: **14 Years**

(21) Appl. No.: **29/324,120**

(22) Filed: **Sep. 5, 2008**

(51) **LOC (9) Cl.** **12-11**

(52) **U.S. Cl.** **D12/107**

(58) **Field of Classification Search** D12/3,
D12/86, 87, 107, 110; 180/223, 225, 229,
180/233, 311, 312, 315

See application file for complete search history.

(56) **References Cited**

U.S. PATENT DOCUMENTS

D500,264 S	12/2004	Luh	
D501,158 S	1/2005	Luh	
D508,667 S	8/2005	Sugimoto	
D511,318 S	11/2005	Sugimoto	
D512,001 S *	11/2005	Kato et al.	D12/107
D515,978 S *	2/2006	Luh	D12/107
D516,960 S *	3/2006	Luh	D12/107
D517,450 S *	3/2006	Wu	D12/107
D529,413 S *	10/2006	Basset et al.	D12/107
D529,840 S	10/2006	Sugawara	
D531,550 S	11/2006	Hirano	
D534,100 S	12/2006	Kinoshita	
D580,301 S *	11/2008	Schroeder et al.	D12/107
7,510,236 B2	3/2009	Hlopick et al.	

OTHER PUBLICATIONS

Boop, Robert. "2006 Yamaha ATV Preview Raptor 700 & YFZ450",
ATVPARTS.BIZ—All brands, all parts. <http://www.atv.info/article.cfm?id=211>, Jul. 24, 2009, 2 pages.

"Yamaha's Special Addition ATV 2005 Old School YFZ450", side,
prospective, and top view, ATVPARTS.BIZ—All brands, all parts.
<http://www.atv.info/article.cfm?id=97>, Jul. 24, 2009, 3 pages.

"2004 660R Raptor", perspective view, <http://web.archive.org/web/20031005024621/www.yamaha-motor.com/products/UnitImage.asp?>, Jul. 24, 2009, 1 page.

"2006 Raptor 700R", perspective views, <http://web.archive.org/web/20051028013426/www.yamaha-motor.com/sport/products/modelim>, Jul. 24, 2009, 2 pages.

"2008 Raptor 250", perspective views, <http://www.yamaha-motor.com/sport/products/modelimagelib/571/40/3/1/image.aspx>, Jul. 24, 2009, 2 pages.

"2008 Raptor 700R", perspective view, <http://www.yamaha-motor.com/sport/products/modelimagelib/439/4/1/1/image.aspx>, Jul. 24, 2009, 1 page.

"2006 YFZ450", side, front, and perspective view, <http://web.archive.org/web/20051124155604/www.yamaha-motor.com/sport/products/modelim>, Jul. 24, 2009, 3 pages.

"2008 YFZ450", front, perspective, and close-up side views, <http://www.yamaha-motor.com/sport/products/modelimagelib/323/16/1/1/image.aspx>, Jul. 24, 2009, 3 pages.

"2006 Blaster", perspective view, <http://web.archive.org/web/20051213031129/www.yamaha-motor.com/sport/products/modelim>, Jul. 24, 2009, 1 page.

* cited by examiner

Primary Examiner—Robin V Webster

Assistant Examiner—Linda Brooks

(74) *Attorney, Agent, or Firm*—Knobbe Martens Olson & Bear LLP

(57) **CLAIM**

The ornamental design for a four-wheeled motorcycle, as shown and described.

DESCRIPTION

FIG. 1 is a front right perspective view of a four-wheeled motorcycle;

FIG. 2 is a right side view thereof;

FIG. 3 is a left side view thereof;

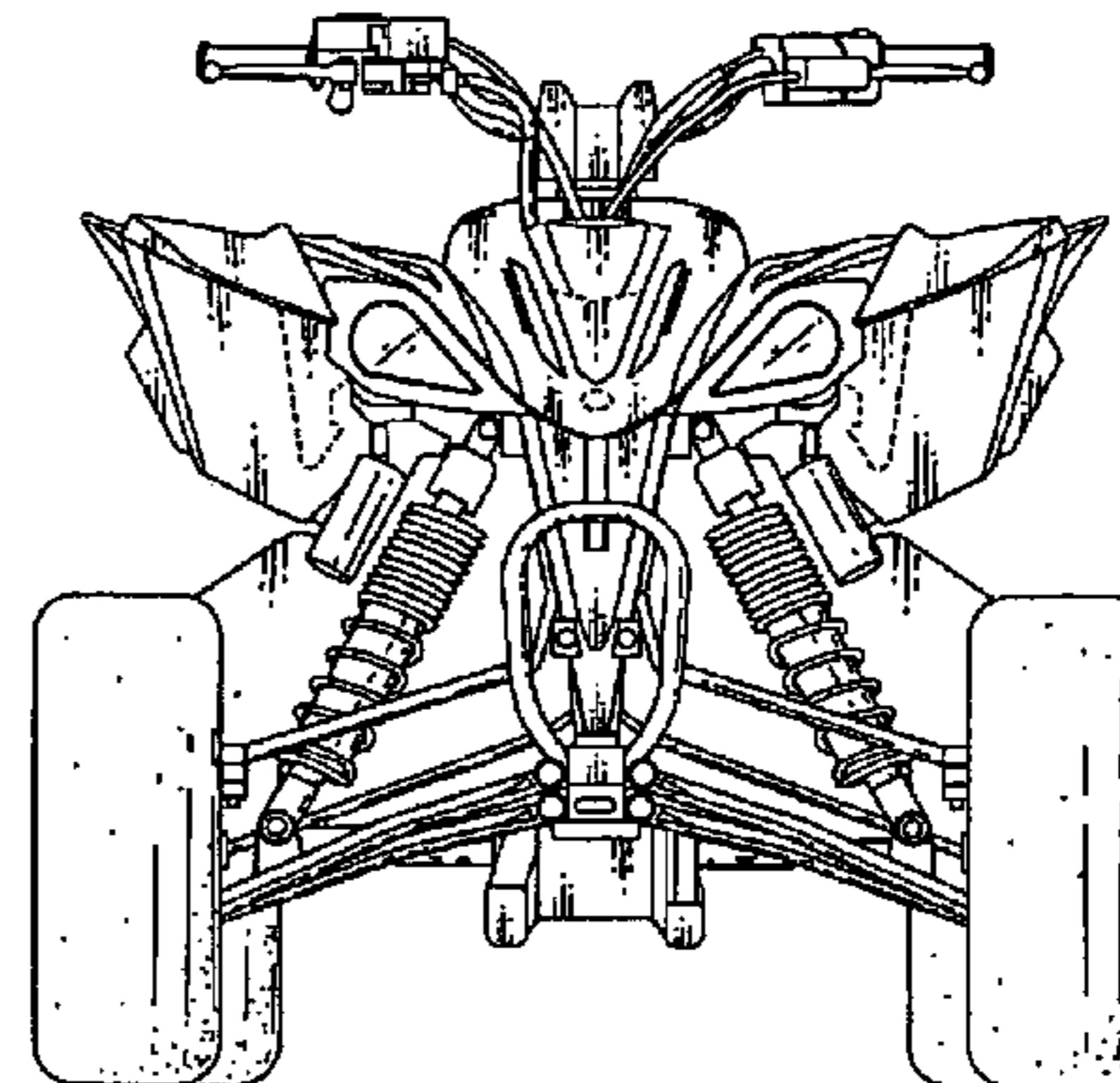
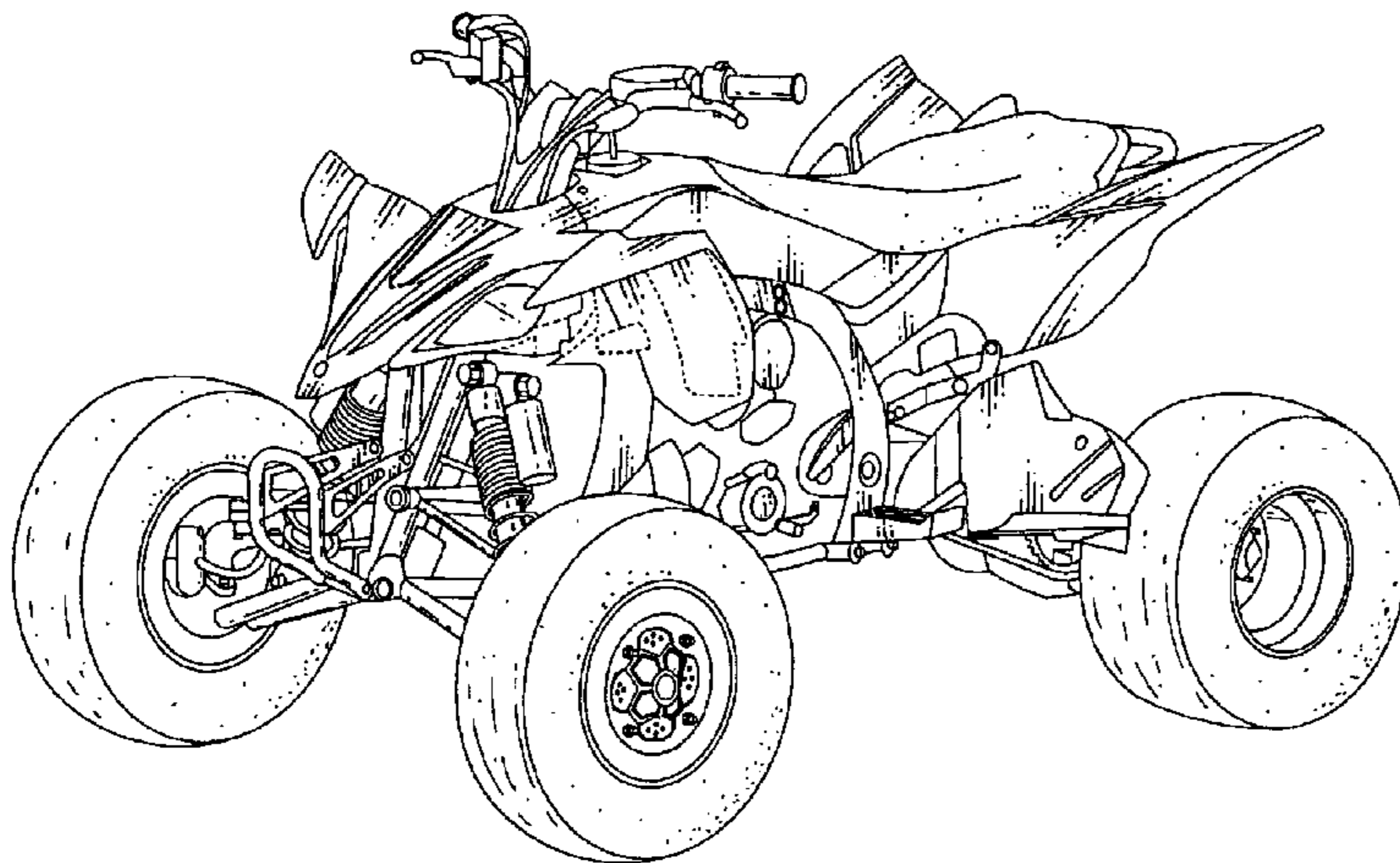
FIG. 4 is a front view thereof;

FIG. 5 is a rear view thereof;

FIG. 6 is a top plan view thereof; and,

FIG. 7 is a bottom plan view thereof.

1 Claim, 4 Drawing Sheets



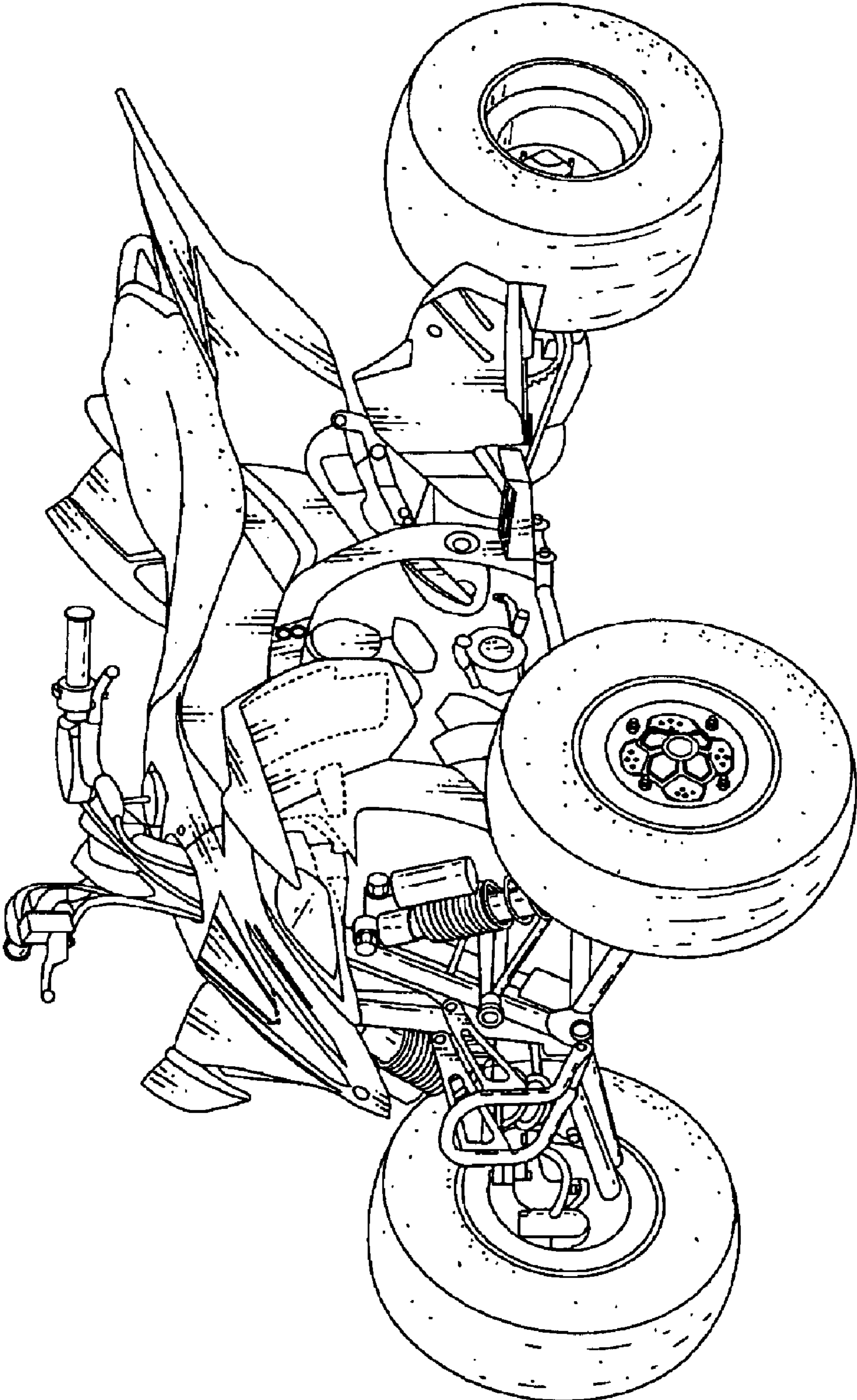


FIG. 1

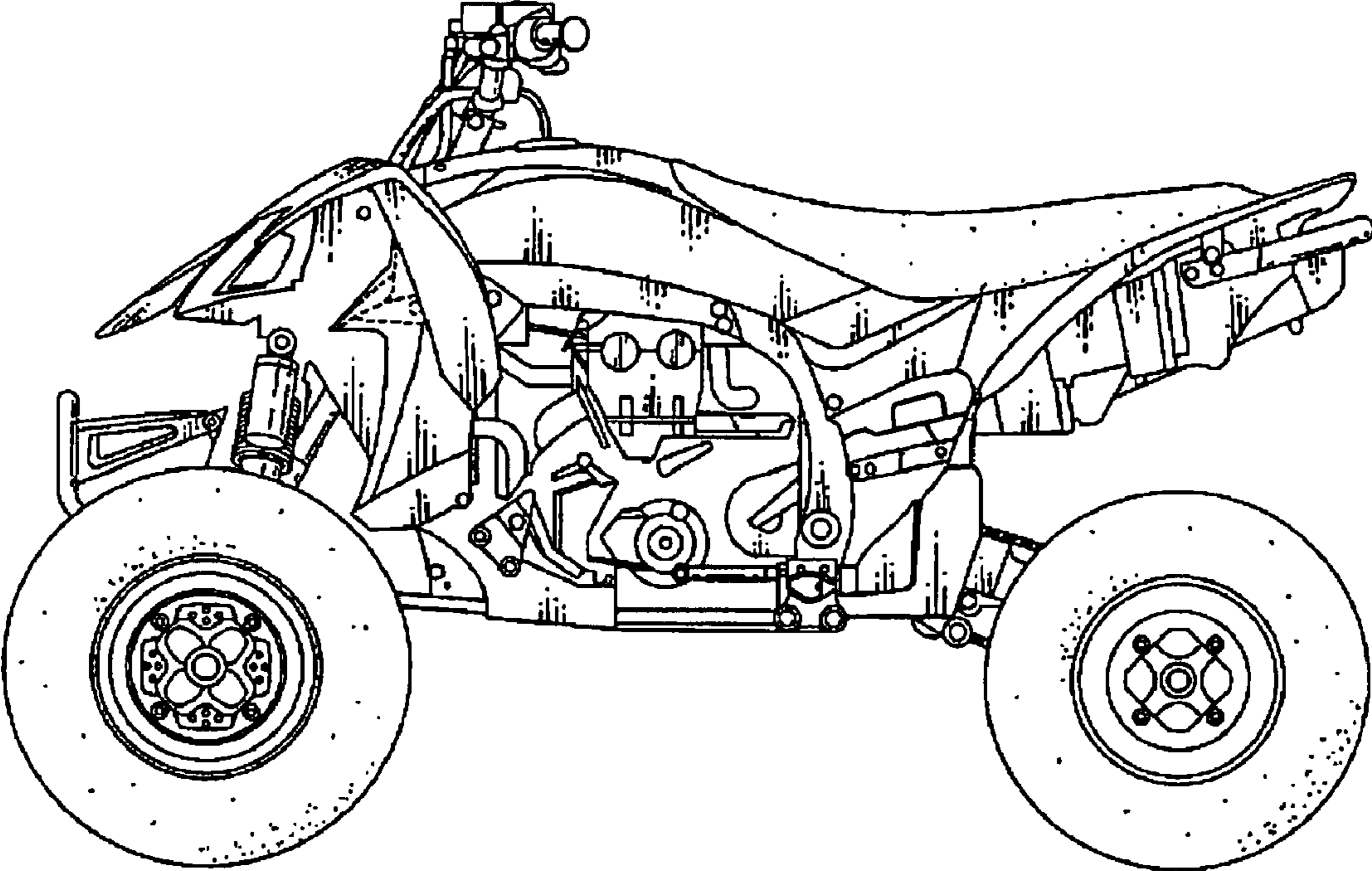


FIG. 2

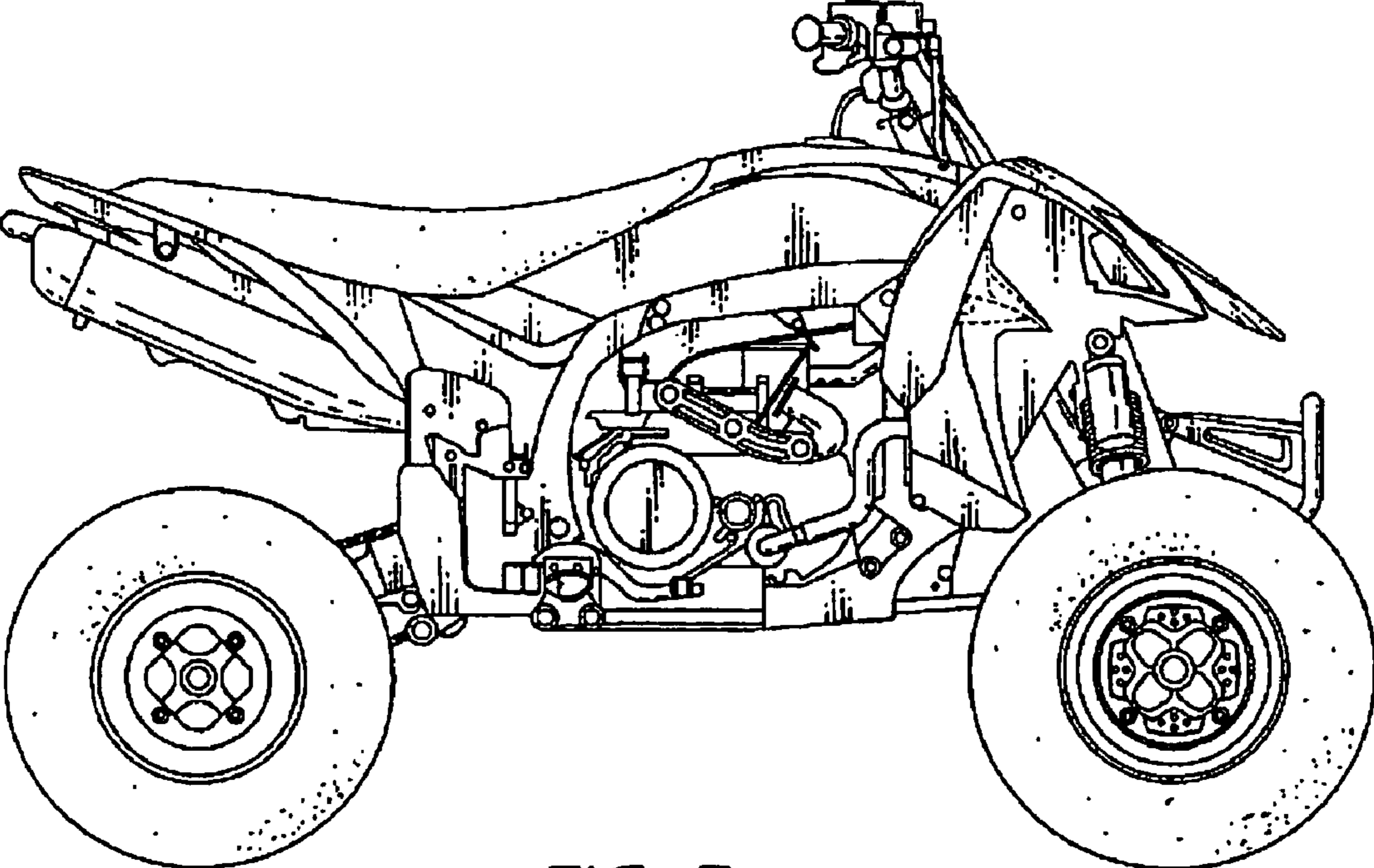


FIG. 3

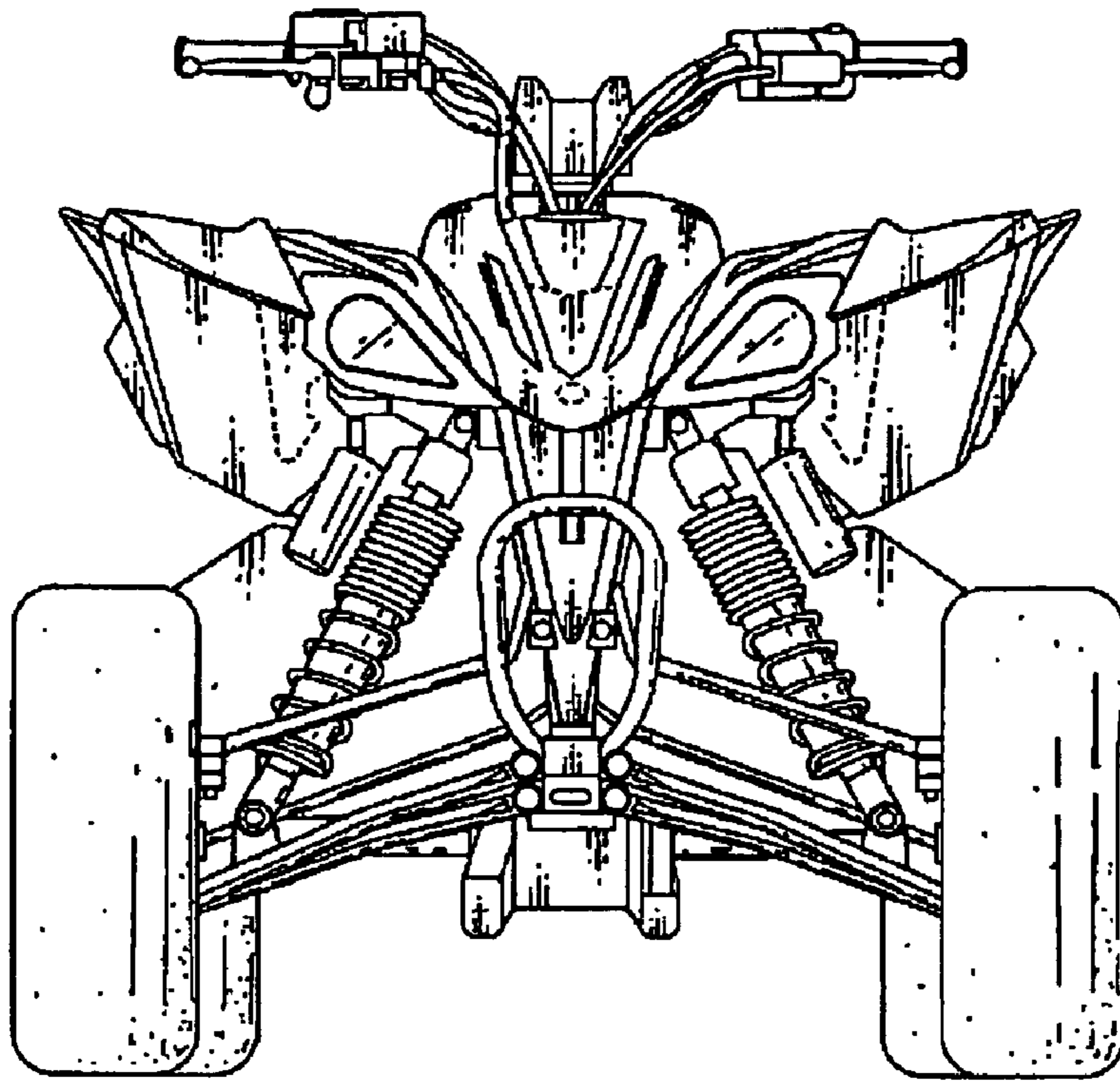


FIG. 4

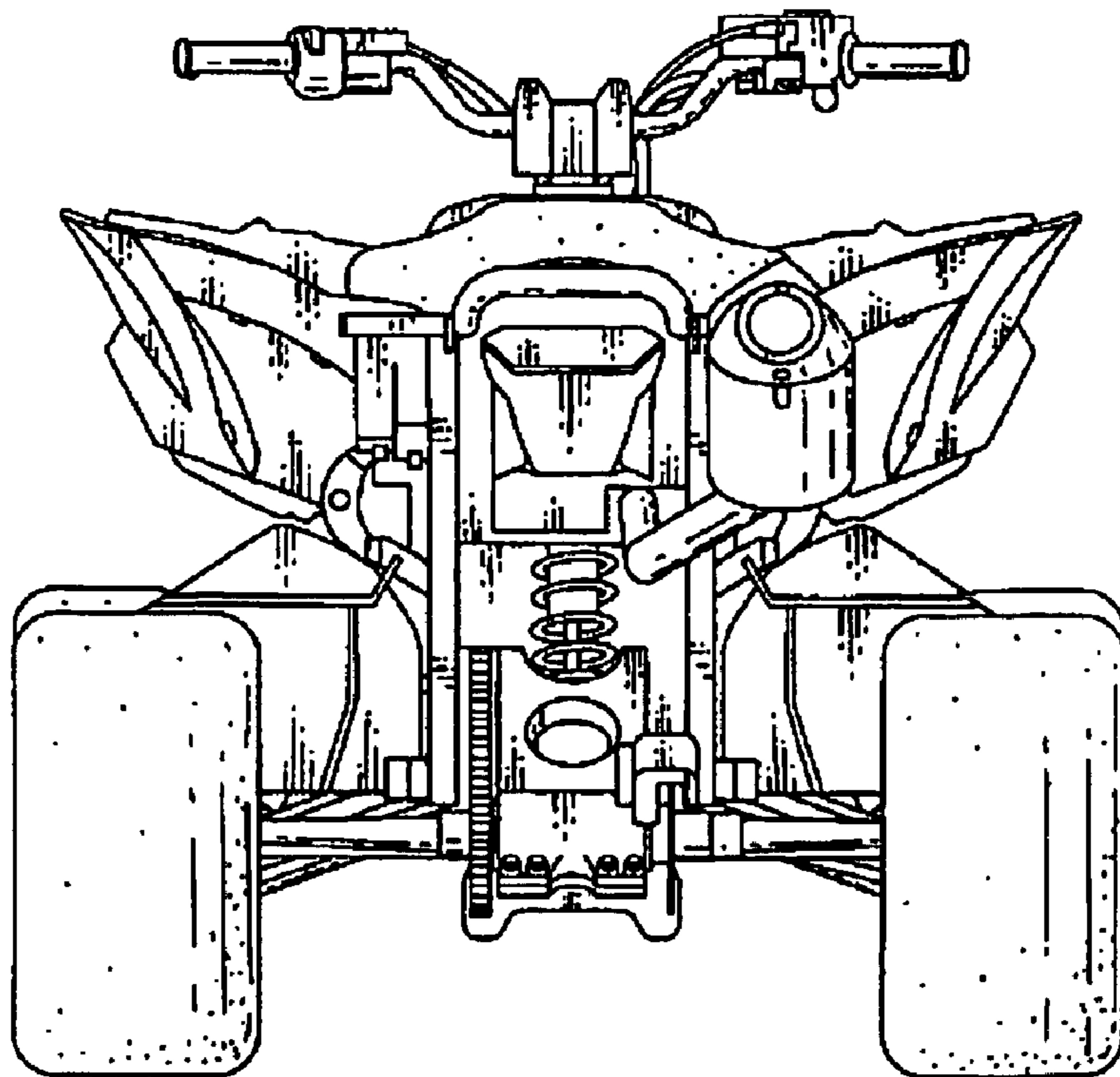


FIG. 5

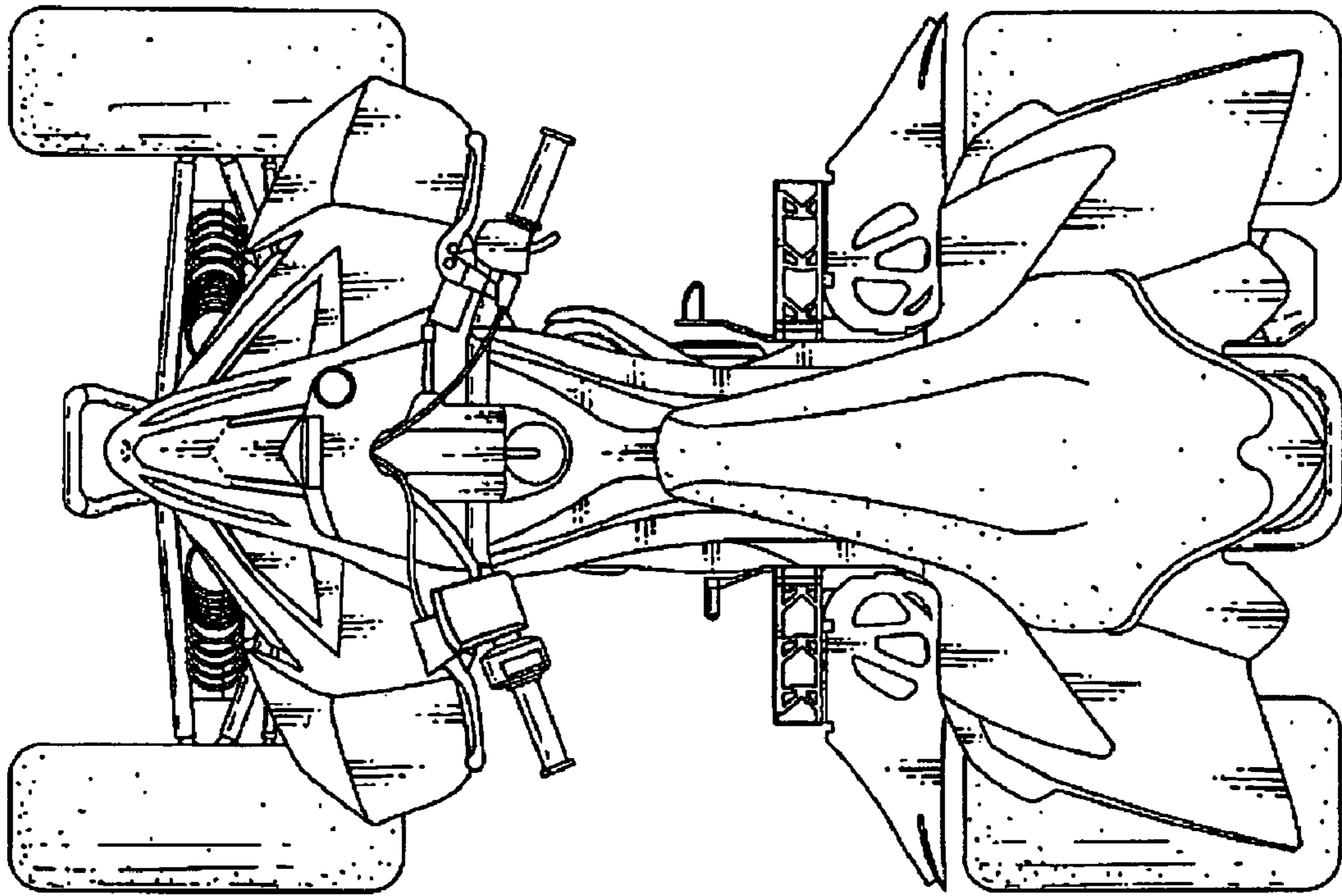


FIG. 6

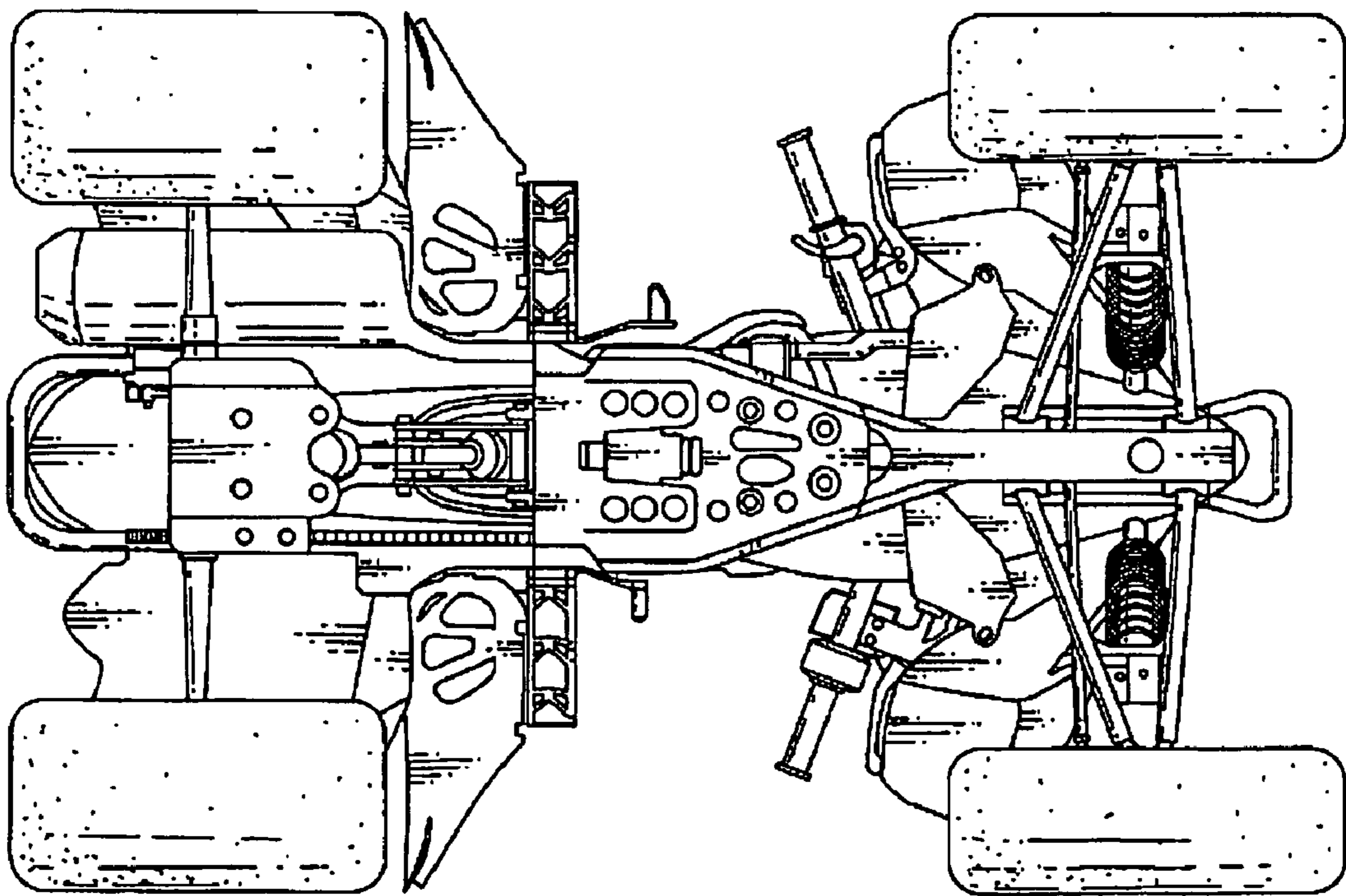


FIG. 7