



US00D602804S

(12) **United States Design Patent**
Moody

(10) **Patent No.:** **US D602,804 S**
(45) **Date of Patent:** **** Oct. 27, 2009**

(54) **RING**

(75) Inventor: **Pamela Moody**, West Palm Beach, FL (US)

(73) Assignee: **Lapidary Luxuries, LLC**, West Palm Beach, FL (US)

(**) Term: **14 Years**

(21) Appl. No.: **29/329,591**

(22) Filed: **Dec. 18, 2008**

(51) **LOC (9) Cl.** **11-01**

(52) **U.S. Cl.** **D11/34**

(58) **Field of Classification Search** D11/26-39,
D11/89-94; 63/15, 15.1-15.4, 15.45, 15.5,
63/15.6, 15.65, 15.7, 26-27

See application file for complete search history.

(56) **References Cited**

U.S. PATENT DOCUMENTS

D16,126 S *	6/1885	Huestis	D11/35
2,763,140 A *	9/1956	Lutrario	63/15.7
D253,403 S *	11/1979	Glueckselig	D11/35
D432,938 S *	10/2000	Vardakis et al.	D11/26

* cited by examiner

Primary Examiner—Cathron C Brooks

Assistant Examiner—Melanie Levy

(74) *Attorney, Agent, or Firm*—Greenberg Traurig, LLP

(57) **CLAIM**

The ornamental design for a ring, as shown and described.

DESCRIPTION

FIG. 1 is a perspective view of the ring, showing an embodiment of the present design;

FIG. 2 is a front view of the embodiment of the present design illustrated in FIG. 1;

FIG. 3 is a side view of the embodiment of the present design illustrated in FIG. 1;

FIG. 4 is a top plan view of the embodiment of the present design illustrated in FIG. 1;

FIG. 5 is a bottom plan view of the embodiment of the present design illustrated in FIG. 1;

FIG. 6 is a perspective view of the ring in an open position, showing an embodiment of the present design;

FIG. 7 is a front view of the embodiment of the present design illustrated in FIG. 6;

FIG. 8 is a side view of the embodiment of the present design illustrated in FIG. 6;

FIG. 9 is a top plan view of the embodiment of the present design illustrated in FIG. 6;

FIG. 10 is a bottom plan view of the embodiment of the present design illustrated in FIG. 6;

FIG. 11 is a perspective view of the ring in an open position, showing an embodiment of the present design illustrated in FIG. 6 and disclaiming an interchangeable insert;

FIG. 12 is a perspective view of the ring, showing an embodiment of the present design illustrated in FIG. 1 and disclaiming another interchangeable insert;

FIG. 13 is a perspective view of the ring in an open position, showing an embodiment of the present design illustrated in FIG. 6 and disclaiming another interchangeable insert;

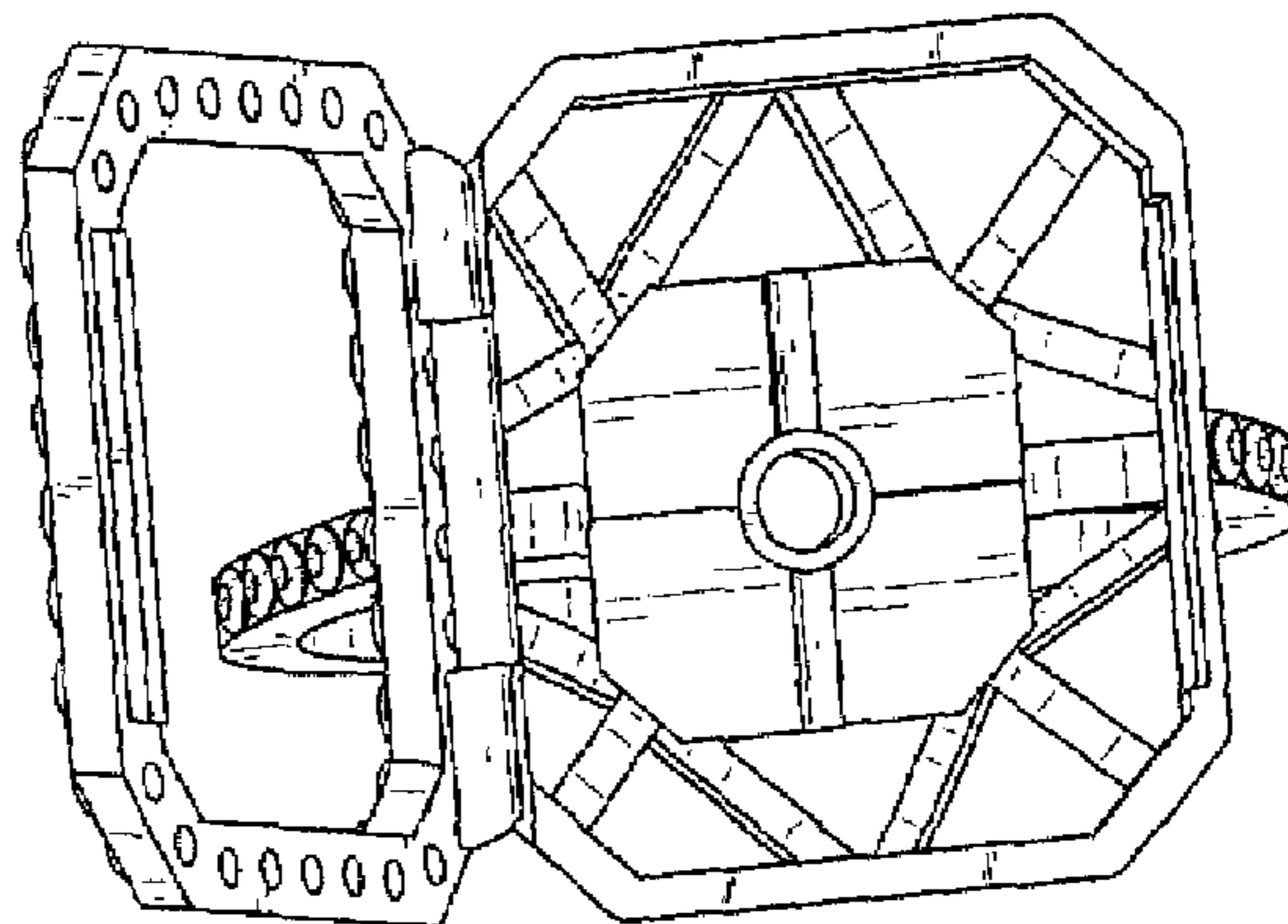
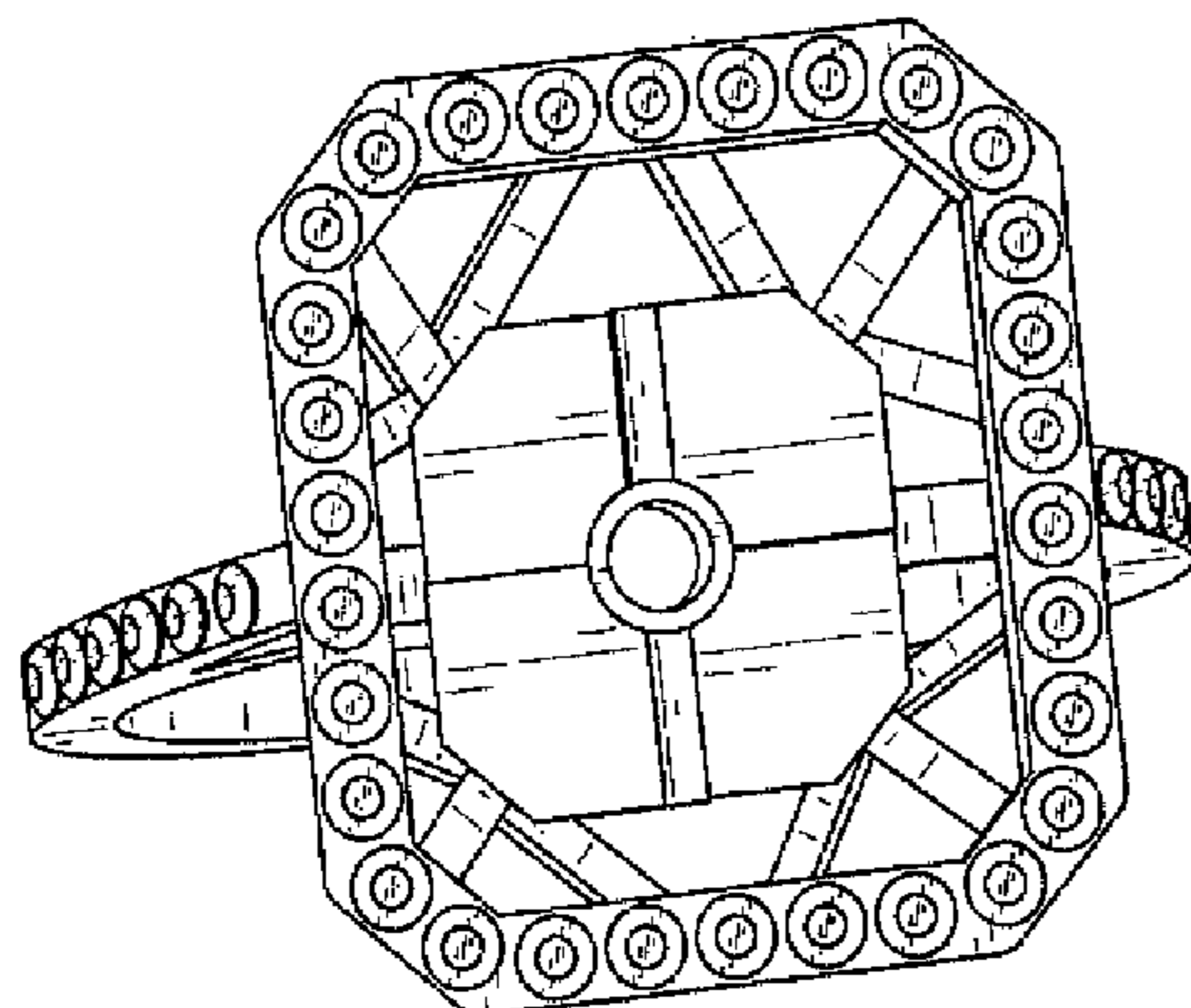
FIG. 14 is a perspective view of the ring, showing an embodiment of the present design illustrated in FIG. 1 and disclaiming another interchangeable insert;

FIG. 15 is a perspective view of the ring, showing an embodiment of the present design illustrated in FIG. 1 and disclaiming another interchangeable insert; and,

FIG. 16 is a perspective view of the ring, showing an embodiment of the present design illustrated in FIG. 1 and disclaiming another interchangeable insert.

The broken lines shown in the drawings represent unclaimed portions of the design and form no part thereof.

1 Claim, 12 Drawing Sheets



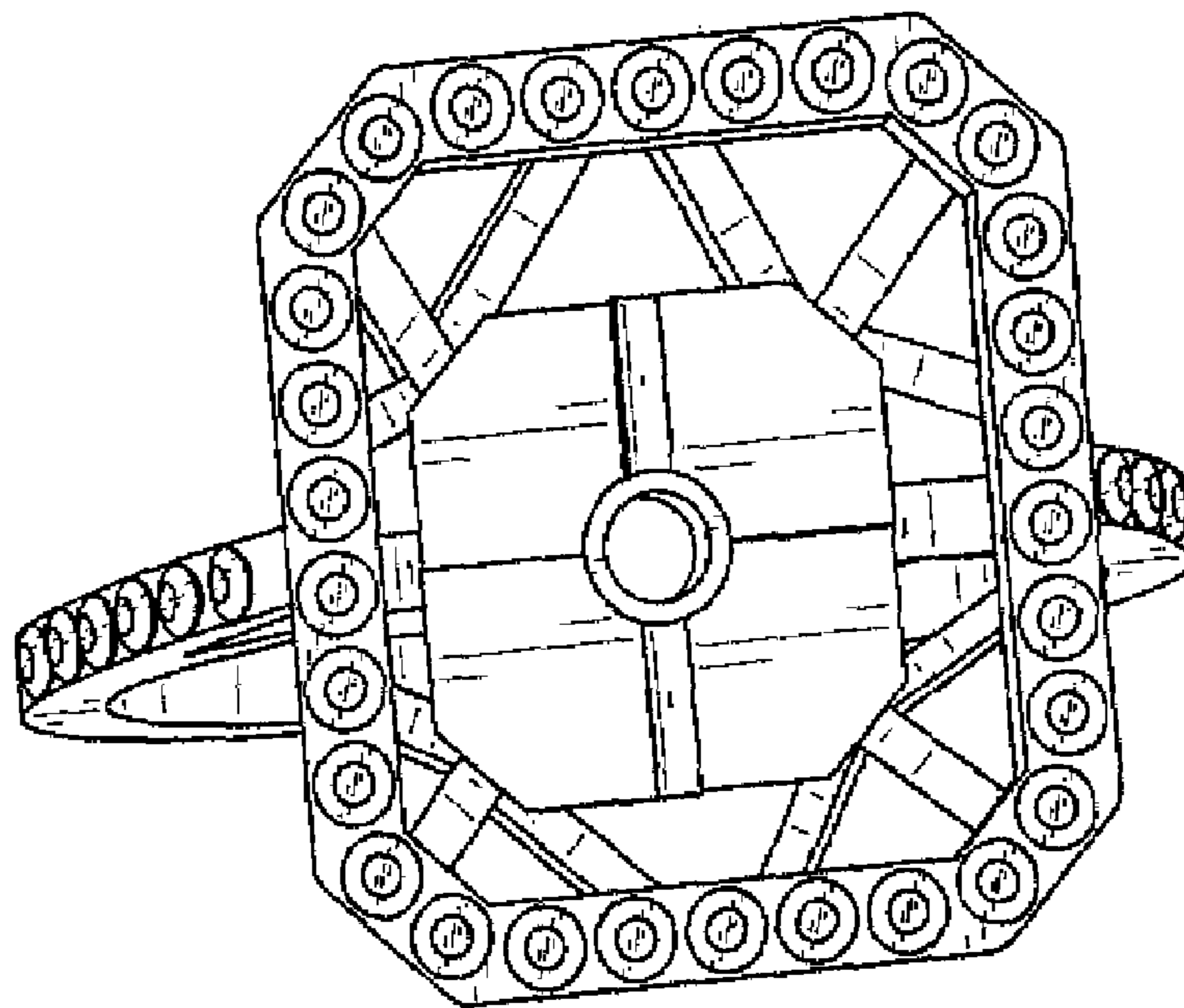


FIG. 1

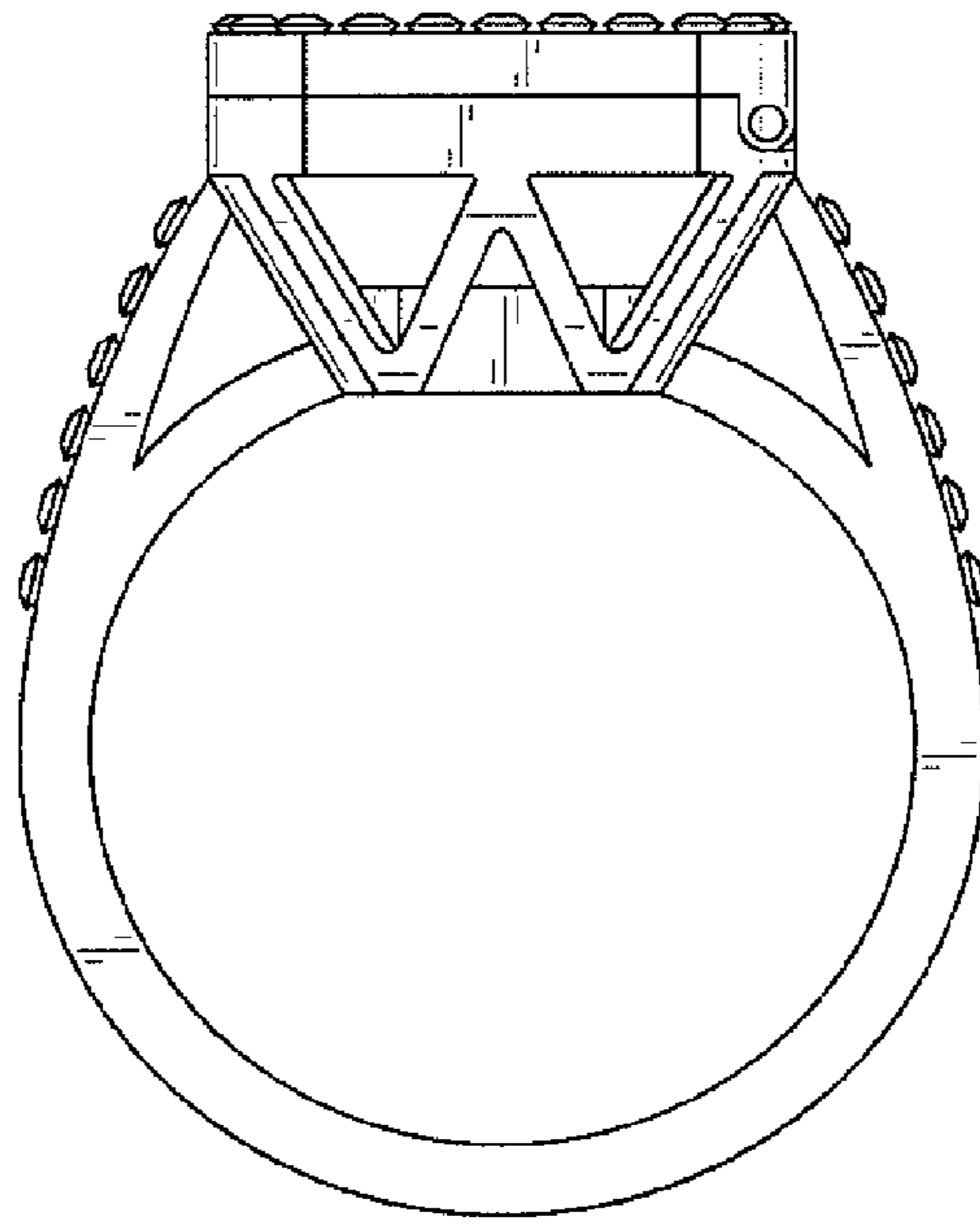


FIG. 2

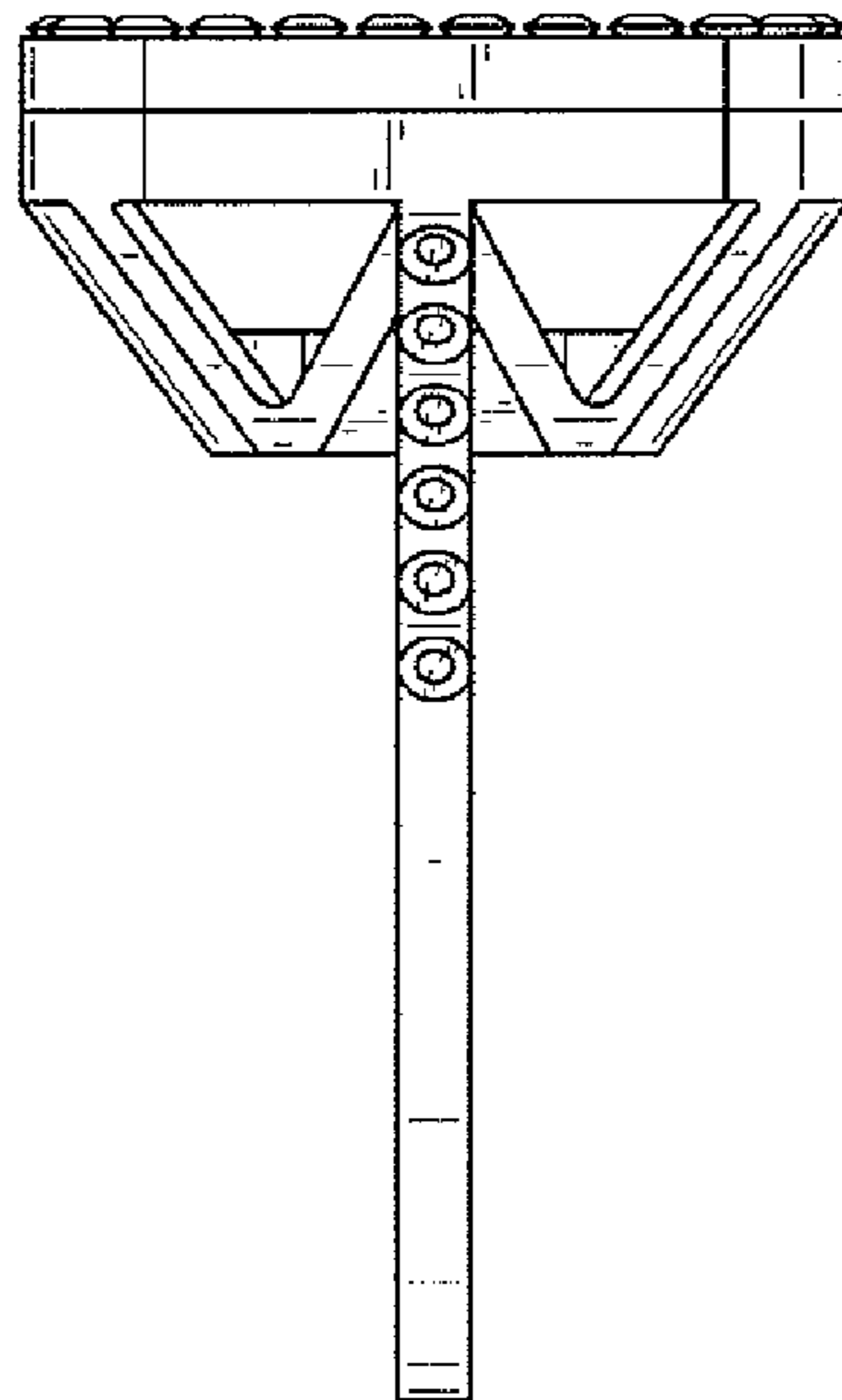


FIG. 3

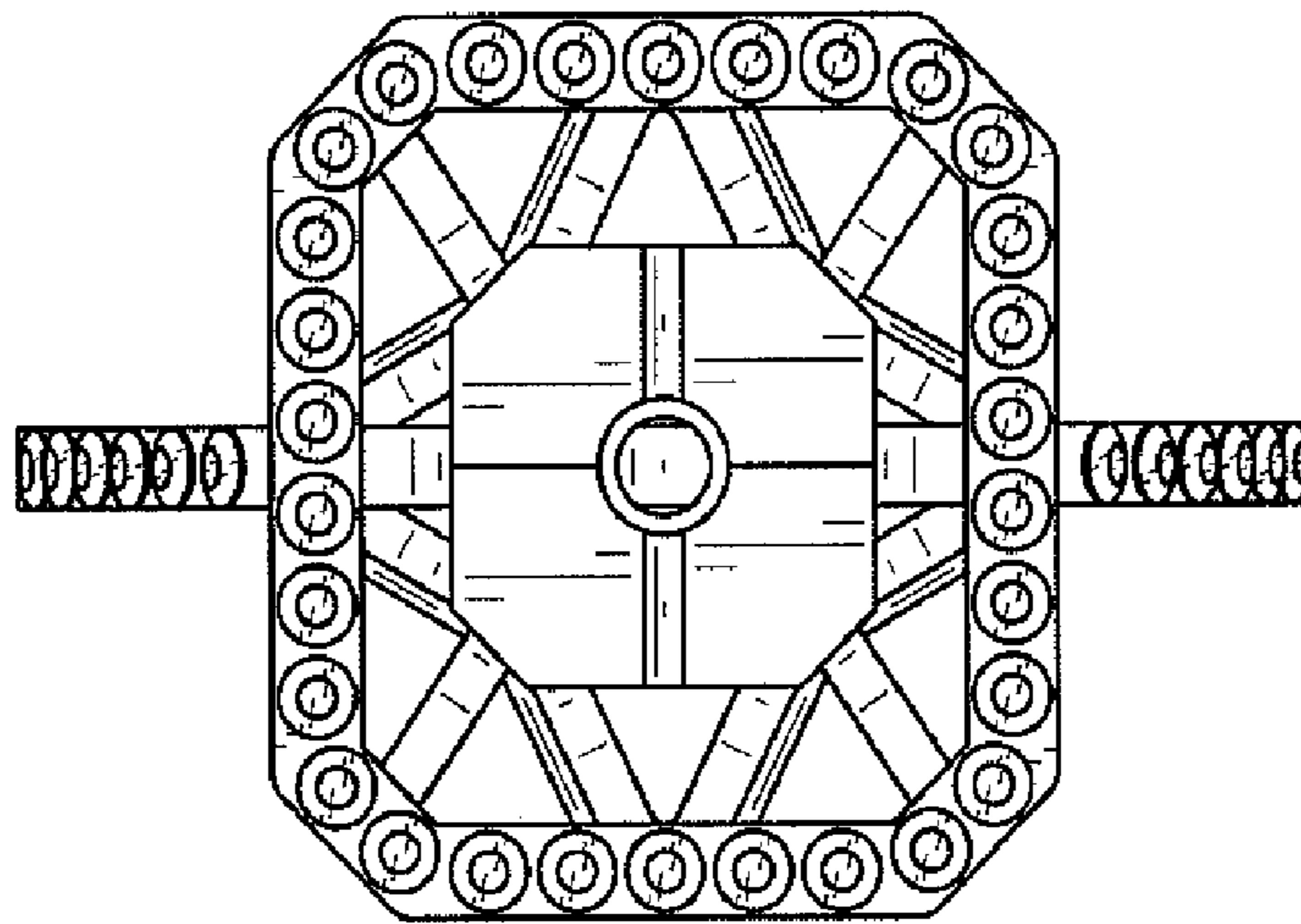


FIG. 4

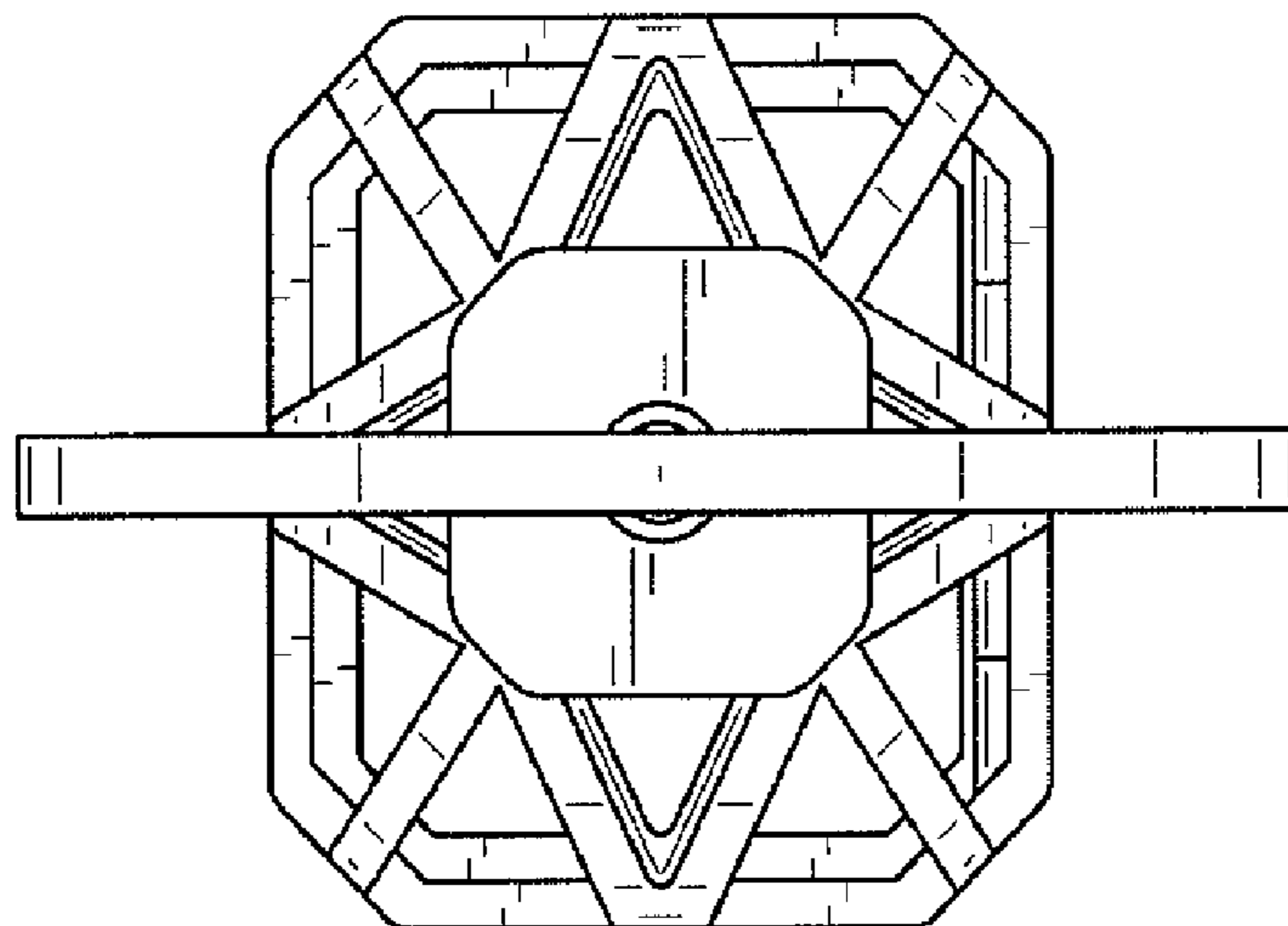


FIG. 5

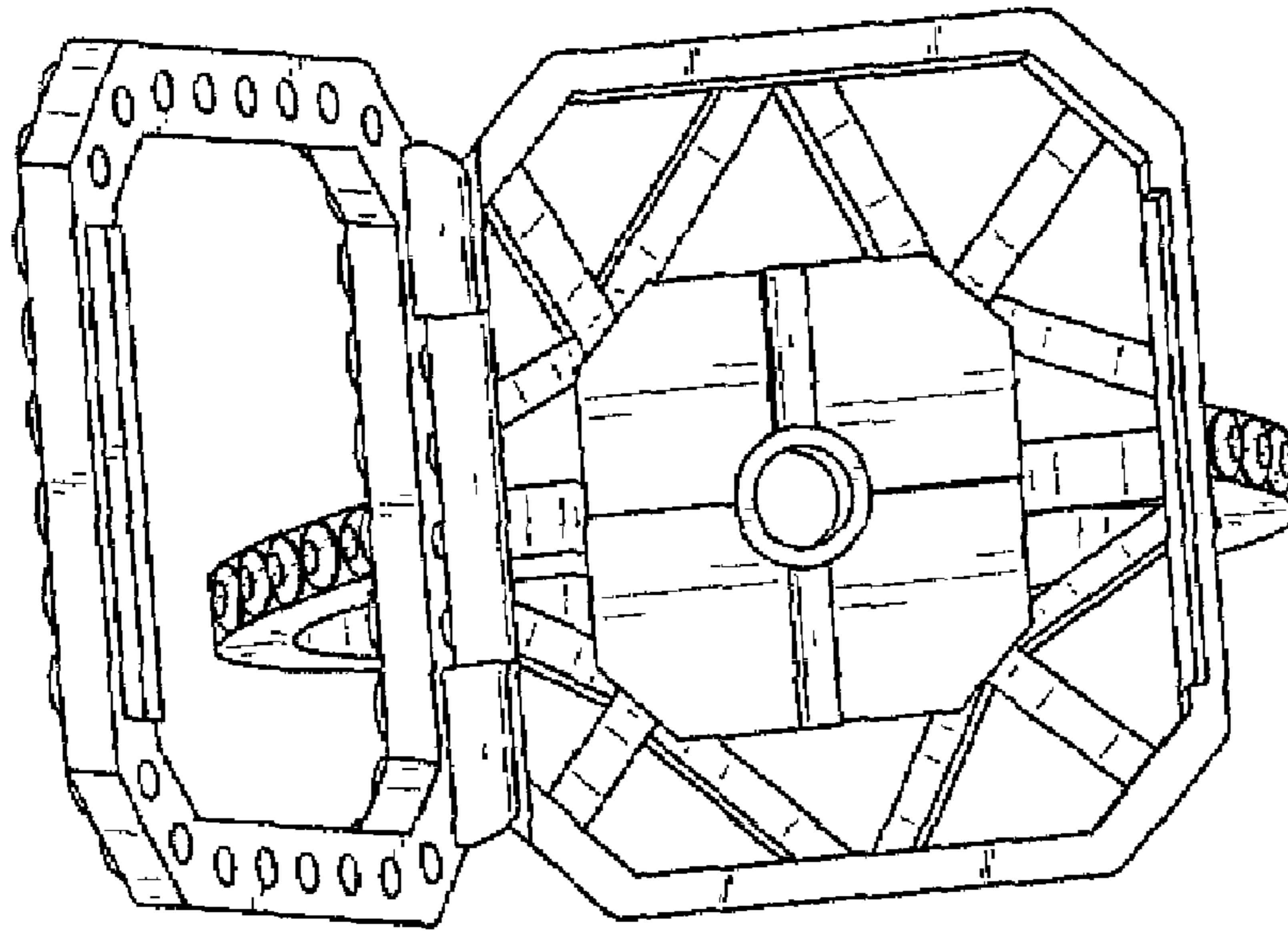


FIG. 6

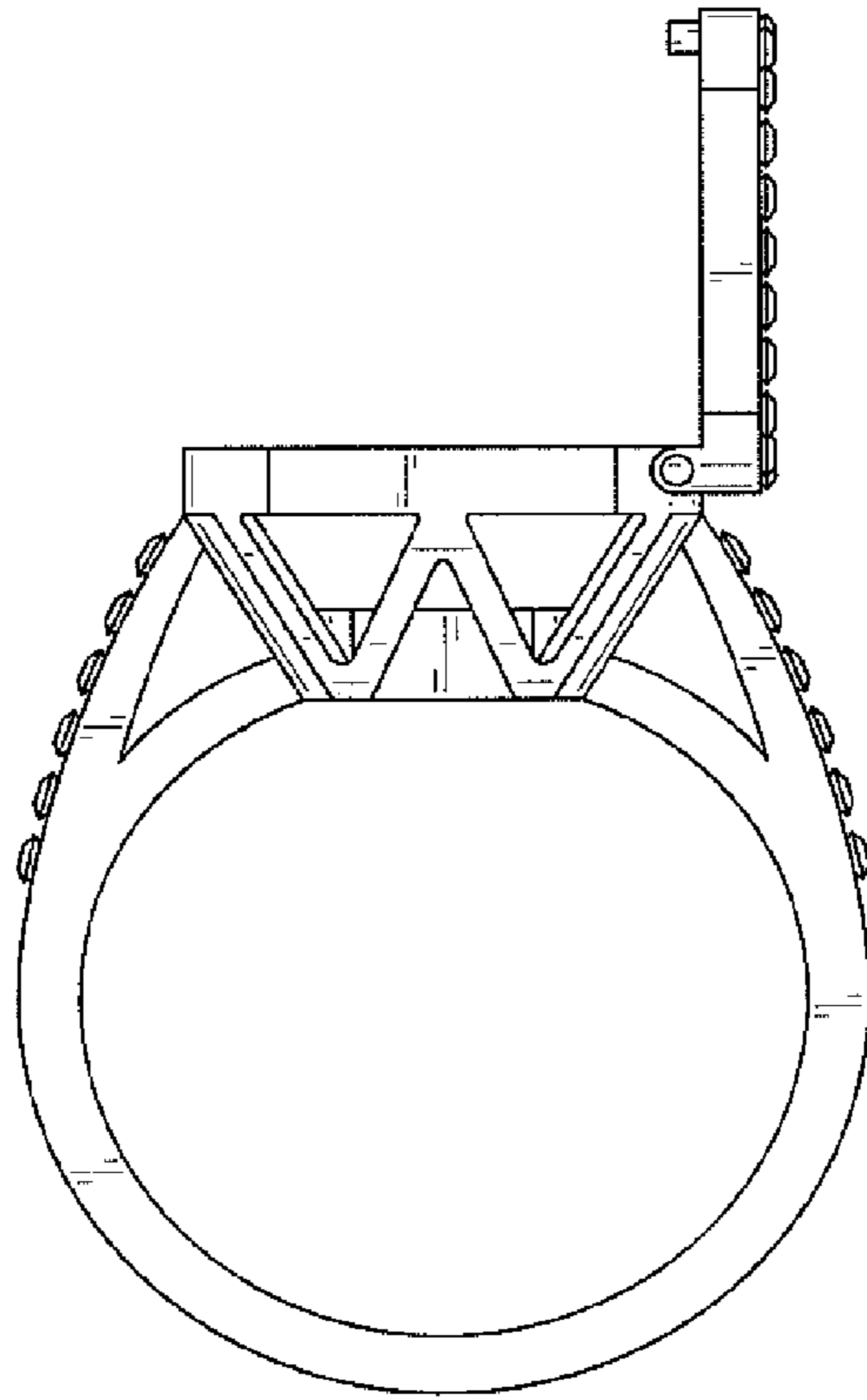


FIG. 7

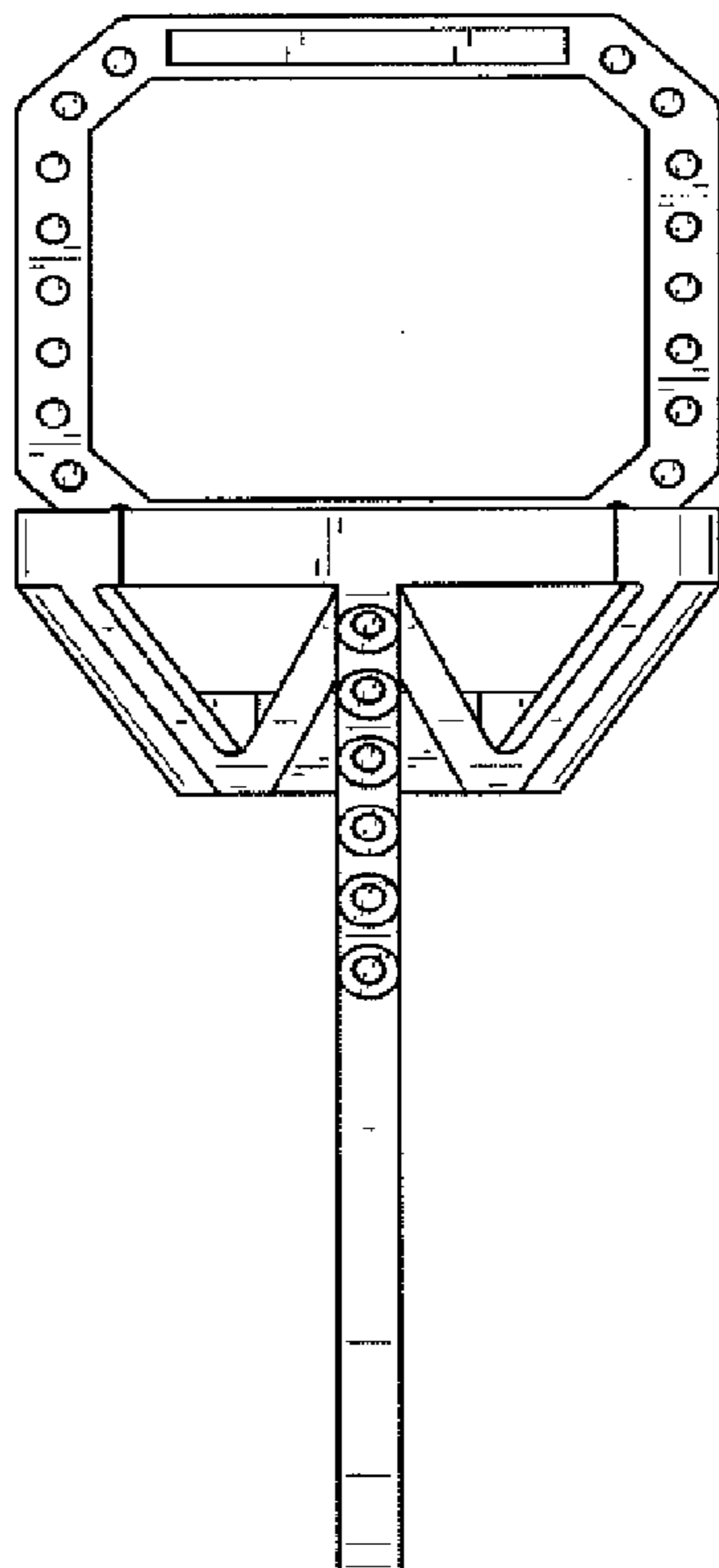


FIG. 8

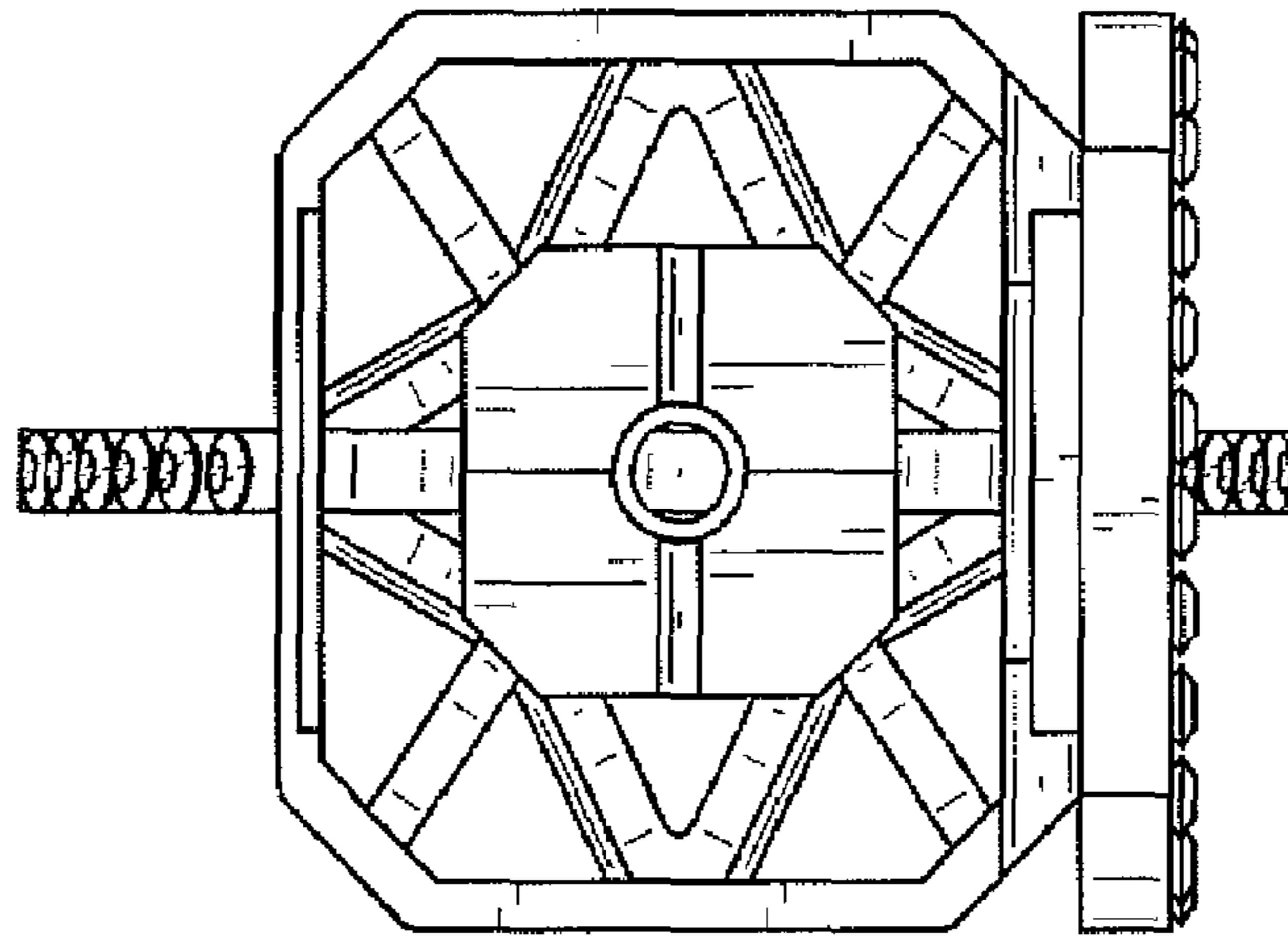


FIG. 9

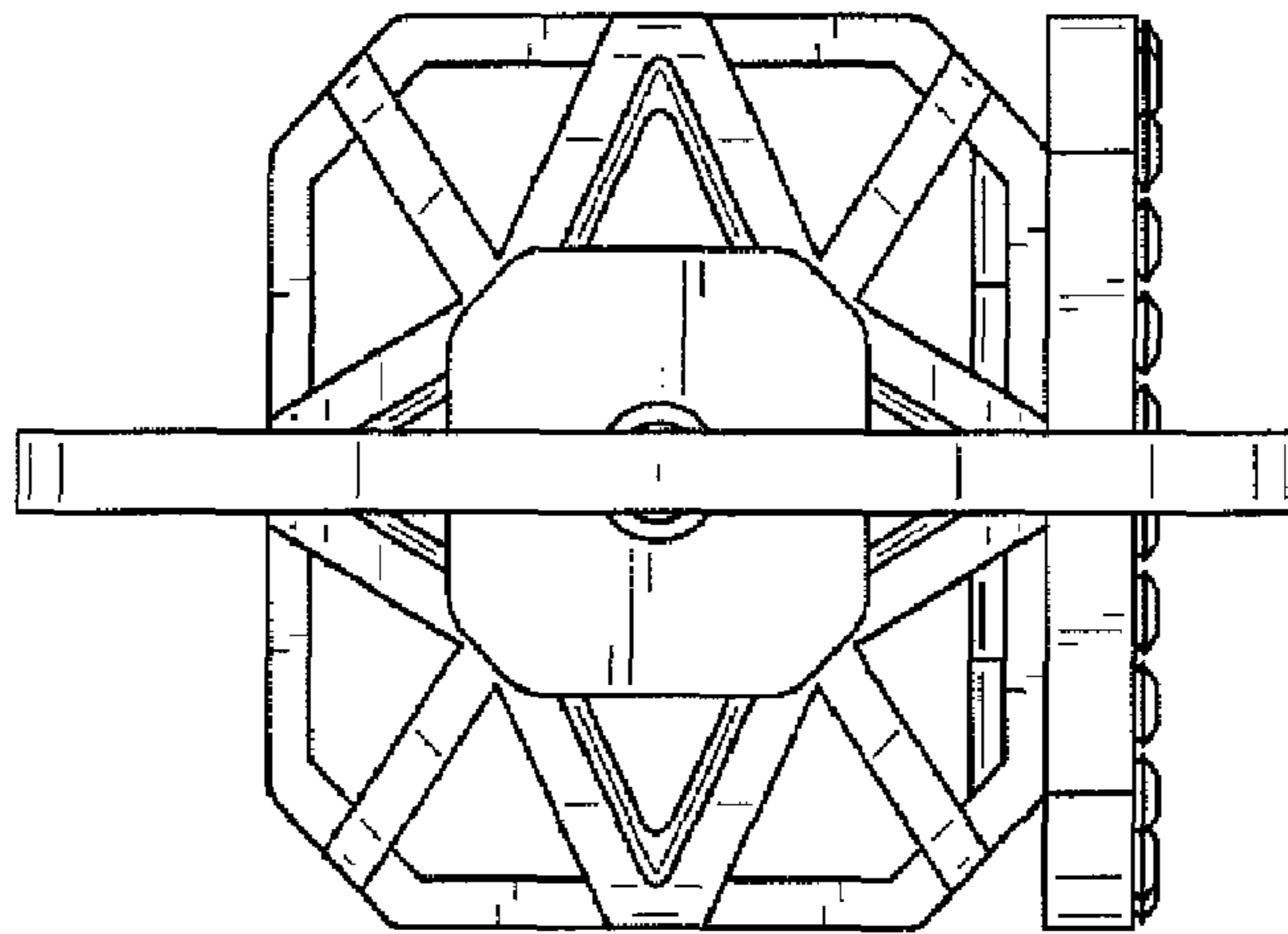


FIG. 10

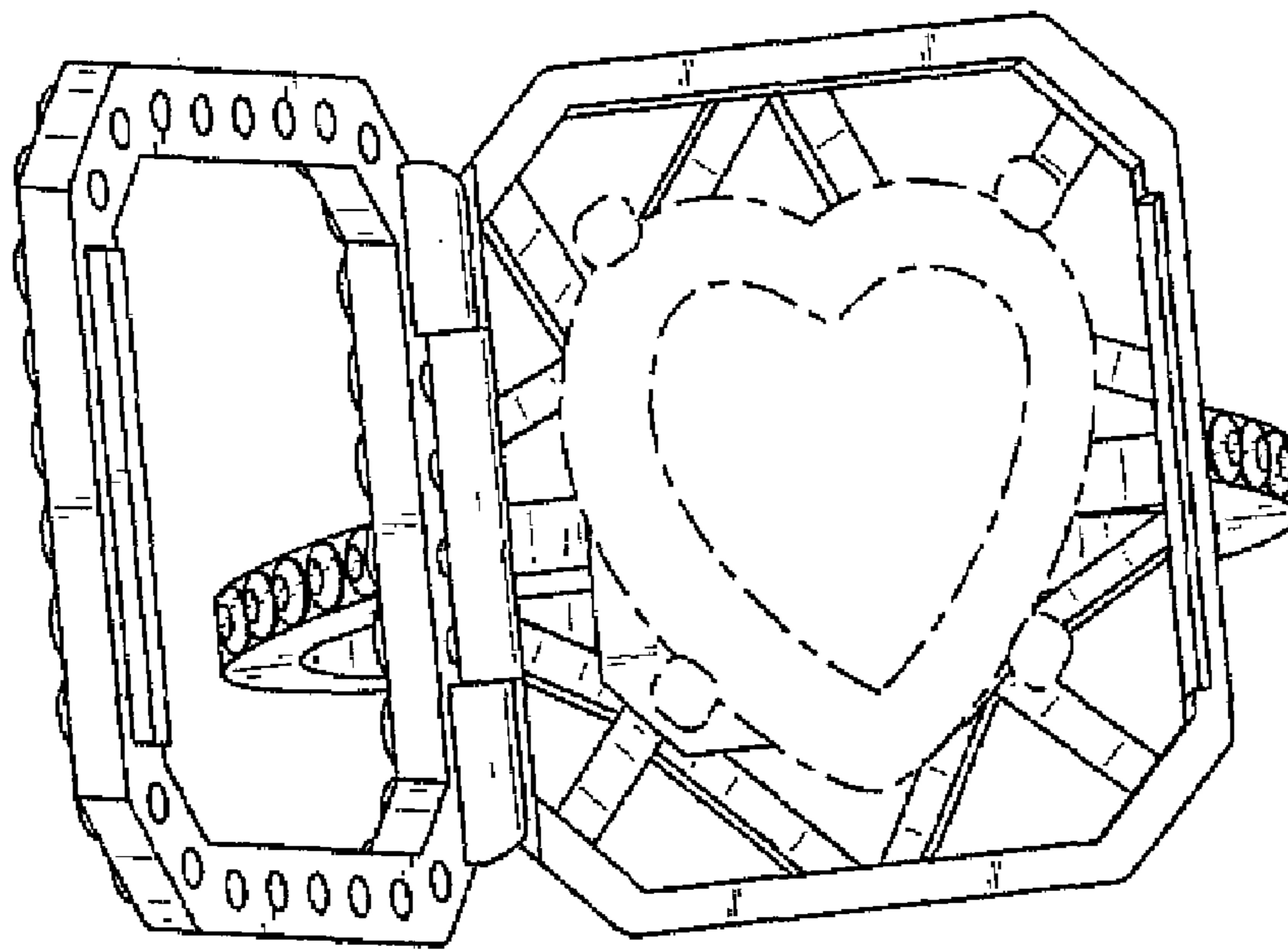


FIG. 11

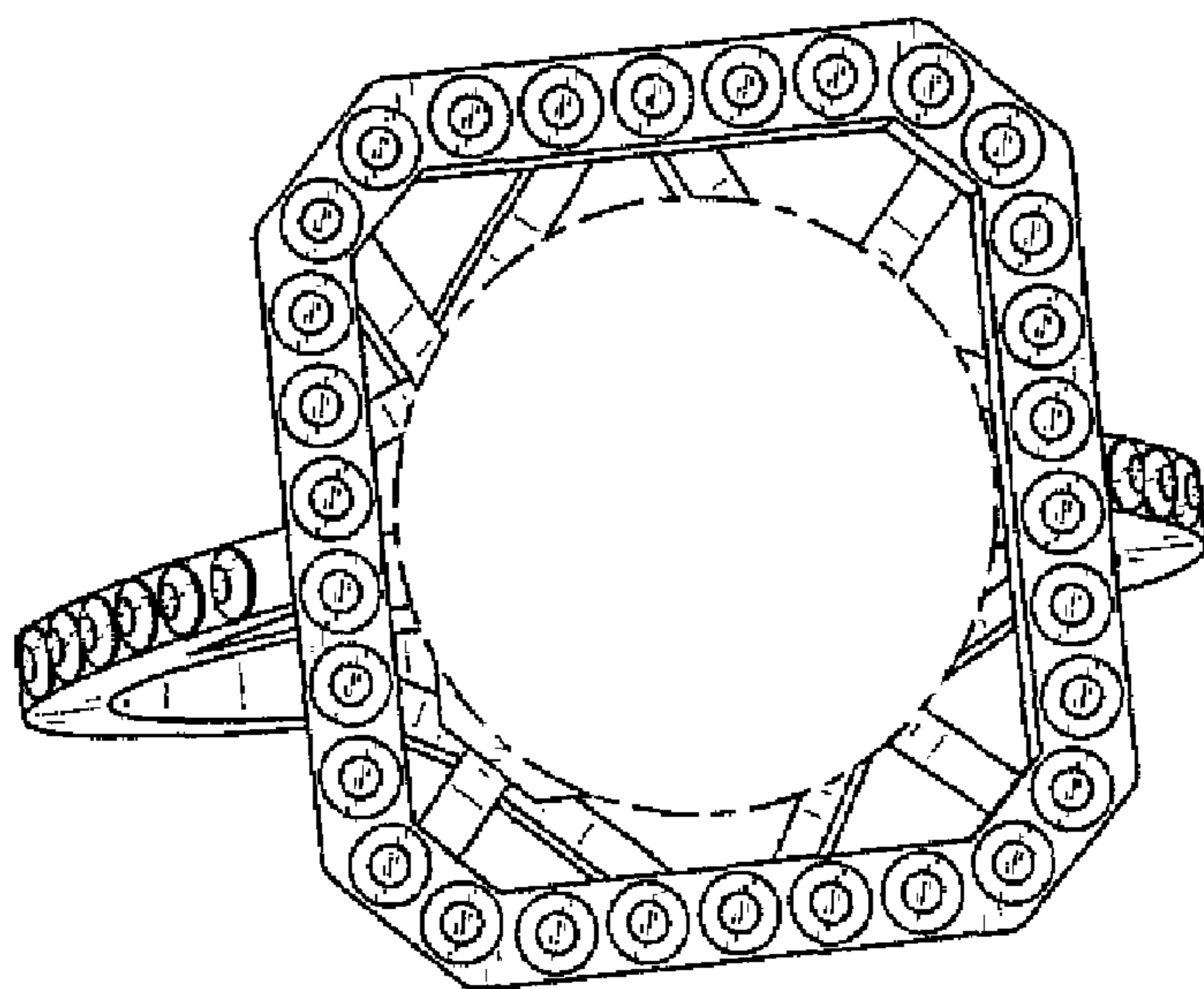


FIG. 12

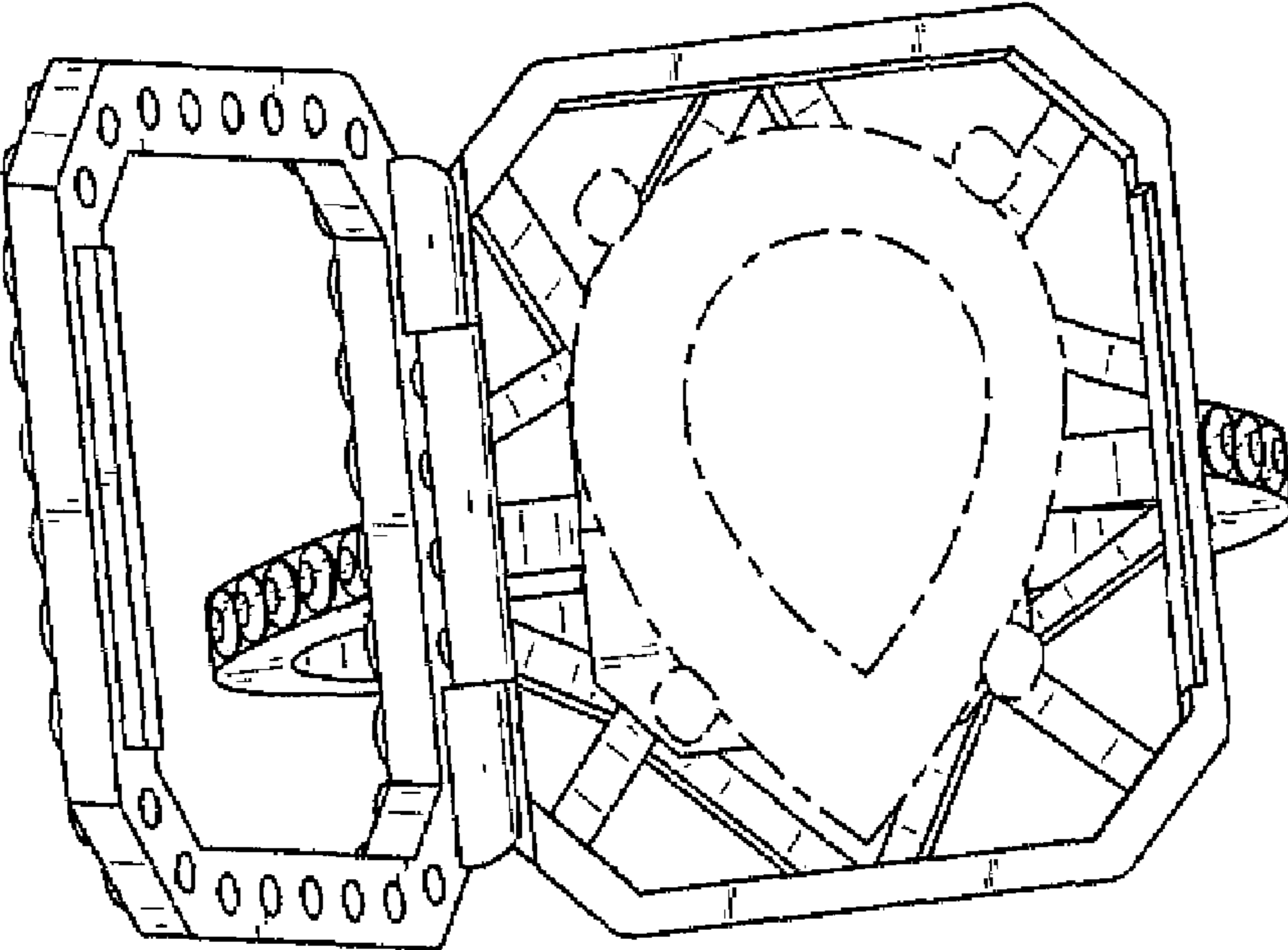


FIG. 13

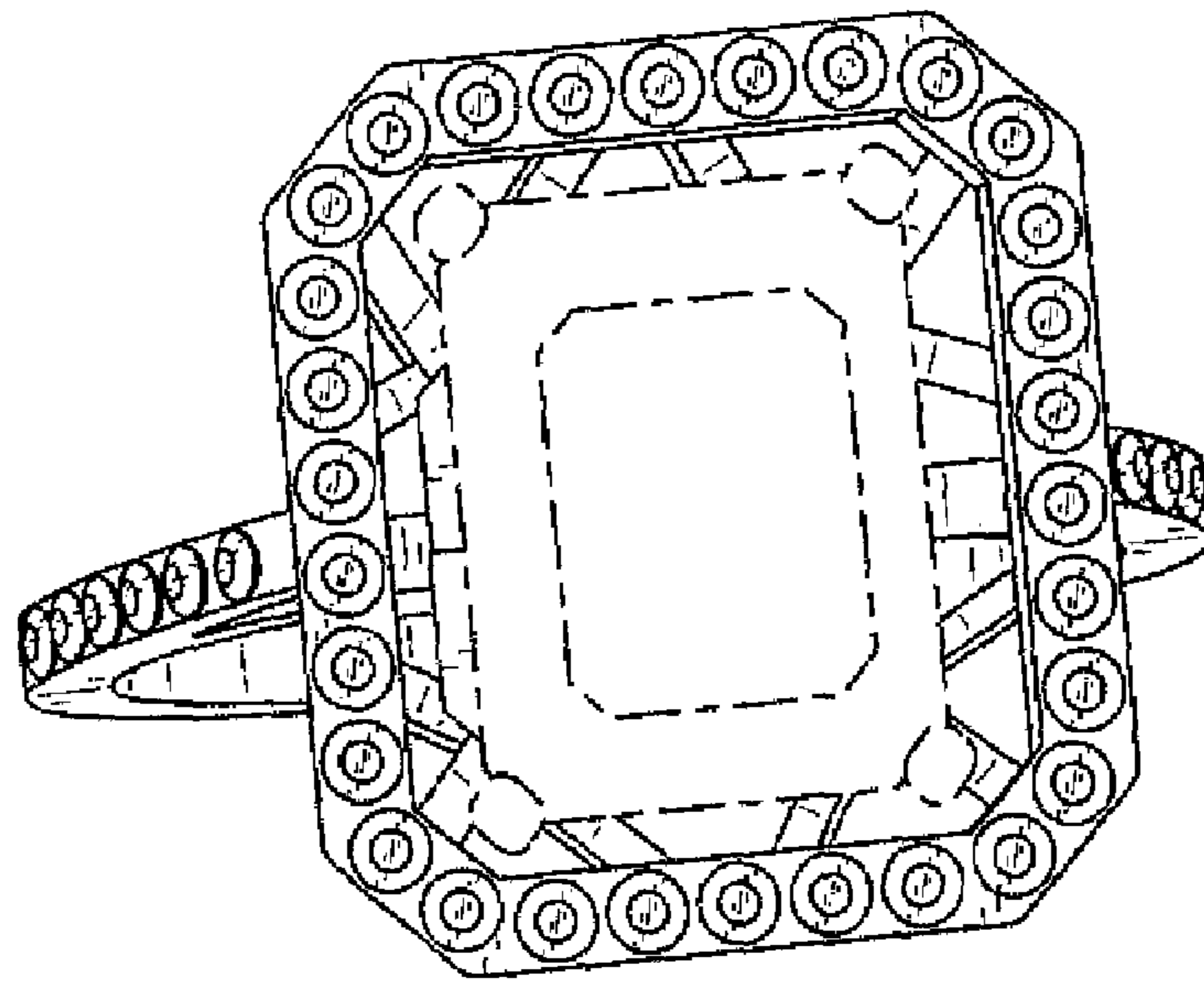


FIG. 14

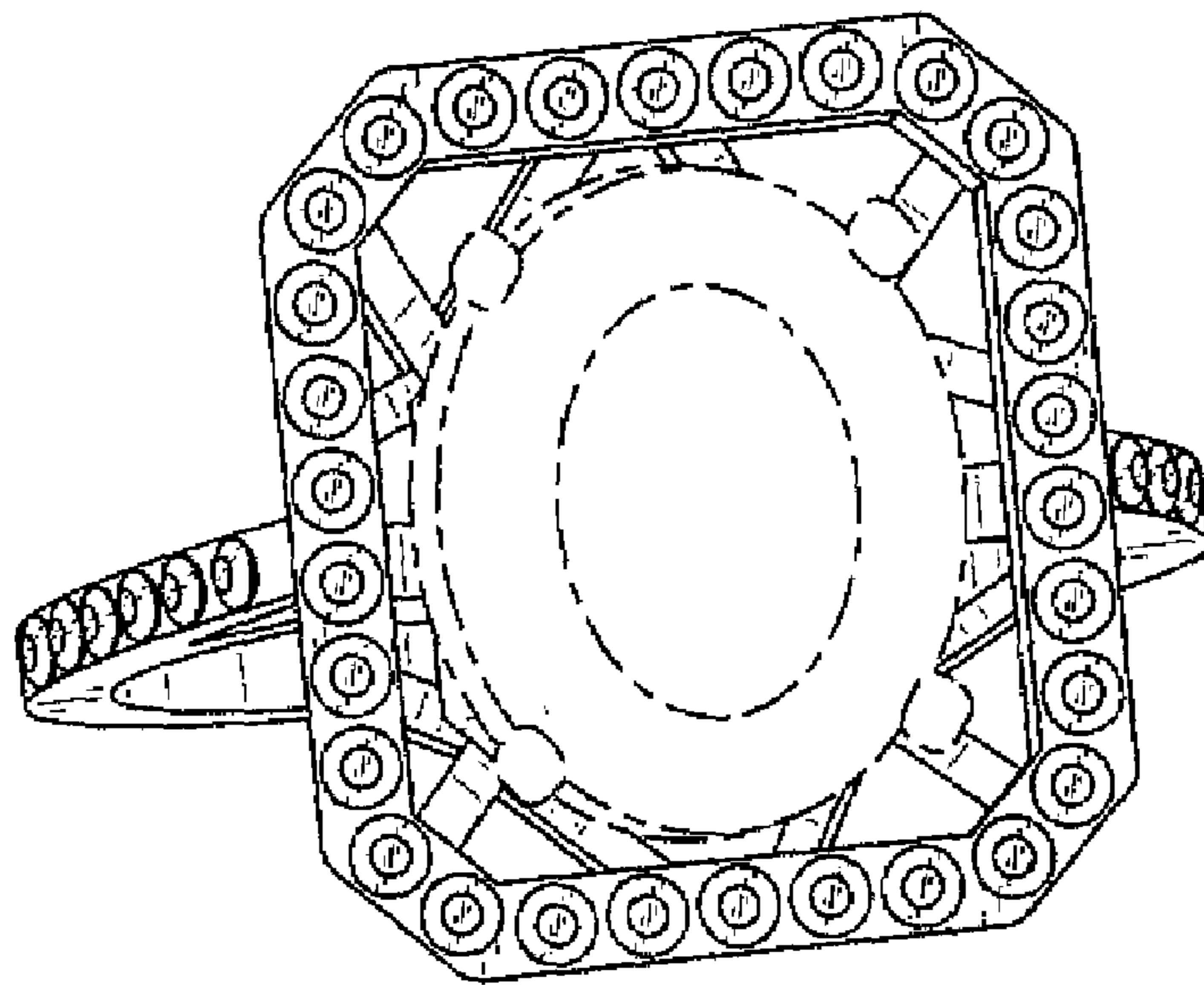


FIG. 15

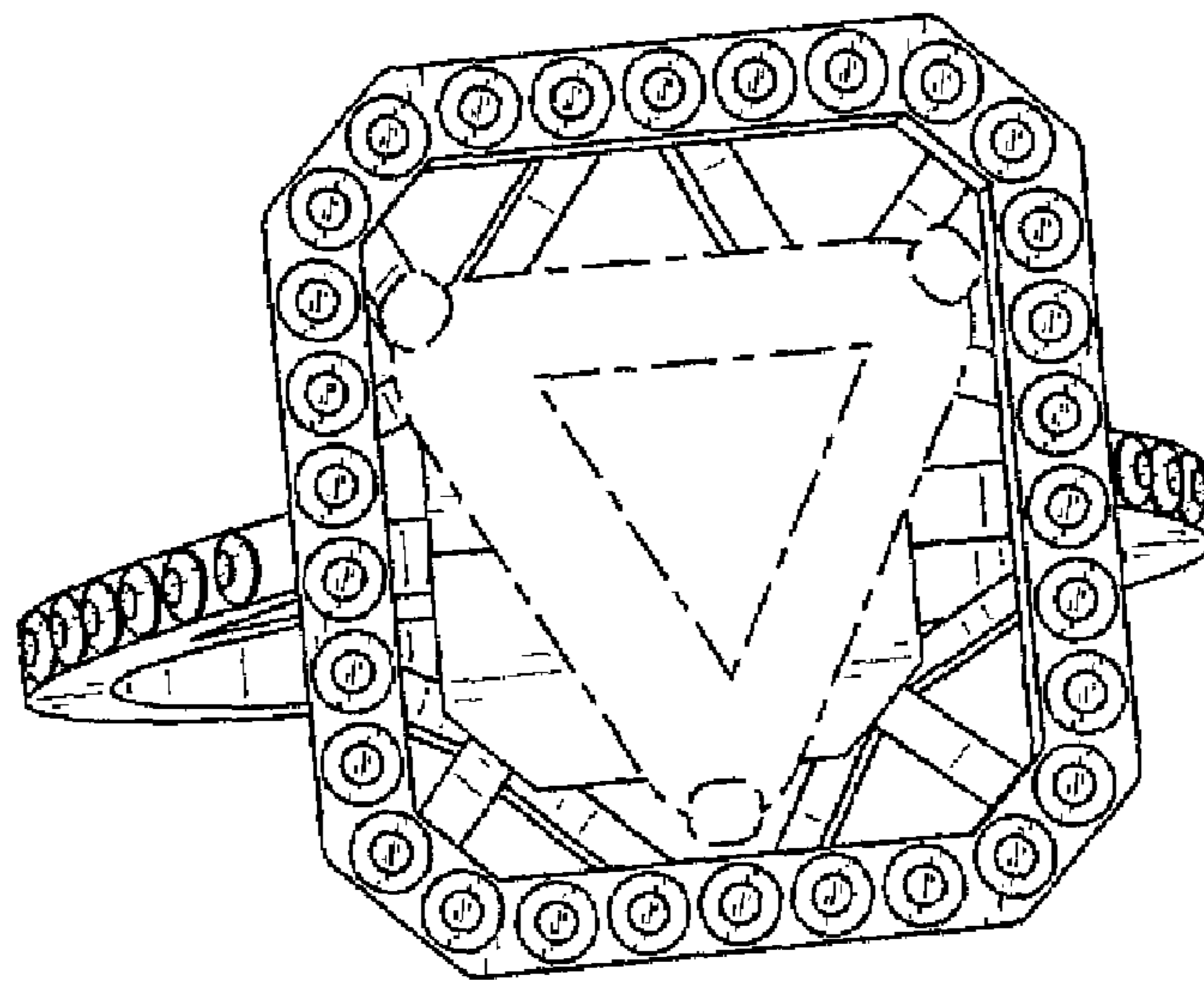


FIG. 16