



US00D602800S

(12) **United States Design Patent**
Sorenson

(10) **Patent No.:** **US D602,800 S**

(45) **Date of Patent:** **** Oct. 27, 2009**

(54) **ZIPPER NECKLACE**

(76) **Inventor:** **Gary Sorenson**, 3301 NW. Boca Raton Blvd., #200, Boca Raton, FL (US) 33431

(**) **Term:** **14 Years**

(21) **Appl. No.:** **29/331,823**

(22) **Filed:** **Feb. 2, 2009**

(51) **LOC (9) Cl.** **11-01**

(52) **U.S. Cl.** **D11/5**

(58) **Field of Classification Search** D11/1-26,
D11/93, 94; 63/1.11, 3.1, 3, 3.2, 5.1, 5.2,
63/7-11; 59/79.2, 78

See application file for complete search history.

(56) **References Cited**

U.S. PATENT DOCUMENTS

1,557,506	A *	10/1925	Walthers	47/41.01
2,416,034	A *	2/1947	Weed	63/3.1
D151,370	S *	10/1948	Katz	D11/8
3,225,565	A *	12/1965	Bohlinger et al.	63/3.2
4,237,702	A *	12/1980	Caverly	63/3.2
D265,638	S *	8/1982	Barr	D11/10
D374,306	S *	10/1996	Query	D28/10

6,014,871	A *	1/2000	Romano	63/41
D456,733	S *	5/2002	Hafner	D11/3
D580,811	S *	11/2008	Bulgari	D11/16

* cited by examiner

Primary Examiner—Cathron C Brooks

Assistant Examiner—Melanie Levy

(74) *Attorney, Agent, or Firm*—Feldman Gale P.A.; Michael C. Casarano

(57) **CLAIM**

The ornamental design for a “zipper necklace,” as shown and described.

DESCRIPTION

FIG. 1 is a front perspective view of the zipper necklace.

FIG. 2 is a front view of the zipper necklace.

FIG. 3 is a right perspective view of the zipper necklace.

FIG. 4 is a right side view of the zipper necklace.

FIG. 5 is a bottom view of the zipper necklace; and,

FIG. 6 is a bottom perspective view of the zipper necklace.

The “zipper necklace” design is characterized as a necklace.

1 Claim, 4 Drawing Sheets

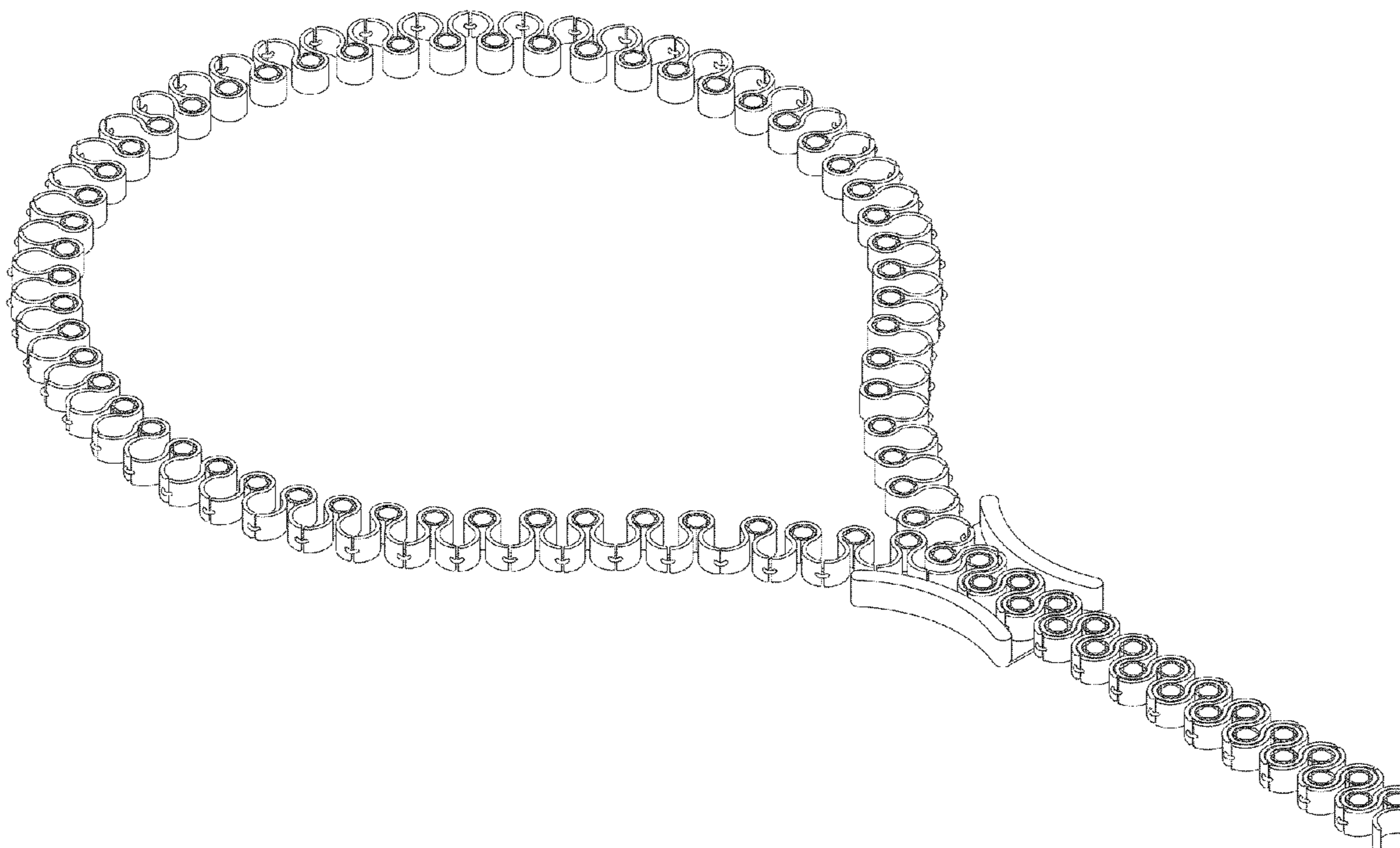




FIG. 1



FIG. 2

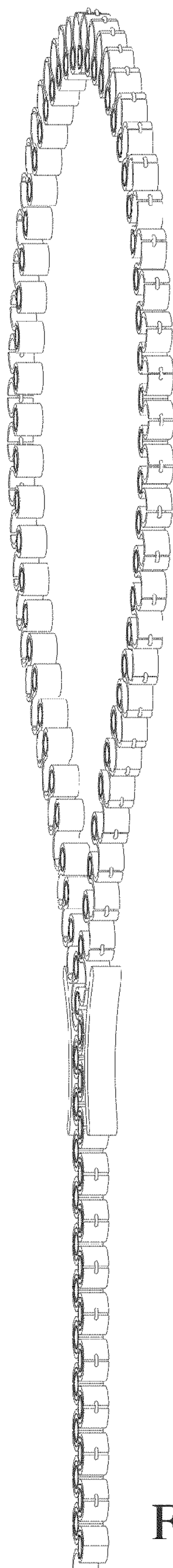


FIG. 3



FIG. 4



FIG. 5

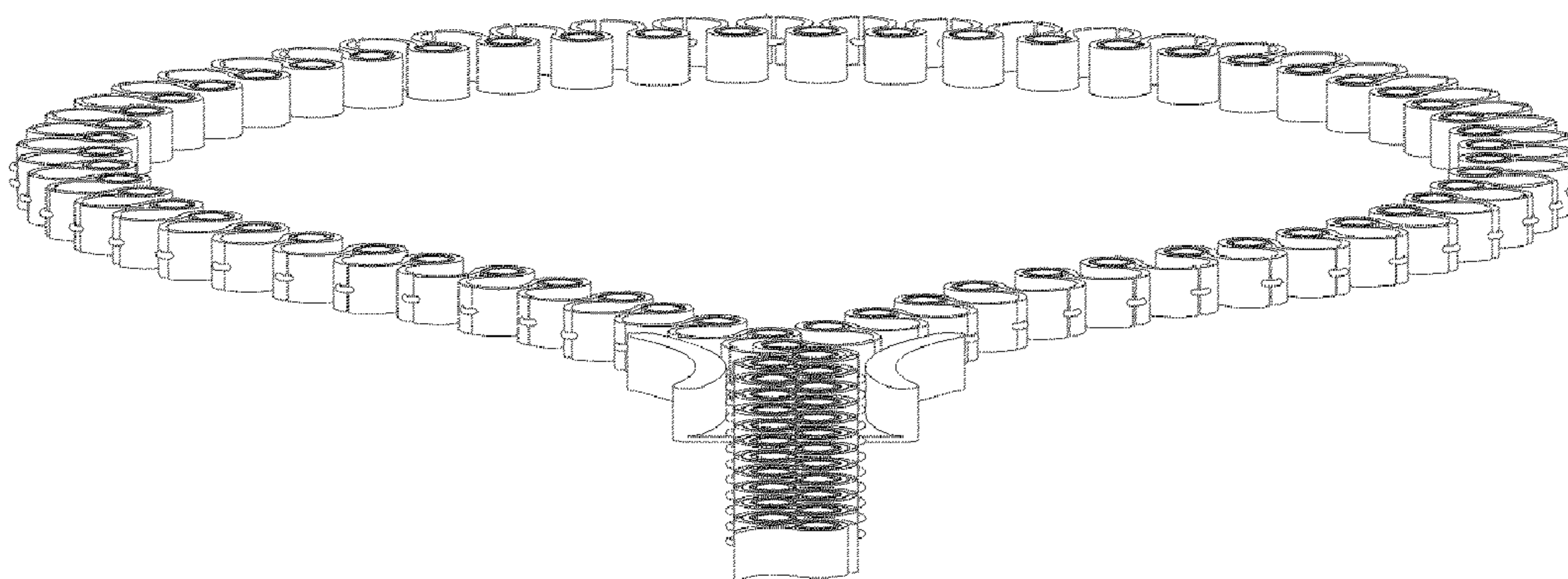


FIG. 6