



US00D602797S

(12) **United States Design Patent**  
**Marks et al.**

(10) **Patent No.:** **US D602,797 S**

(45) **Date of Patent:** **\*\* Oct. 27, 2009**

(54) **SMOKE DETECTOR WITH REMOTE ALARM SILENCING MEANS**

(76) Inventors: **Mitchell J. Marks**, 9158 N. Alpine La., Brown Deer, WI (US) 53223; **James N. Richey**, 7236 S. 69th St., Franklin, WI (US) 53132

(\*\*) Term: **14 Years**

(21) Appl. No.: **29/305,214**

(22) Filed: **Mar. 14, 2008**

(51) **LOC (9) Cl.** ..... **10-05**

(52) **U.S. Cl.** ..... **D10/106**

(58) **Field of Classification Search** ..... D10/104, D10/106, 40-45; 340/521, 540-545, 555, 340/558, 571, 572, 573, 628-630; 362/82, 362/83, 186, 253; 58/50 R; D26/72, 74; D14/204, 209, 210, 214, 221

See application file for complete search history.

(56) **References Cited**

**U.S. PATENT DOCUMENTS**

D209,536 S \* 12/1967 McCain ..... D26/74  
D302,430 S \* 7/1989 Matsushima et al. .... D14/214

D416,260 S \* 11/1999 Harvey et al. .... D14/215  
D461,465 S \* 8/2002 Lytel ..... D14/214  
D540,784 S \* 4/2007 Yoon ..... D14/215  
D545,487 S \* 6/2007 Bynum et al. .... D26/120

\* cited by examiner

*Primary Examiner*—Caron Veynar

*Assistant Examiner*—Geroge D Kirschbaum

(74) *Attorney, Agent, or Firm*—Joseph S. Heino; Patrick M. Bergin

(57) **CLAIM**

The ornamental design for a smoke detector with remote alarm silencing means, as shown and described.

**DESCRIPTION**

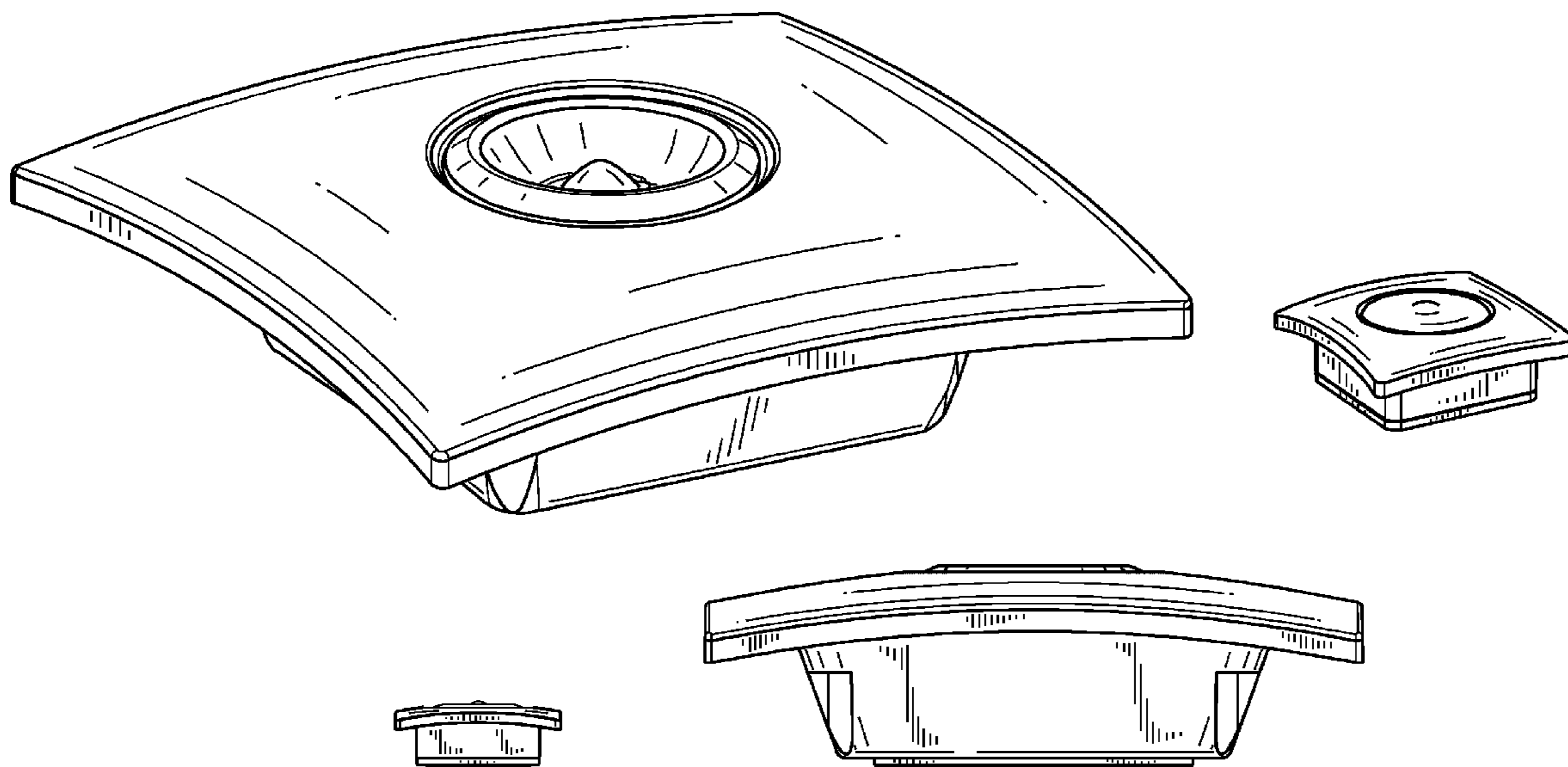
FIG. 1 is a front, top and side perspective view of the smoke detector with remote alarm silencing means showing our new design;

FIG. 2 is a bottom plan view thereof;

FIG. 3 is a front elevational view thereof, the rear elevational view and the side elevational views being the same as this front elevational view; and,

FIG. 4 is a top plan view thereof.

**1 Claim, 3 Drawing Sheets**



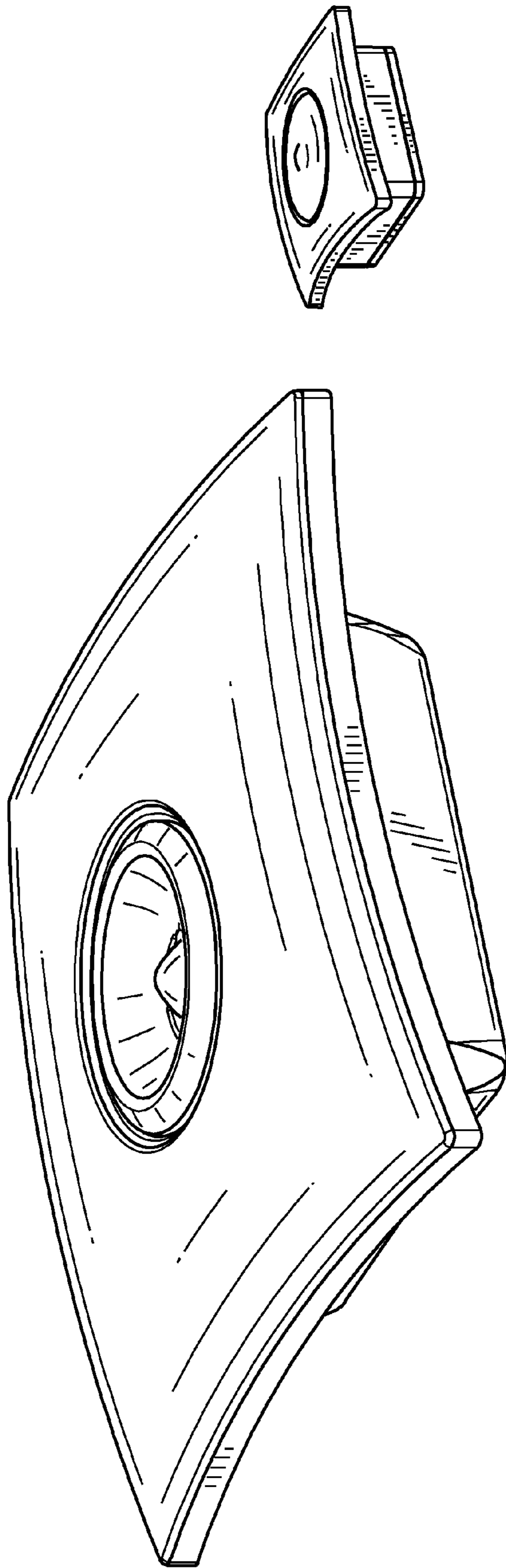


FIG. 1

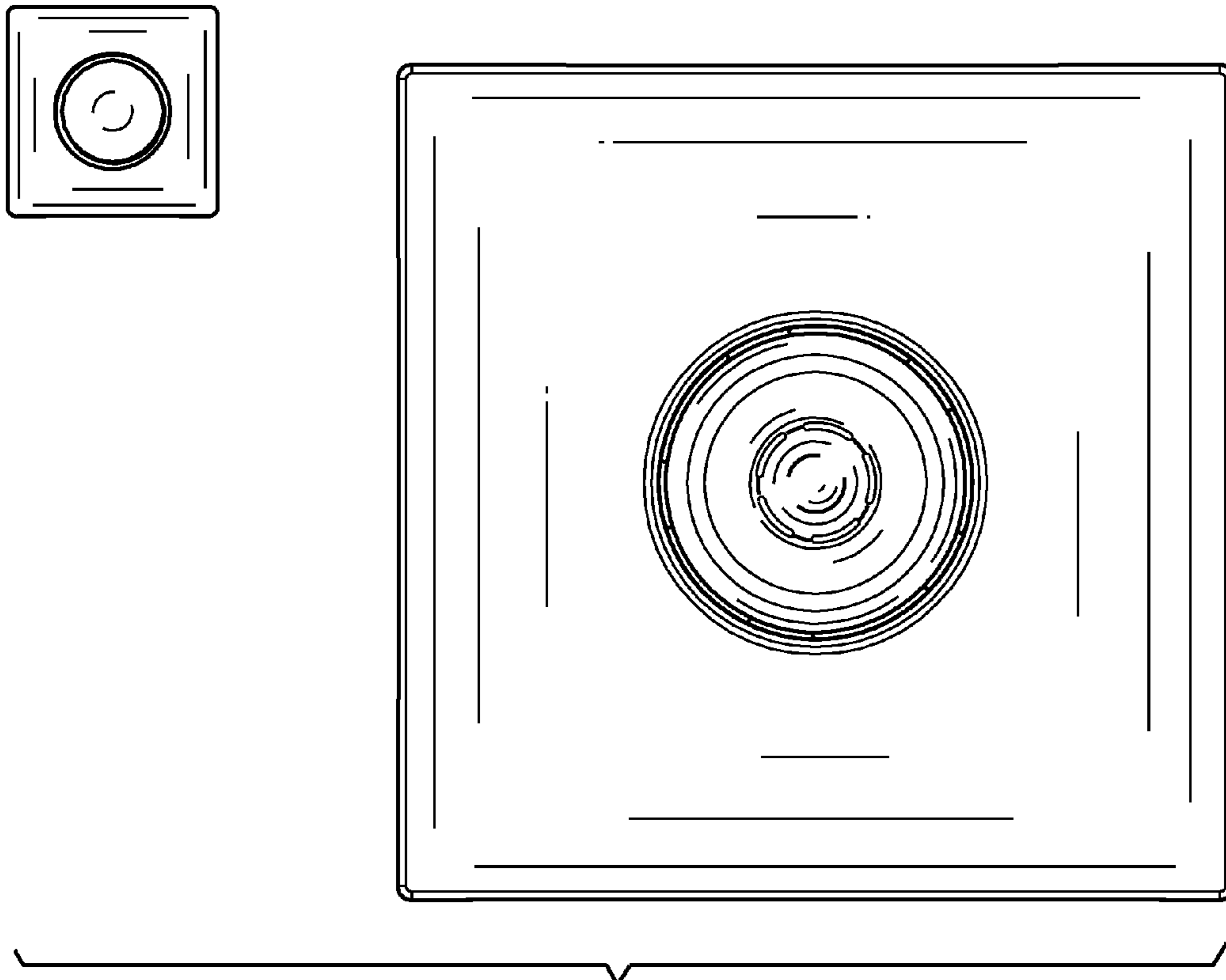


FIG. 2

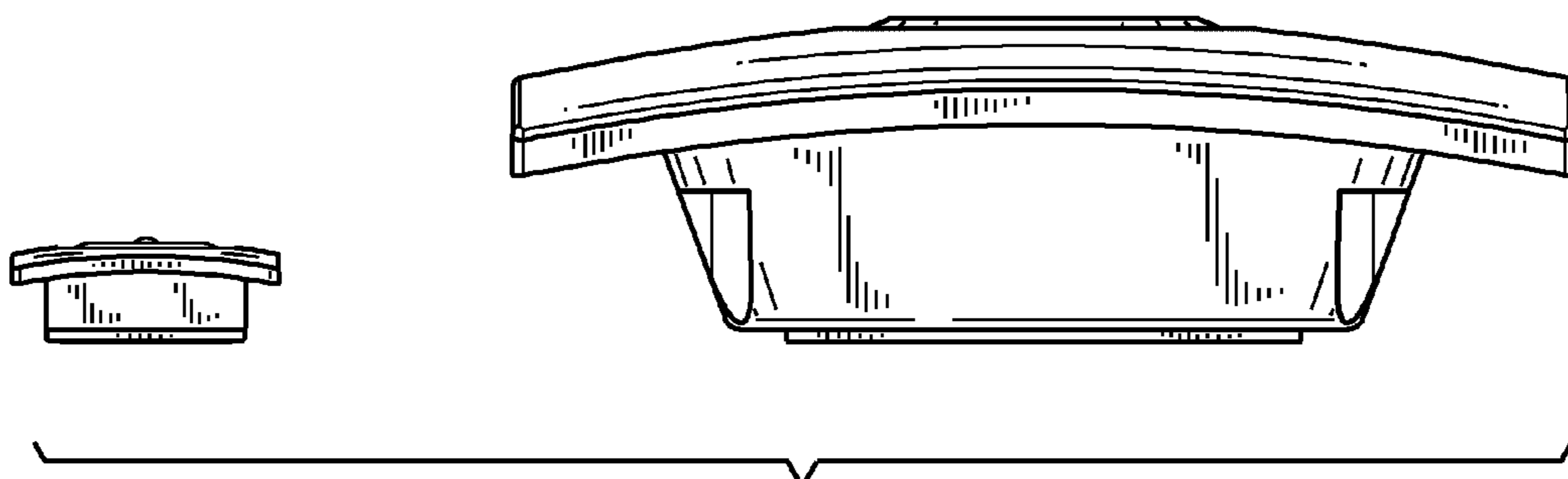


FIG. 3

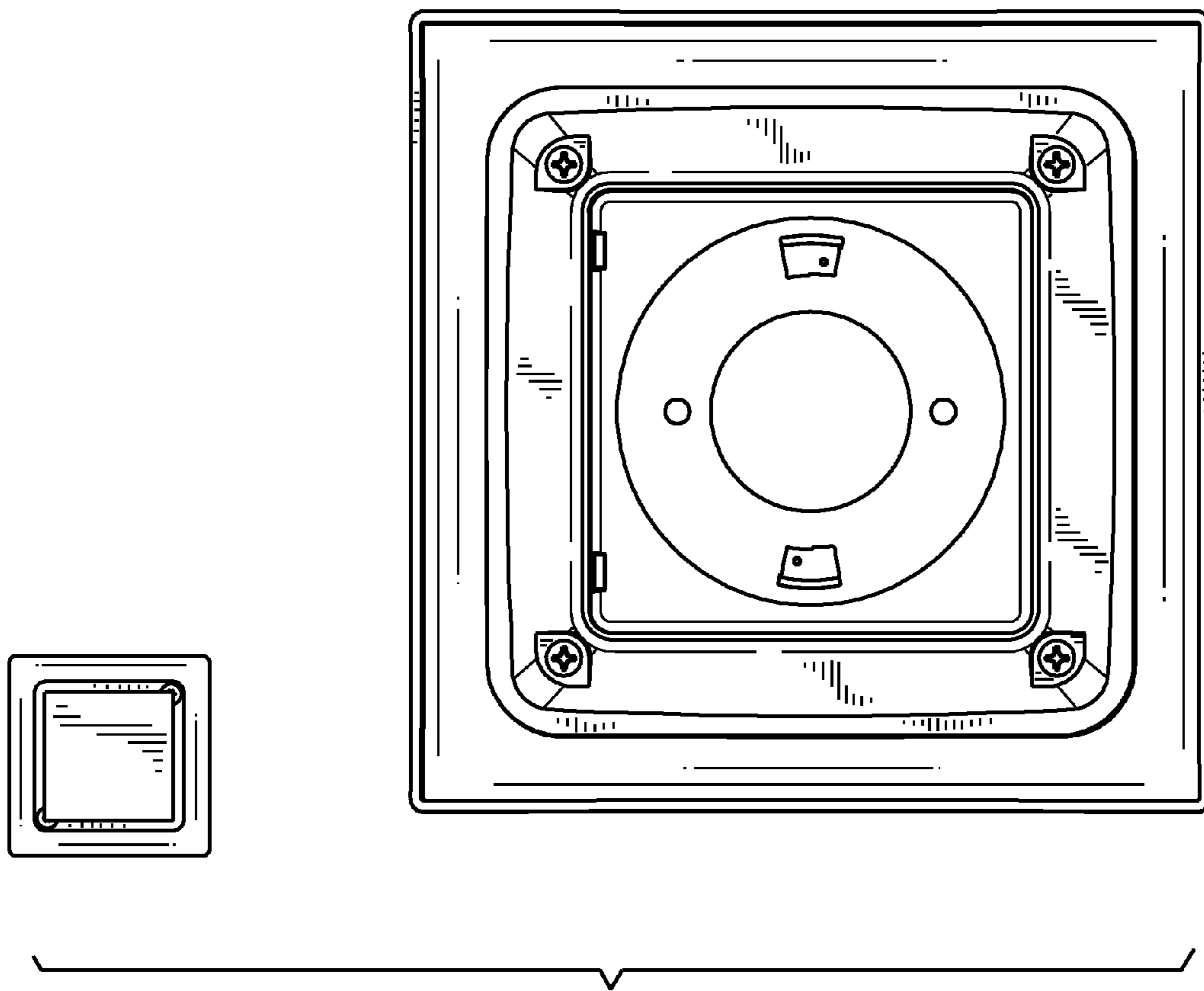


FIG. 4