



US00D602786S

(12) **United States Design Patent**
Moriya

(10) **Patent No.:** **US D602,786 S**
(45) **Date of Patent:** **** Oct. 27, 2009**

- (54) **JAR**
- (75) Inventor: **Minami Moriya**, Nakano-ku (JP)
- (73) Assignee: **The Procter & Gamble Company**, Cincinnati, OH (US)
- (**) Term: **14 Years**
- (21) Appl. No.: **29/310,186**
- (22) Filed: **Jul. 31, 2008**
- (51) **LOC (9) Cl.** **09-01**
- (52) **U.S. Cl.** **D9/561; D9/575; D9/435**
- (58) **Field of Classification Search** D9/516, D9/529, 561, 574-575, 435; D3/201, 203.2, D3/203.3; D28/76; 215/382-384
See application file for complete search history.

- (56) **References Cited**
- U.S. PATENT DOCUMENTS
- D57,707 S * 4/1921 Morrison D9/529 X
- D85,067 S * 9/1931 Sterrett D9/561
- D115,068 S * 5/1939 Jensen D9/561
- D225,730 S * 1/1973 Peterson D9/529
- 5,147,059 A * 9/1992 Olsen et al. 220/281
- D373,084 S * 8/1996 Choi D9/529 X
- D392,192 S * 3/1998 Fiore D9/529
- D446,456 S * 8/2001 Adachi et al. D9/529
- D468,209 S * 1/2003 Joubert D9/529
- D478,819 S * 8/2003 Pfaeffli et al. D9/559
- D526,908 S * 8/2006 Blasko et al. D9/693
- D547,193 S * 7/2007 Blasko et al. D9/529
- D558,579 S * 1/2008 Blasko et al. D9/561 X

- D559,690 S * 1/2008 Canamasas Puigbo ... D9/574 X
- D581,279 S * 11/2008 Oates D9/435 X
- D581,280 S * 11/2008 Oates D28/76 X

FOREIGN PATENT DOCUMENTS

- GB 3022312 * 10/2005
- * cited by examiner

Primary Examiner—Carol Rademaker
(74) *Attorney, Agent, or Firm*—Linda M. Sivik

(57) **CLAIM**

The ornamental design for jar, as shown and described.

DESCRIPTION

FIG. 1 is a perspective view of a jar embodying our new design;

FIG. 2 is a front elevational view thereof;

FIG. 3 is a back elevational view thereof;

FIG. 4 is a top plan view thereof;

FIG. 5 is a bottom plan view thereof;

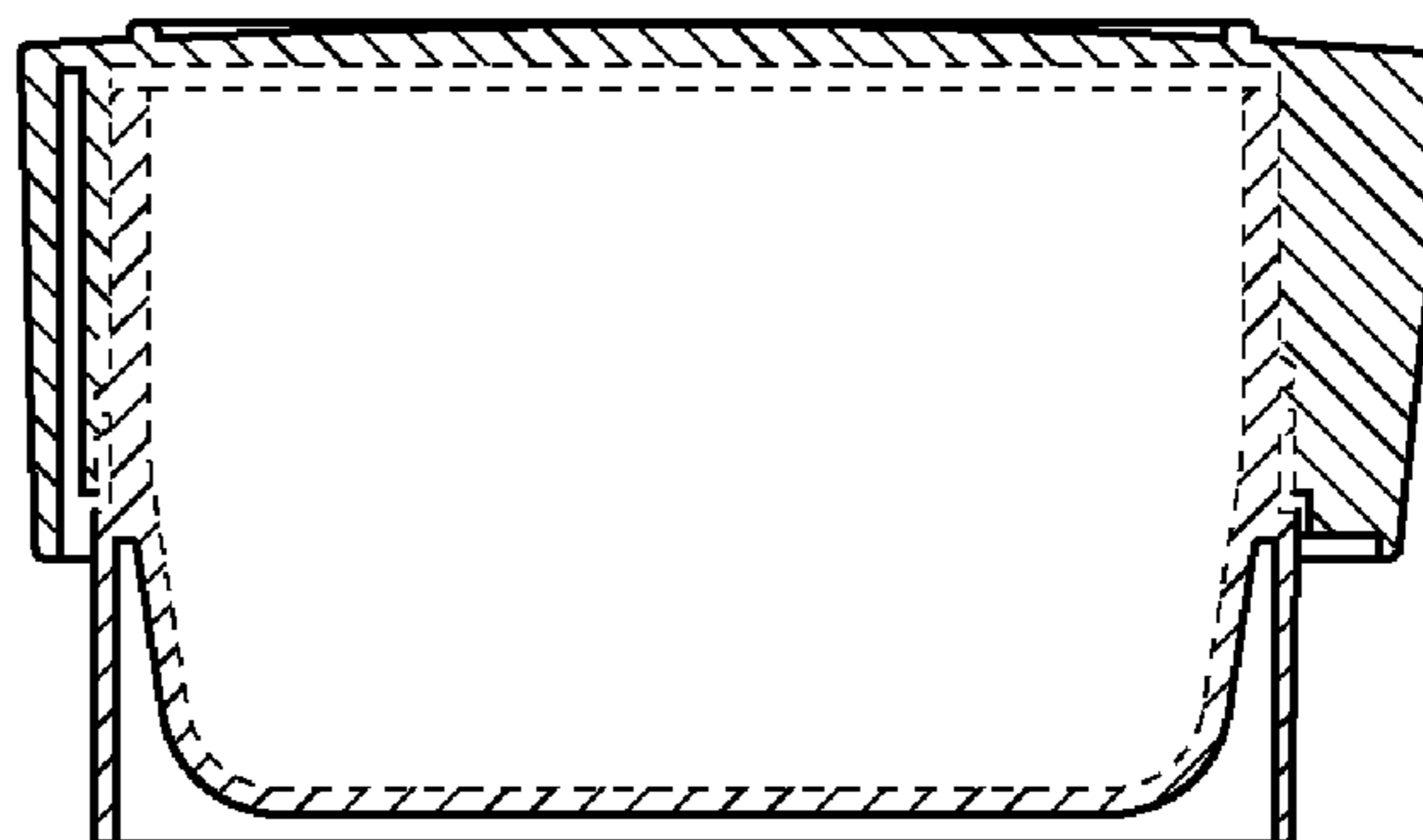
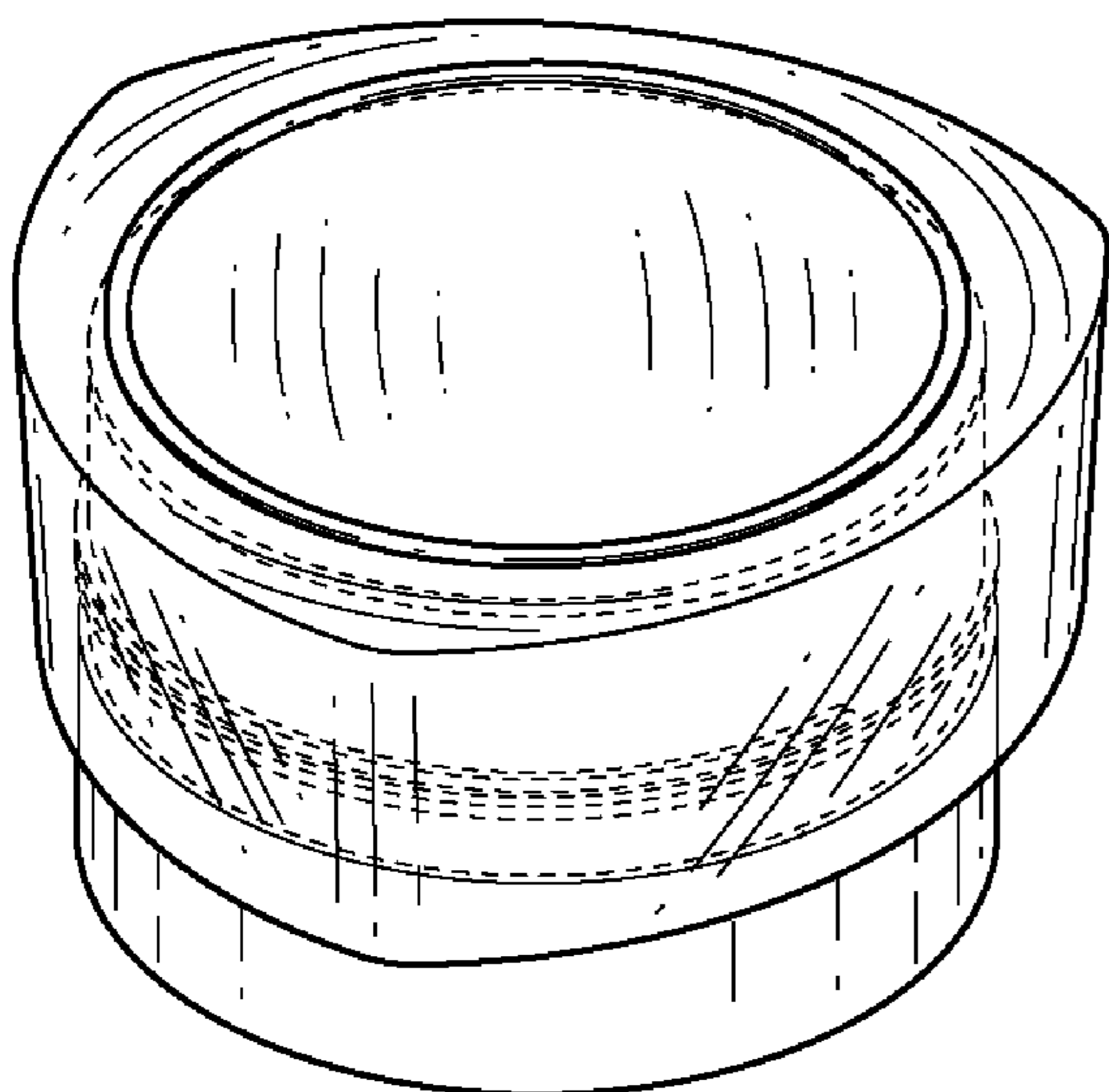
FIG. 6 is a right side elevational view thereof, the left side elevational view being a mirror image; and,

FIG. 7 is a cross sectional view thereof, taken at section line 7—7 as shown in FIG. 2.

The broken lines shown in the drawing views are included for the purpose of showing environmental structure that forms no part of the claimed design.

The cap is translucent.

1 Claim, 4 Drawing Sheets



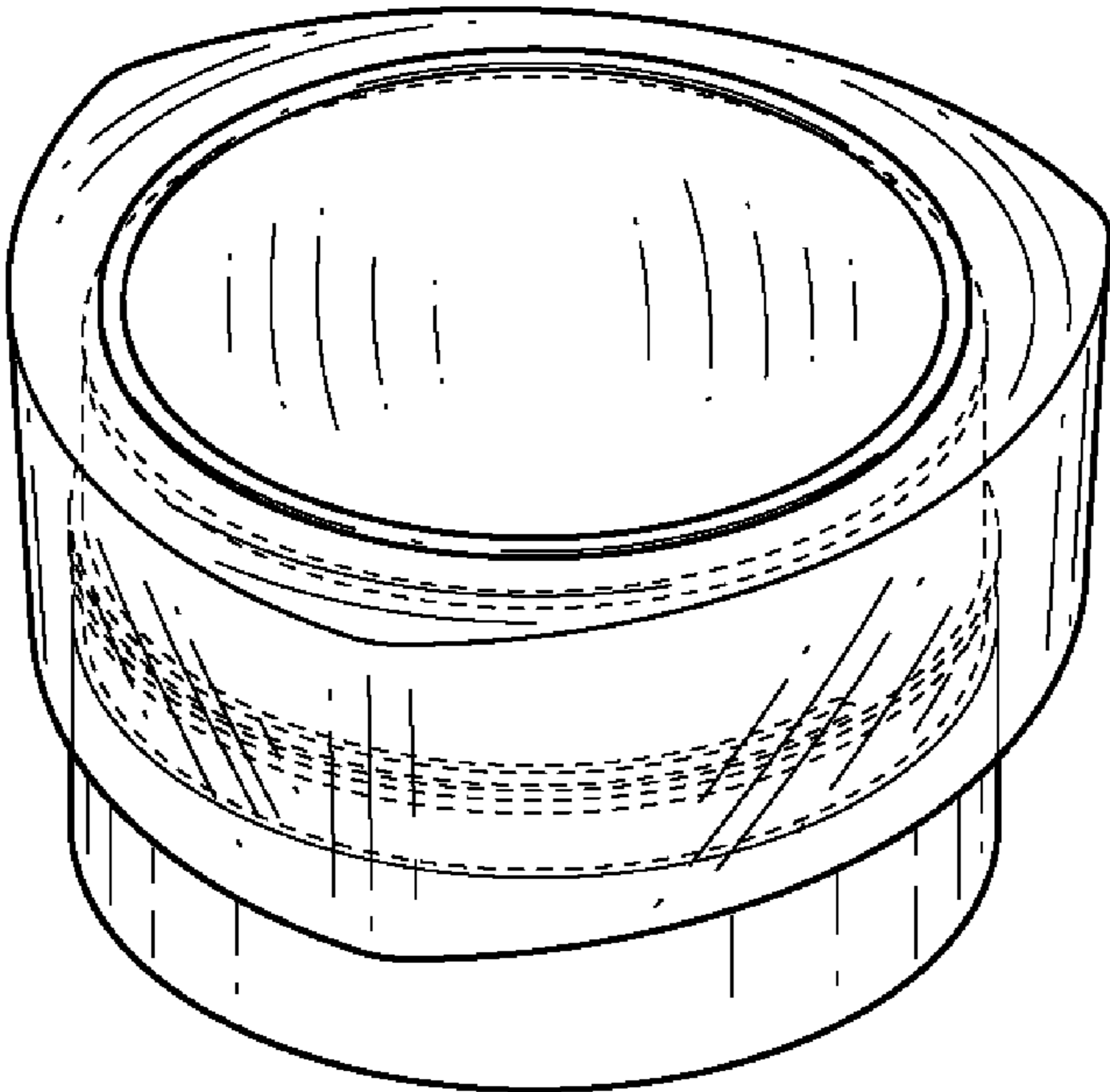


Fig. 1

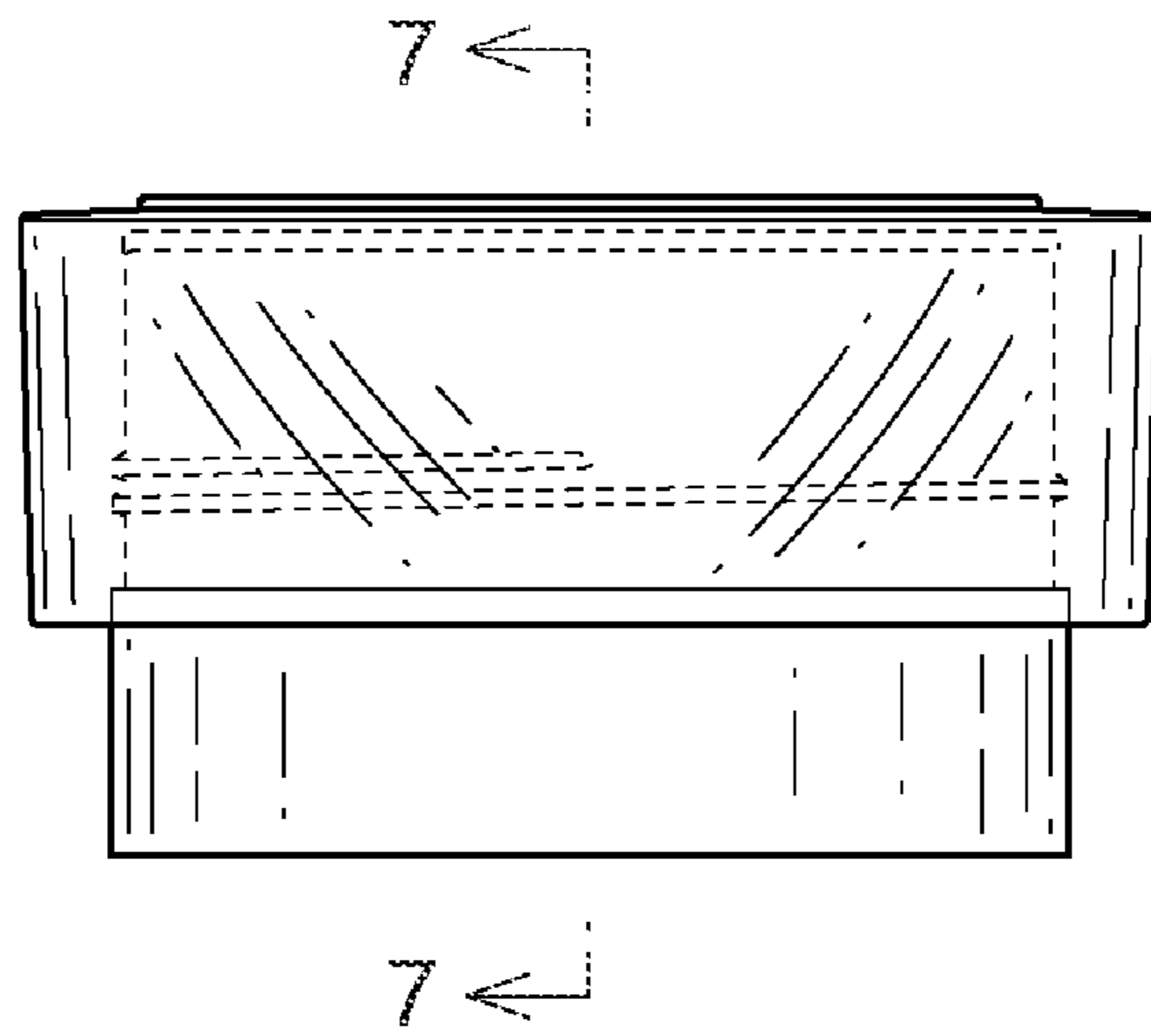


Fig. 2

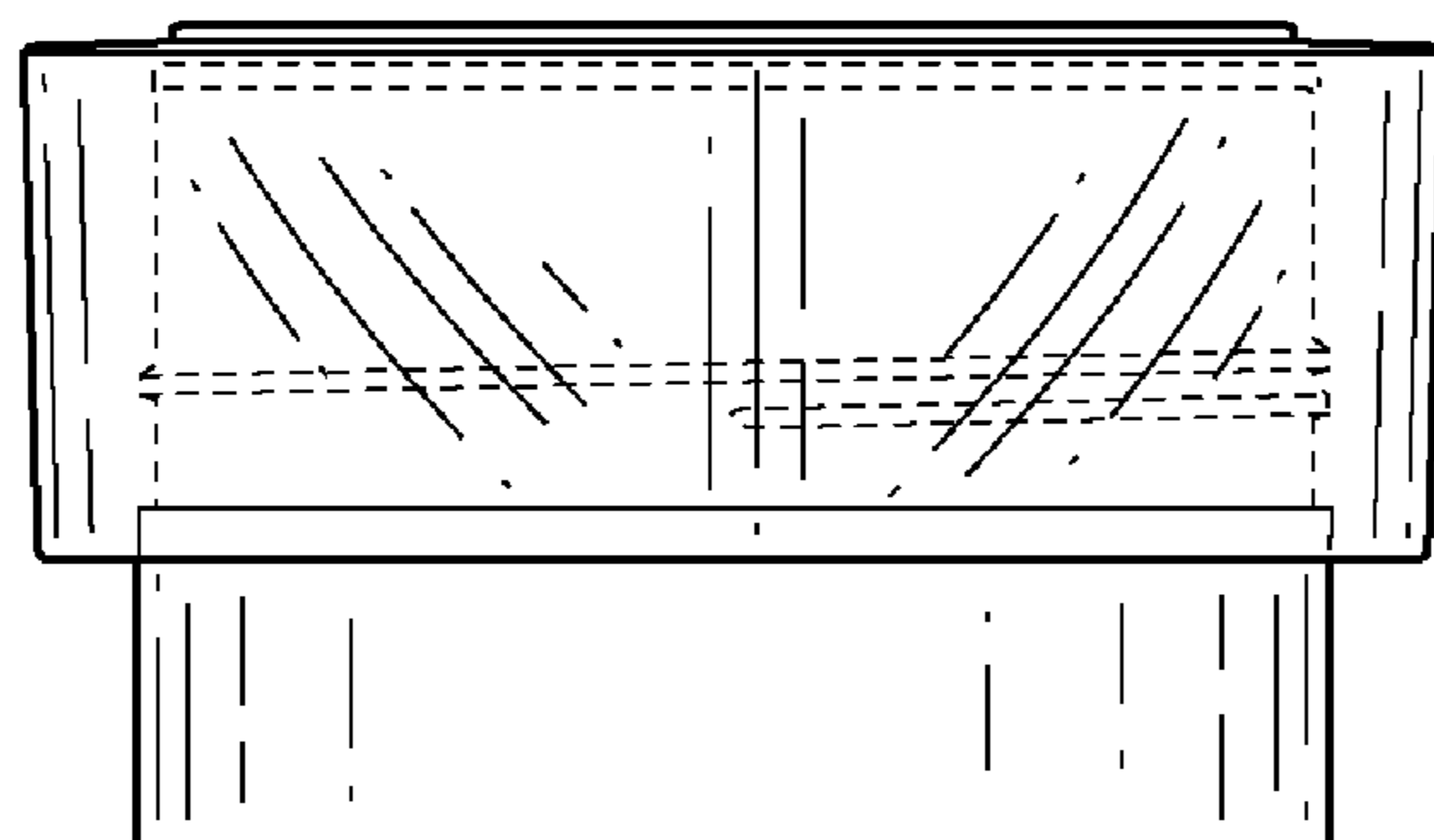


Fig. 3

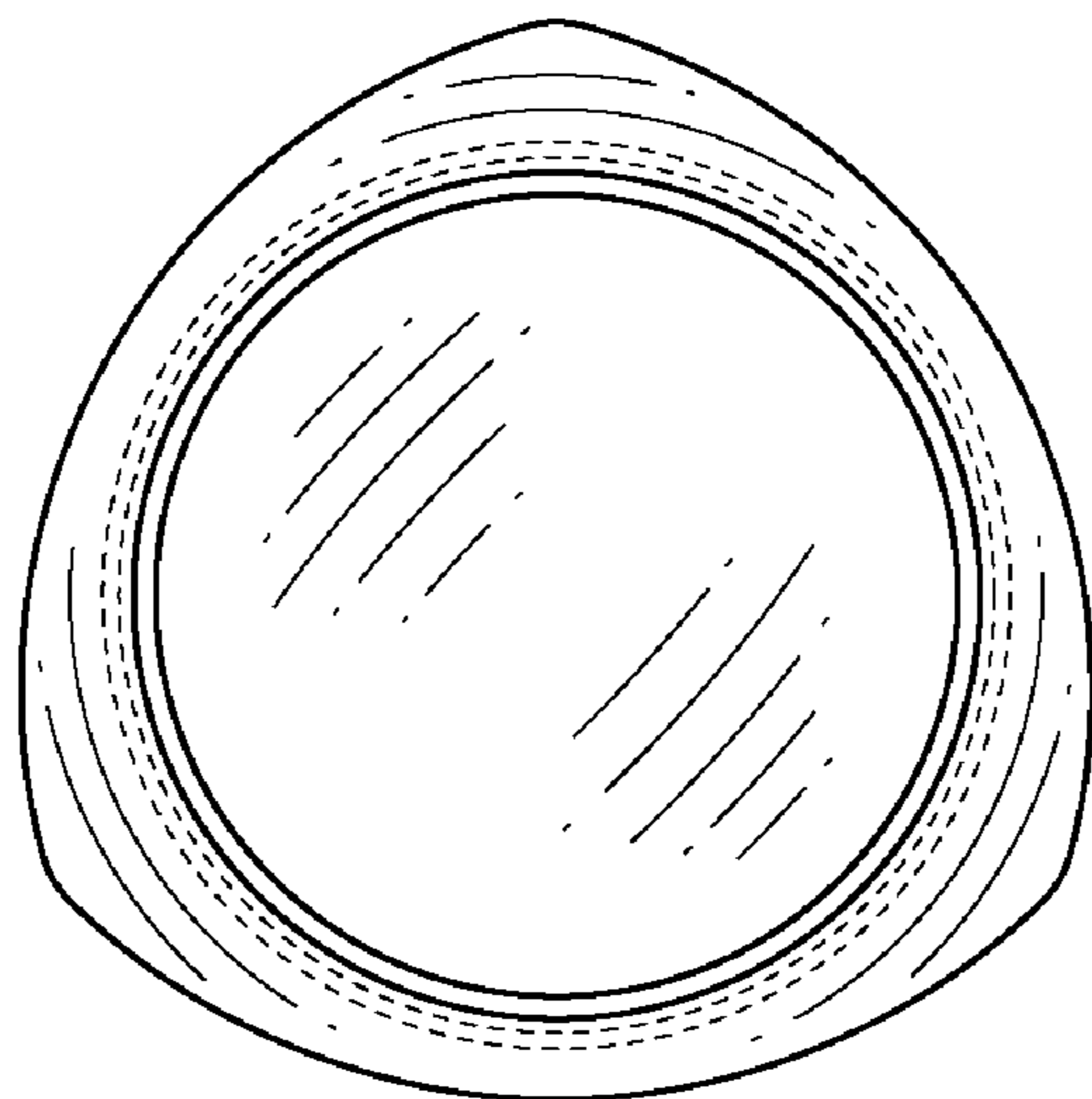


Fig. 4

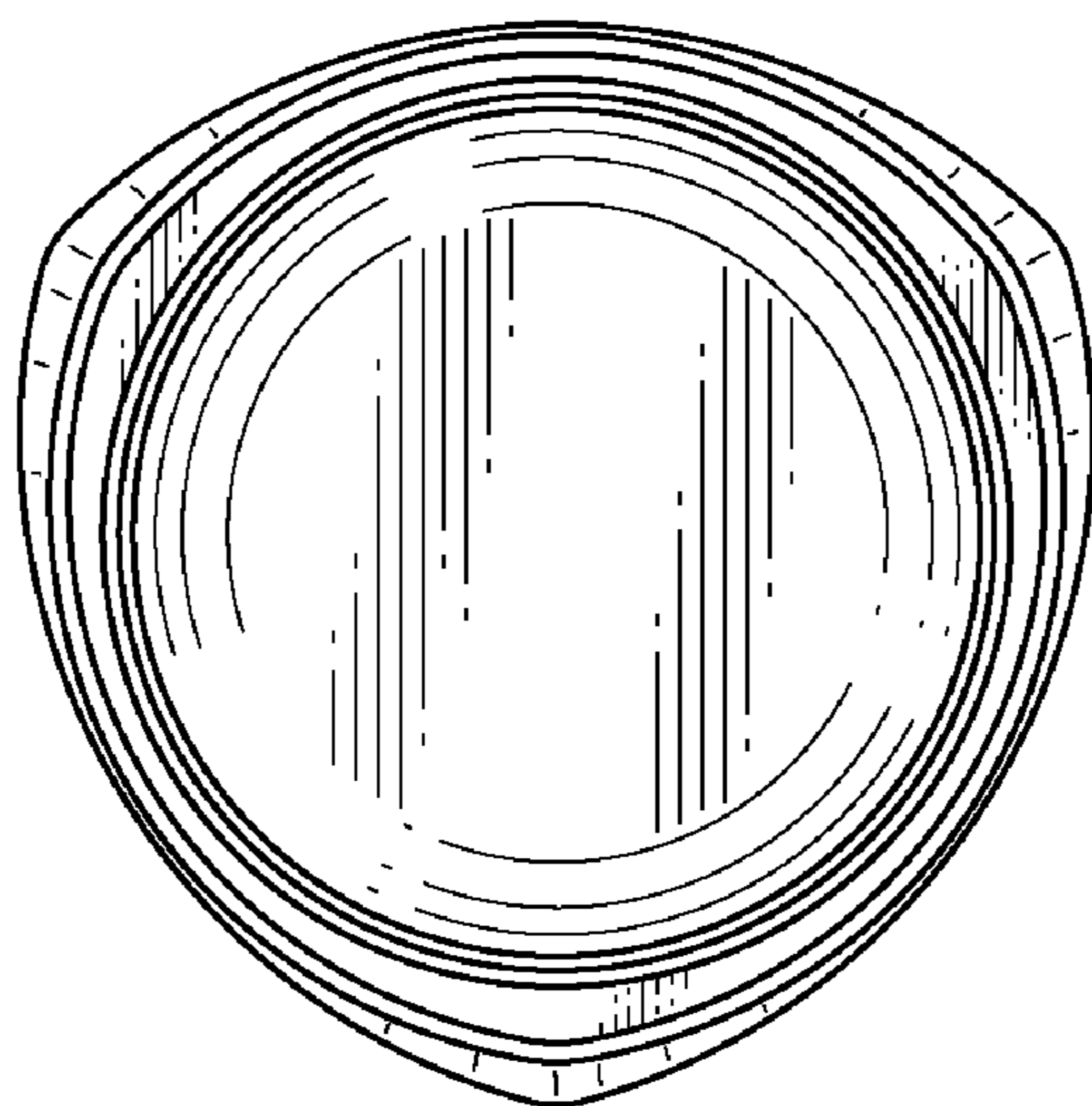


Fig. 5

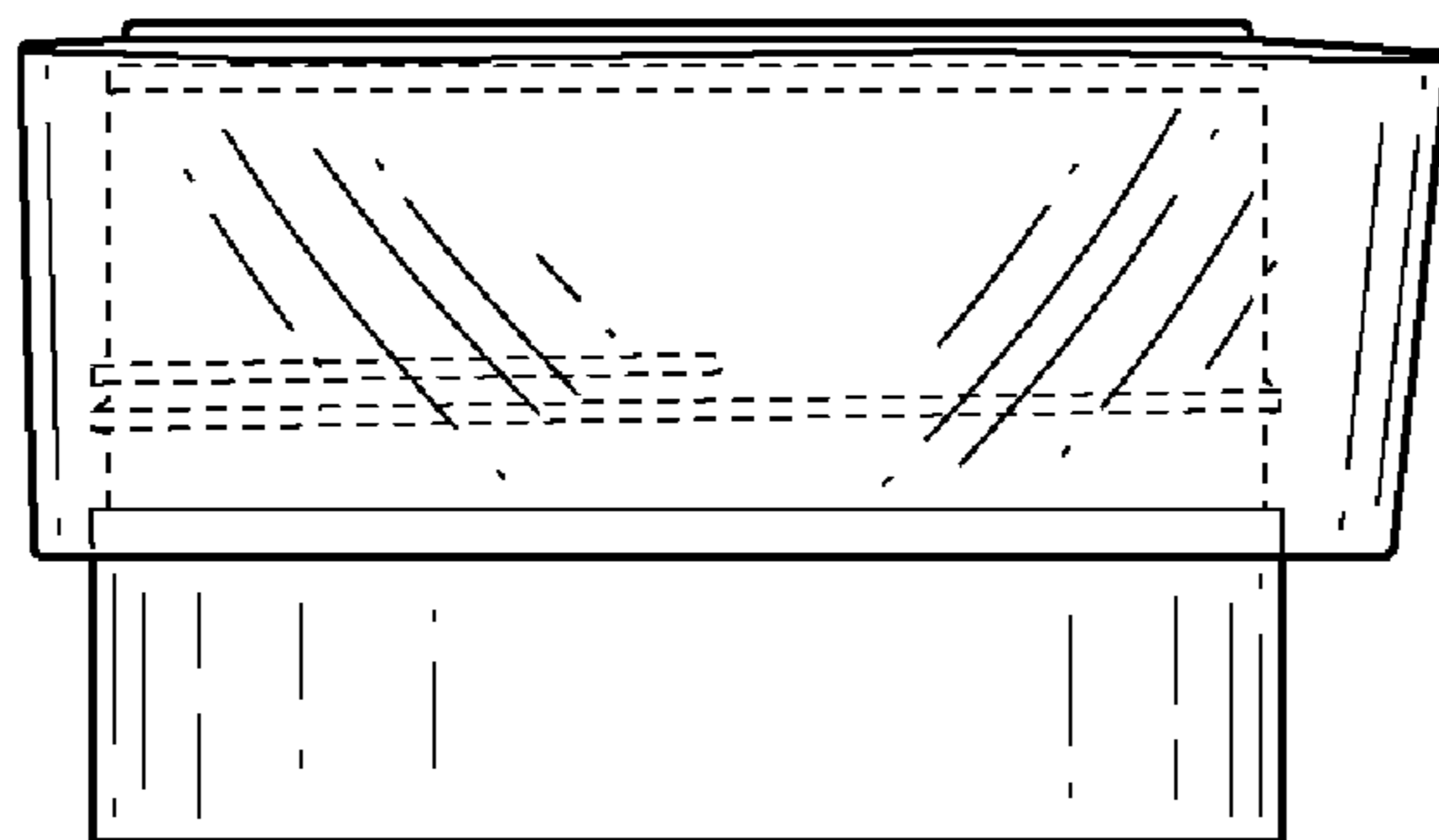


Fig. 6

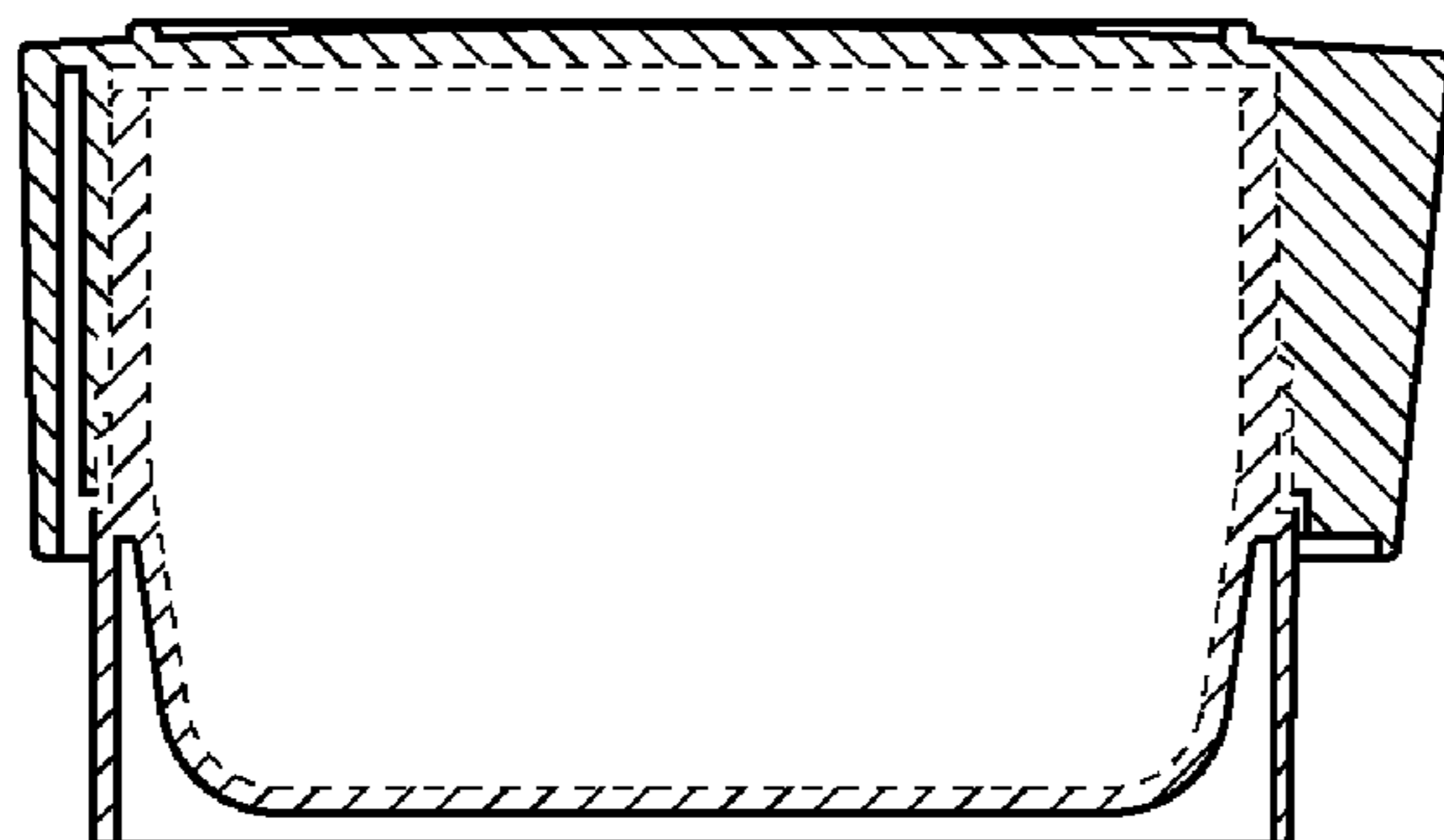


Fig. 7