



US00D602785S

(12) **United States Design Patent**  
**Rothberg et al.**

(10) **Patent No.:** **US D602,785 S**

(45) **Date of Patent:** **\*\* Oct. 27, 2009**

(54) **BOTTLE**

(75) Inventors: **Jonathan M. Rothberg**, Guilford, CT (US); **Wolfgang Hinz**, New Haven, CT (US)

(73) Assignee: **Ion Torrent Systems Incorporated**, Guilford, CT (US)

(\*\*) Term: **14 Years**

(21) Appl. No.: **29/325,007**

(22) Filed: **Sep. 24, 2008**

(51) **LOC (9) Cl.** ..... **09-01**

(52) **U.S. Cl.** ..... **D9/560; D9/547; D9/573**

(58) **Field of Classification Search** ..... D9/434, D9/435, 516, 529, 530, 537-539, 542, 544-547, D9/549, 551, 553, 556-560, 572-574, 440, D9/447; 215/381-385; 220/662, 669  
See application file for complete search history.

(56) **References Cited**

**U.S. PATENT DOCUMENTS**

- D311,681 S \* 10/1990 Aggarwal ..... D9/547
- D401,115 S \* 11/1998 Huang ..... D7/589
- D412,276 S \* 7/1999 Arslanian ..... D9/661
- D474,406 S \* 5/2003 Kaposi ..... D9/505

- D555,489 S \* 11/2007 Corrado ..... D9/547
- D580,009 S \* 11/2008 LeJeune ..... D23/209
- D595,990 S \* 7/2009 Rothberg et al. .... D7/300.2

\* cited by examiner

*Primary Examiner*—Stella M Reid

*Assistant Examiner*—Keli L Hill

(74) *Attorney, Agent, or Firm*—Wolf, Greenfield & Sacks, P.C.

(57) **CLAIM**

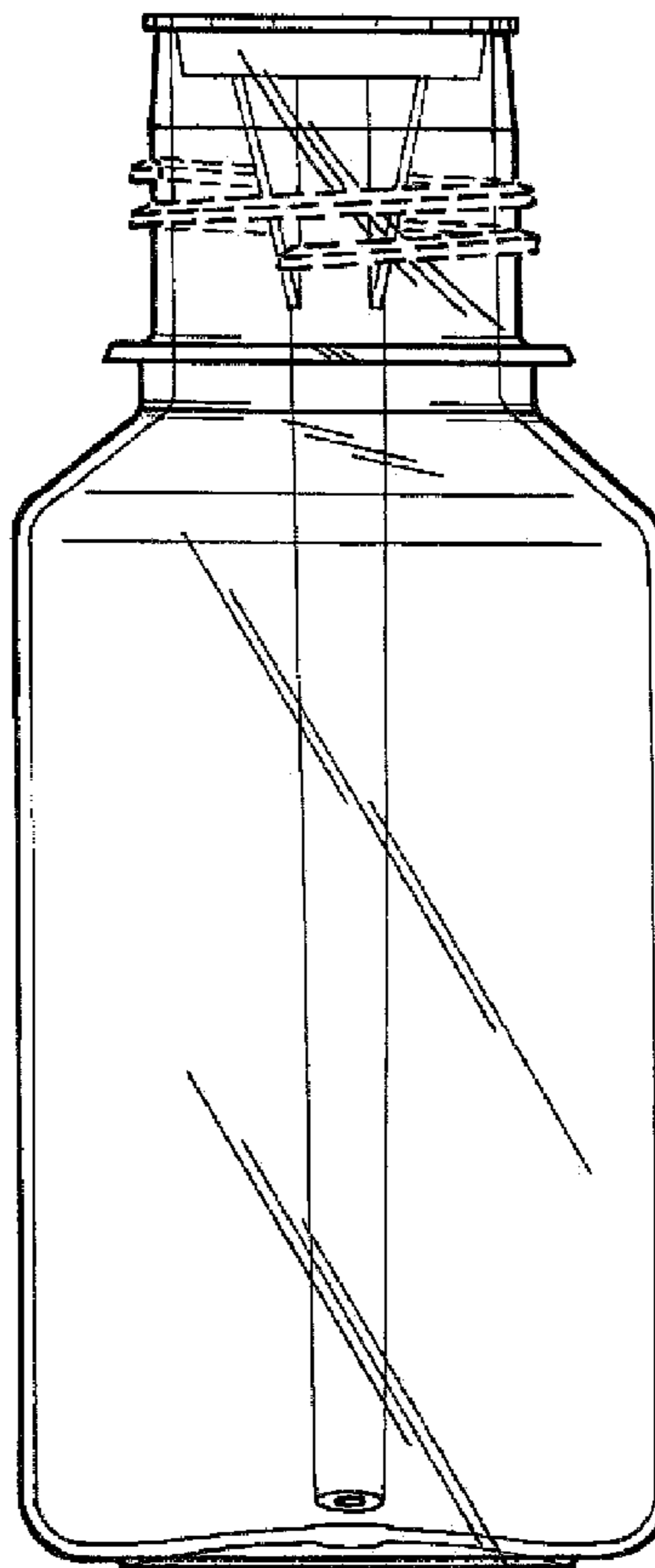
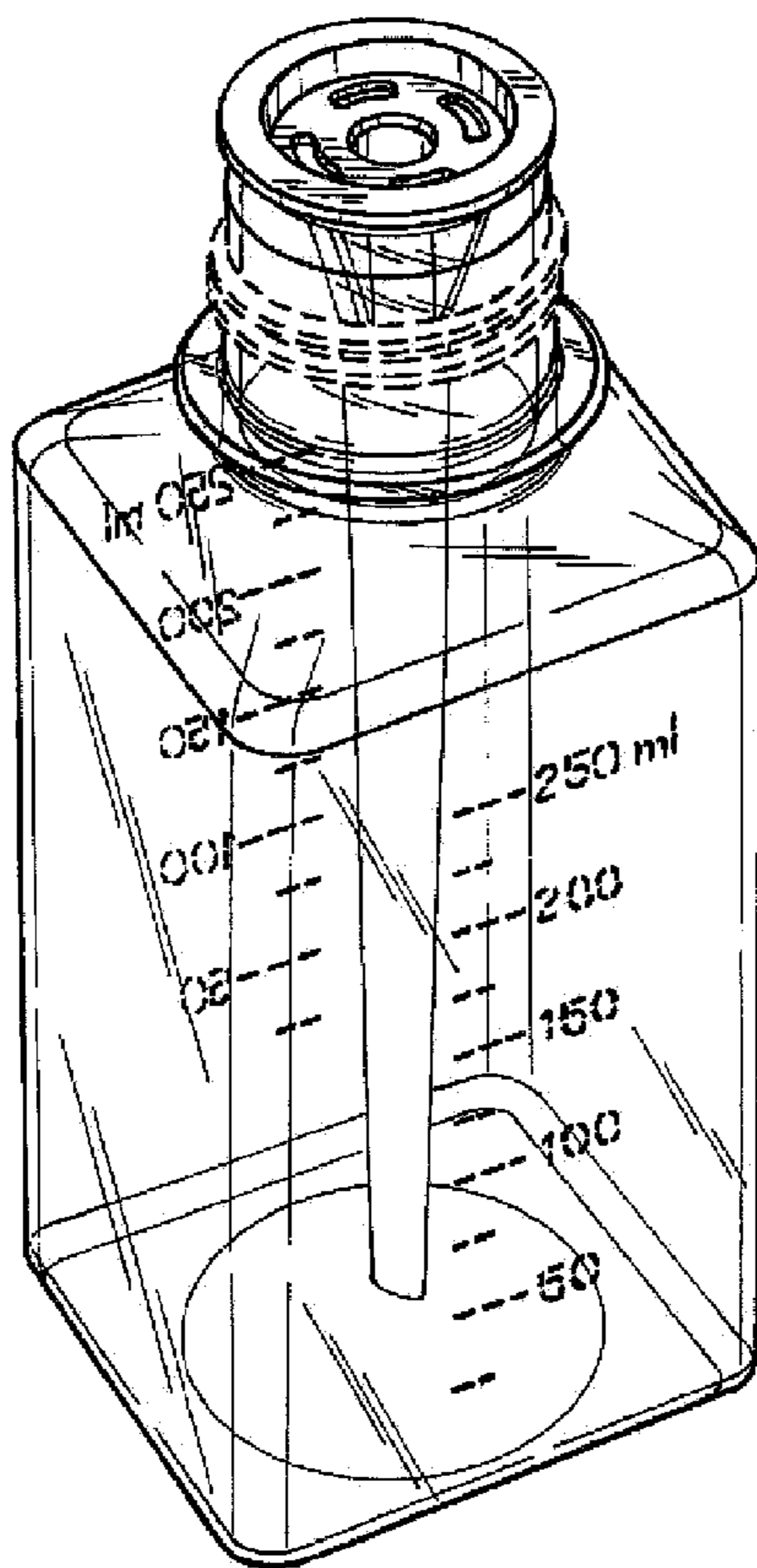
The ornamental design for a bottle, as shown and described.

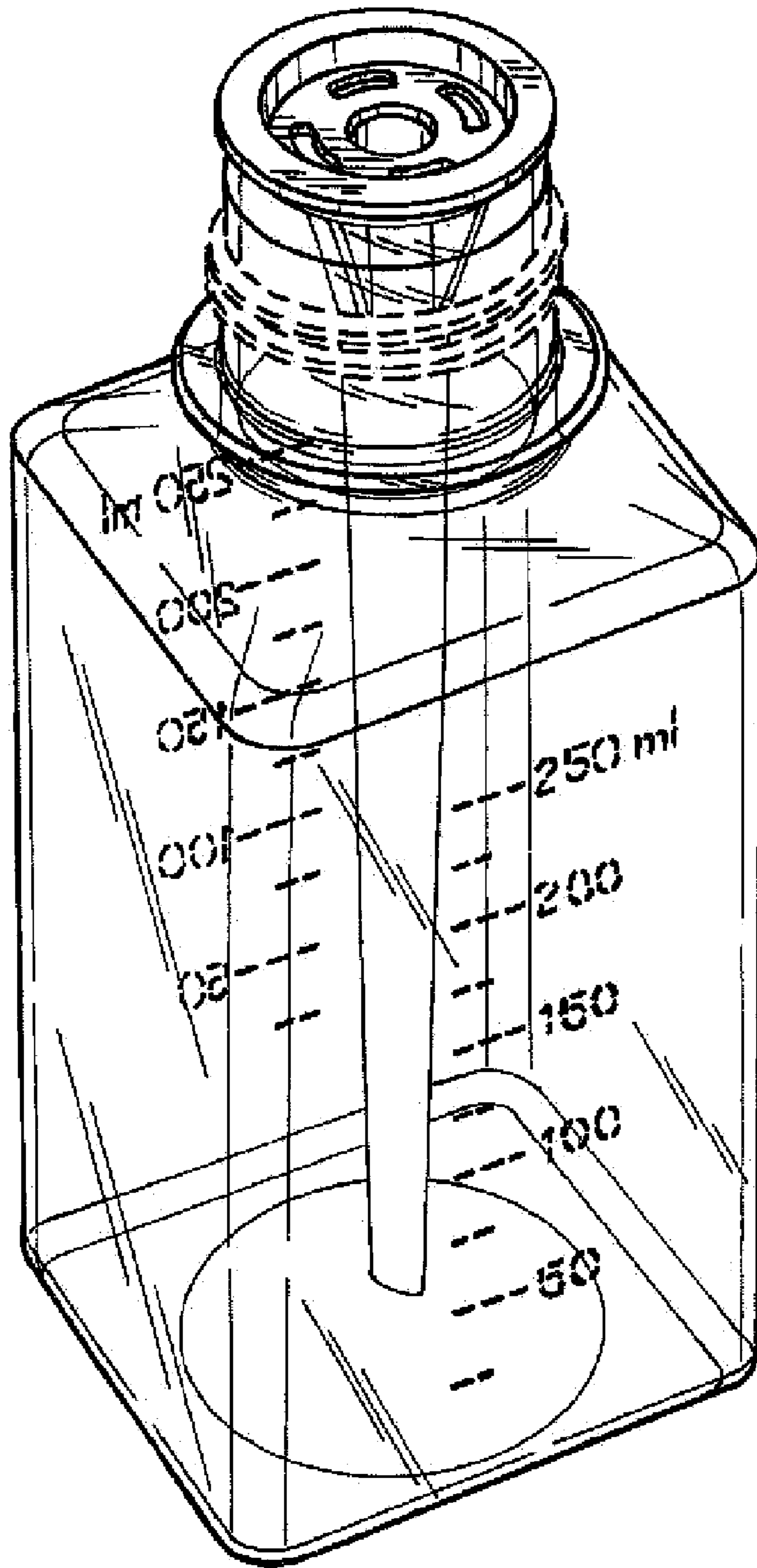
**DESCRIPTION**

- FIG. 1 is a perspective view of the bottle;
- FIG. 2 is a front elevational view thereof;
- FIG. 3 is a rear elevational view thereof;
- FIG. 4 is a left side elevational view thereof;
- FIG. 5 is a right side elevational view thereof;
- FIG. 6 is a top plan view thereof; and,
- FIG. 7 is a bottom plan view thereof.

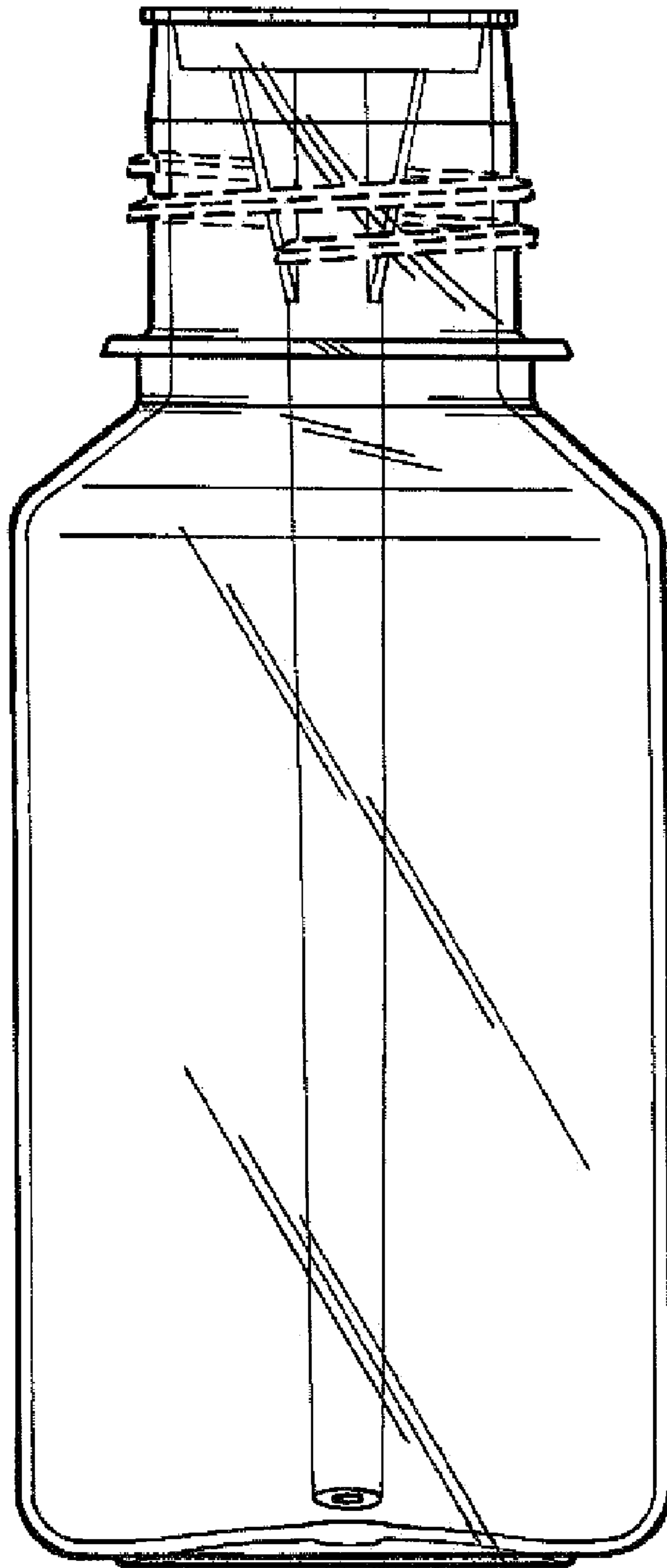
In the drawings, the broken lines are directed to environment shown for illustrative purposes only, and form no part of the claimed design.

**1 Claim, 6 Drawing Sheets**

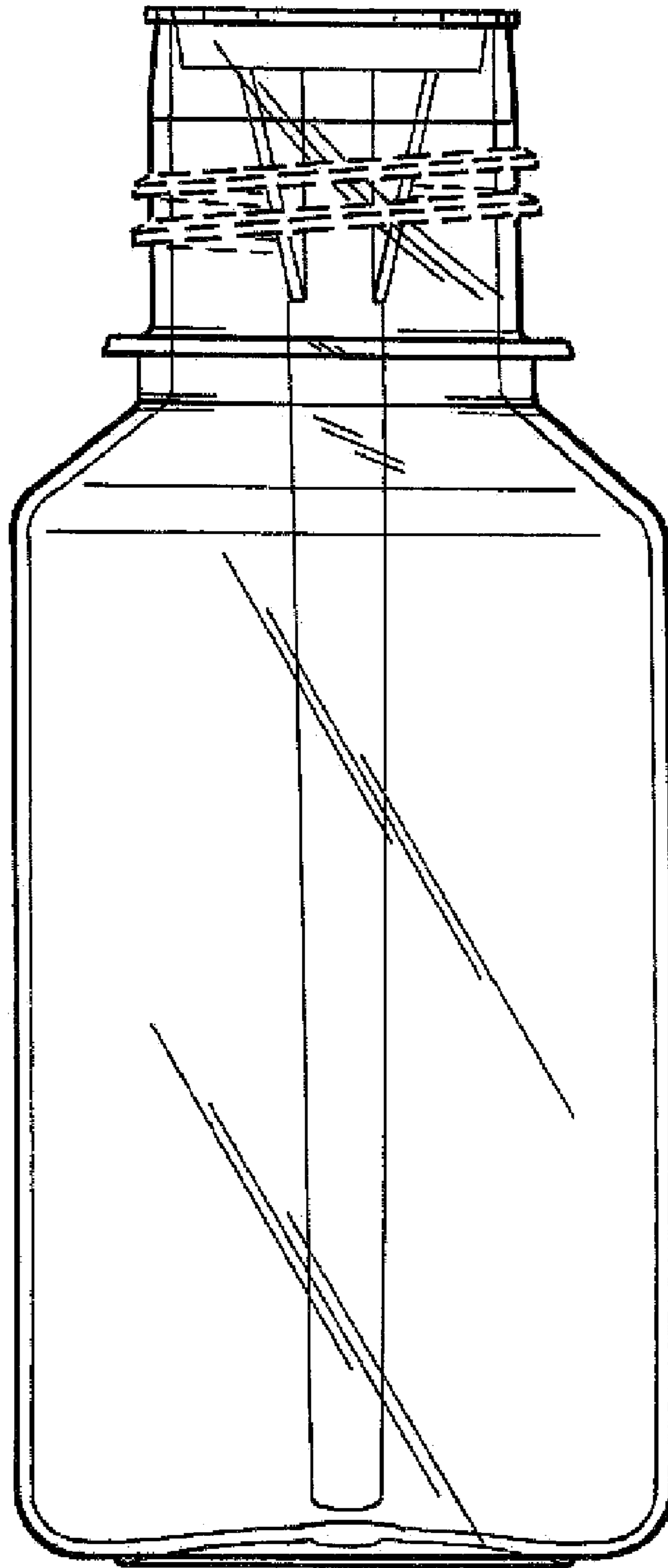




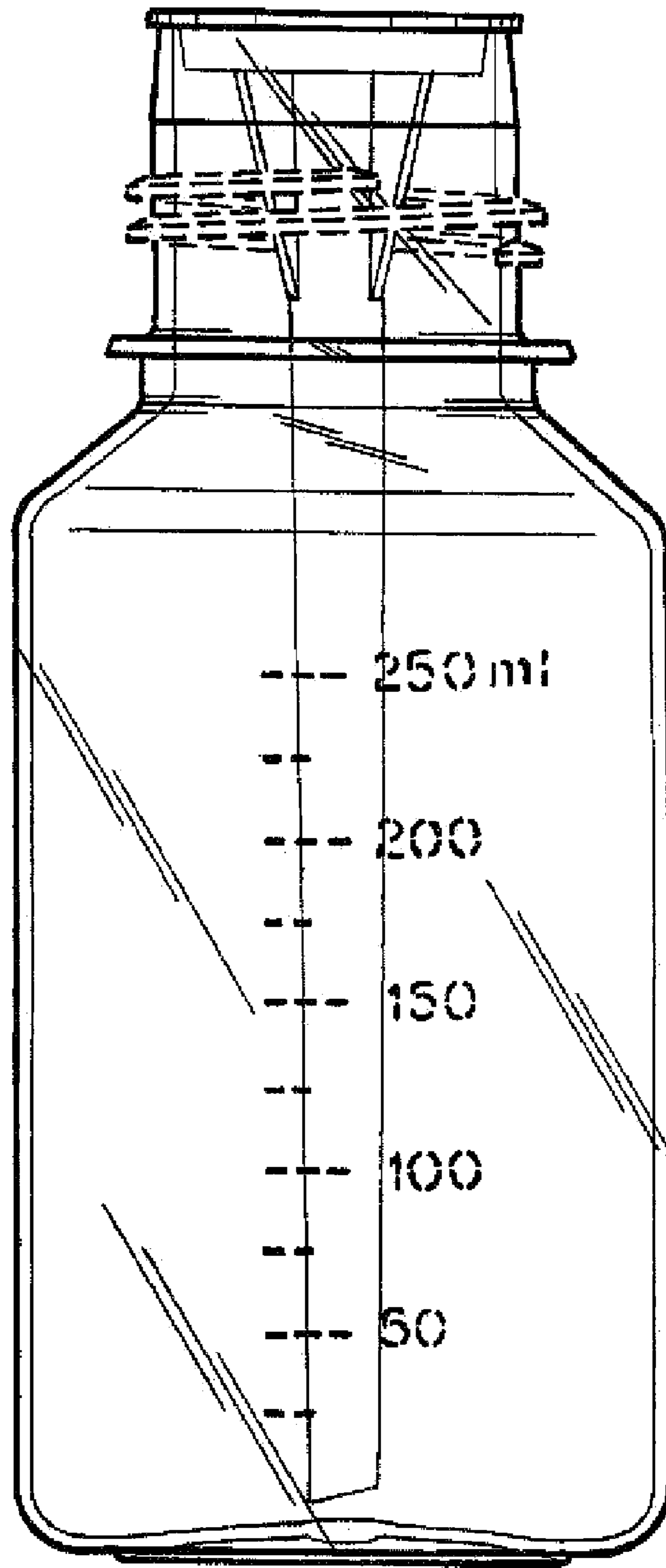
*Fig. 1*



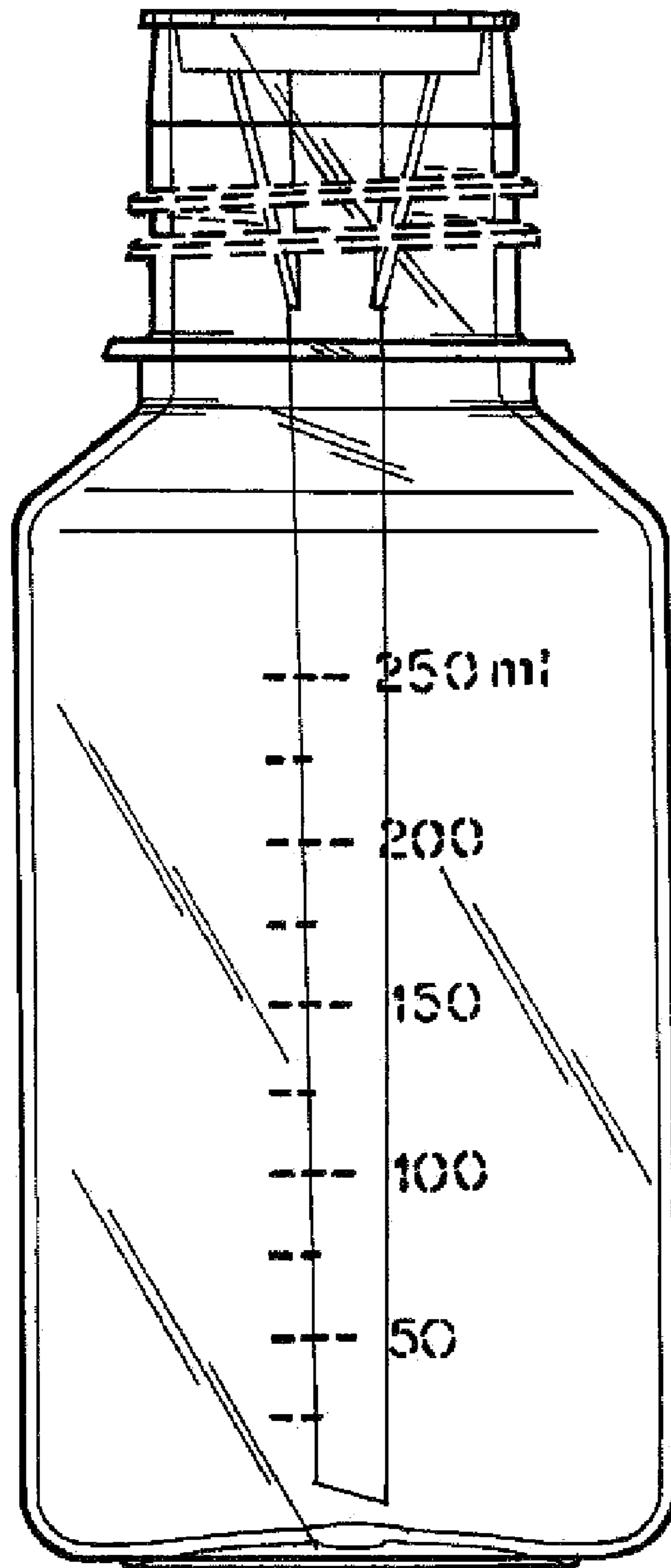
*Fig. 2*



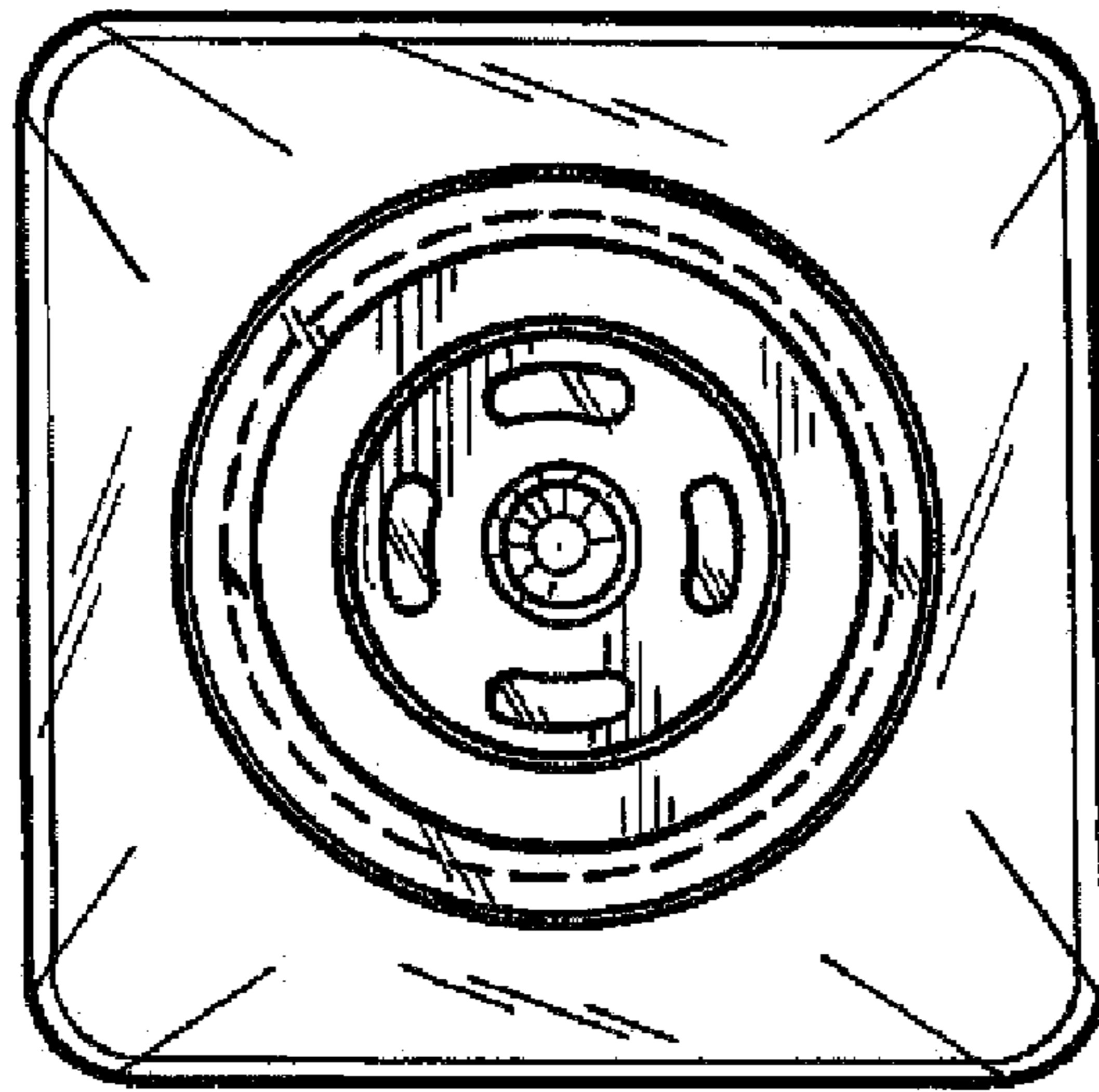
*Fig. 3*



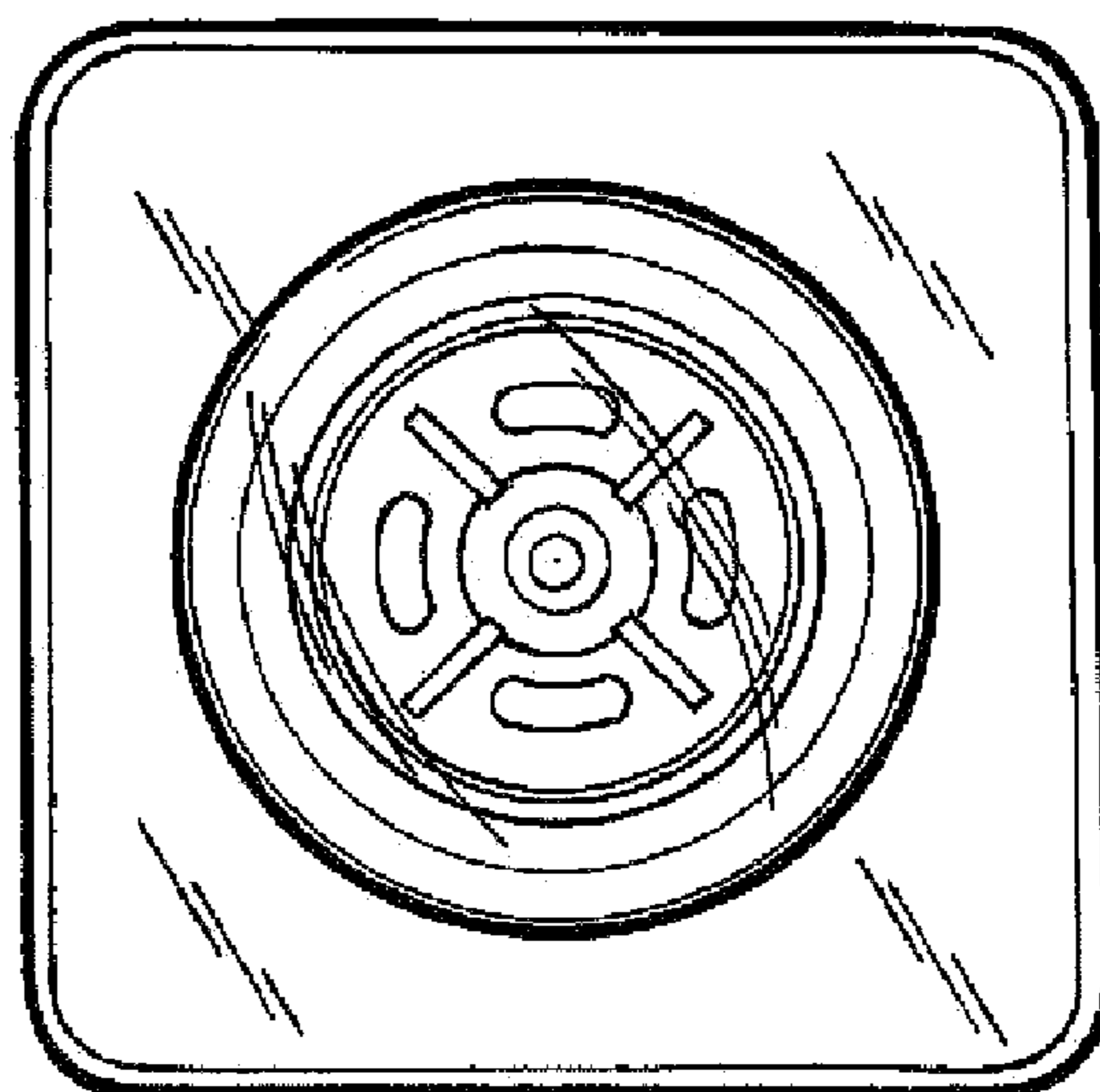
*Fig. 4*



*Fig. 5*



*Fig. 6*



*Fig. 7*