



US00D602781S

(12) **United States Design Patent**
Balkum

(10) **Patent No.:** **US D602,781 S**

(45) **Date of Patent:** **** Oct. 27, 2009**

(54) **CONTAINER WITH OPPOSED DISPENSING ENDS**

(76) **Inventor:** **Frank R. Balkum**, 37 Ferncrest Dr., Pawtucket, RI (US) 02861

(**) **Term:** **14 Years**

(21) **Appl. No.:** **29/327,347**

(22) **Filed:** **Nov. 4, 2008**

(51) **LOC (9) Cl.** **09-01**

(52) **U.S. Cl.** **D9/524; D9/741; D9/560; D9/564; D9/574; D9/449**

(58) **Field of Classification Search** D9/741, D9/500, 503–504, 516, 521, 524, 529, 549, D9/551, 558, 560, 682–694, 446–447, 449–450, D9/454, 901–902, 904–905; 215/6, 10, 381–385; D7/591, 596; D28/7, 76

See application file for complete search history.

(56) **References Cited**

U.S. PATENT DOCUMENTS

D189,632 S *	1/1961	Itaru	D9/746
3,071,281 A *	1/1963	Sawai	220/4.01
D213,824 S *	4/1969	Luedtke	D9/560
D233,981 S *	12/1974	Watt	D9/560
D236,690 S *	9/1975	Oliveira	D9/560
D244,120 S *	4/1977	Pieper	D9/560
D289,143 S *	4/1987	Guillaume	D9/504 X
D304,686 S *	11/1989	Jarrin	D9/782
D313,176 S *	12/1990	Okuda et al.	D9/746
D320,746 S *	10/1991	Bolen et al.	D9/446
D324,173 S *	2/1992	Lynd	D9/746
D329,608 S *	9/1992	Bech	D9/551
D360,576 S *	7/1995	Bech	D9/551 X

5,544,768 A *	8/1996	Gargione	215/209
D431,190 S *	9/2000	Adachi et al.	D9/564 X
D441,298 S *	5/2001	Gundlach et al.	D9/555
D459,228 S *	6/2002	Hierzer	D9/446
D548,103 S *	8/2007	Waldner	D9/560
D569,734 S *	5/2008	Imperato et al.	D9/560
D571,223 S *	6/2008	Imperato et al.	D9/560 X

* cited by examiner

Primary Examiner—Carol Rademaker

(74) *Attorney, Agent, or Firm*—Salter & Michaelson

(57) **CLAIM**

The ornamental design for a container with opposed dispensing ends, as shown and described.

DESCRIPTION

FIG. 1 is a perspective view of the container thereof;

FIG. 2 is a front elevational view thereof;

FIG. 3 is a rear elevational view thereof;

FIG. 4 is a left side elevational view thereof;

FIG. 5 is a right side elevational view thereof;

FIG. 6 a top plan view thereof;

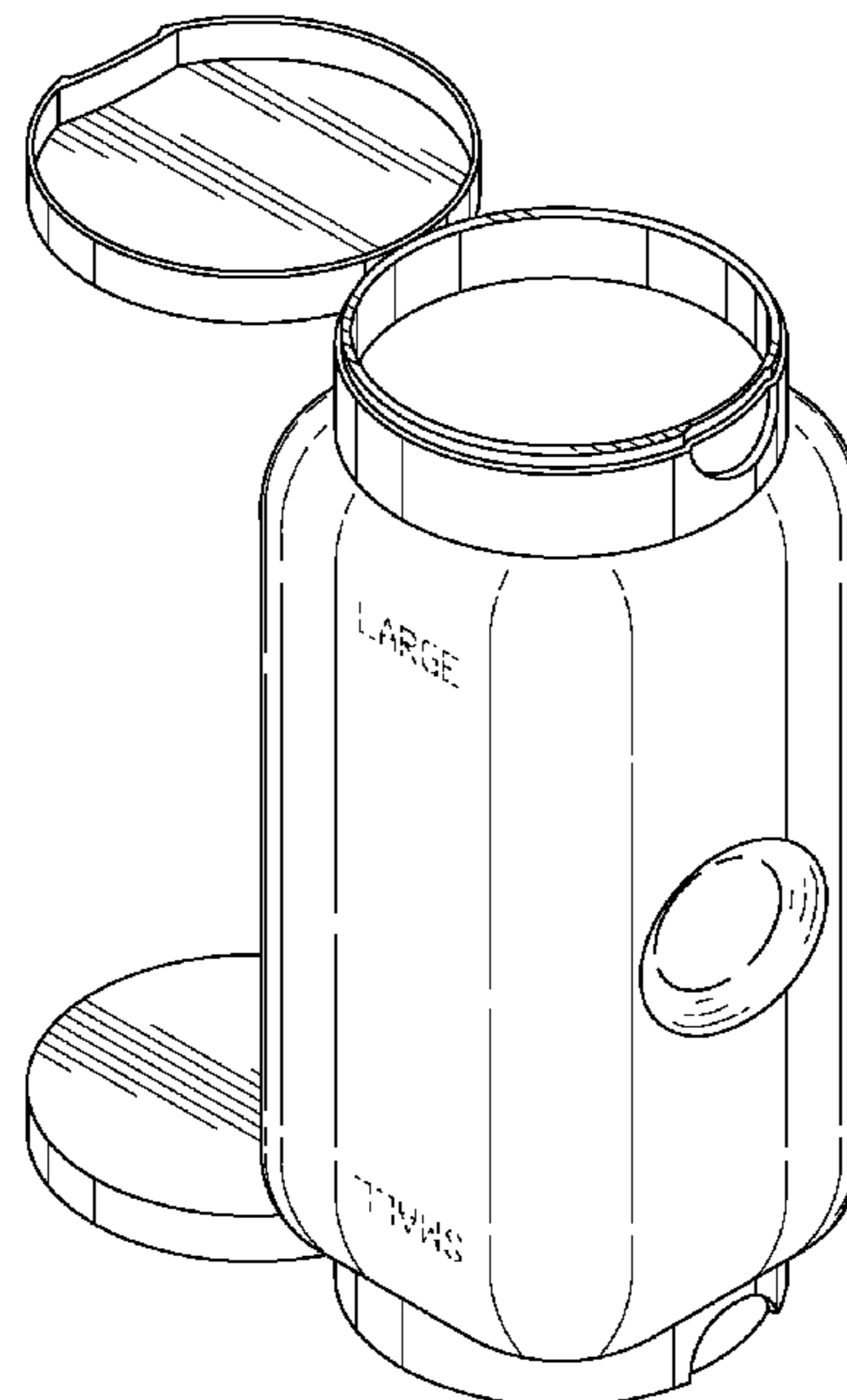
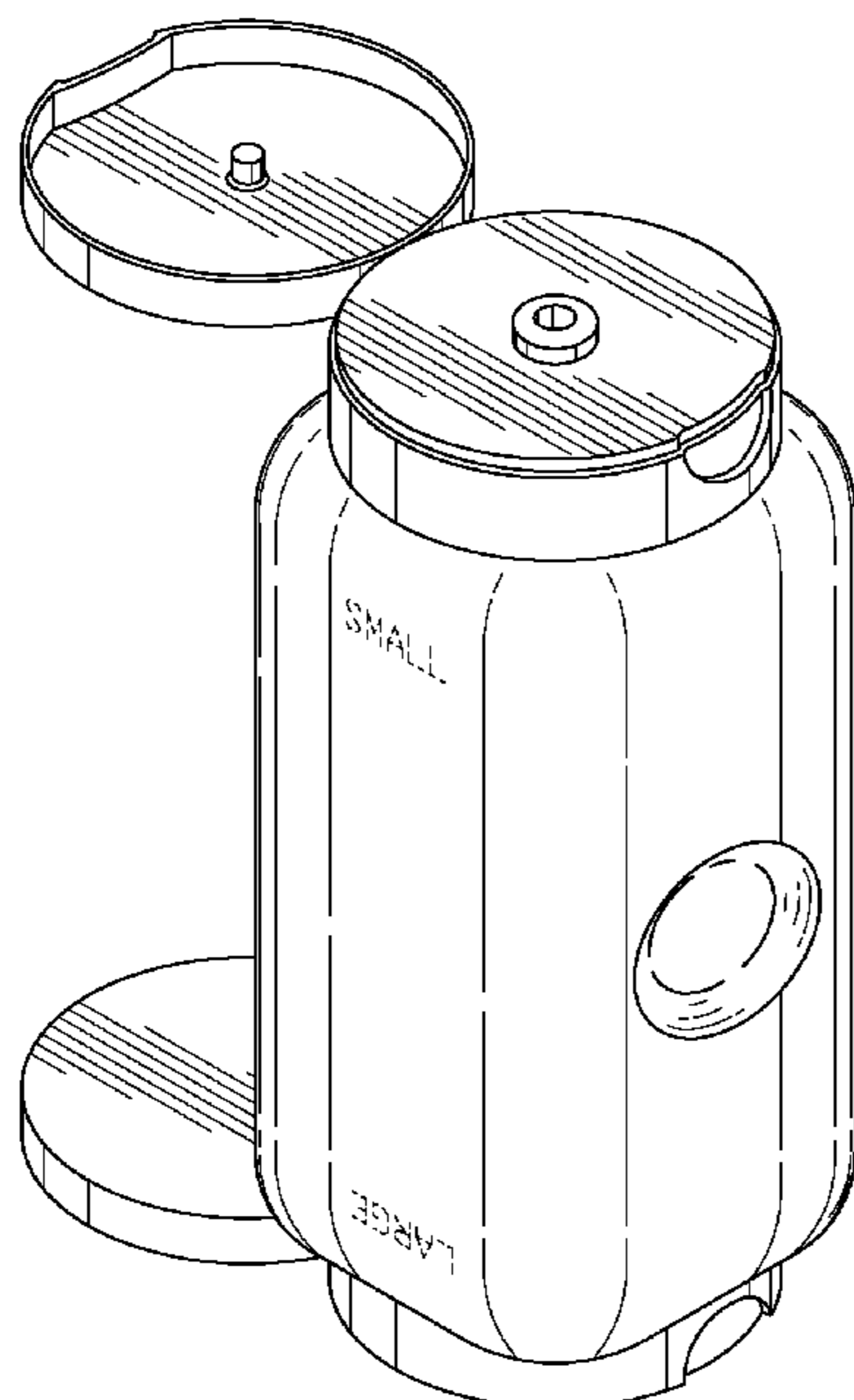
FIG. 7 is a bottom plan view thereof;

FIG. 8 is a perspective view with the lids open and illustrating a spout end thereof; and,

FIG. 9 is a perspective view with the lids open and illustrating an open end thereof.

The portions shown in broken lines are included for illustrative purposes only and form no part of the claimed design.

1 Claim, 6 Drawing Sheets



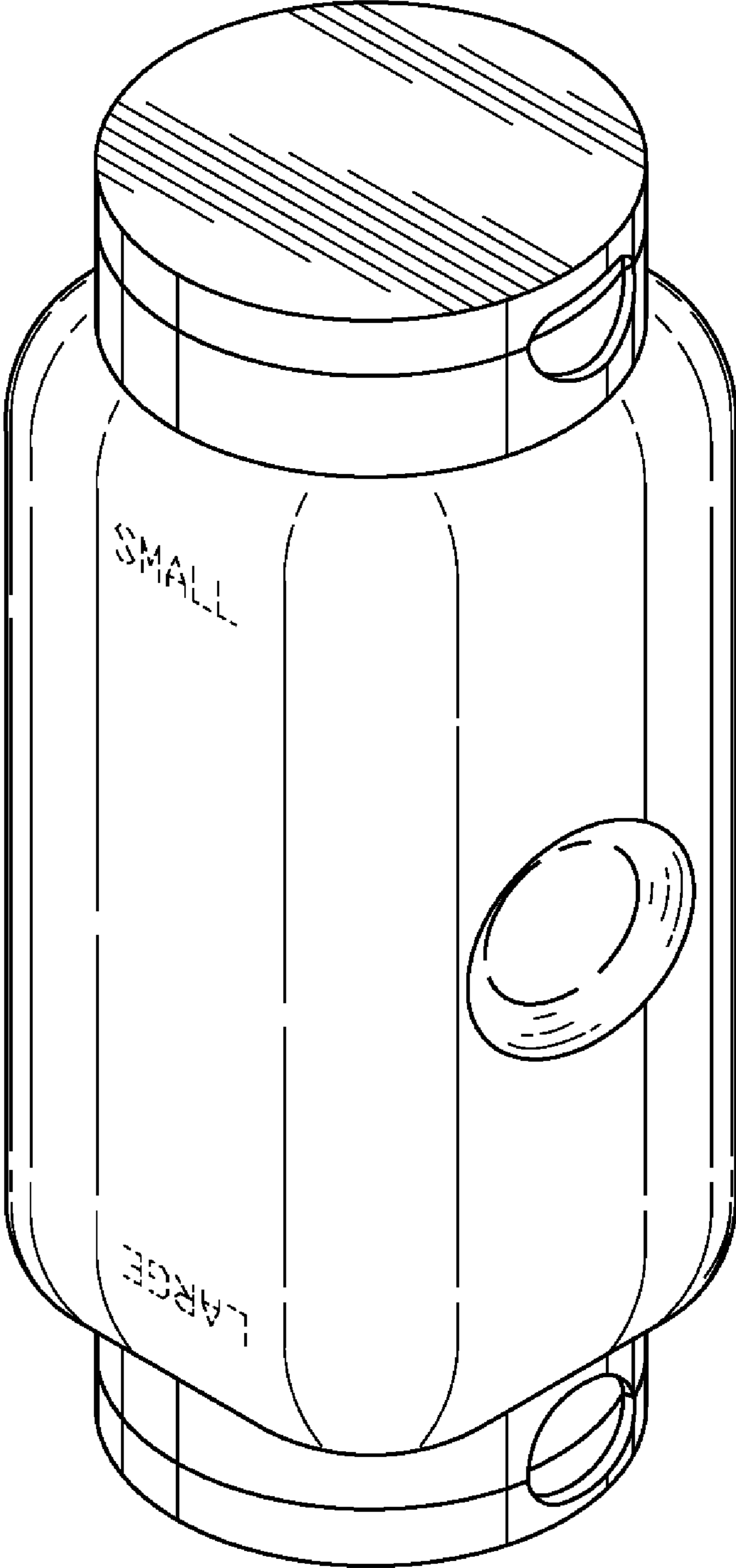


FIG. 1

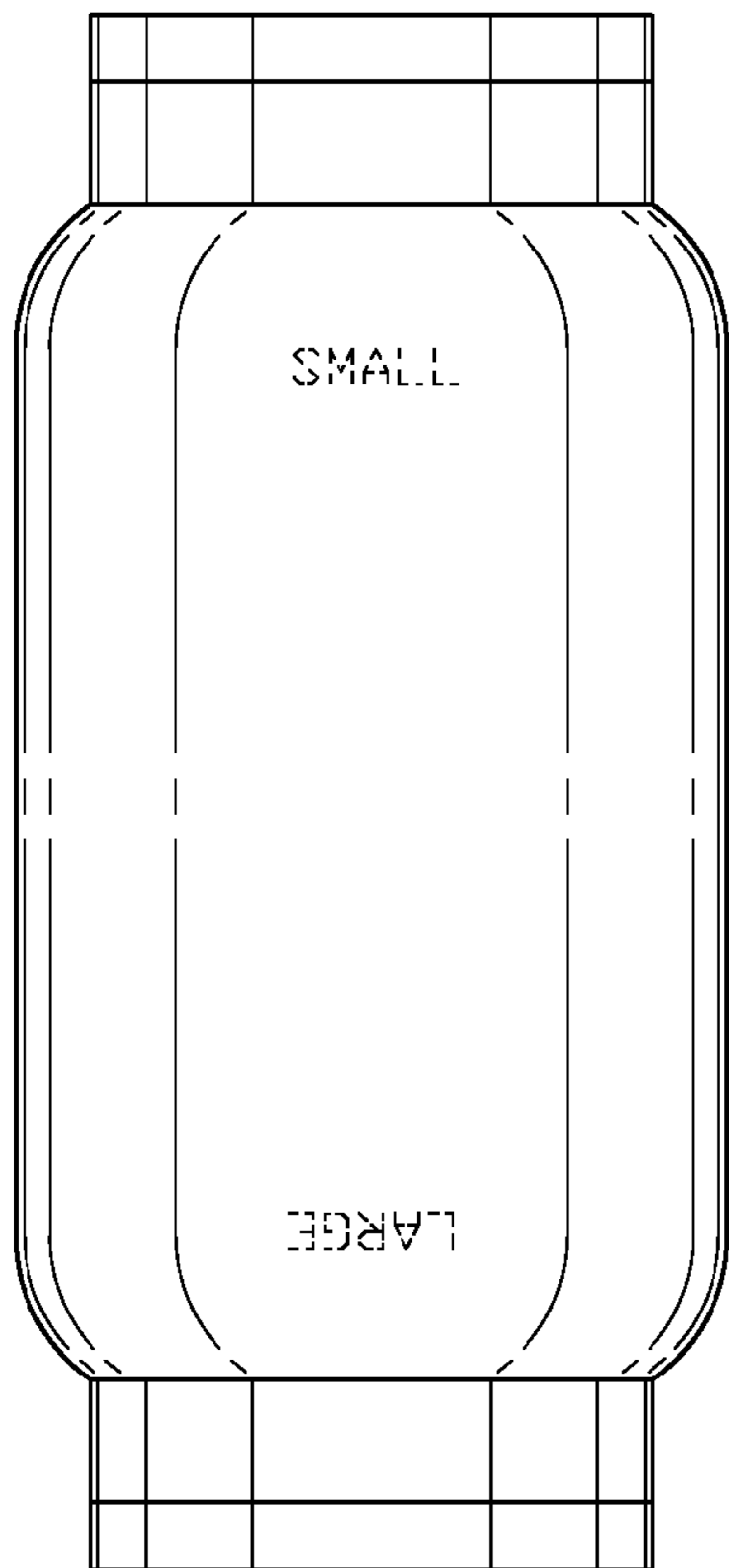


FIG. 2

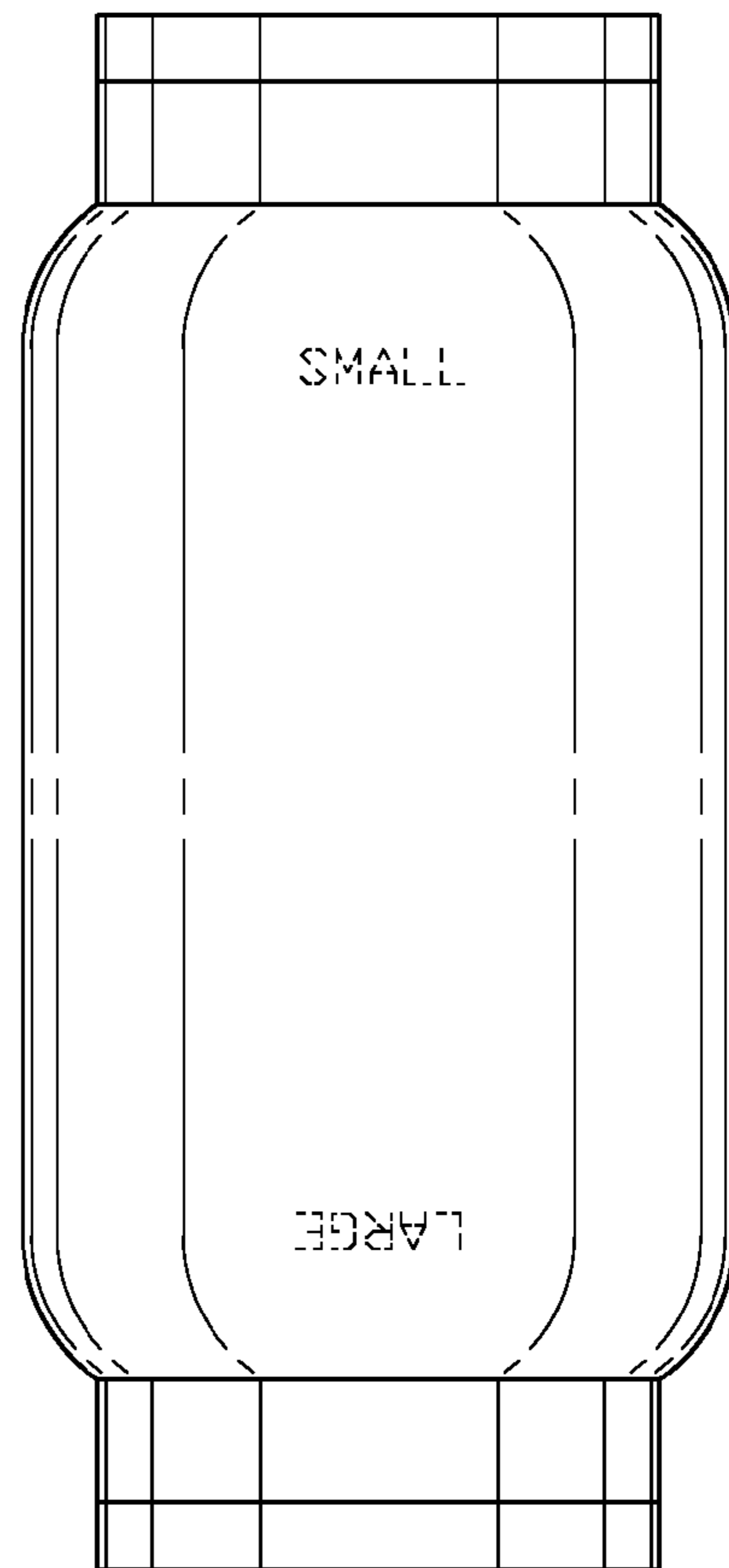


FIG. 3

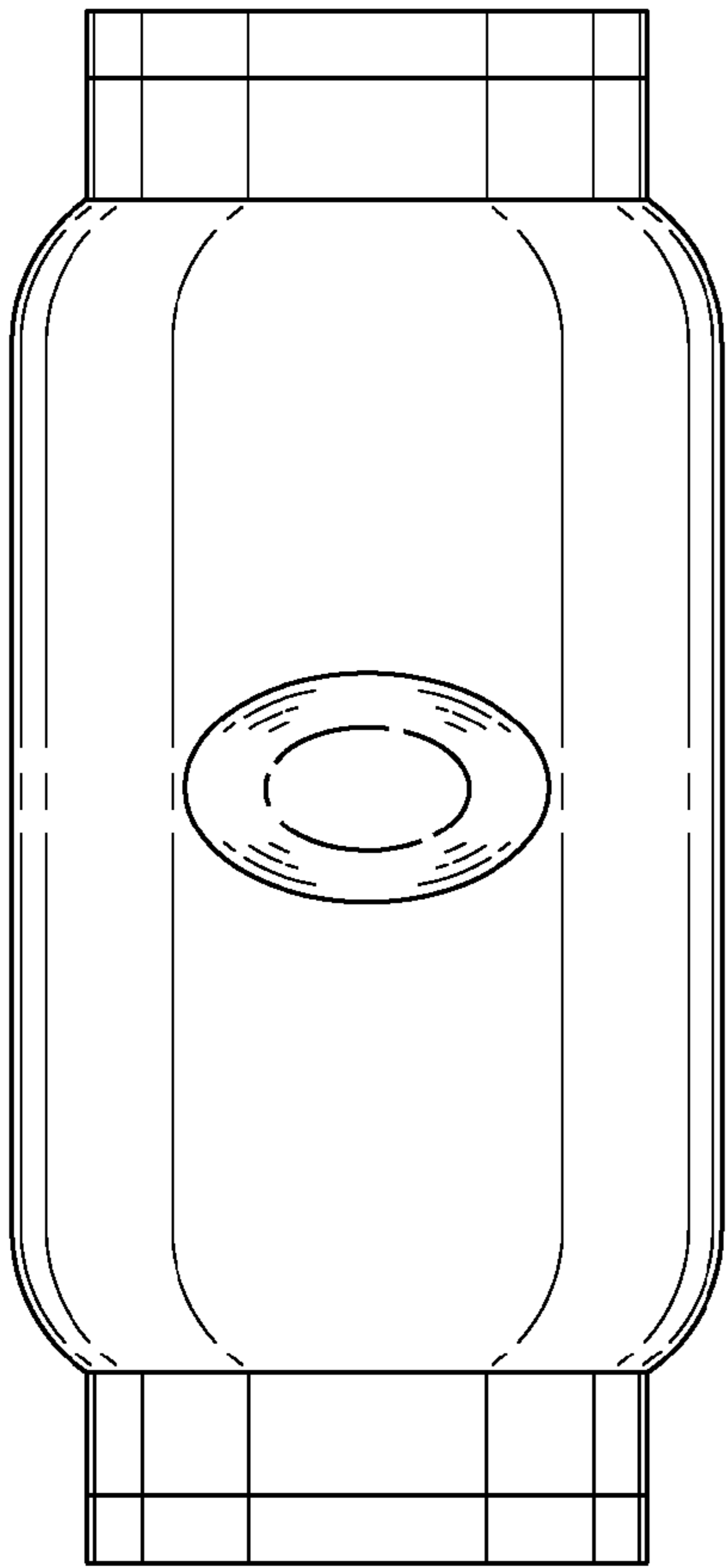


FIG. 4

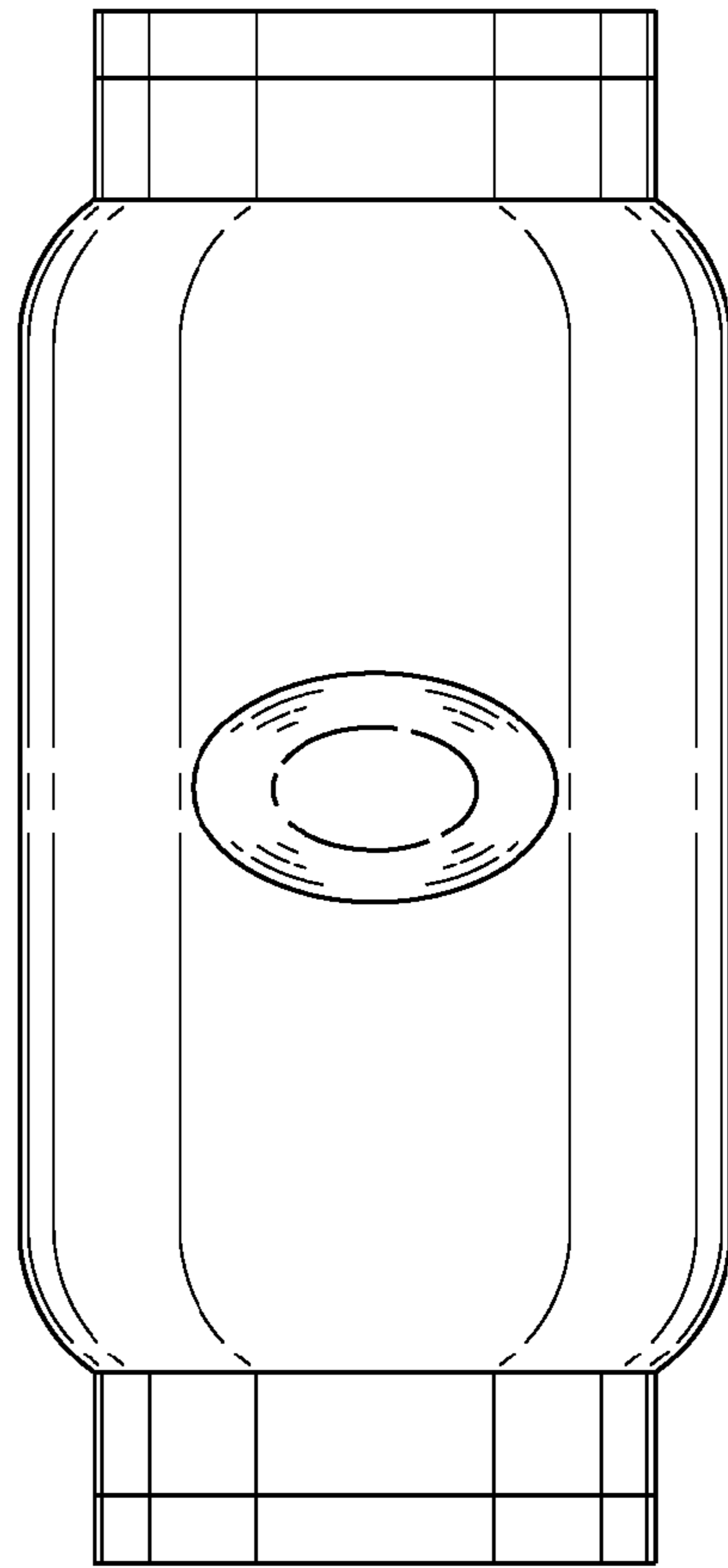


FIG. 5

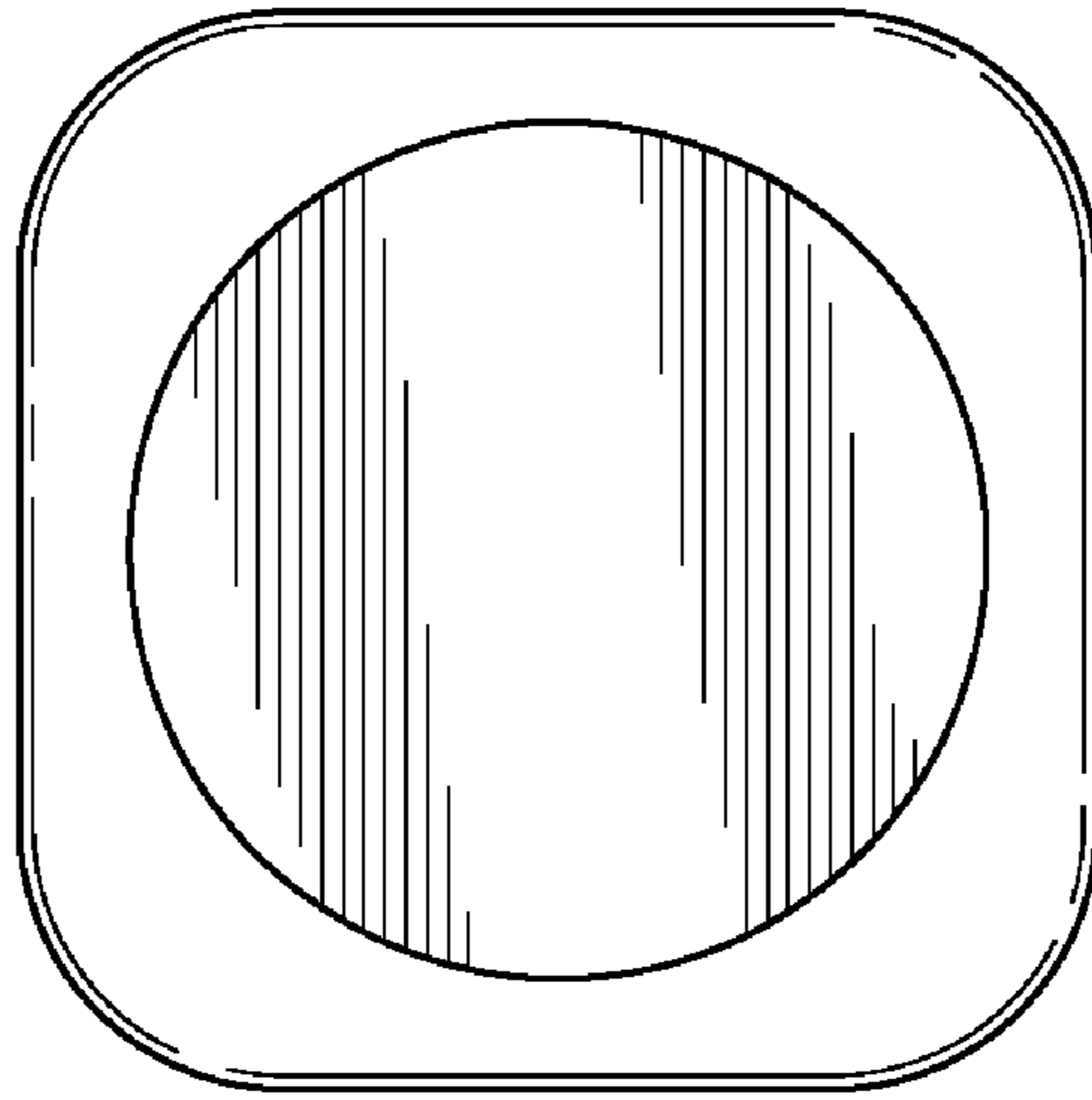


FIG. 6

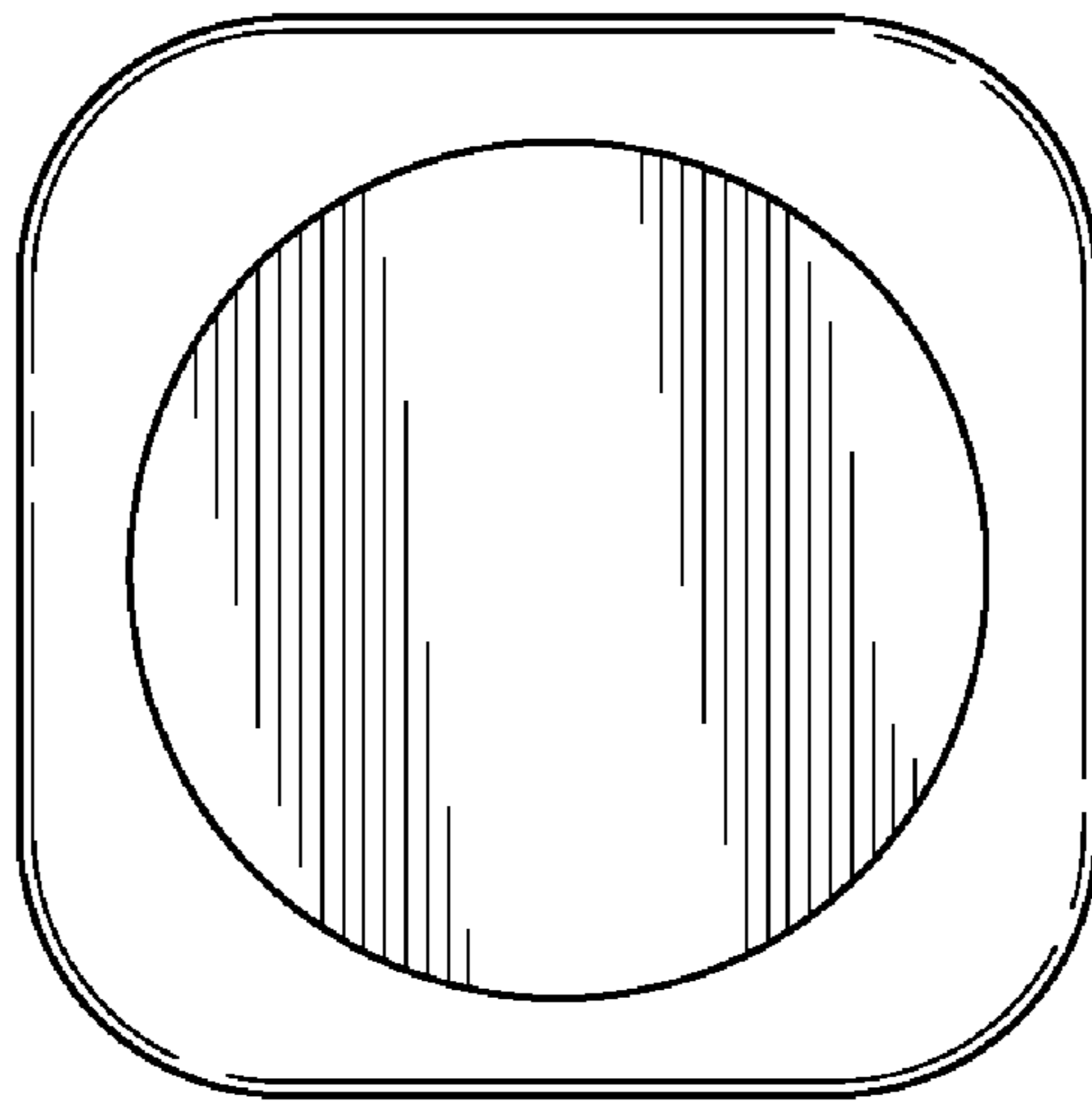


FIG. 7

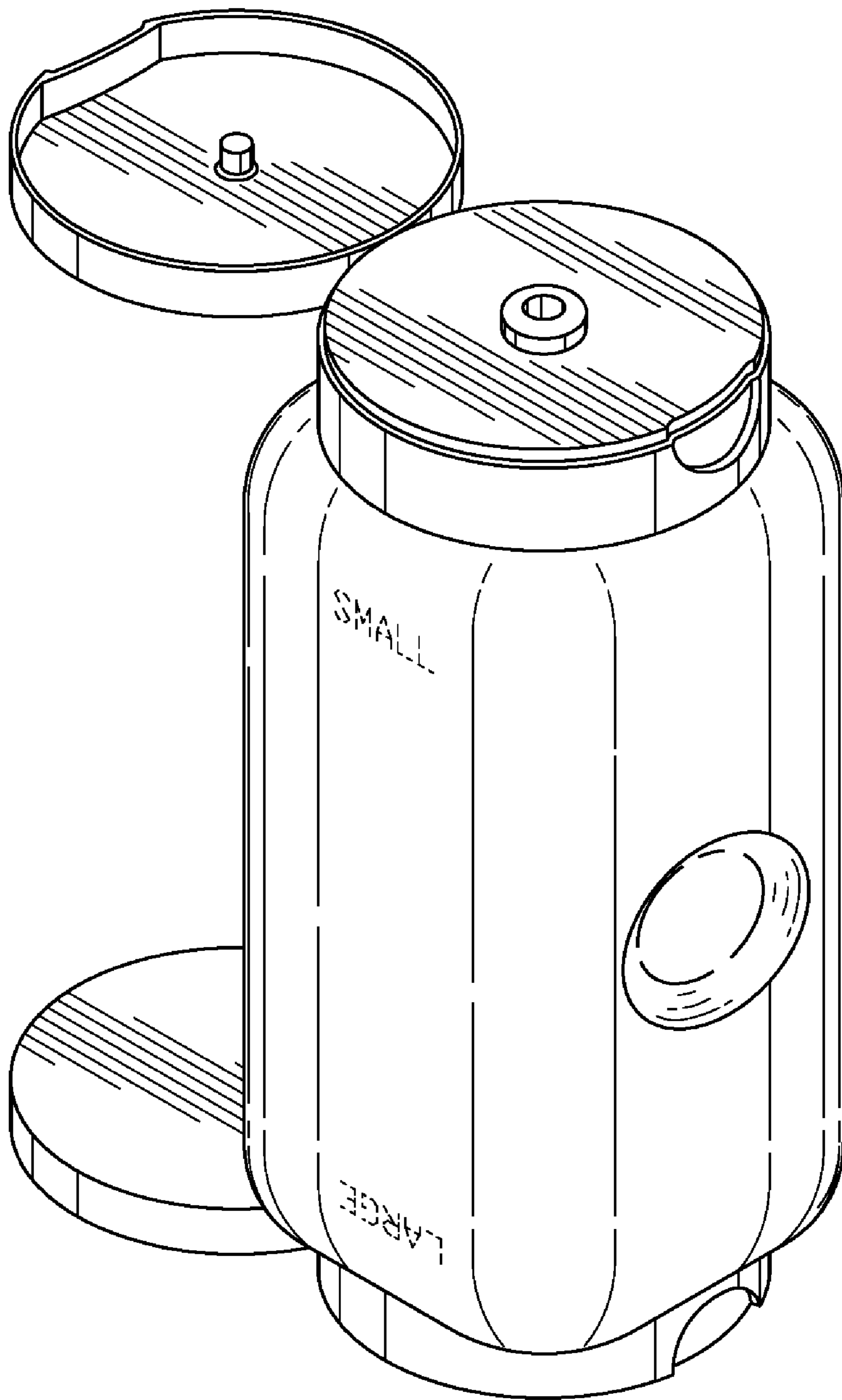


FIG. 8

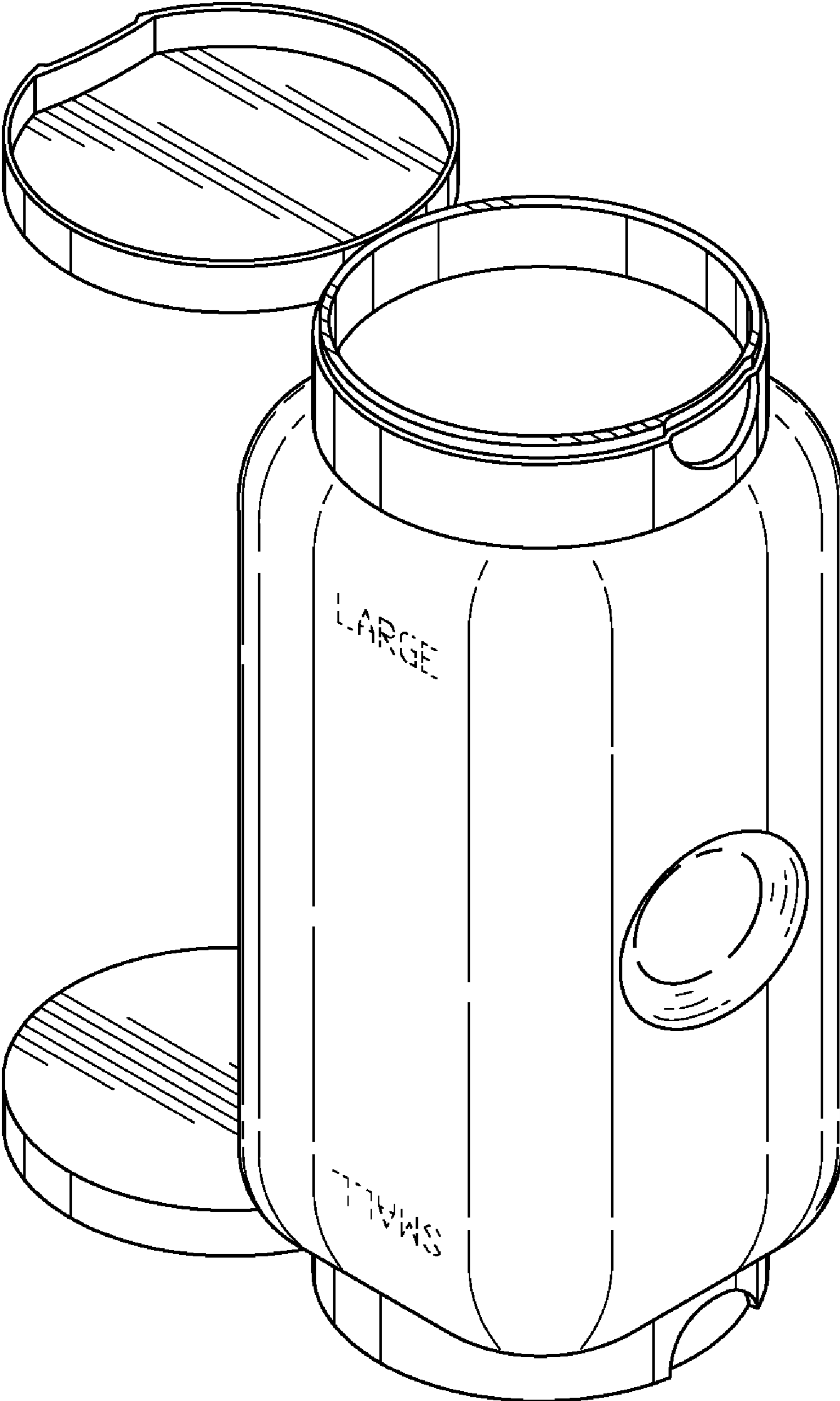


FIG. 9