



US00D602778S

(12) **United States Design Patent**
Stalions

(10) **Patent No.:** **US D602,778 S**

(45) **Date of Patent:** **** Oct. 27, 2009**

(54) **FITMENT FOR A CONTAINER**

(75) Inventor: **Stephen E. Stalions**, Ft. Wayne, IN (US)

(73) Assignee: **Rieke Corporation**, Auburn, IN (US)

(**) Term: **14 Years**

(21) Appl. No.: **29/327,509**

(22) Filed: **Nov. 7, 2008**

(51) **LOC (9) Cl.** **09-07**

(52) **U.S. Cl.** **D9/447**

(58) **Field of Classification Search** D9/902,
D9/763, 516, 453, 447, 438, 435, 440; D7/510,
D7/396.2; D28/7; D24/224, 130, 112; D23/206;
D10/101; 604/228; 222/82, 566, 539, 529,
222/526, 521, 478, 321.6, 153.13, 158; 221/63,
221/45; 220/716, 270; 215/257; 206/219
See application file for complete search history.

(56) **References Cited**

U.S. PATENT DOCUMENTS

3,087,655	A	4/1963	Scholle	222/183
3,108,732	A	10/1963	Curie et al.	229/14
4,815,631	A	3/1989	Eeg et al.	222/403
D359,683	S	6/1995	Beach	D9/434
5,788,121	A	8/1998	Sasaki et al.	222/105
5,873,970	A	2/1999	Konuma et al.	156/197
7,007,825	B2	3/2006	Crosland et al.	222/105
7,017,781	B2	3/2006	Provenza	222/105
7,244,064	B2	7/2007	Sullivan, Jr.	383/22
D590,500	S *	4/2009	Sudo et al.	D24/130
2006/0180643	A1	8/2006	Stephenson	229/117.3
2006/0261028	A1 *	11/2006	Dubach	215/257

OTHER PUBLICATIONS

Printout from www.cdfi.com/cheertainer.php, of CDF Core Products, printed Oct. 19, 2008, 2 pgs.

* cited by examiner

Primary Examiner—Susan Bennett Hattan

(74) *Attorney, Agent, or Firm*—Woodard, Emhardt, Moriarty, McNett & Henry LLP

(57) **CLAIM**

The ornamental design for a fitment for a container, as shown and described.

DESCRIPTION

FIG. 1 is a front elevational view of a fitment for a container, showing my new design, the rear elevational view being identical thereto;

FIG. 2 is a left side elevational view thereof, the right side elevational view being identical thereto;

FIG. 3 is a top plan view thereof;

FIG. 4 is a bottom plan view thereof;

FIG. 5 is a full section view thereof taken along line 5—5 in FIG. 3;

FIG. 6 is a perspective view thereof;

FIG. 7 is a front elevational view of the FIG. 1 fitment with a closing cap applied, showing my new design, the rear elevational view being identical thereto;

FIG. 8 is a left side elevational view of the FIG. 7 combination, the right side elevational view being identical thereto;

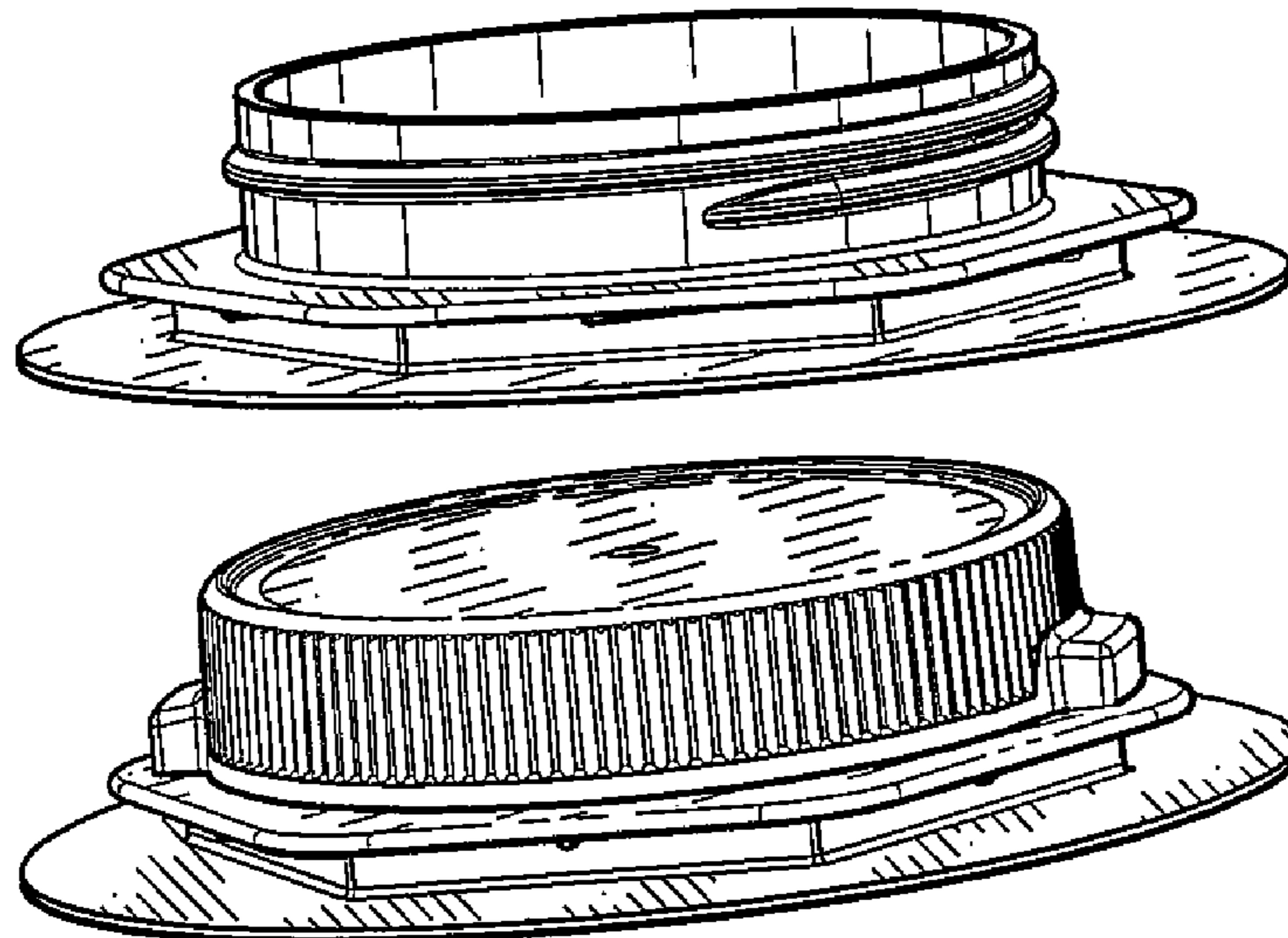
FIG. 9 is a top plan view of the FIG. 7 combination;

FIG. 10 is a bottom plan view of the FIG. 7 combination;

FIG. 11 is a full section view of the FIG. 7 combination taken along line 11—11 in FIG. 9;

FIG. 12 is a perspective view of the FIG. 7 combination; and, FIG. 13 is bottom plan view of the closing cap forming part of the FIG. 7 combination.

1 Claim, 4 Drawing Sheets



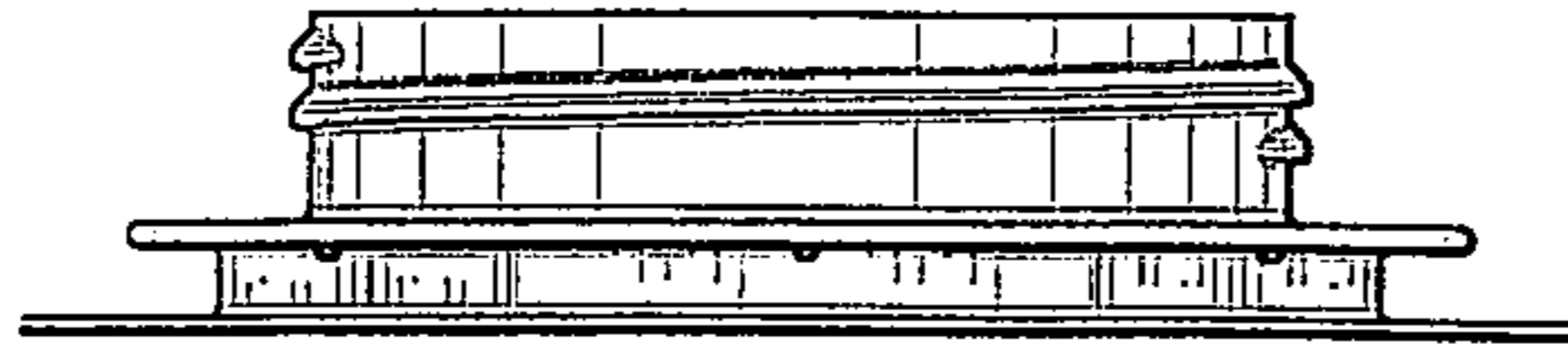


Fig. 1



Fig. 2

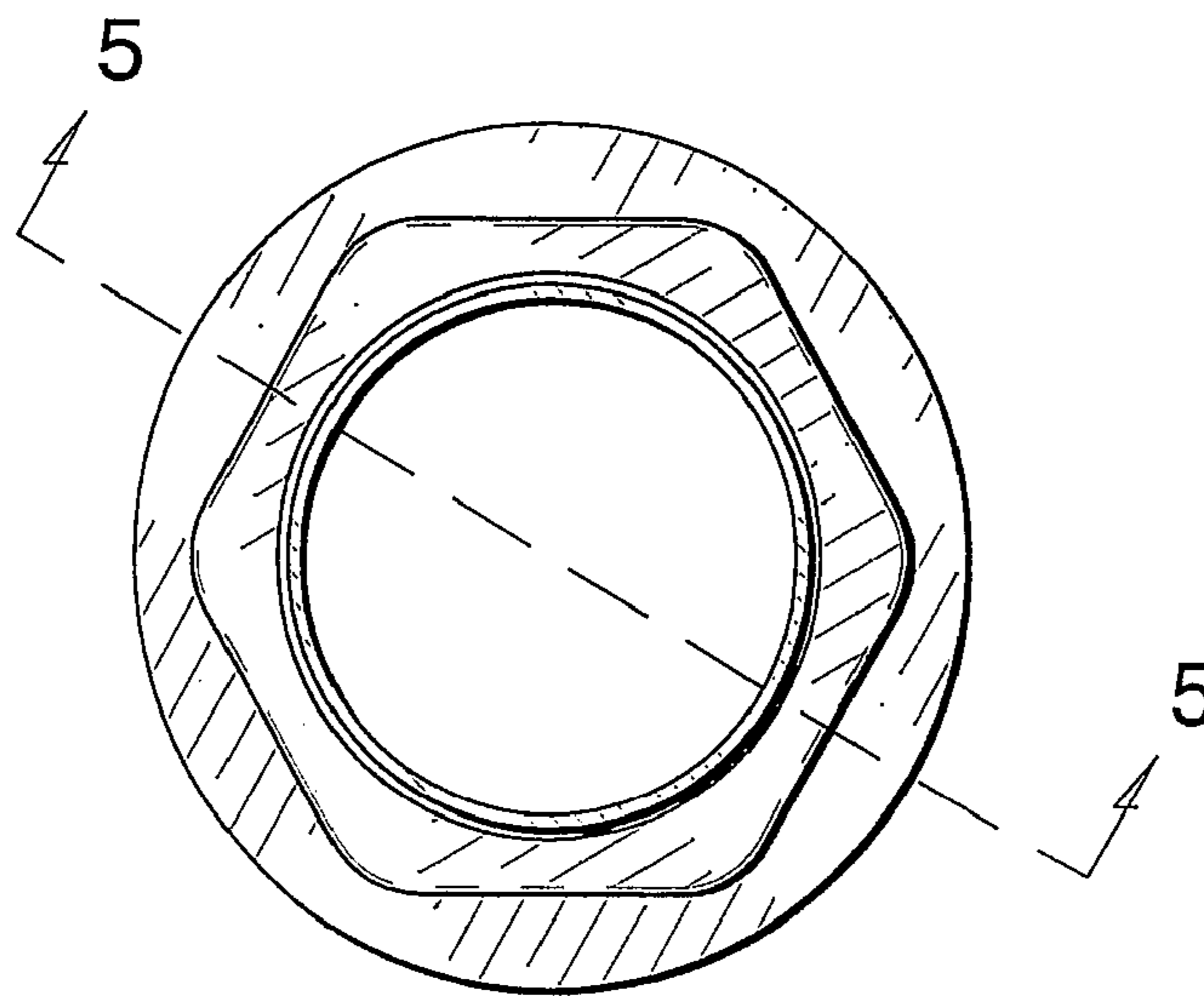


Fig. 3

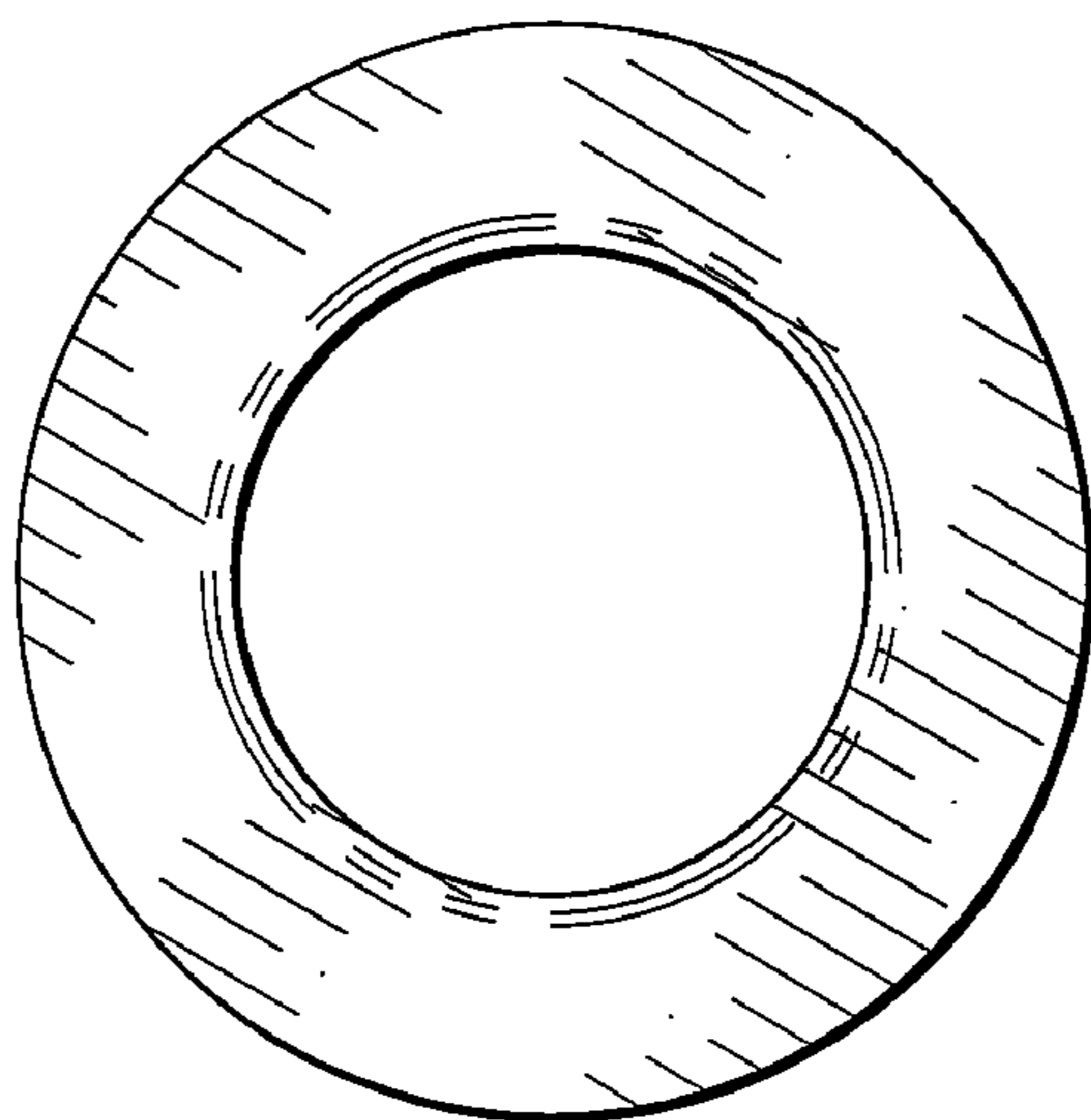


Fig. 4

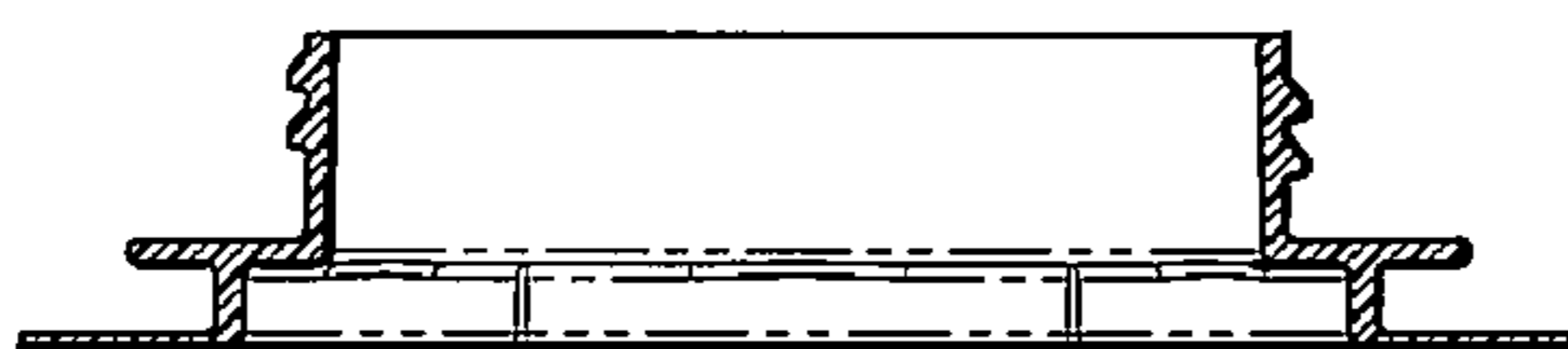


Fig. 5

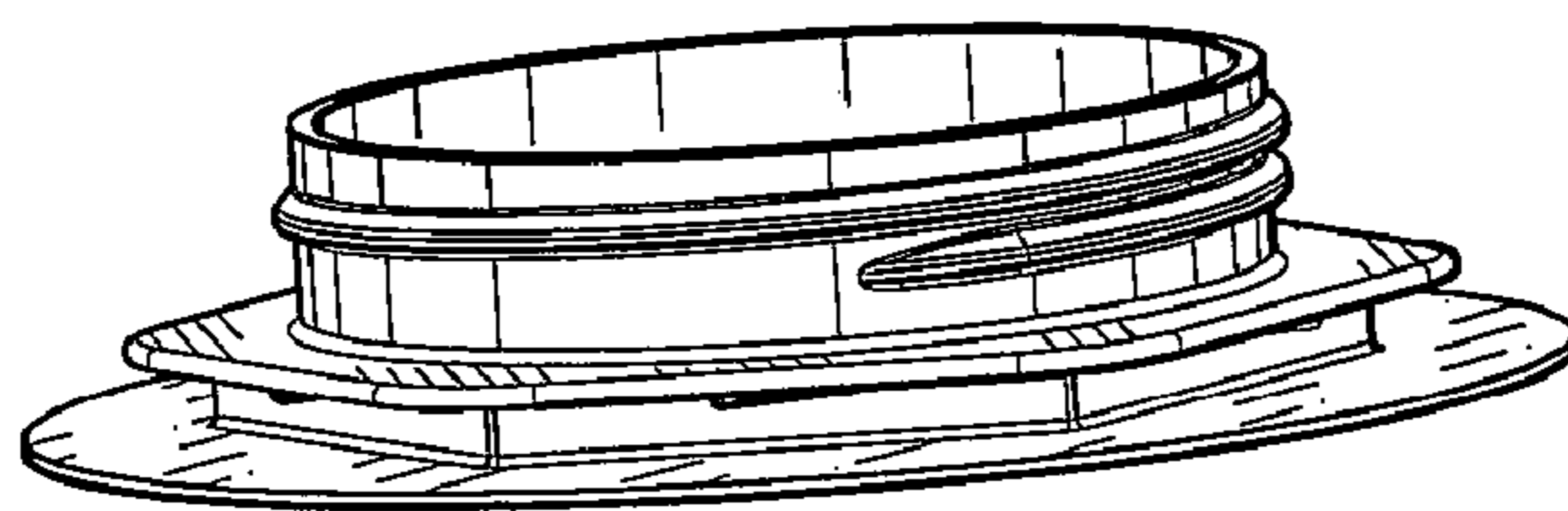


Fig. 6

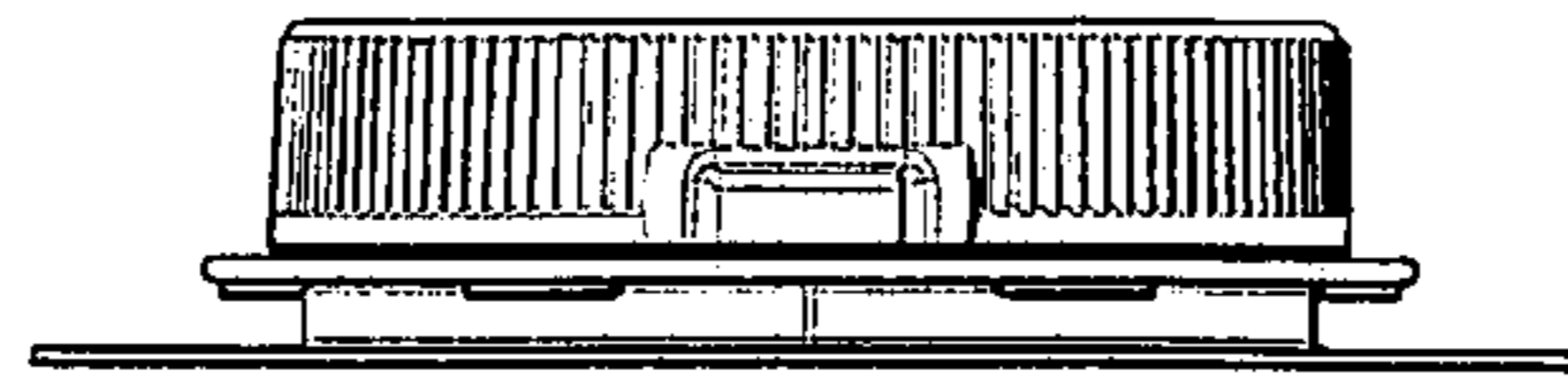


Fig. 7



Fig. 8

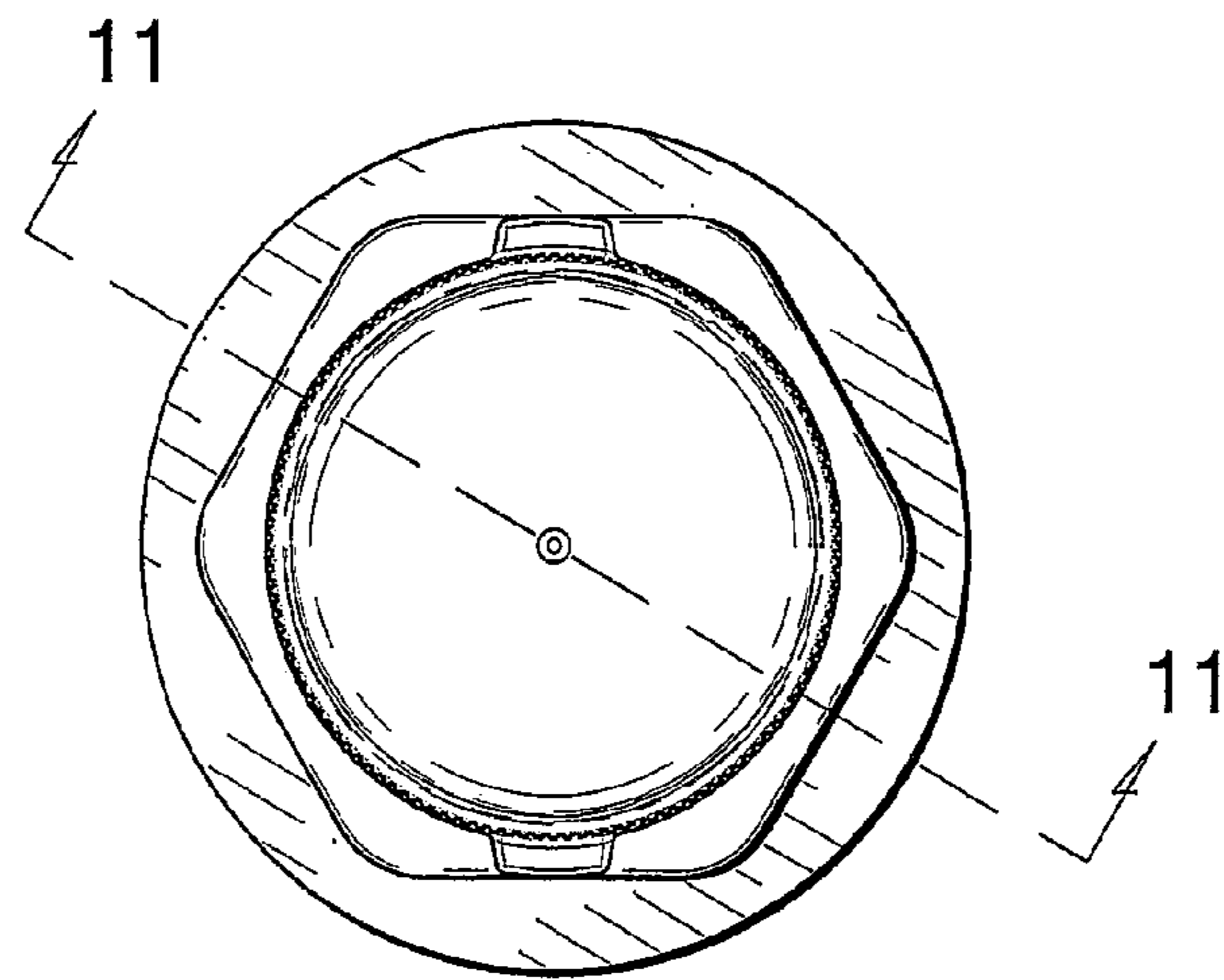


Fig. 9

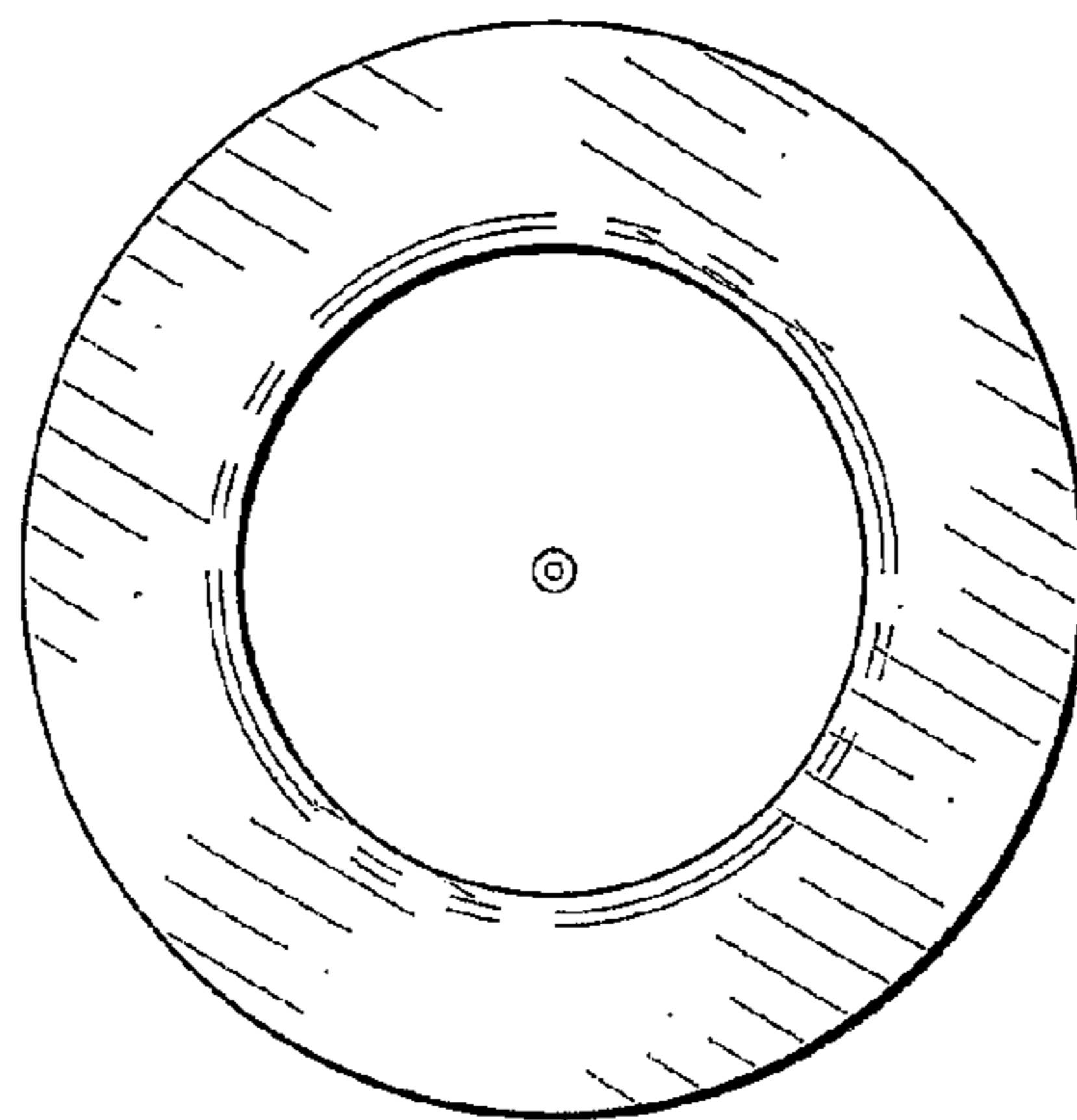


Fig. 10

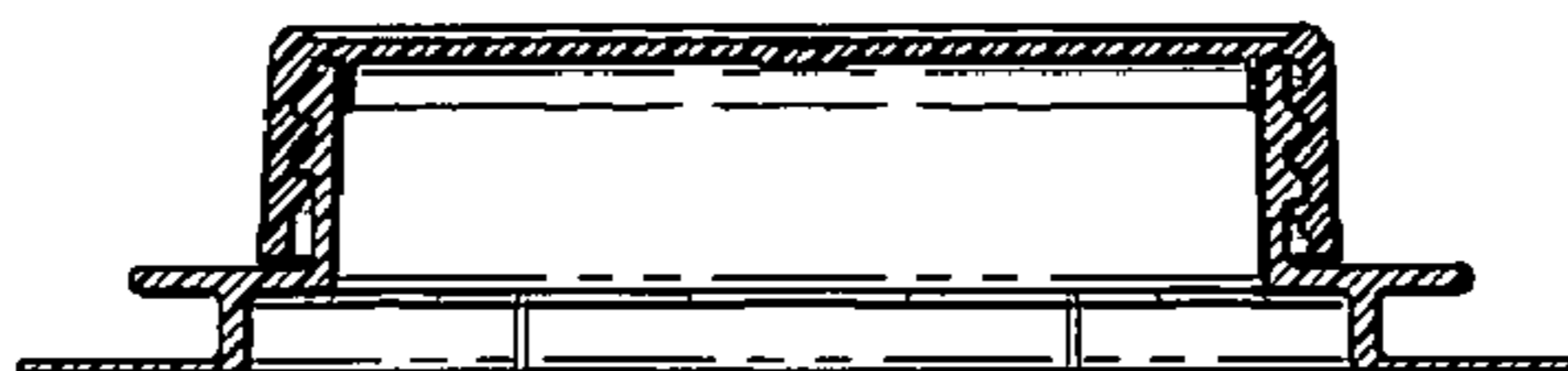


Fig. 11

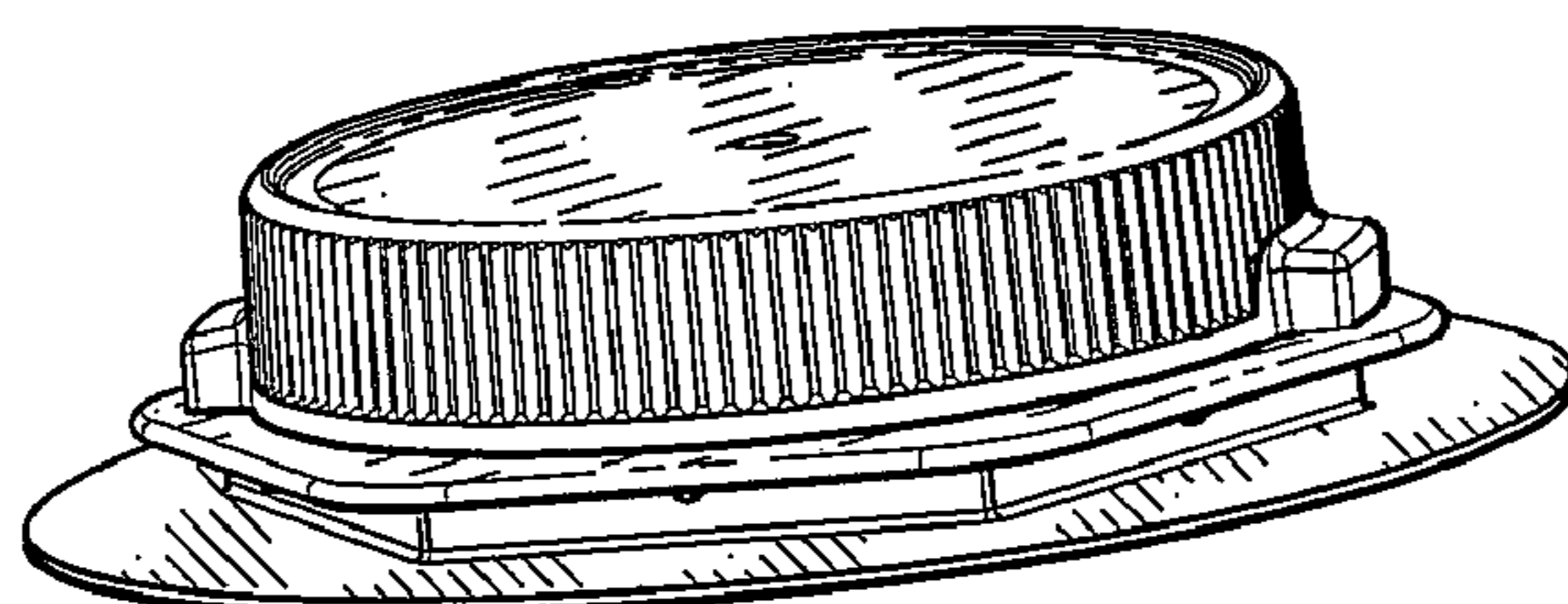


Fig. 12

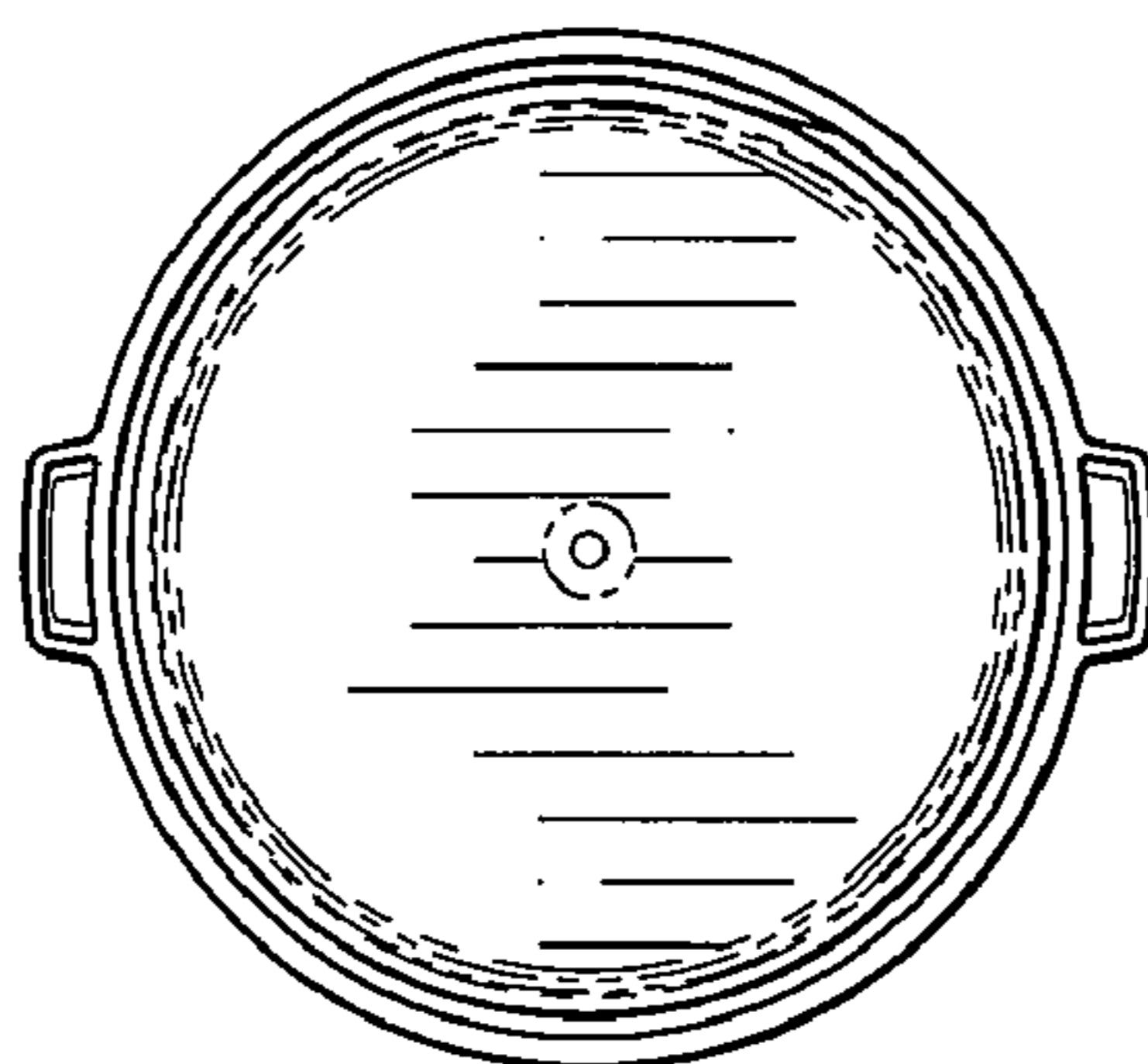


Fig. 13