



US00D602776S

(12) **United States Design Patent**
Cherian

(10) **Patent No.:** **US D602,776 S**

(45) **Date of Patent:** **** Oct. 27, 2009**

(54) **LID WITH PULL TAB**

(57) **CLAIM**

(76) **Inventor:** **Gabe Cherian**, P.O. Box 1335, Sun Valley, ID (US) 83353

The ornamental designs for a lid with pull tab, as shown and described.

(**) **Term:** **14 Years**

DESCRIPTION

(21) **Appl. No.:** **29/312,178**

(22) **Filed:** **Oct. 2, 2008**

Related U.S. Application Data

(60) Division of application No. 29/286,717, filed on May 16, 2007, now Pat. No. Des. 579,771, which is a continuation of application No. 10/941,797, filed on Sep. 14, 2004.

FIG. 1 is a side view of a lid with pull tab, the opposite side being a mirror image thereof;

FIG. 2 is identical to FIG. 1, except that a portion of the lid rim has been removed to show more details;

FIG. 3 is a top view thereof;

FIG. 4 is an alternate side view thereof, looking at the punch end of the pull tab;

FIG. 5 is identical to FIG. 4, except that a portion of the lid rim has been removed to show more details;

(51) **LOC (9) Cl.** **09-07**

(52) **U.S. Cl.** **D9/438**

(58) **Field of Classification Search** D9/780, D9/763, 438, 434, 435; 220/906, 273, 269
See application file for complete search history.

FIG. 6 is identical to FIG. 4, except that the whole lid rim has been removed to show more details;

FIG. 7 is an alternate side view thereof, looking at the punch end of the pull tab;

(56) **References Cited**

U.S. PATENT DOCUMENTS

D296,989	S *	8/1988	Juty	D9/438
D382,481	S *	8/1997	McEldowney	D9/438
D385,192	S *	10/1997	Hurst et al.	D9/438
D396,635	S *	8/1998	McEldowney	D9/438
D397,296	S *	8/1998	McEldowney et al.	D9/438
D402,887	S *	12/1998	Hurst	D9/438
D411,107	S *	6/1999	Turner et al.	D9/438
D415,026	S *	10/1999	Turner et al.	D9/438
D415,425	S *	10/1999	Turner et al.	D9/438
D424,438	S *	5/2000	Turner et al.	D9/438
D448,666	S *	10/2001	Fields	D9/438
6,889,861	B2 *	5/2005	Arcati et al.	220/269
7,000,797	B2 *	2/2006	Forrest et al.	220/269

FIG. 8 is an alternate side view thereof, looking at the lifter end of the tab;

FIG. 9 is an alternate side view thereof;

FIG. 10 is an alternate side view thereof;

FIG. 11 is a cross-sectional view thereof;

FIG. 12 is identical to FIG. 11 except that the lifter end of the tab is shown at an alternate angle;

FIG. 13 is identical to FIG. 11 except that the punch end of the tab is shown at an alternate angle; and,

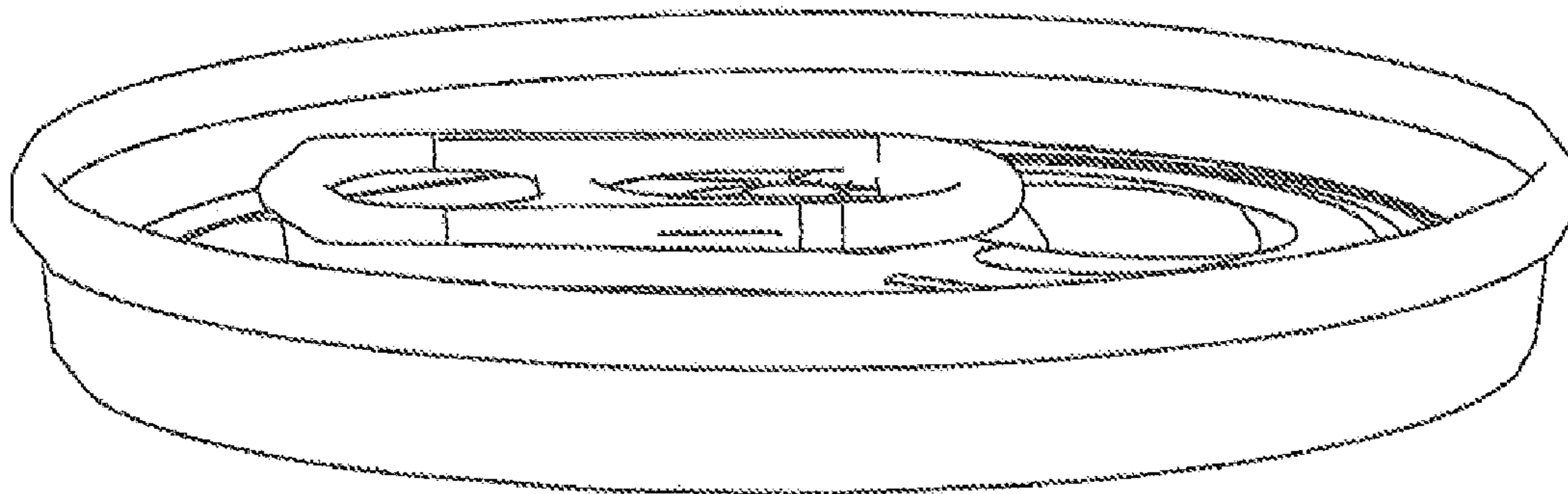
FIG. 14 is identical to FIG. 11 except that the lifter end and the punch end of the tab are shown at alternate angles.

The broken line showing of a can is included for the purpose of depicting environment only and forms no part of the claimed design.

(Continued)

Primary Examiner—Susan Bennett Hattan

1 Claim, 14 Drawing Sheets



US D602,776 S

Page 2

U.S. PATENT DOCUMENTS

7,168,586 B2 *	1/2007	Jeon	220/269	2005/0115969 A1 *	6/2005	Mizuma	220/269
7,198,168 B2 *	4/2007	Mizuma	220/269	2006/0060582 A1 *	3/2006	Martinez Gomez	220/269
D549,098 S *	8/2007	Lohrman et al.	D9/438	2007/0029324 A1 *	2/2007	Watson et al.	220/269
D559,680 S *	1/2008	Jacober et al.	D9/438	2007/0278230 A1 *	12/2007	McEldowney et al.	220/269
D564,350 S *	3/2008	Zahrobsky	D9/434	2008/0067174 A1 *	3/2008	Heinicke	220/273
D565,406 S *	4/2008	Foskett	D9/438	2008/0078764 A1 *	4/2008	McEldowney et al.	220/269
D568,741 S *	5/2008	Foskett	D9/438	2008/0197132 A1 *	8/2008	Hasegawa et al.	220/269
2002/0113069 A1 *	8/2002	Forrest et al.	220/269	2008/0203094 A1 *	8/2008	Cho	220/273
2005/0098561 A1 *	5/2005	Schwoebel	220/258.1	2008/0272120 A1 *	11/2008	Delpont et al.	220/269

* cited by examiner

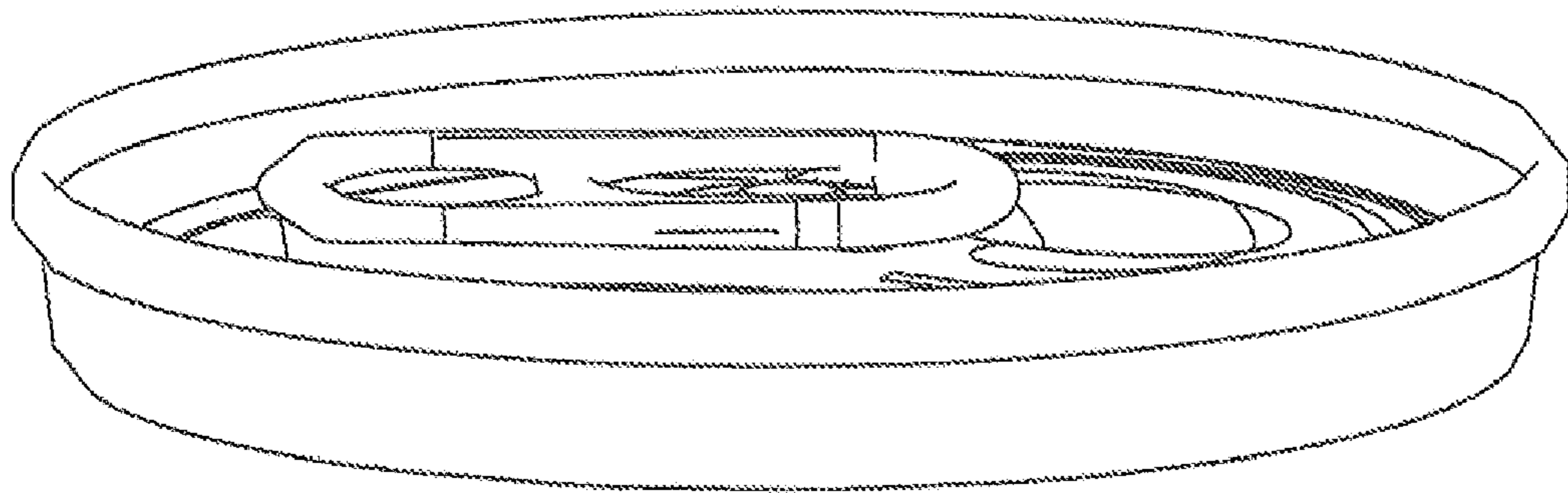


FIG. 1

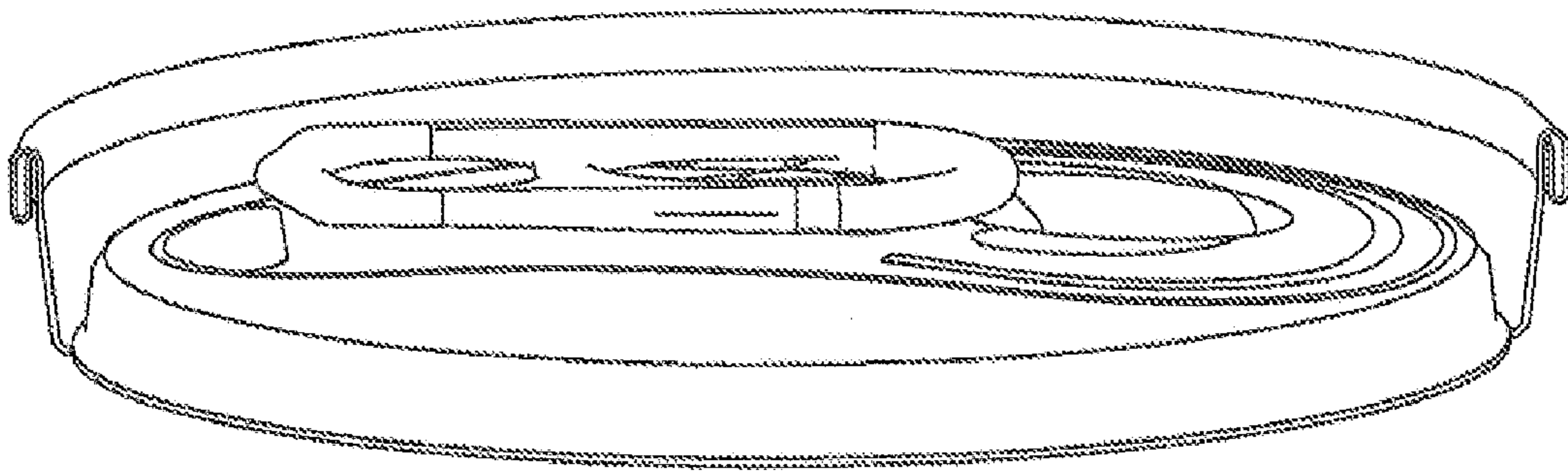


FIG. 2

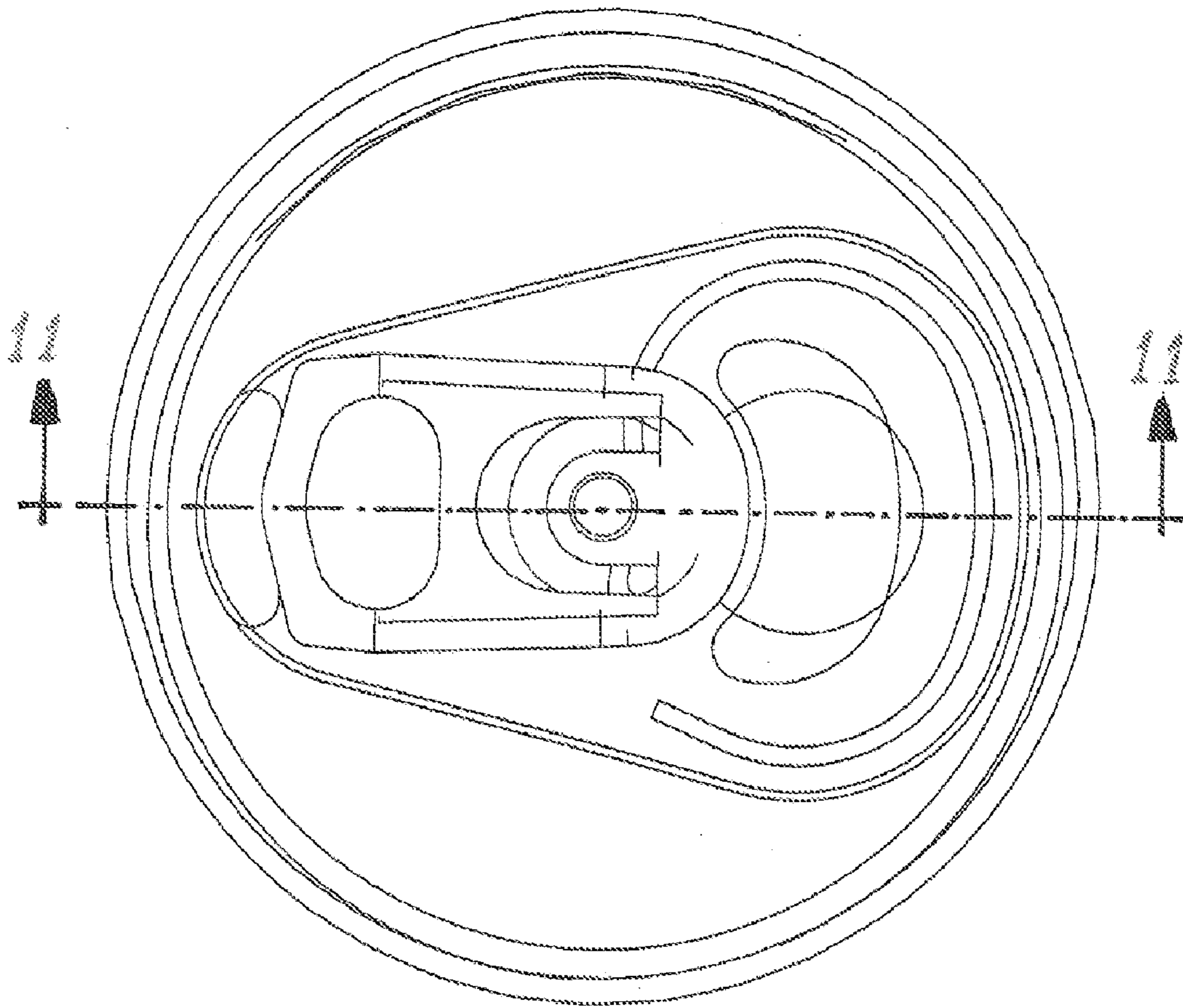


FIG. 3

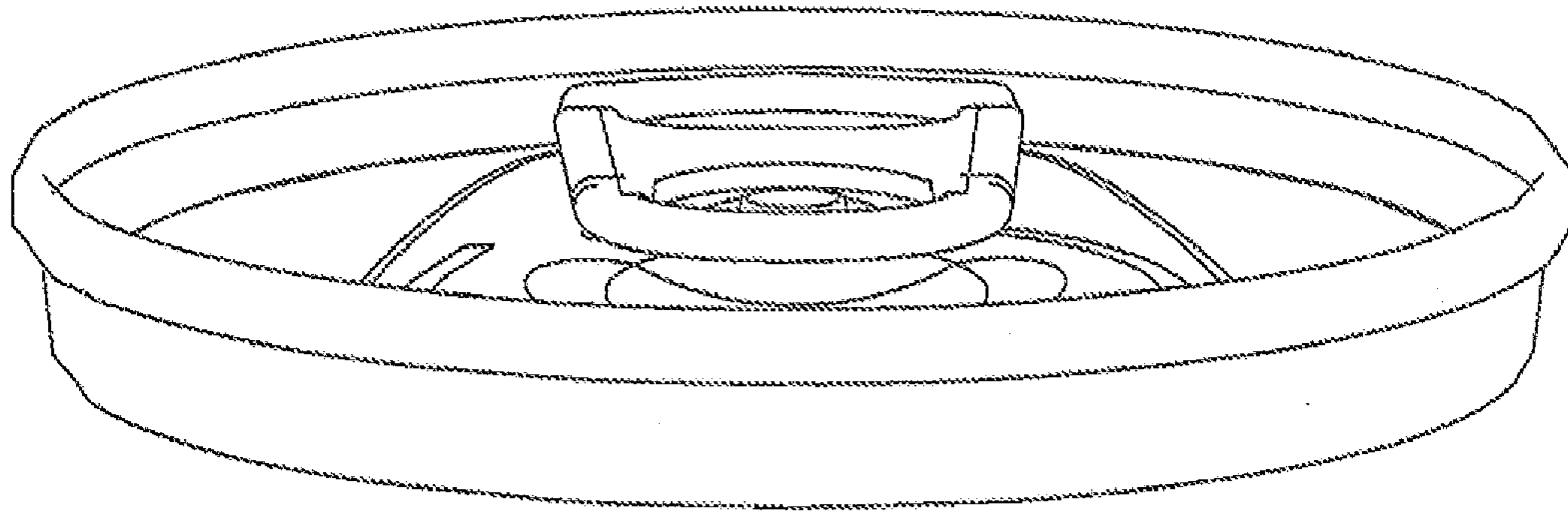


FIG. 4

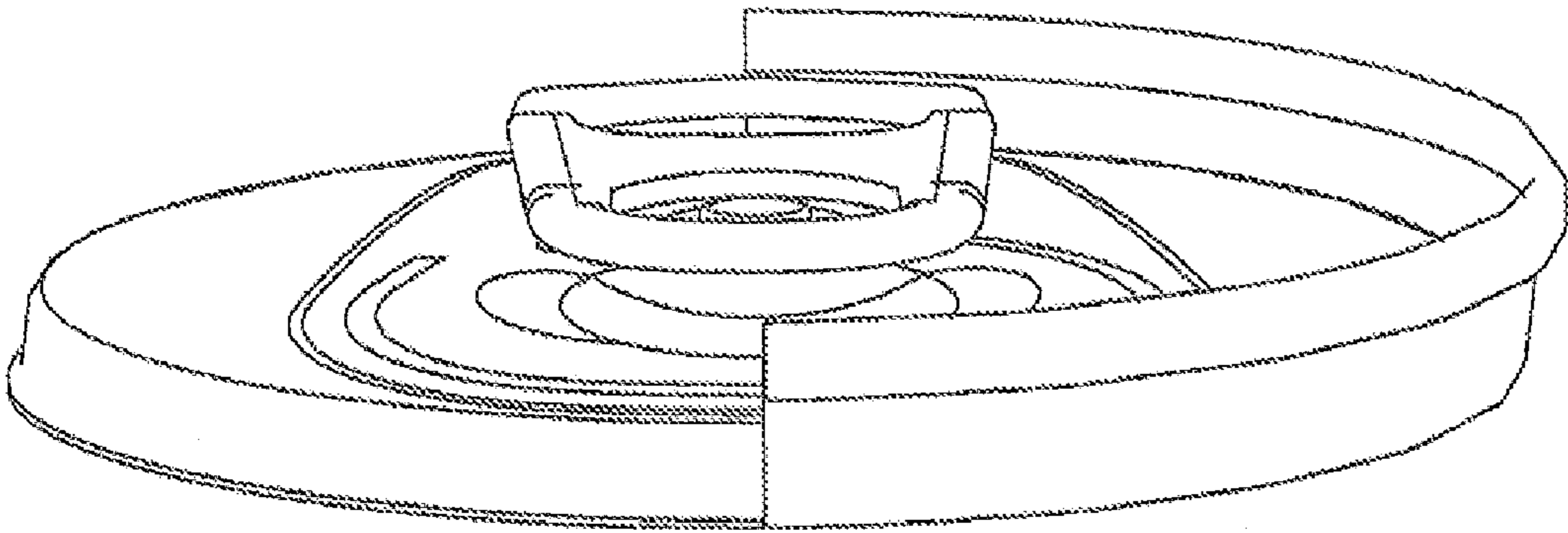


FIG. 5

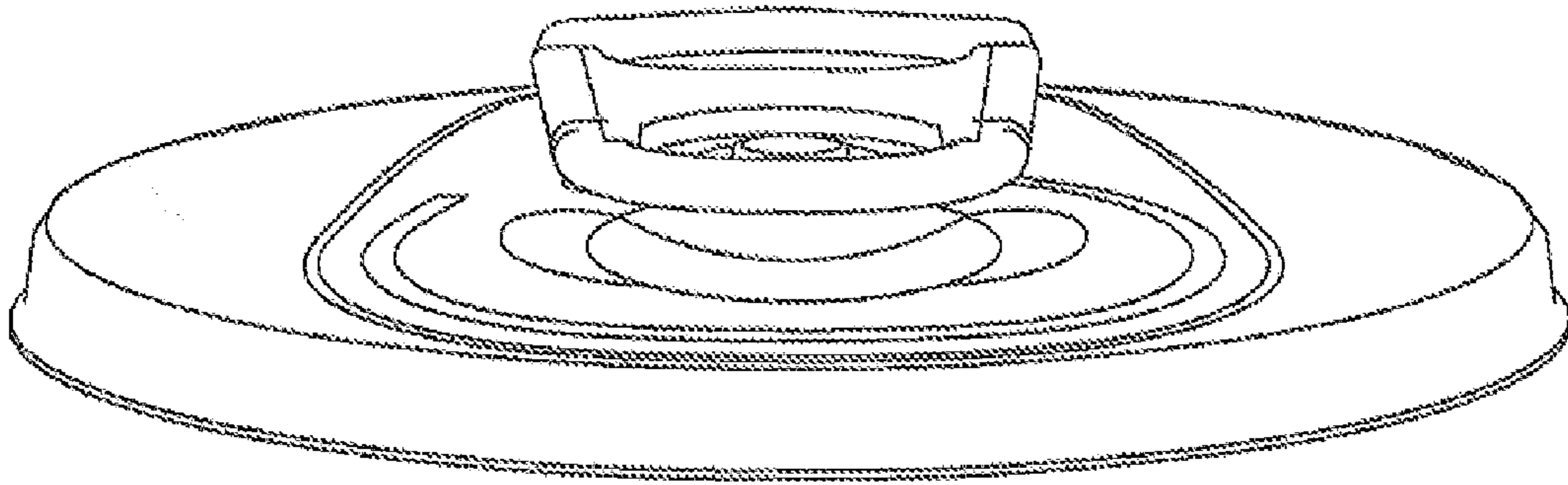


FIG. 6

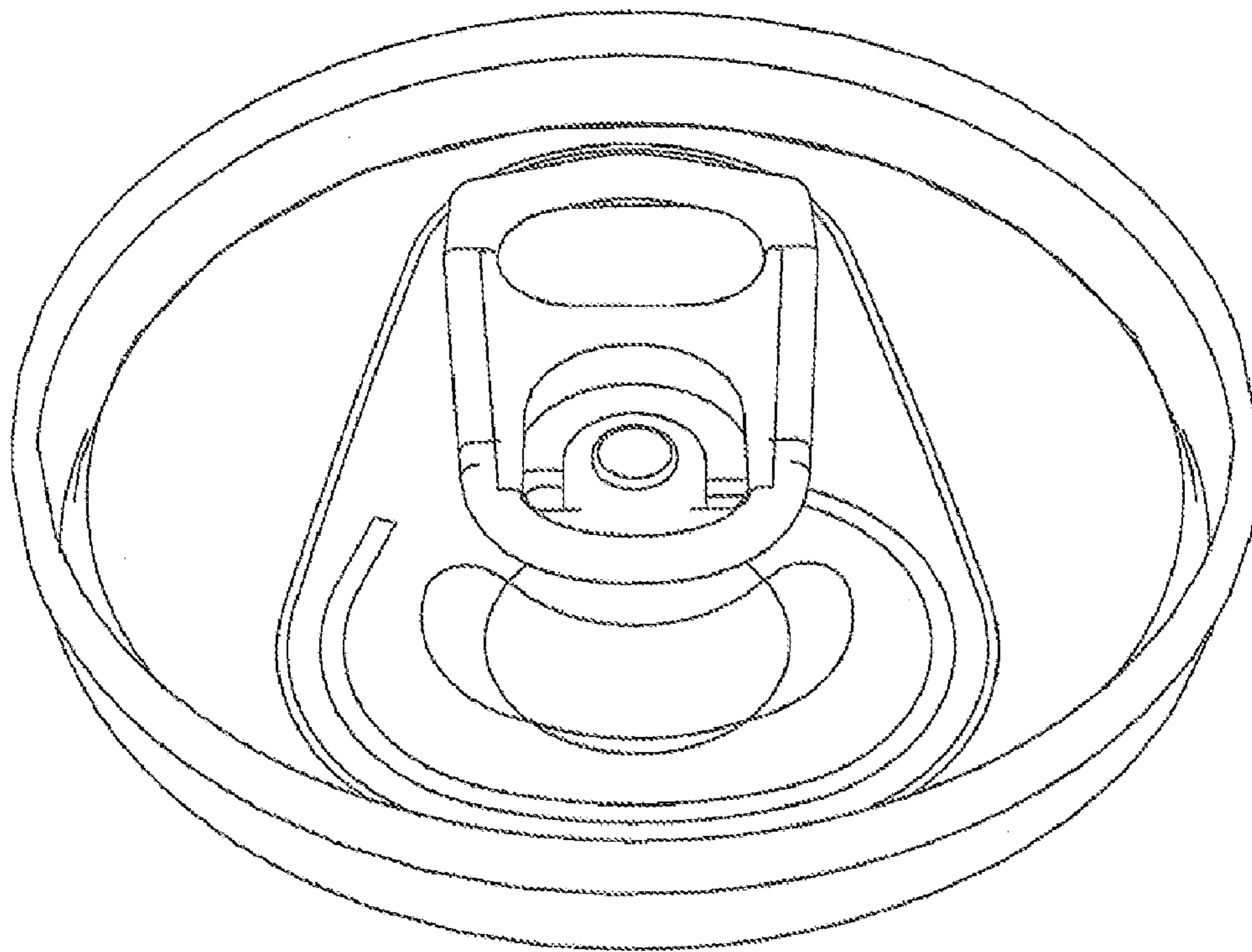


FIG. 7

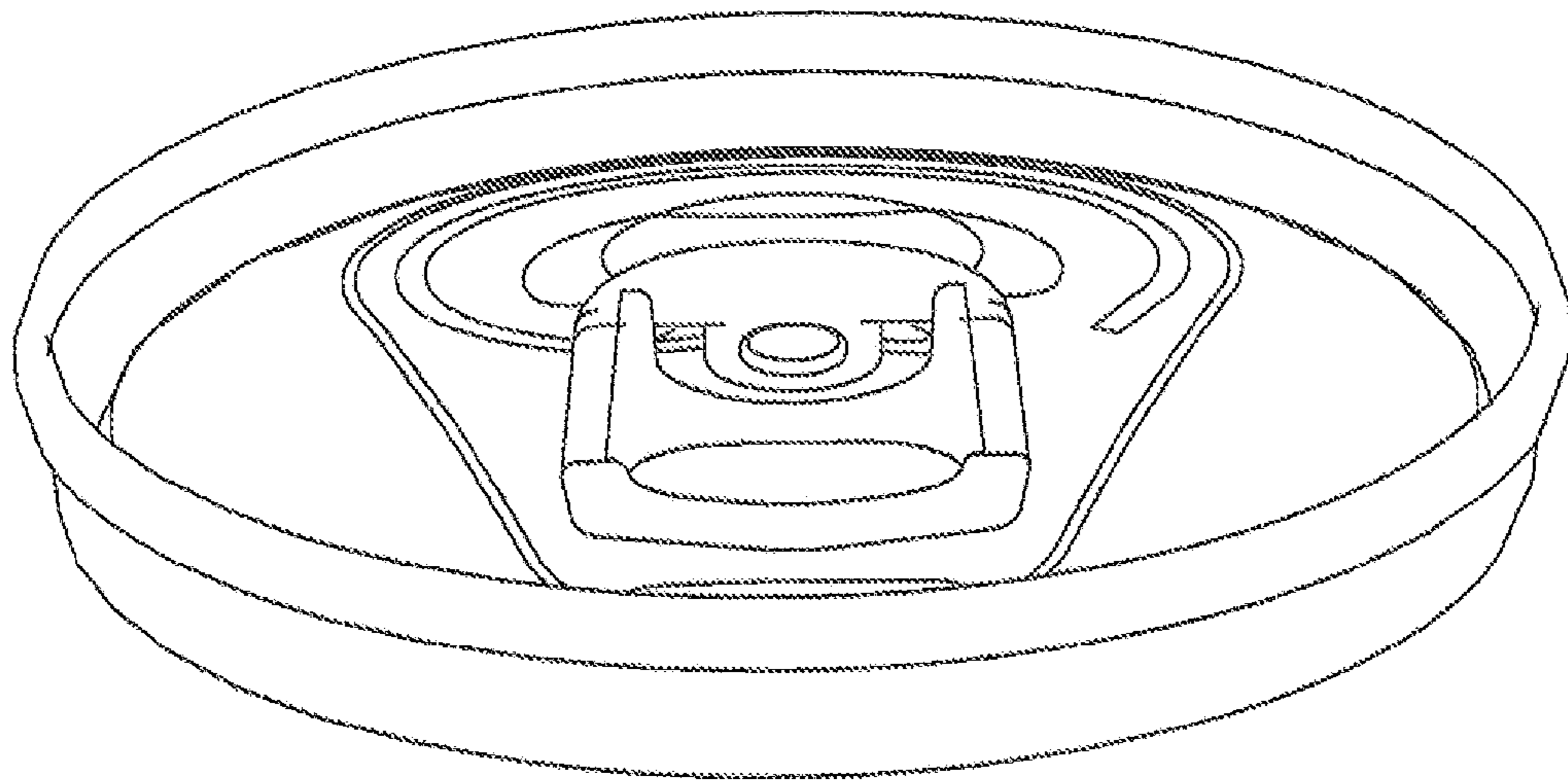


FIG. 8

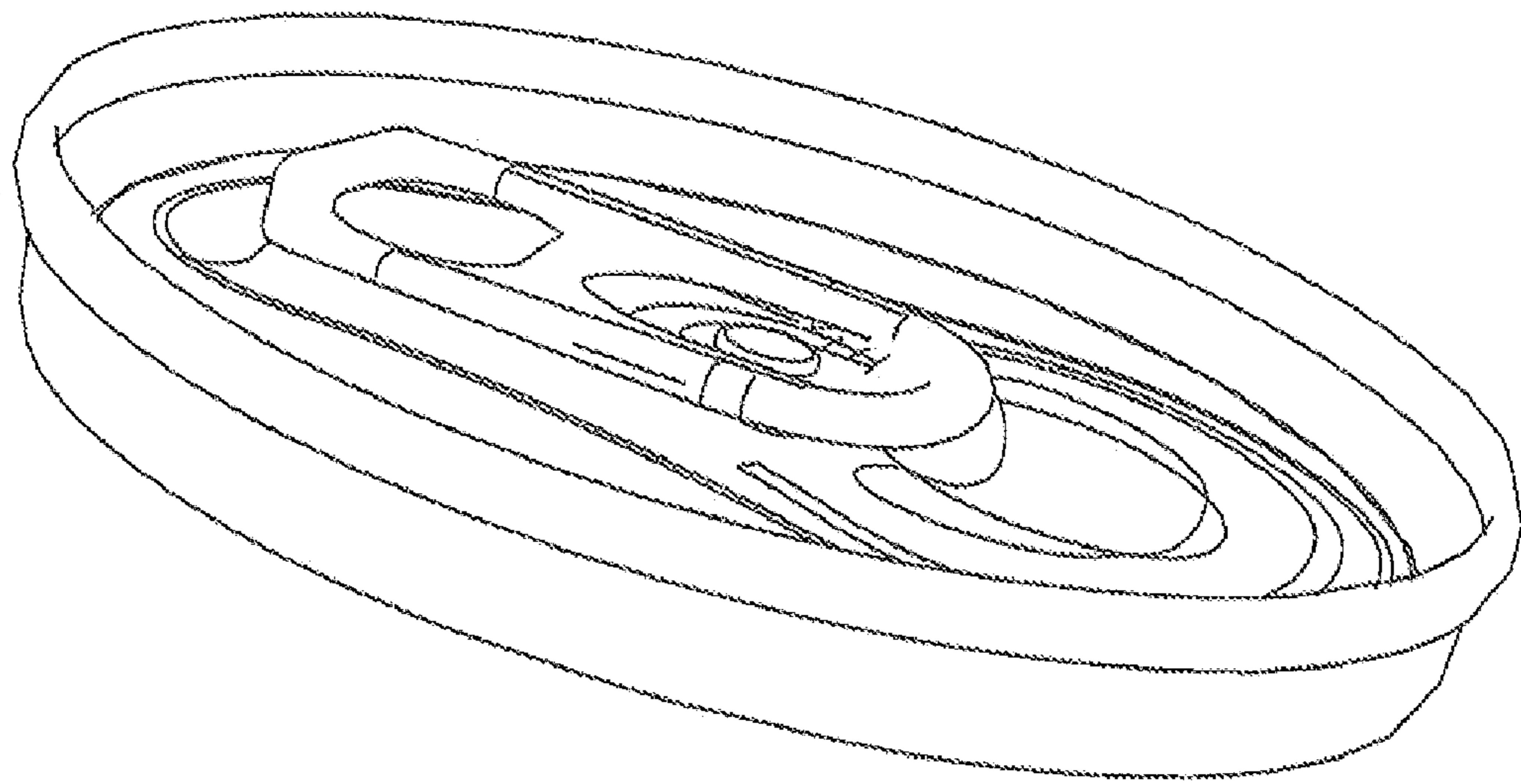


FIG. 9

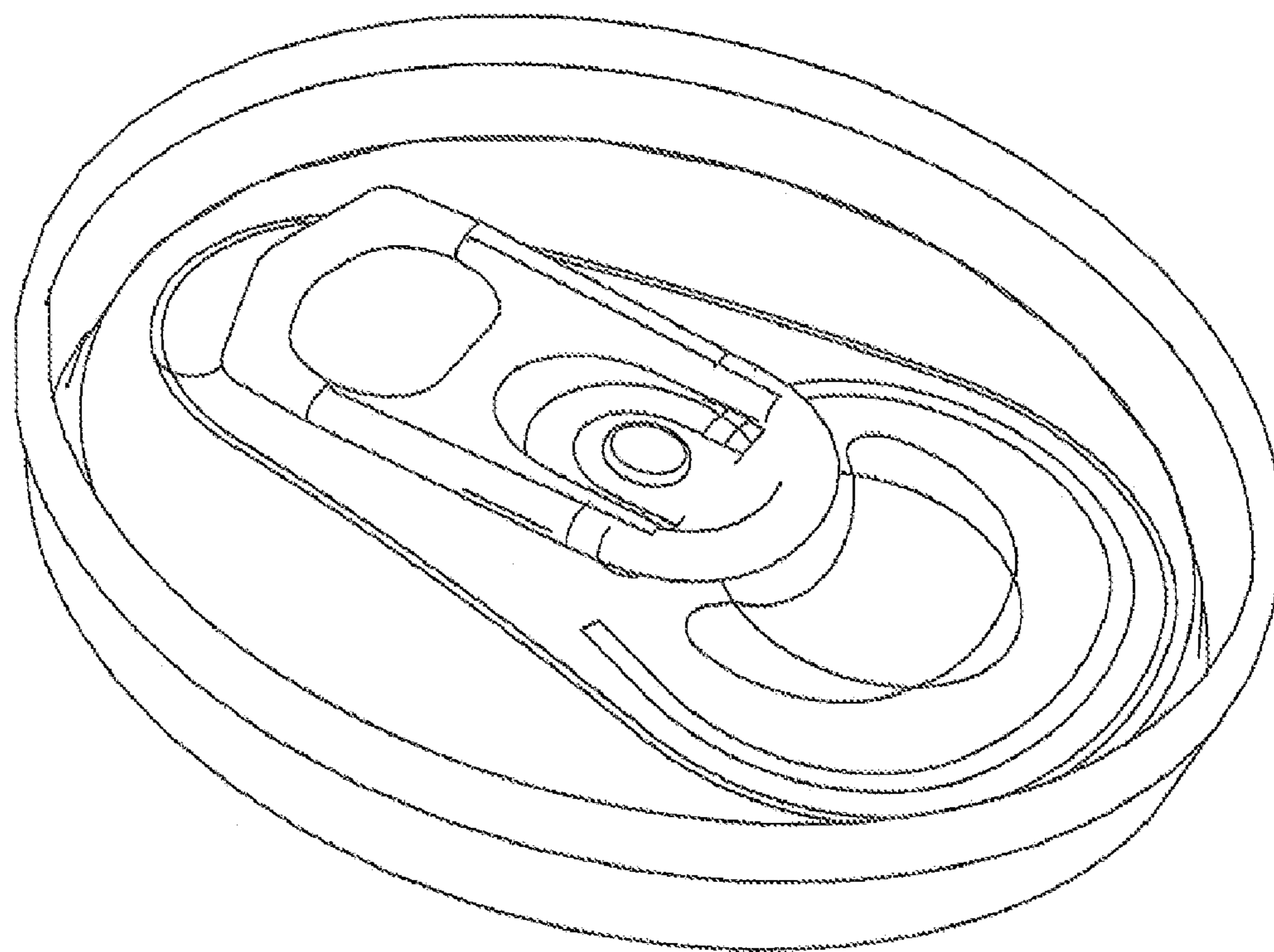


FIG. 10

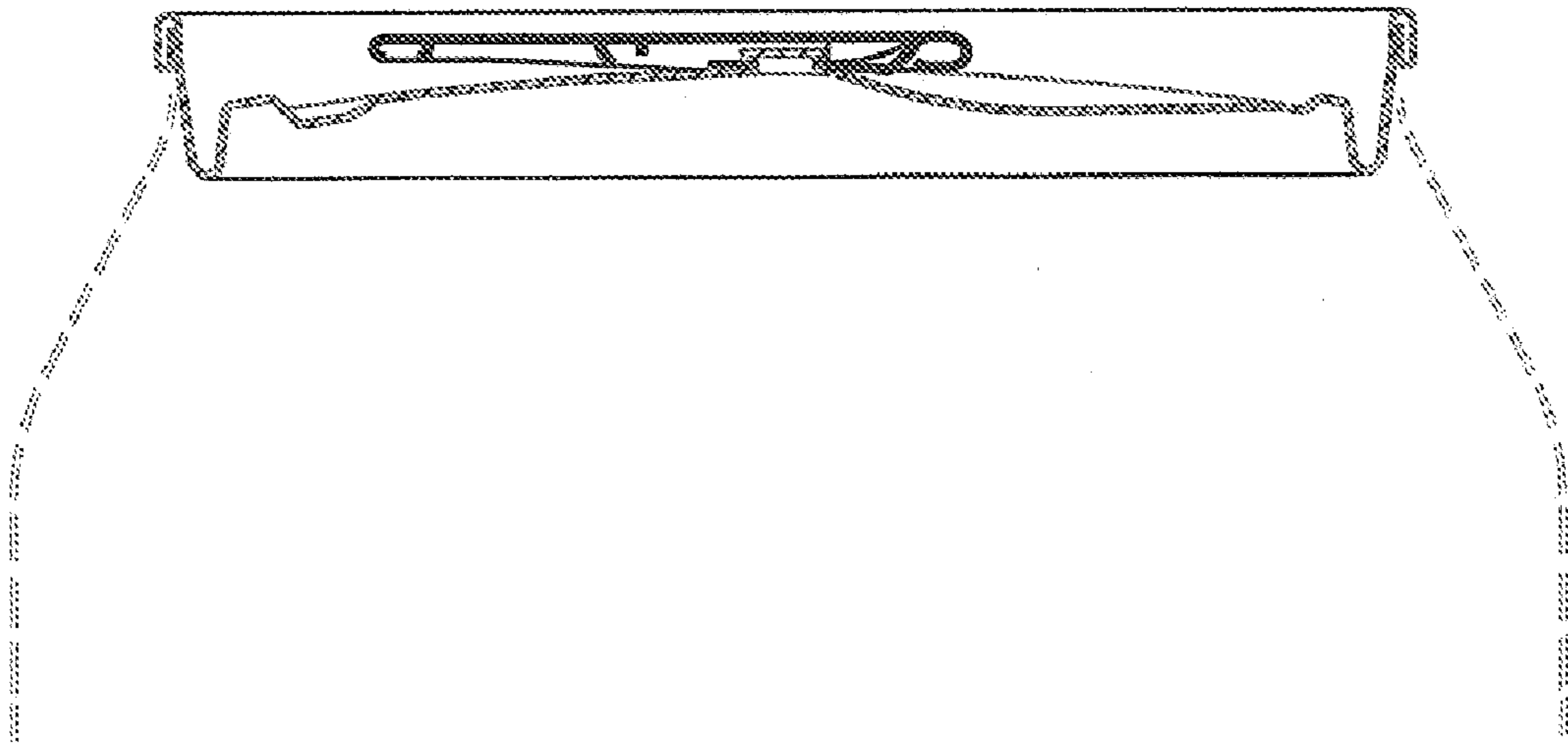


FIG. 11

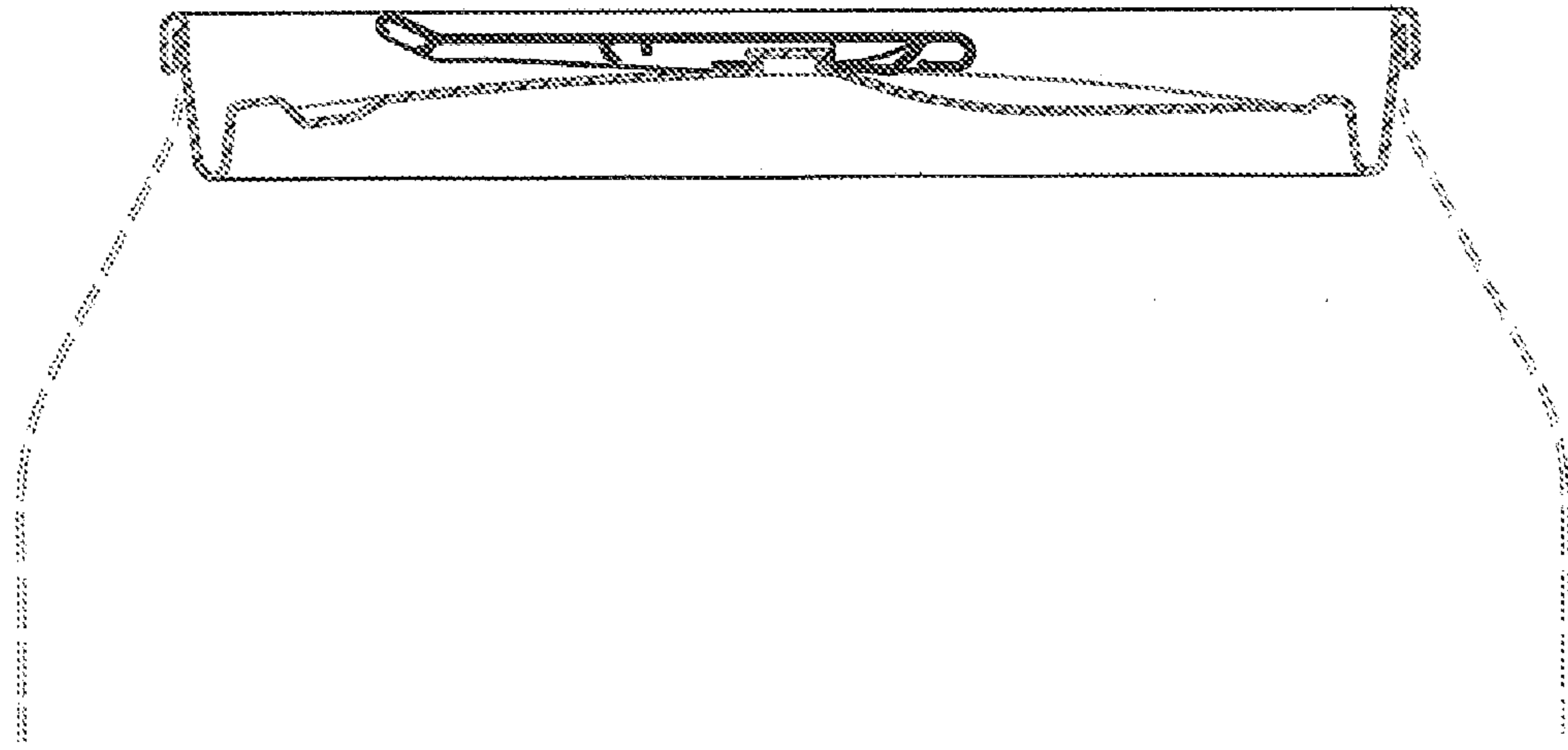


FIG. 12

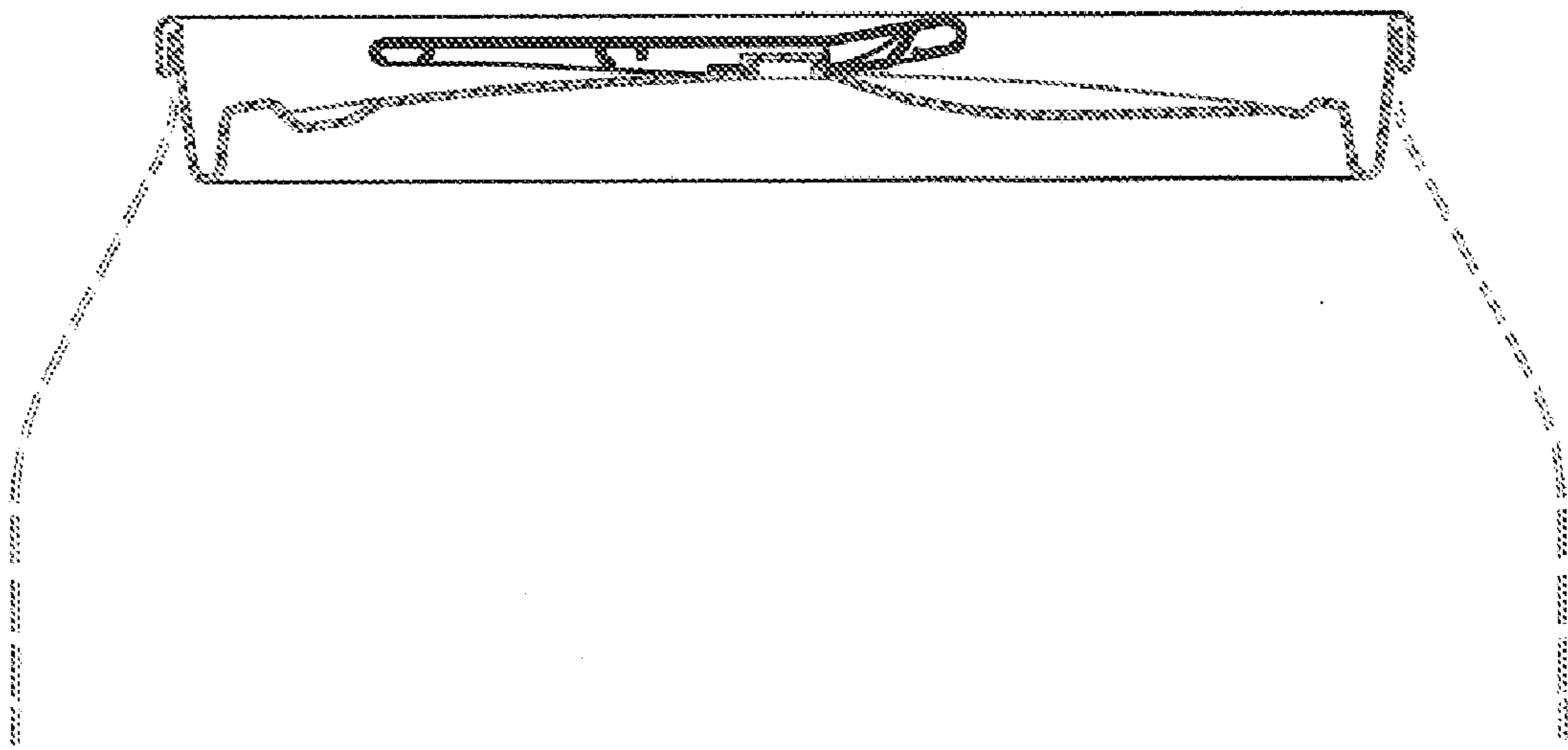


FIG. 13

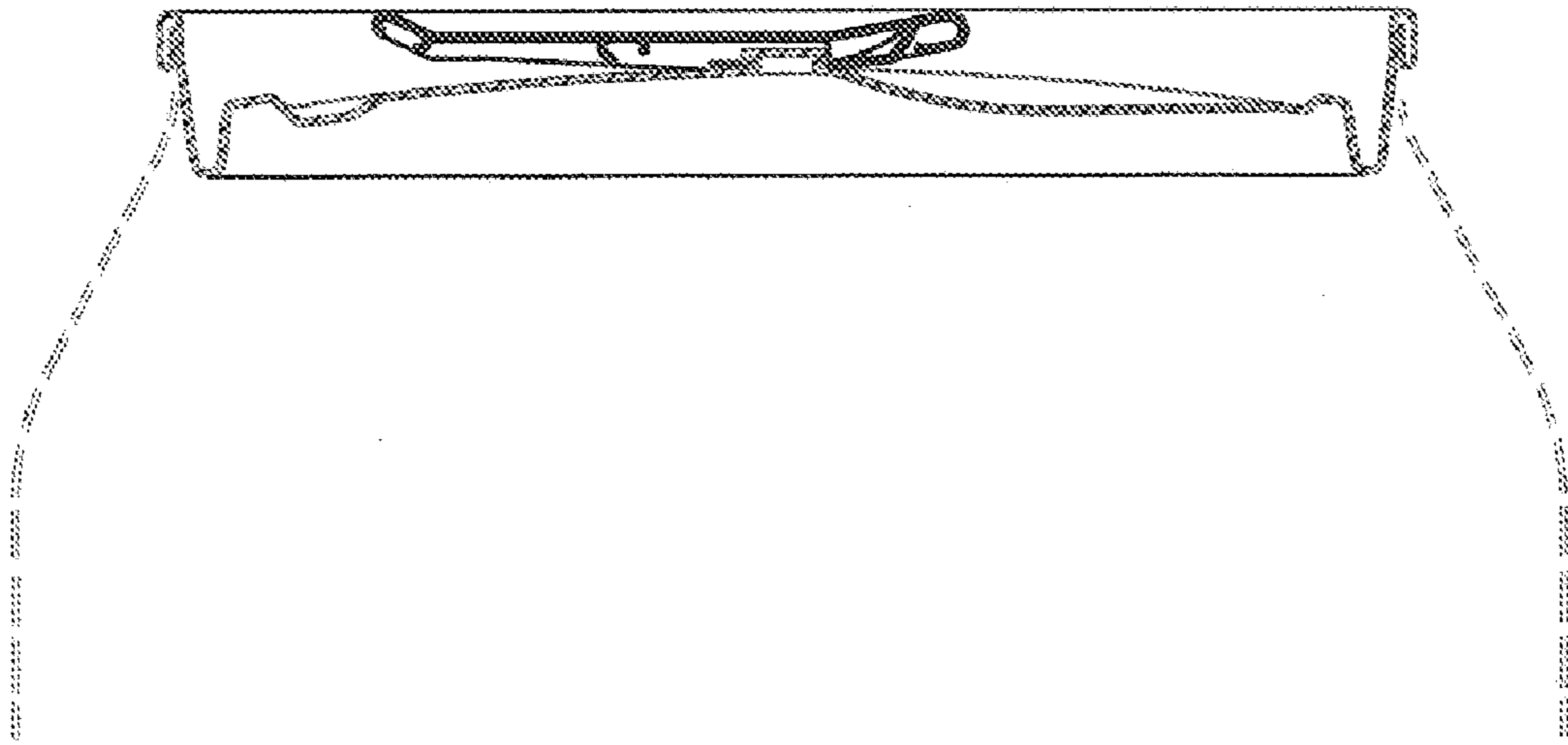


FIG. 14