



US00D602775S

(12) **United States Design Patent**
Shale

(10) **Patent No.:** **US D602,775 S**
(45) **Date of Patent:** **** Oct. 27, 2009**

(54) **LID WITH ATTACHED UTENSIL**

DESCRIPTION

(75) Inventor: **Simon Shale**, Clayton (AU)

(73) Assignee: **Visy R & D Pty Ltd**, Melbourne, Victoria (AU)

(**) Term: **14 Years**

(21) Appl. No.: **29/302,049**

(22) Filed: **Jan. 9, 2008**

(30) **Foreign Application Priority Data**

Jul. 9, 2007 (AU) 18758/2007

(51) **LOC (9) Cl.** **09-07**

(52) **U.S. Cl.** **D9/436**

(58) **Field of Classification Search** D9/717,
D9/709, 704, 670, 660, 658, 652, 646, 632,
D9/605, 604, 601, 457, 454, 453, 451, 441,
D9/439, 436, 434, 424, 415; D5/61, 60,
D5/58; D3/303, 276; D20/28, 42; D14/492,
D14/489; D11/221; 53/133.4; 383/64, 61.2,
383/5; 206/470, 469, 468, 462; 220/212;
222/78

See application file for complete search history.

(56) **References Cited**

U.S. PATENT DOCUMENTS

1,425,456 A * 8/1922 Dial 215/228

(Continued)

Primary Examiner—Susan Bennett Hattan

(74) *Attorney, Agent, or Firm*—Rothwell, Figg, Ernst & Manbeck, P.C.

(57) **CLAIM**

The ornamental design for a lid with attached utensil, as shown and described.

FIG. 1 is a bottom left perspective view of a lid with attached utensil with the utensil in an extended position;

FIG. 2 is a bottom view of a lid with attached utensil with the utensil in an extended position;

FIG. 3 is a bottom right perspective view of a lid with attached utensil with the utensil in an extended position;

FIG. 4 is a left side view of a lid with attached utensil with the utensil in an extended position;

FIG. 5 is a front view of a lid with attached utensil with the utensil in an extended position;

FIG. 6 is a right side view of a lid with attached utensil with the utensil in an extended position;

FIG. 7 is a top left perspective view of a lid with attached utensil with the utensil in an extended position;

FIG. 8 is a top view of a lid with attached utensil with the utensil in an extended position;

FIG. 9 is a top right perspective view of a lid with attached utensil with the utensil in an extended position;

FIG. 10 is a bottom view of a lid with attached utensil with the utensil in a retracted position;

FIG. 11 is a left side view of a lid with attached utensil with the utensil in a retracted position;

FIG. 12 is a front view of a lid with attached utensil with the utensil in a retracted position;

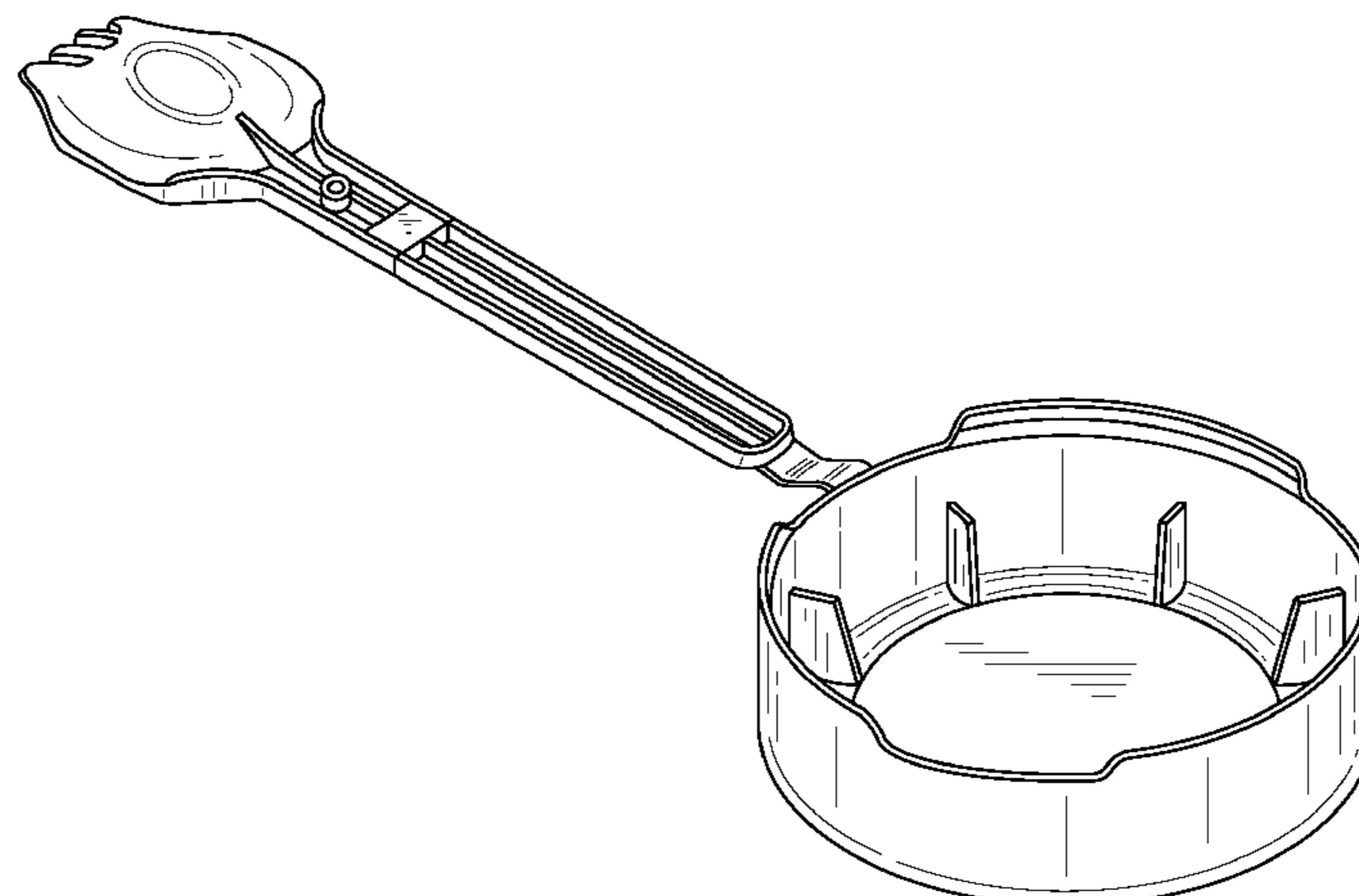
FIG. 13 is a right side view of a lid with attached utensil with the utensil in a retracted position;

FIG. 14 is a top view of a lid with attached utensil with the utensil in a retracted position;

FIG. 15 is a top left perspective view of a lid with attached utensil with the utensil in a retracted position; and,

FIG. 16 is a bottom left perspective view of a lid with attached utensil with the utensil in a retracted position.

1 Claim, 11 Drawing Sheets



US D602,775 S

Page 2

U.S. PATENT DOCUMENTS

2,149,698	A *	3/1939	Humphrey	141/112	D429,147	S *	8/2000	Baker et al.	D9/717
2,175,735	A *	10/1939	Banks	401/119	D456,707	S *	5/2002	Agarwal	D9/717
D141,944	S *	7/1945	Wolff	D9/436	D502,843	S *	3/2005	Tollman	D7/505
D191,387	S *	9/1961	Hansen	D9/436	D510,503	S *	10/2005	Tollman	D7/505
D206,294	S *	11/1966	Paris	D9/436	D533,075	S *	12/2006	Snedden et al.	D9/717
3,730,372	A *	5/1973	Komendowski	215/47	D547,124	S *	7/2007	Peretz	D7/538
4,060,176	A *	11/1977	Tobiasson	220/212	D547,646	S *	7/2007	Crawford et al.	D9/420
D302,793	S *	8/1989	Yamaguchi	D9/436	D585,698	S *	2/2009	Trombly	D7/392.1
5,695,084	A *	12/1997	Chmela et al.	220/212	2002/0060220	A1 *	5/2002	Torniainen et al.	220/212
D416,438	S *	11/1999	Molo	D7/392	2003/0029868	A1 *	2/2003	Davidov et al.	220/212
					2004/0094548	A1 *	5/2004	Laveault	220/212

* cited by examiner

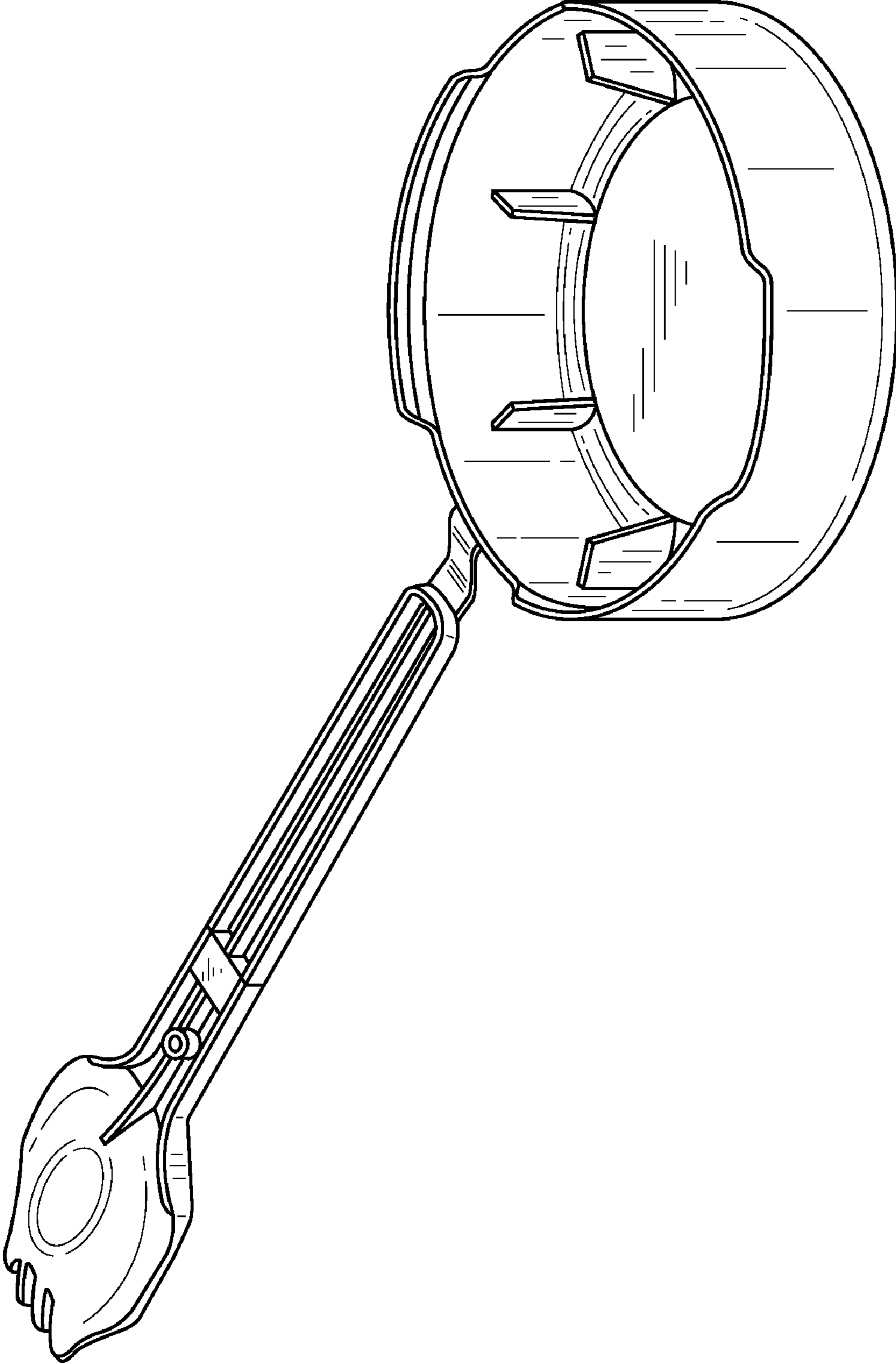


Fig.1

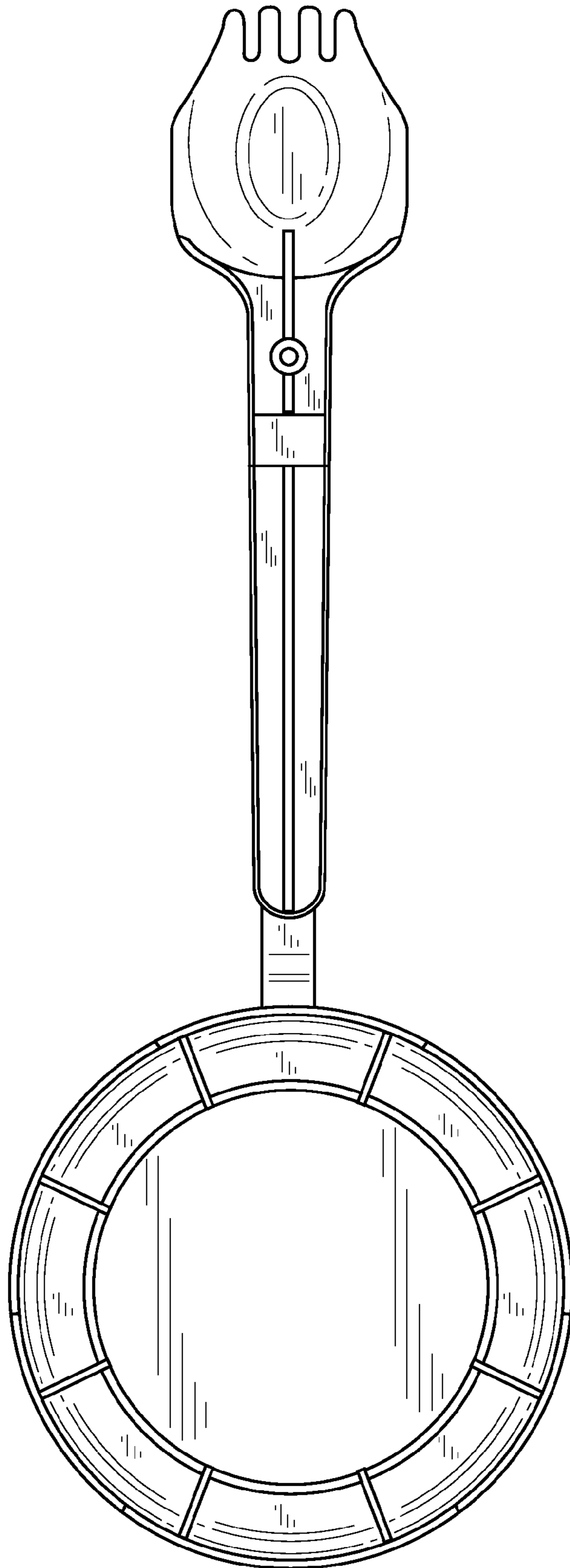


Fig.2

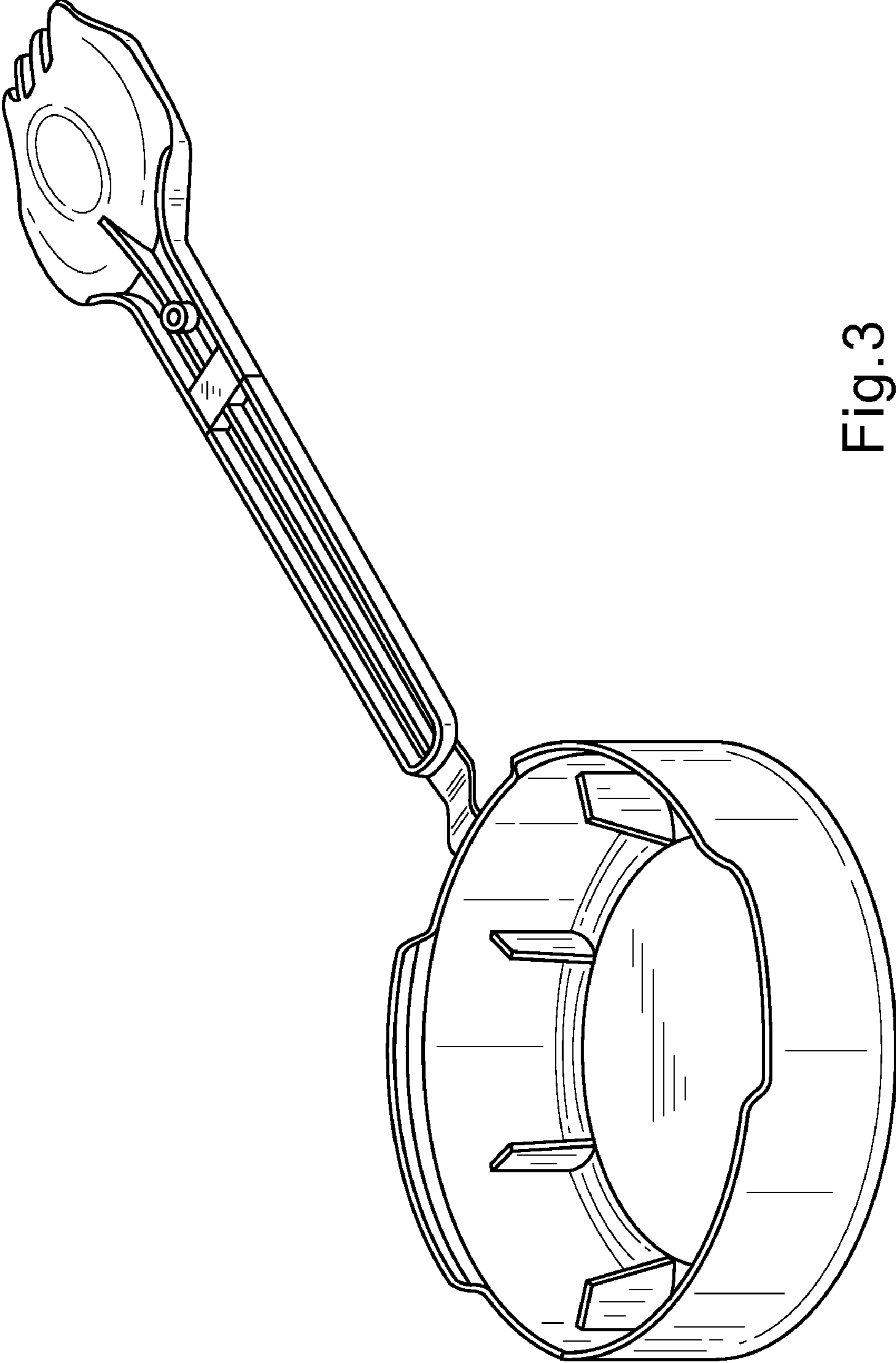


Fig. 3

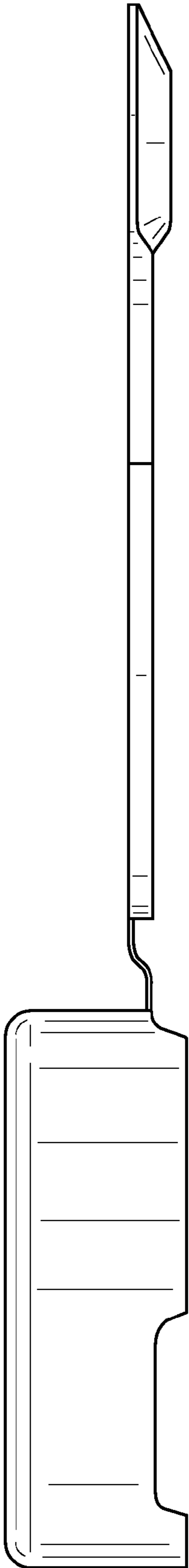


Fig.4

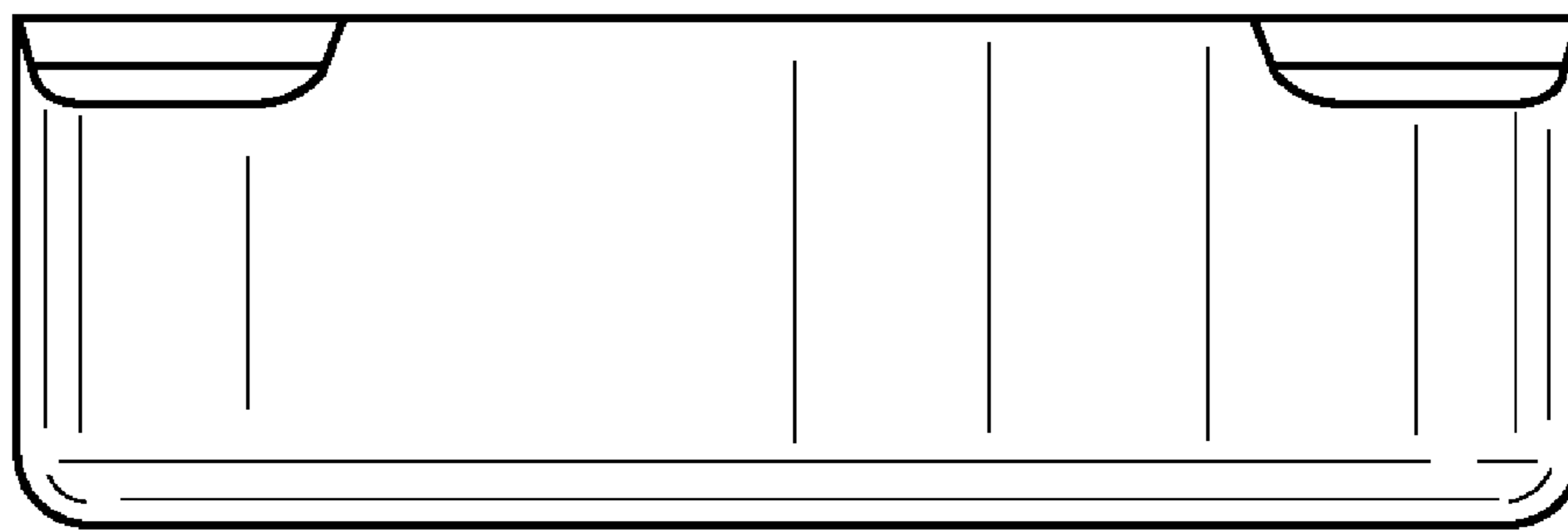


Fig.5

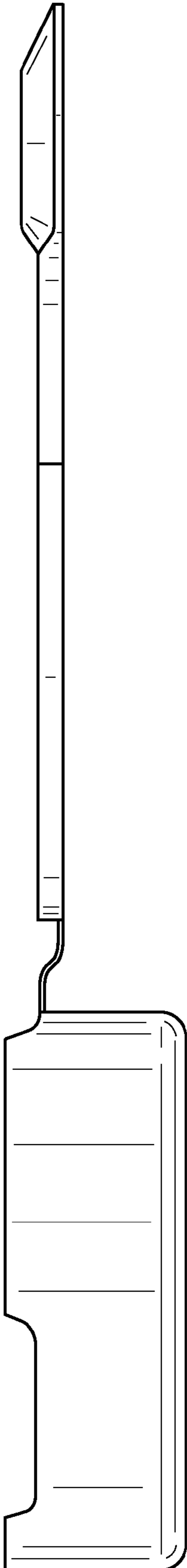


Fig.6

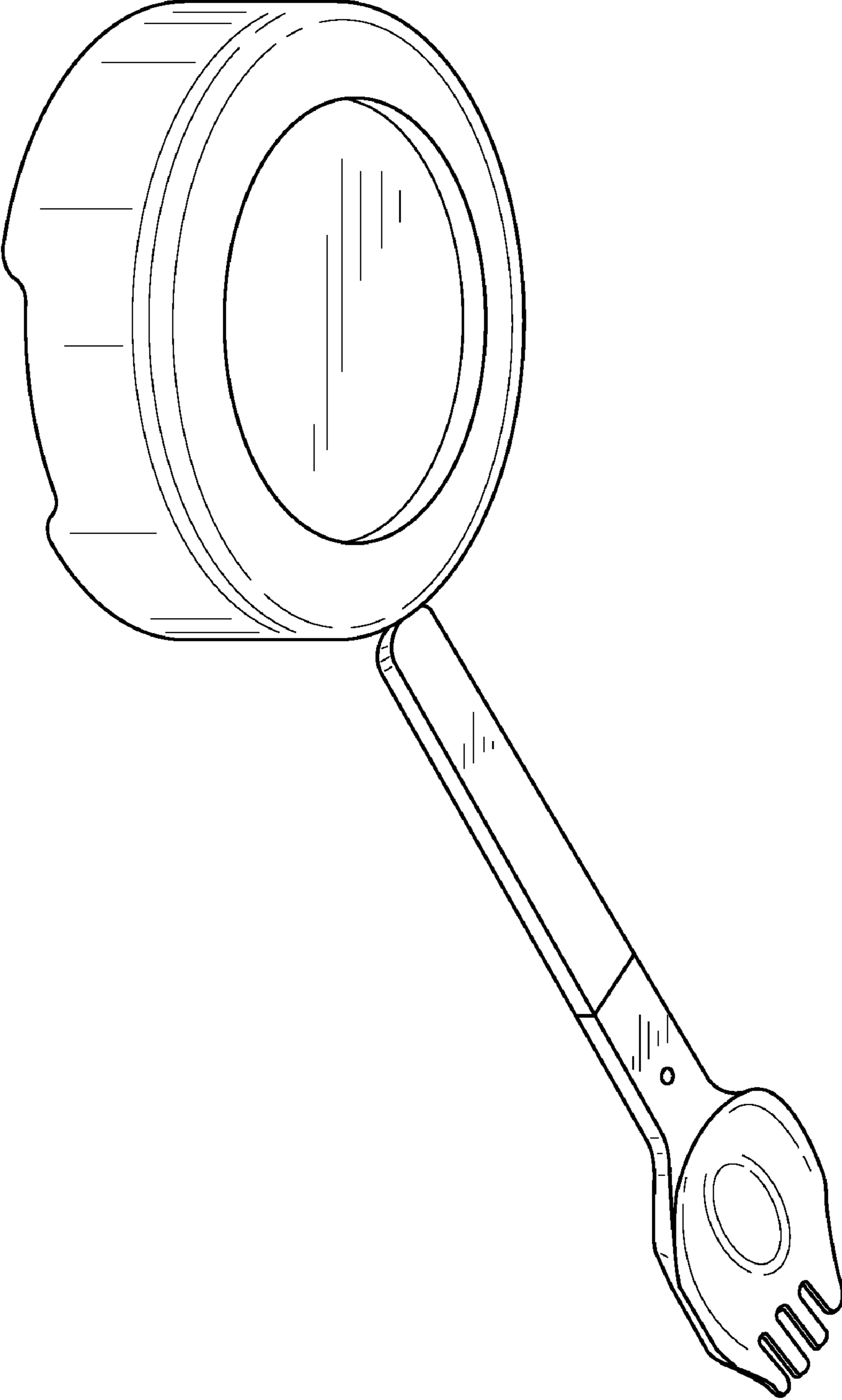


Fig. 7

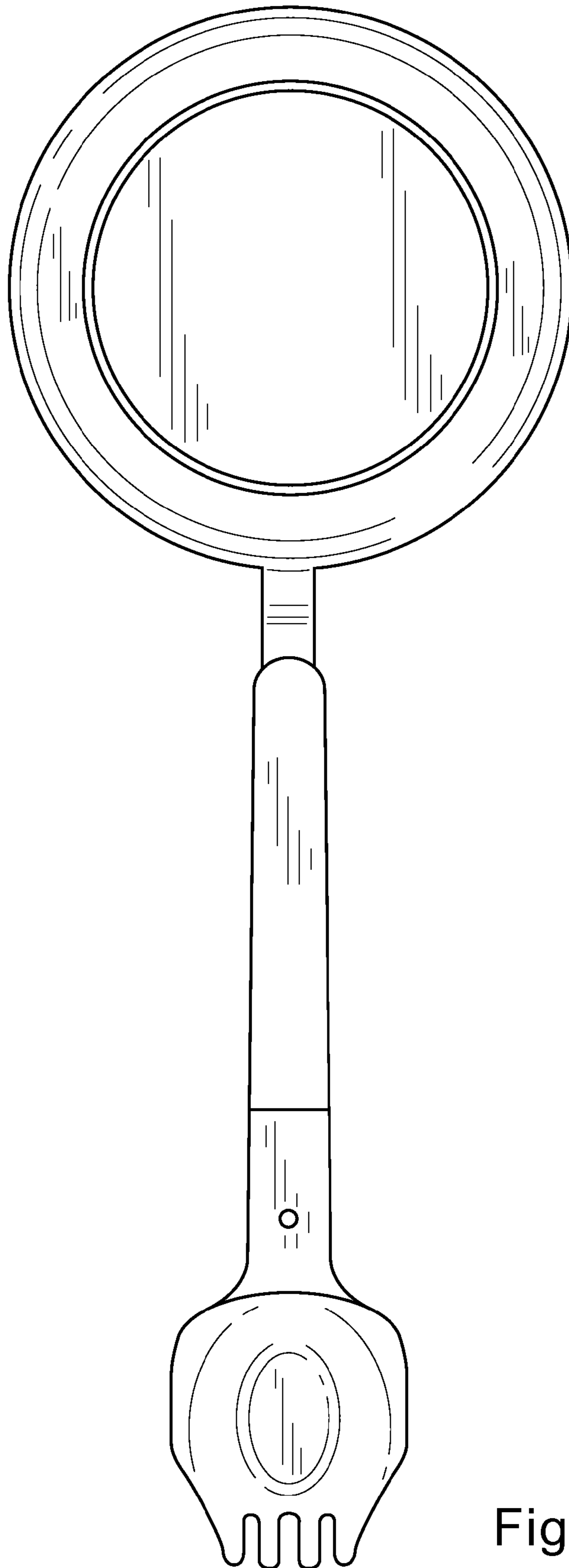


Fig.8

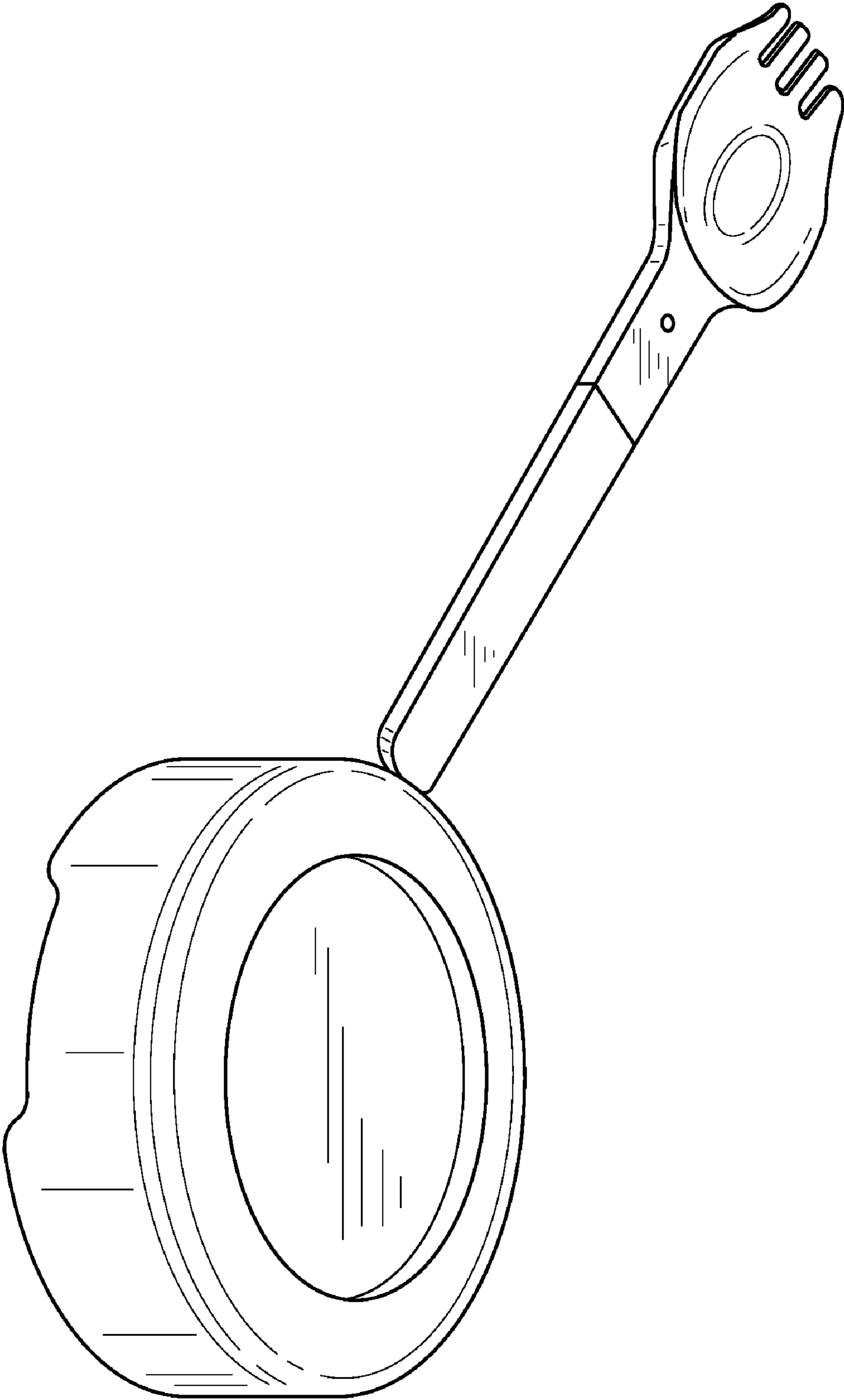


Fig.9

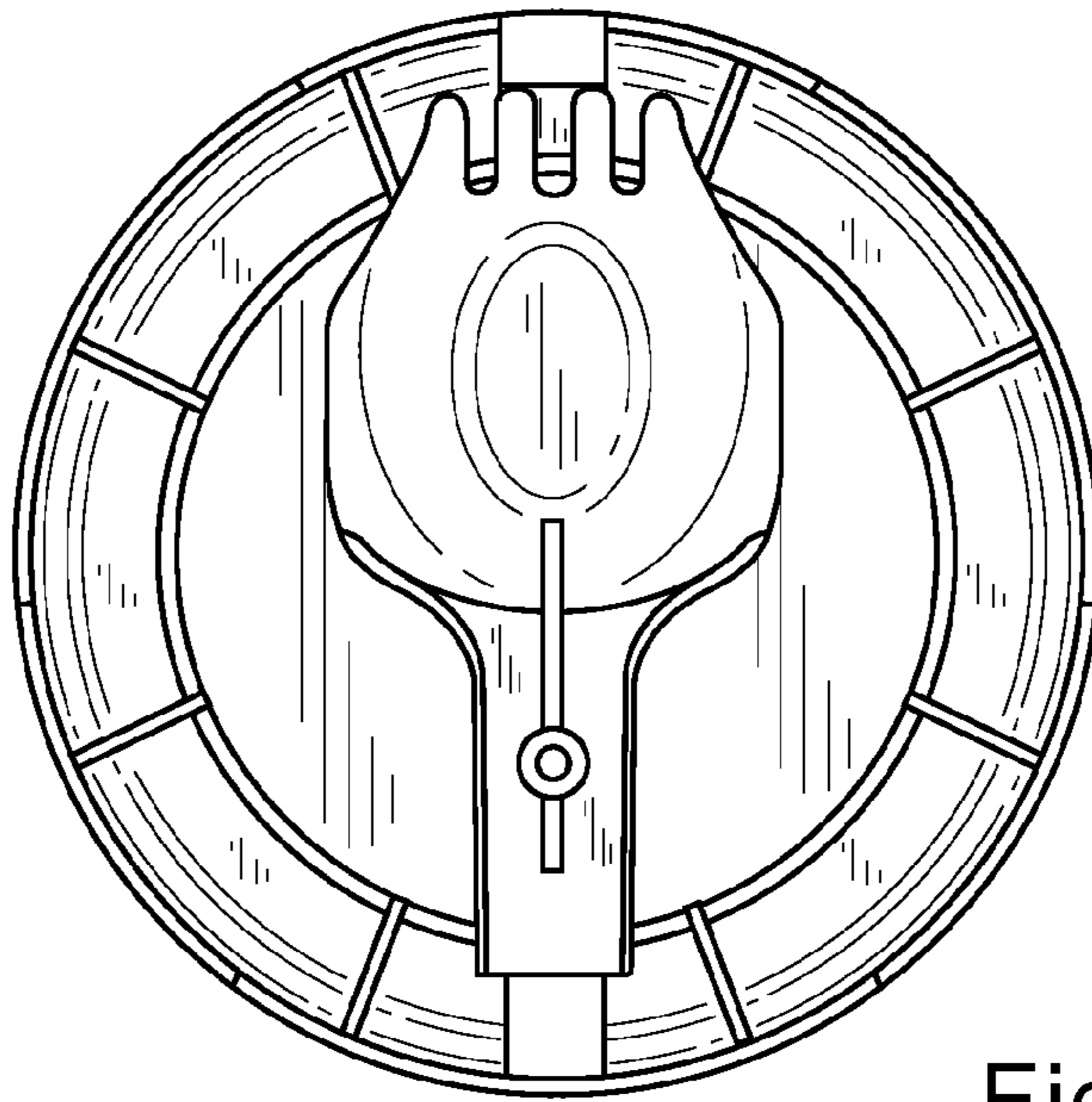


Fig.10

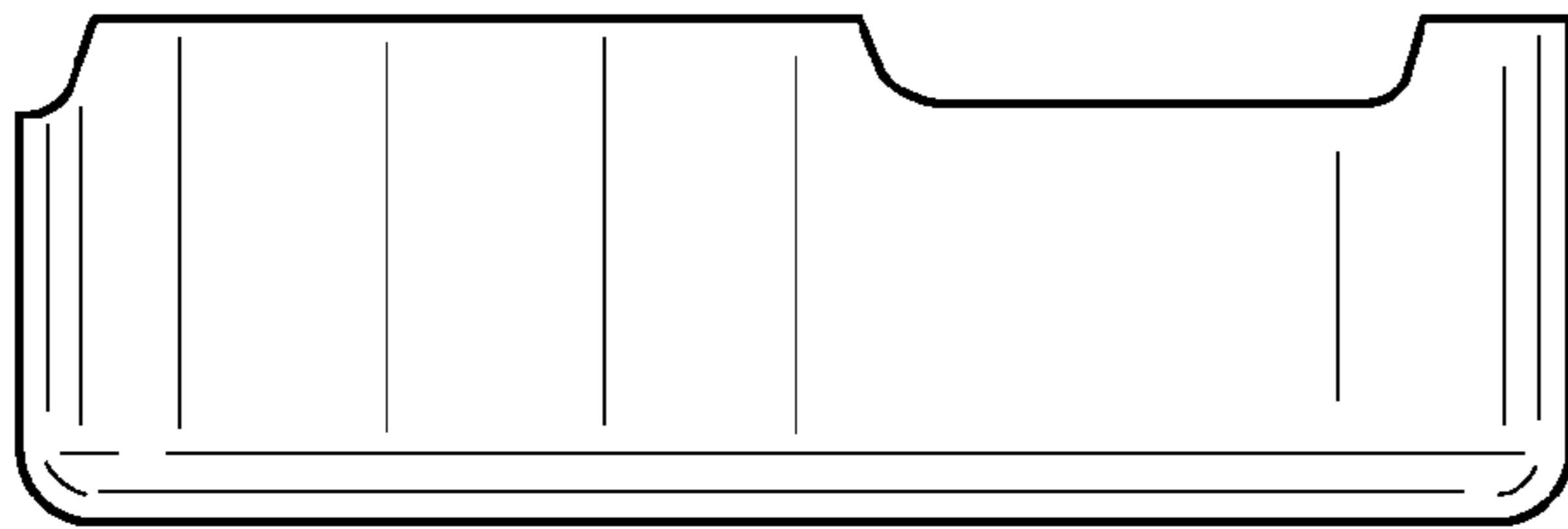


Fig.11

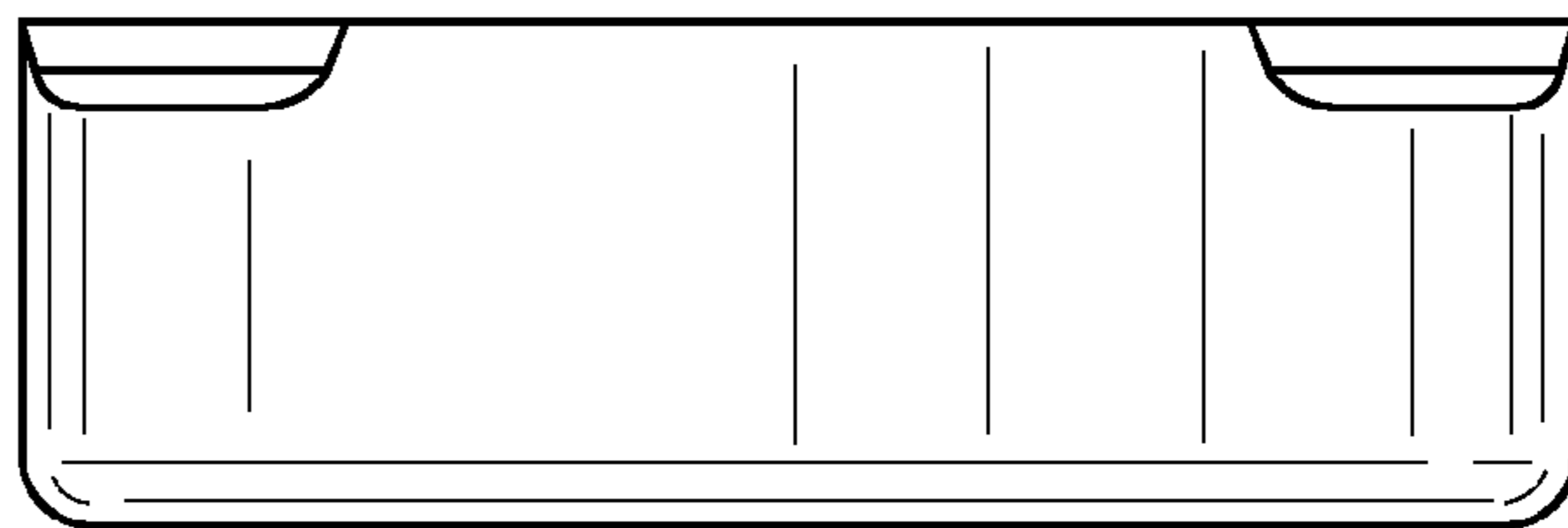


Fig.12

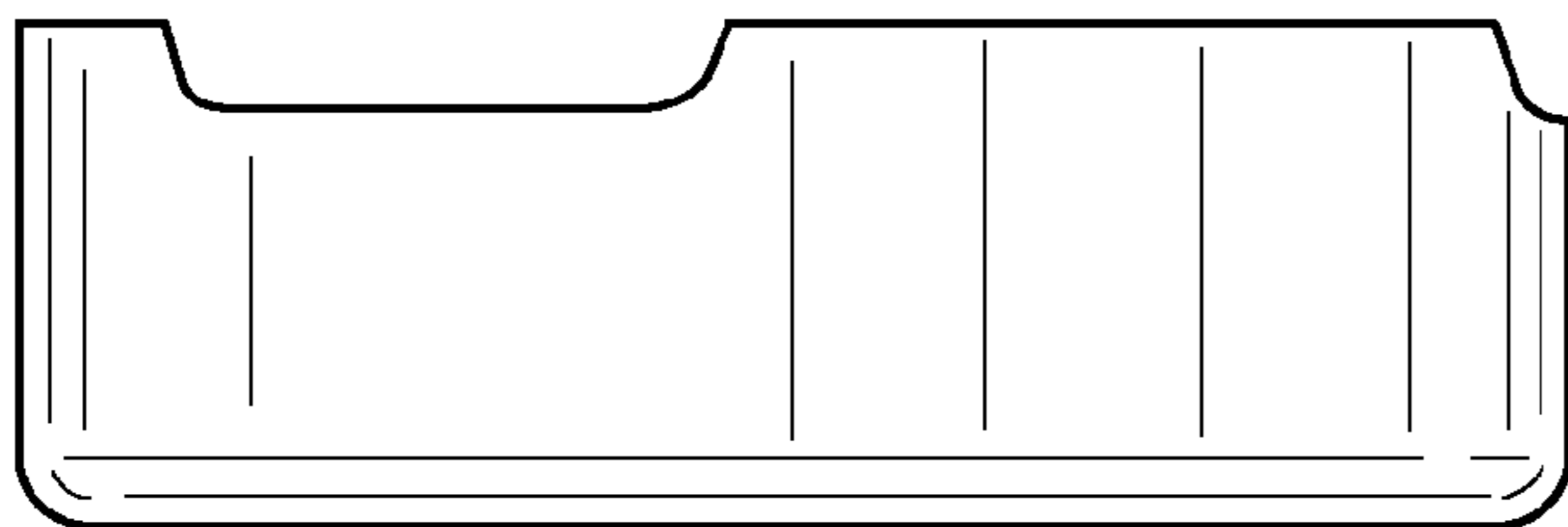


Fig.13

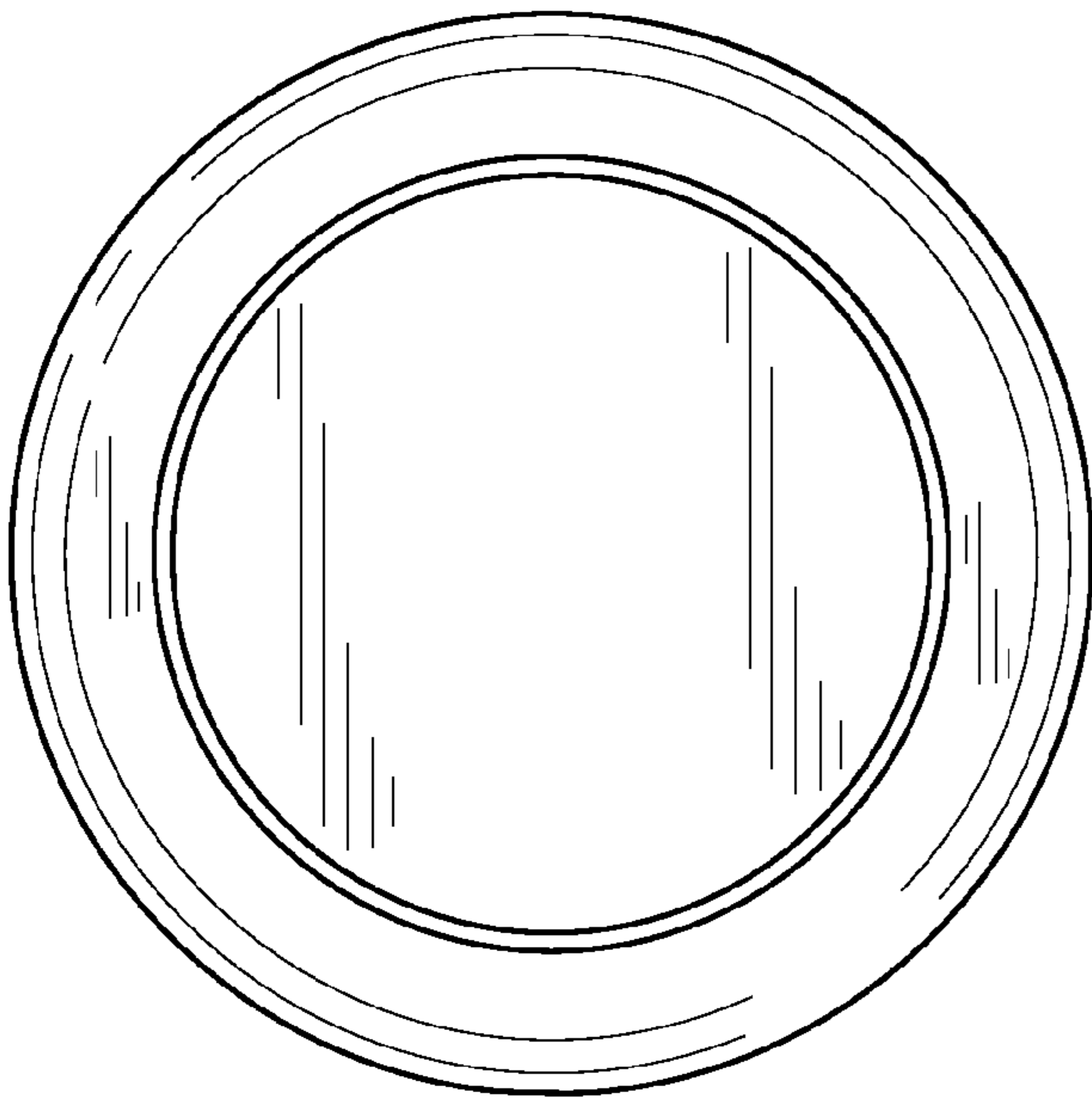


Fig. 14

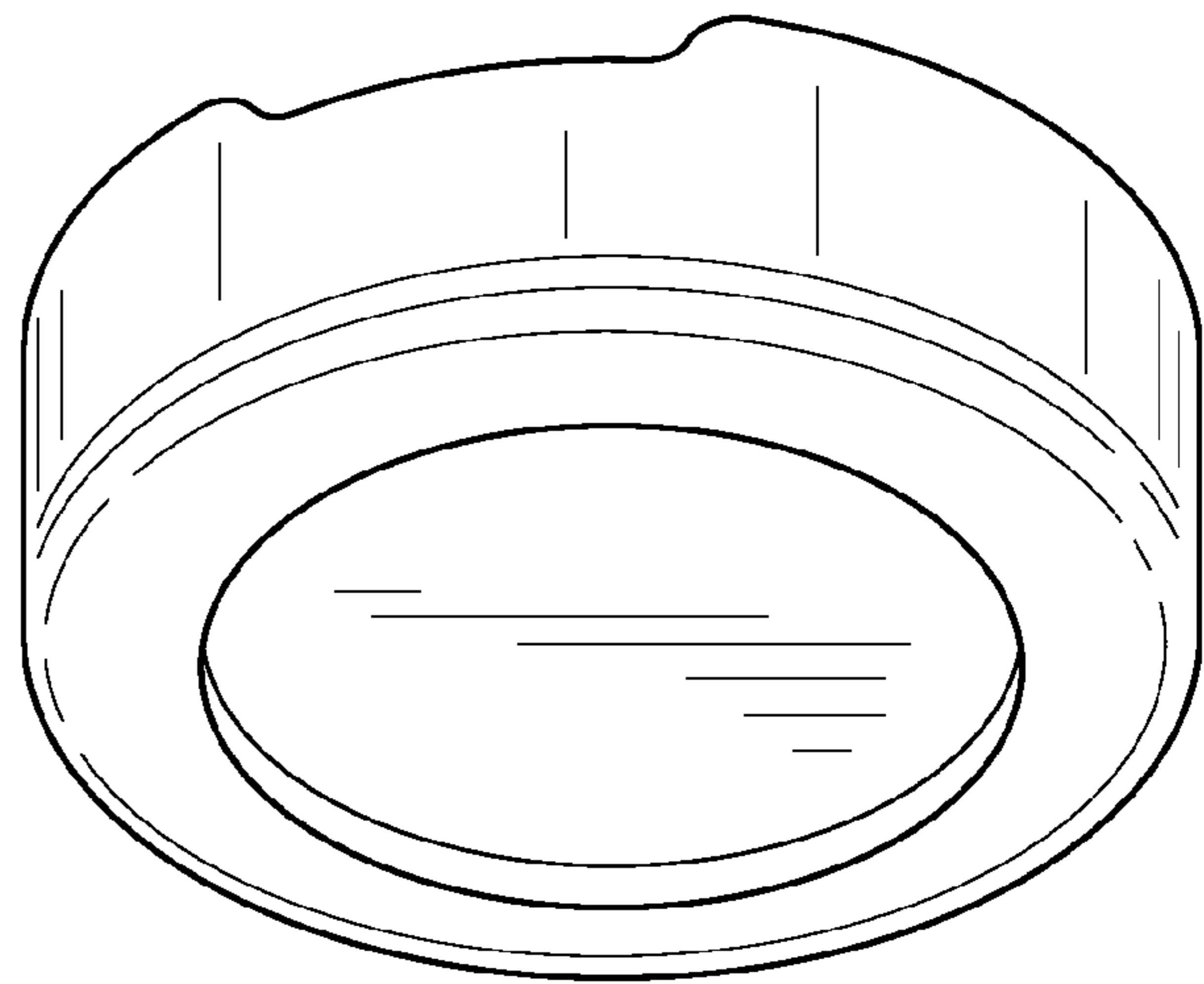


Fig. 15

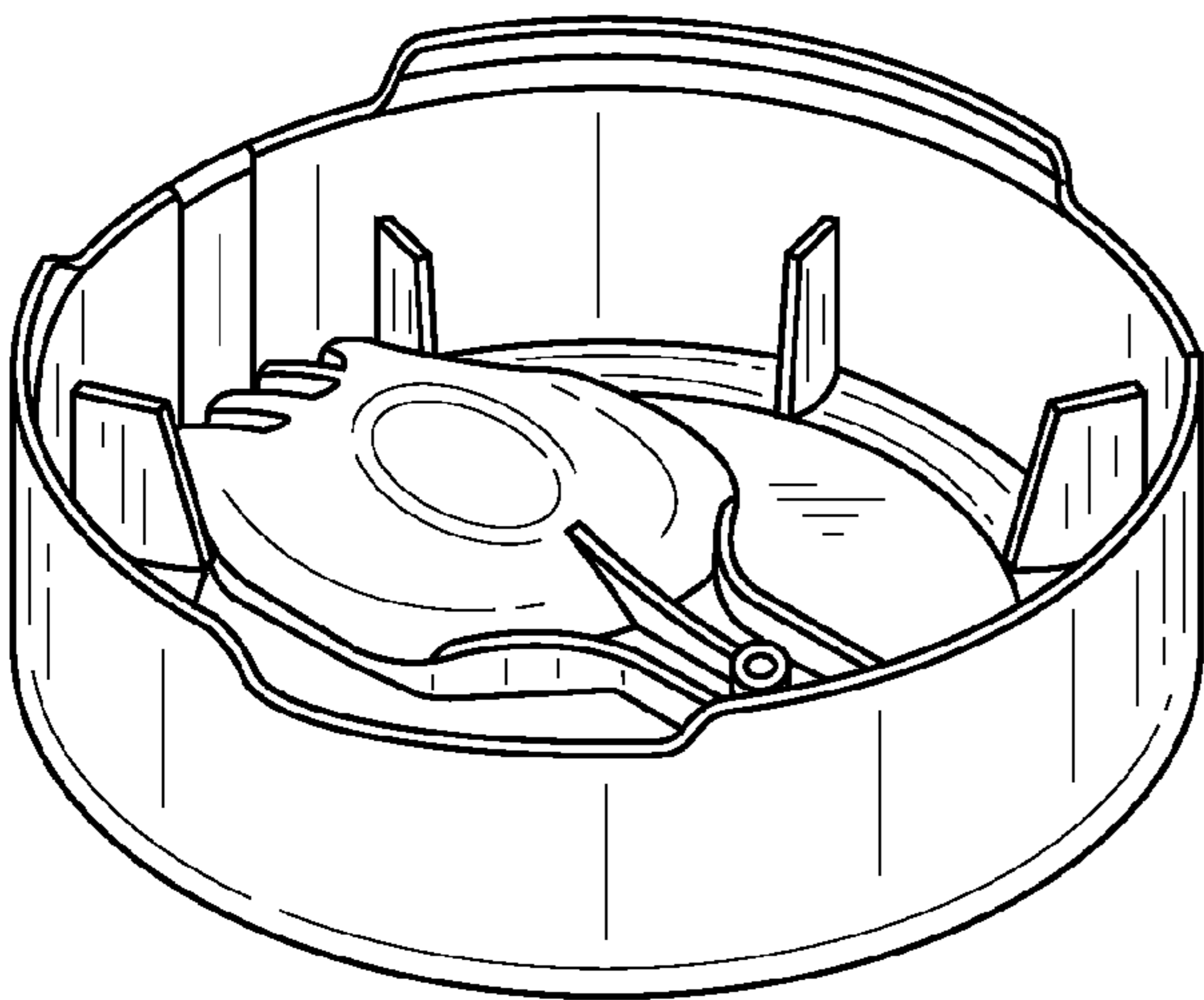


Fig. 16