



US00D602774S

(12) **United States Design Patent**
Parikh et al.

(10) **Patent No.:** **US D602,774 S**
(45) **Date of Patent:** **** Oct. 27, 2009**

- (54) **CLOSURE TABS FOR A CONTAINER**
- (75) Inventors: **Samir R. Parikh**, Brampton (CA);
Sajith Chenat, Brampton (CA)
- (73) Assignee: **Par-Pak Ltd.**, Brampton (CA)
- (**) Term: **14 Years**
- (21) Appl. No.: **29/324,772**
- (22) Filed: **Sep. 19, 2008**
- (51) **LOC (9) Cl.** **09-07**
- (52) **U.S. Cl.** **D9/435**
- (58) **Field of Classification Search** D9/694,
D9/573, 560, 554, 529, 504, 503, 502, 456,
D9/454, 453, 451, 447, 445, 444, 435, 432,
D9/428, 425, 424, 418; D7/629, 396.2, 396.1,
D7/300; D3/323; D28/91, 82, 8.1; D26/6,
D26/23, 20; 431/291; 222/270, 142.9, 792,
222/266, 226, 212; 217/11; 206/520, 519,
206/508, 505
See application file for complete search history.

- D408,733 S * 4/1999 McCann D9/423
- 5,931,332 A 8/1999 Mygatt et al.
- D430,015 S * 8/2000 Himbert et al. D9/425
- D432,859 S * 10/2000 Hayes et al. D7/392.1
- 6,257,435 B1 7/2001 Chedister et al.
- D446,077 S * 8/2001 Tucker et al. D7/392.1
- D446,115 S * 8/2001 Merrell et al. D9/425
- 6,364,114 B1 4/2002 Glassman
- 7,118,003 B2 10/2006 Sellari et al.
- D569,243 S * 5/2008 Kidd et al. D9/425
- D585,734 S * 2/2009 Doliwa D9/425
- 2004/0118848 A1 6/2004 Marshall
- 2005/0161455 A1 7/2005 Studee
- 2007/0045317 A1 3/2007 Rosender
- 2007/0138180 A1 6/2007 Vovan

* cited by examiner

Primary Examiner—Susan Bennett Hattan
(74) *Attorney, Agent, or Firm*—Bereskin & Parr
LLP/S.E.N.C.R.L./s.r.l.

(57) **CLAIM**

The ornamental design for closure tabs for a container, as shown and described.

(56) **References Cited**

U.S. PATENT DOCUMENTS

- D195,903 S * 8/1963 Bogart D9/425
- 3,786,982 A 1/1974 Rakes et al.
- 4,006,839 A 2/1977 Thiel et al.
- 4,512,474 A 4/1985 Harding
- 4,555,056 A 11/1985 Bernhardt
- 4,602,718 A 7/1986 Dutt
- 4,792,054 A 12/1988 Weidman
- 5,169,014 A 12/1992 Hexamer
- 5,219,087 A 6/1993 Christensson
- 5,249,694 A 10/1993 Nelson
- 5,398,836 A 3/1995 Luch et al.
- 5,507,406 A 4/1996 Urciuoli et al.
- 5,573,134 A 11/1996 Chenault et al.
- 5,584,408 A 12/1996 Orkisz
- 5,788,105 A 8/1998 Foos

DESCRIPTION

FIG. 1 is a perspective view of a first variant of a design of closure tabs in an open state before having been closed;

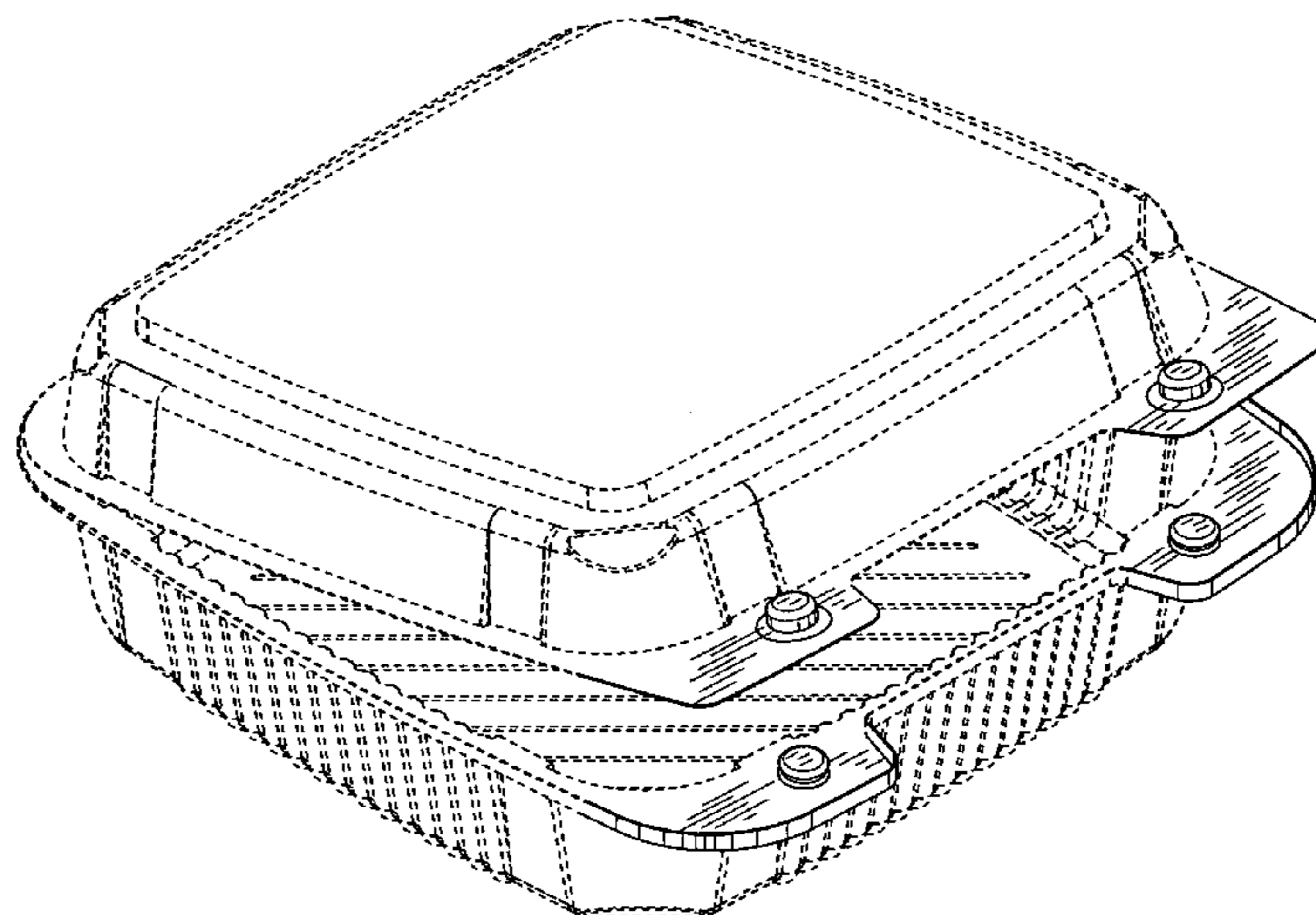
FIG. 2 is a perspective view of the first variant of the design of FIG. 1, showing the closure tabs in a fully closed state;

FIG. 3 is a perspective view of the first variant of the design of FIG. 1, showing the closure tabs in an open state after having been closed; and,

FIGS. 4, 5 and 6 are perspective views of a second variant of the design in states corresponding respectively to the views of FIG. 1, 2, and 3.

In the figures, the features shown in broken line are for environmental purposes and form no part of the claimed subject.

1 Claim, 6 Drawing Sheets



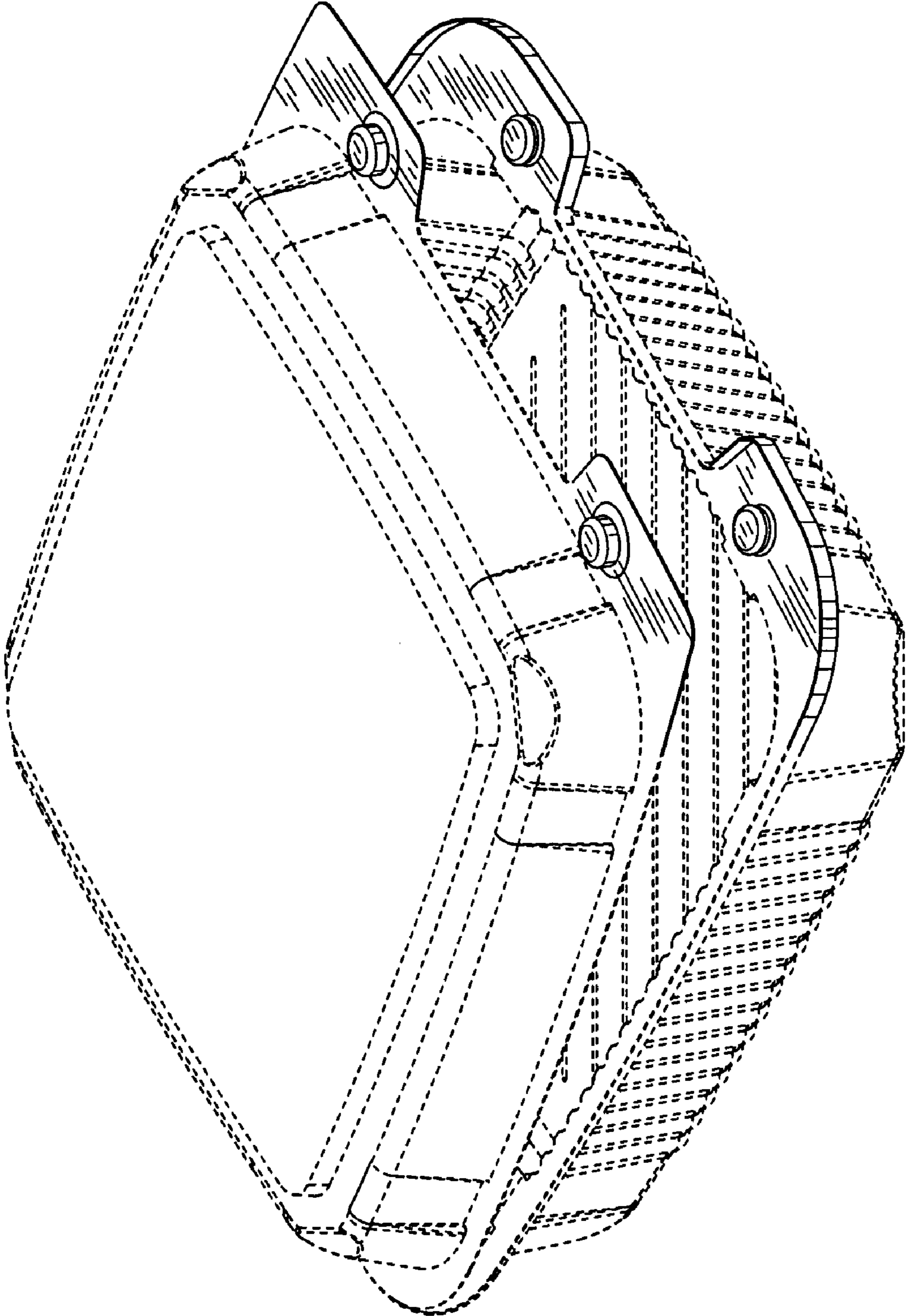


FIG. 1

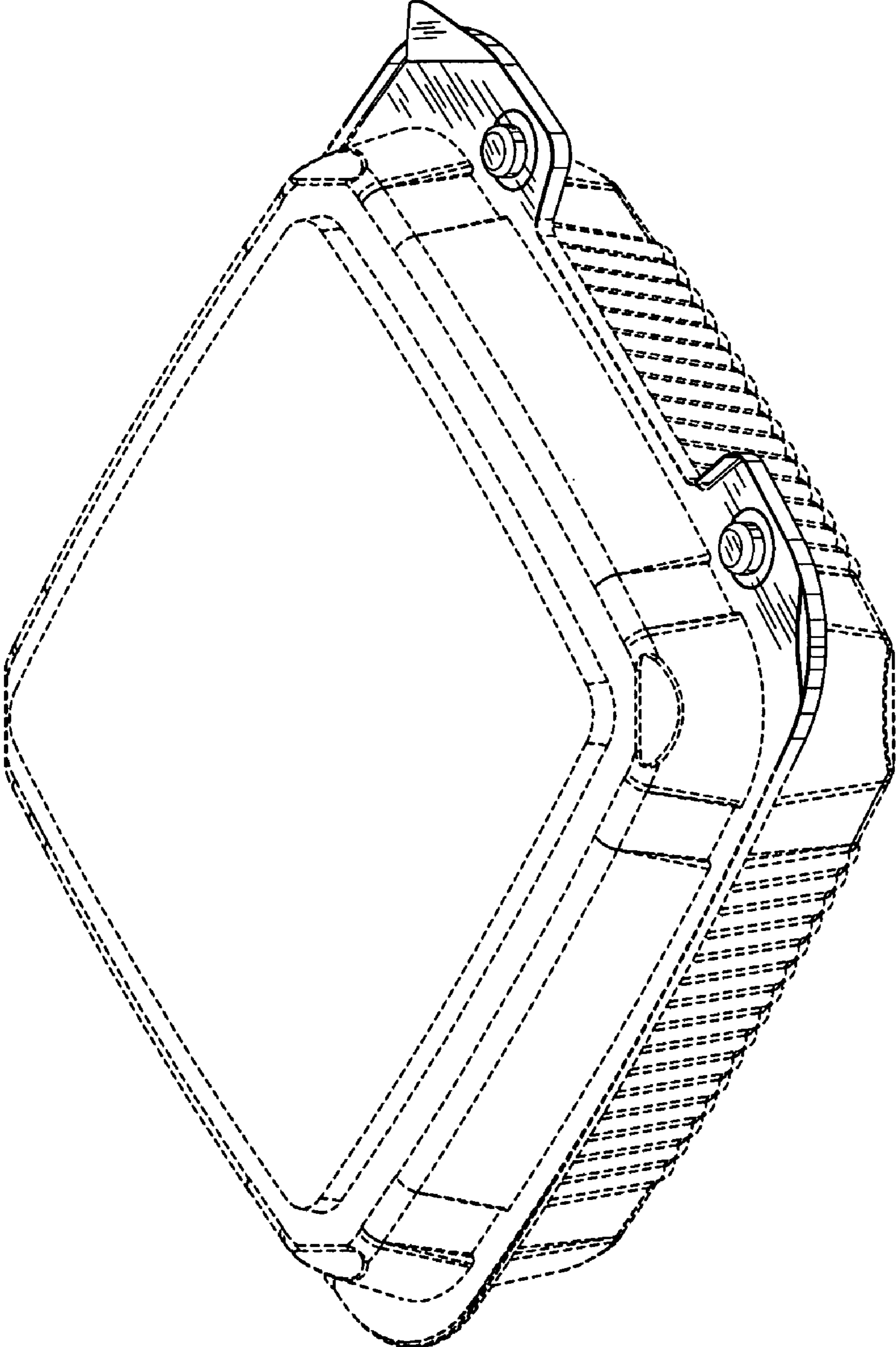


FIG. 2

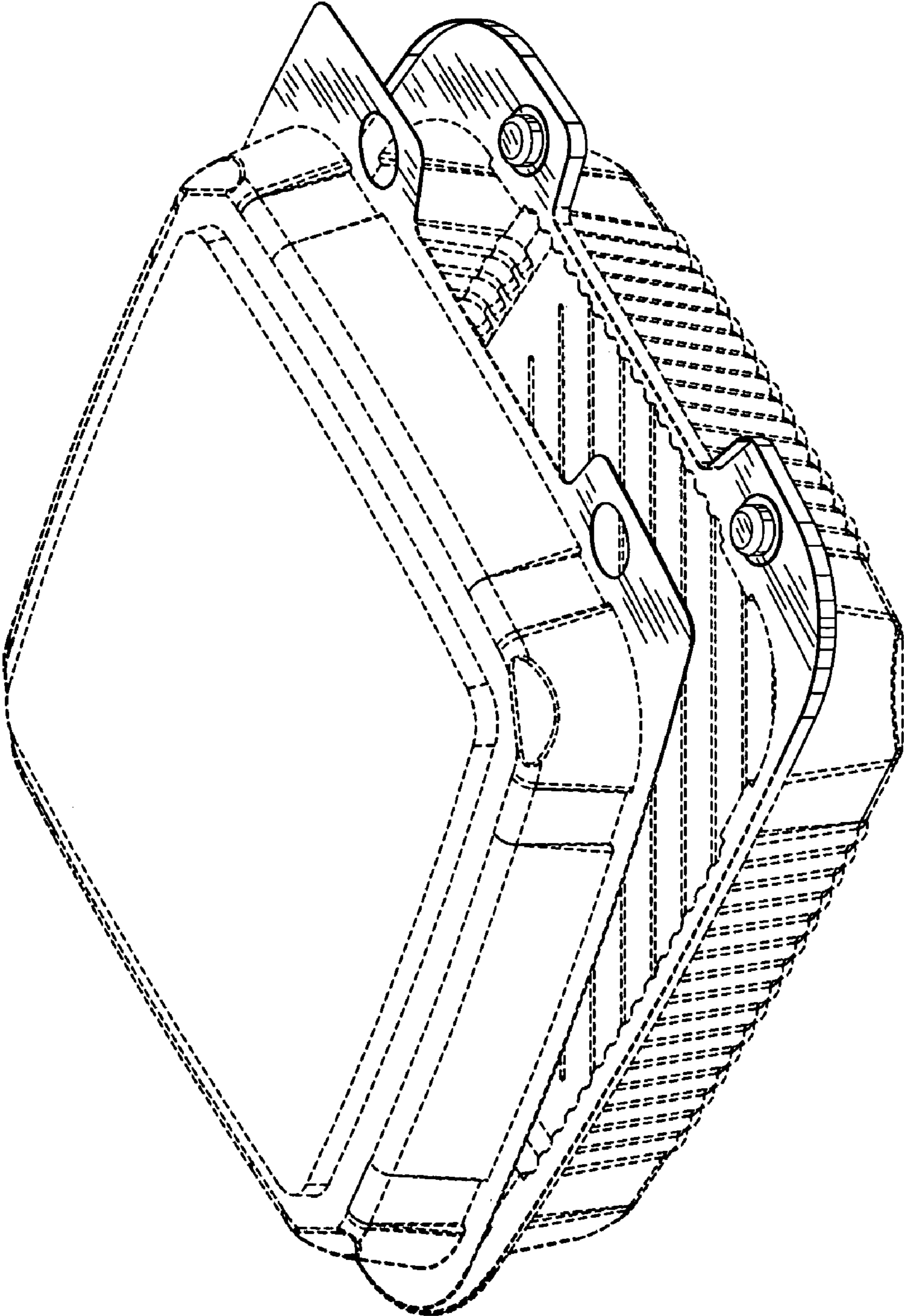


FIG. 3

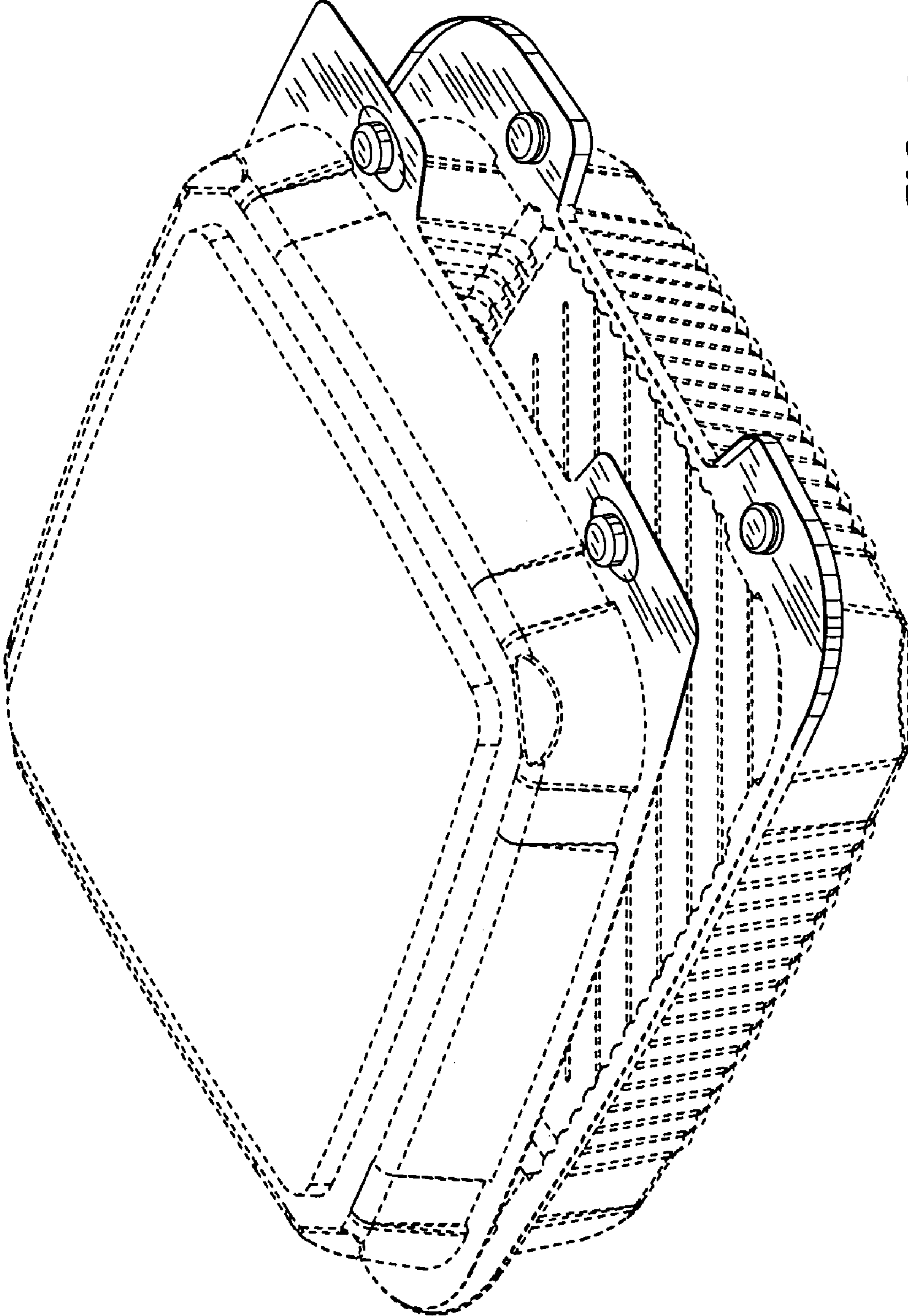


FIG. 4

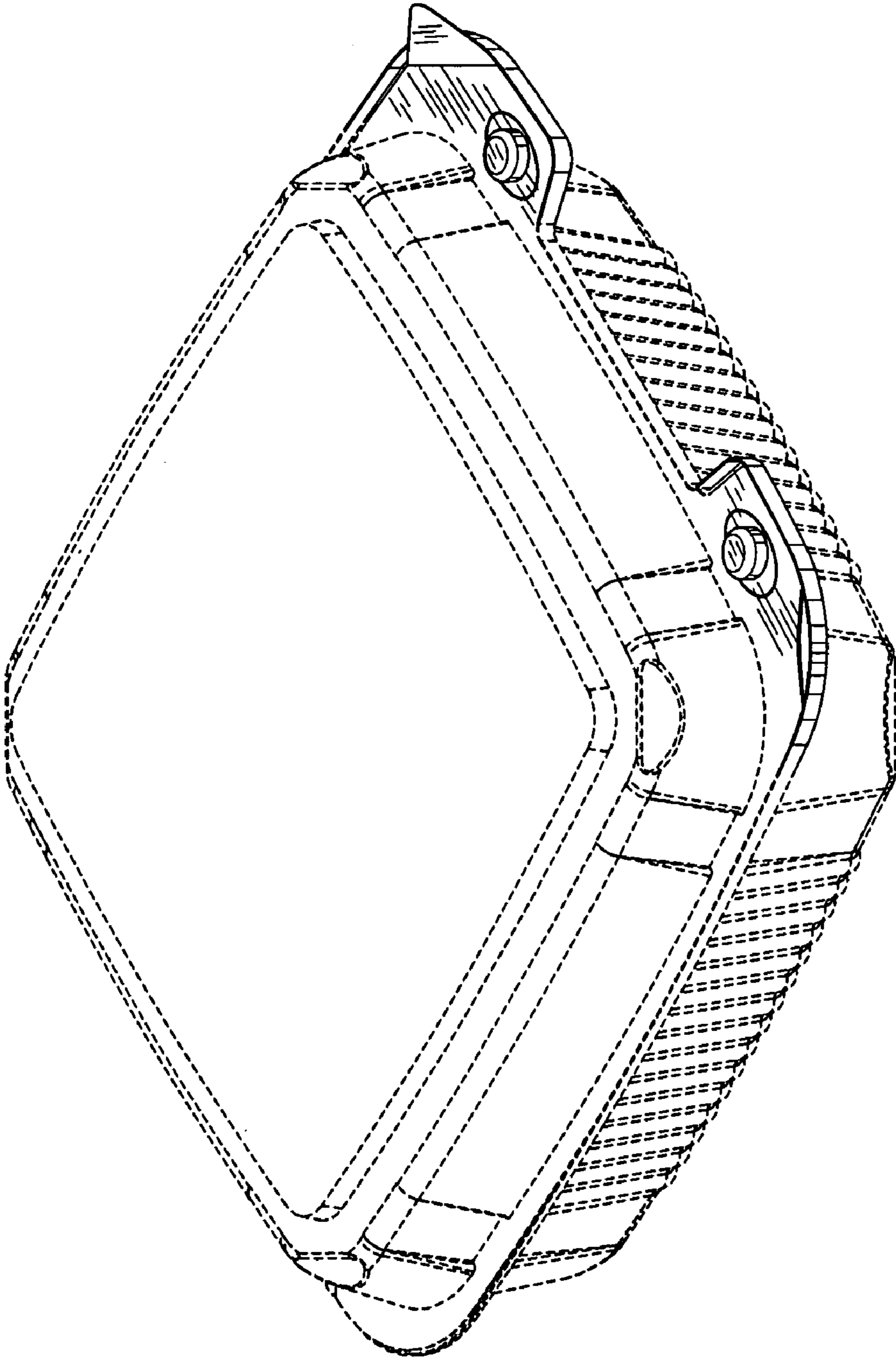


FIG. 5

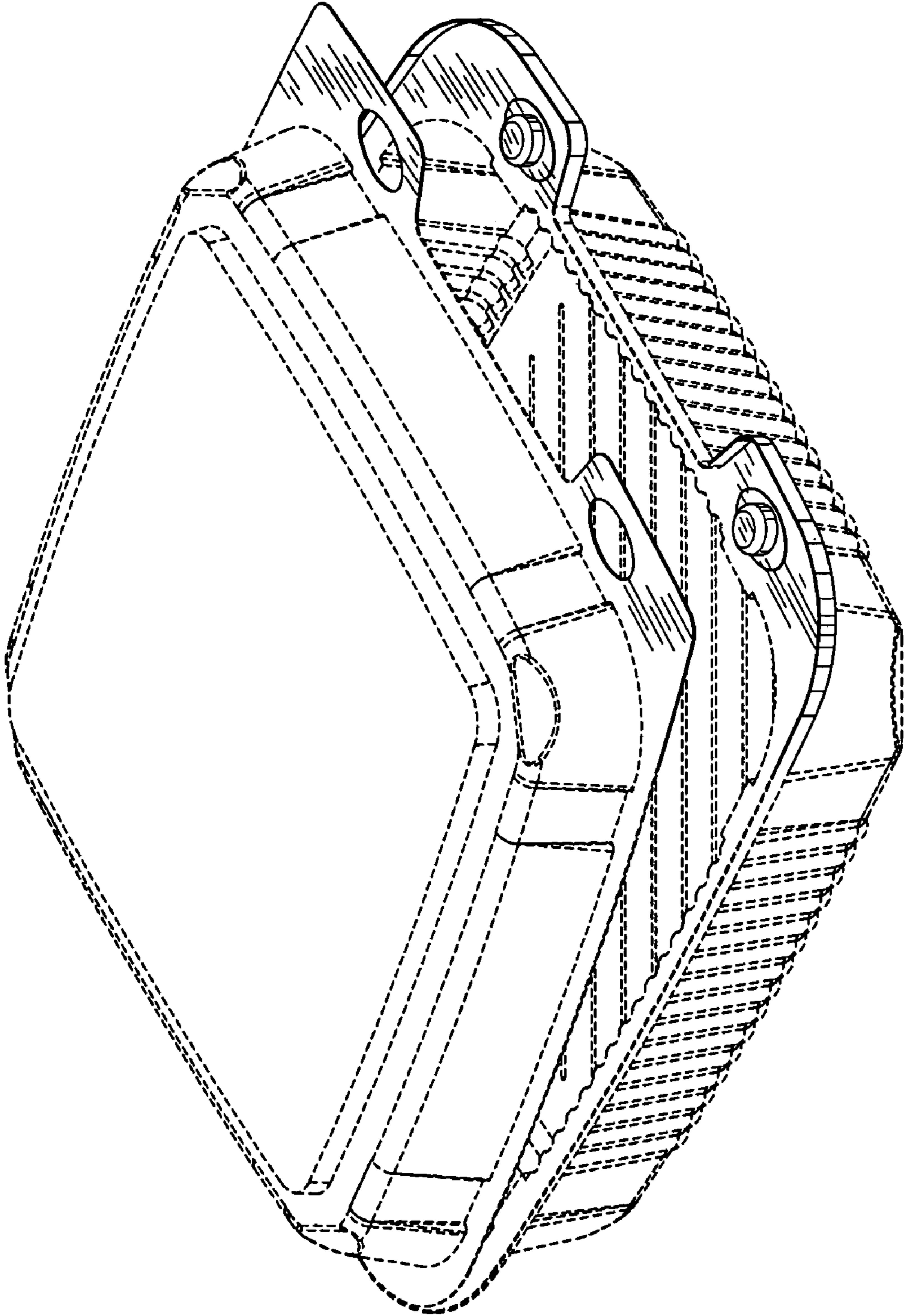


FIG. 6