



US00D602773S

(12) **United States Design Patent**
Lendzyk

(10) **Patent No.:** **US D602,773 S**

(45) **Date of Patent:** **** Oct. 27, 2009**

(54) **SLEEVE FOR A FROZEN CONFECTION**

(76) Inventor: **Charmaine G. Lendzyk**, 326 Fullerton Ave., Carver, MN (US) 55315

(**) Term: **14 Years**

(21) Appl. No.: **29/338,080**

(22) Filed: **Jun. 4, 2009**

D199,347 S *	10/1964	Kettell	D9/444
3,262,625 A *	7/1966	Russell et al.	229/403
3,559,798 A *	2/1971	Jacobsen	206/5
3,752,309 A *	8/1973	Hopkins et al.	206/306
3,819,033 A *	6/1974	Hueber	206/5
3,918,579 A *	11/1975	Diamant	206/306
4,181,765 A *	1/1980	Harmony	428/157
4,344,303 A *	8/1982	Kelly, Jr.	62/530
D276,119 S *	10/1984	Heweston	D7/607
D276,203 S *	11/1984	Heweston	D7/607
D276,204 S *	11/1984	Heweston	D7/607

Related U.S. Application Data

(63) Continuation-in-part of application No. 29/317,107, filed on Apr. 23, 2008.

(51) **LOC (9) Cl.** **09-01**

(52) **U.S. Cl.** **D9/434; D7/607; D7/624.2**

(58) **Field of Classification Search** D9/499, D9/454, 443, 435, 434, 444; D8/372, 371; D7/622, 396.2, 387, 624.1-624.3, 619.1, D7/607, 608, 624.2; D3/328, 316, 201, 202, D3/303; D17/24; D11/4; 446/74; 40/310, 40/665; 294/87.2, 31.2, 26, 170, 164, 159, 294/137; 248/95; 224/148.4; 220/769, 759, 220/758, 755, 754, 752, 741, 737, 694, 212, 220/739, 738, 903; 215/396, 395, 386, 12.1; 428/157; 229/89, 87.01, 403; 222/183; 138/146; 2/170, 270; 206/306, 37, 5; 383/118, 41, 383/43; 493/288; 62/530; D14/250; D34/39
See application file for complete search history.

(56) **References Cited**

U.S. PATENT DOCUMENTS

177,415 A *	5/1876	Miser	206/5
1,471,729 A *	10/1923	Guinzburg	383/43
1,507,949 A *	9/1924	Angier	493/288
1,842,599 A *	1/1932	Fraser	206/5
2,004,415 A *	6/1935	Nerney	206/5
2,035,384 A *	3/1936	Hinchliff	66/170
2,498,202 A *	2/1950	Dingman	206/5
2,507,626 A *	5/1950	Ekstrand	493/288
2,643,389 A *	6/1953	Wegner	2/170
2,650,700 A *	9/1953	Wolf	206/5
2,778,027 A *	1/1957	Bacon	2/270

(Continued)

Primary Examiner—Susan Bennett Hattan

(74) *Attorney, Agent, or Firm*—Patterson, Thunte, Skaar & Christensen, P.A.

(57) **CLAIM**

I claim the ornamental design for a sleeve for a frozen confection, as shown and described.

DESCRIPTION

FIG. 1 is a front elevational view of a sleeve for a frozen confection according to an embodiment of the present invention.

FIG. 2 is a front perspective view of the sleeve for a frozen confection of FIG. 1.

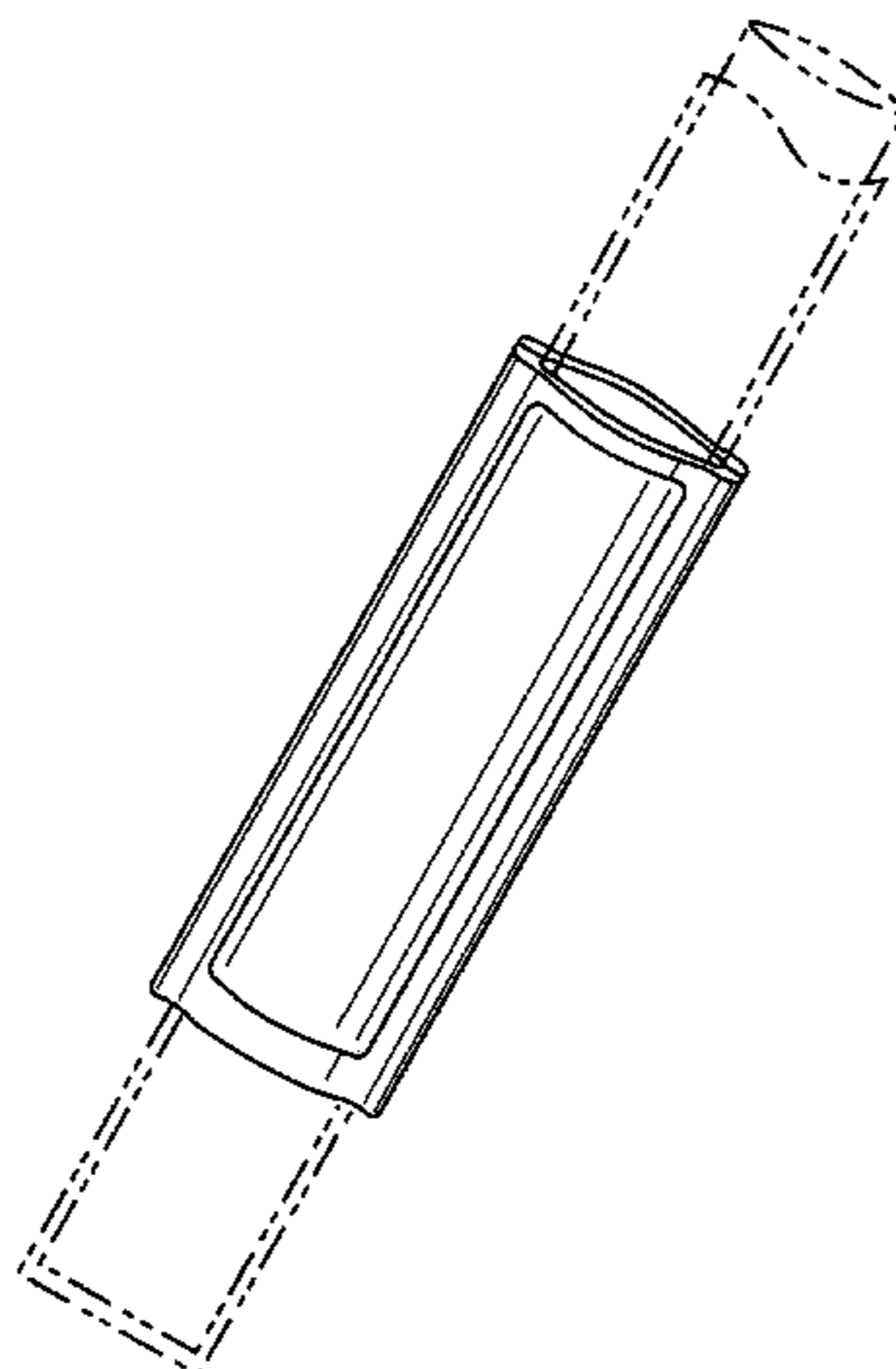
FIG. 3 is a second front elevational view of the sleeve for a frozen confection of FIG. 1, the view from the rear being a mirror image thereof.

FIG. 4 is a top plan view of the sleeve for a frozen confection of FIG. 1, the view from the bottom being a mirror image thereof; and,

FIG. 5 is left side view of the sleeve for a frozen confection of FIG. 1, the view from the right side being a mirror image thereof.

The broken lines represent environmental elements only and form no part of the claimed design.

1 Claim, 4 Drawing Sheets



US D602,773 S

Page 2

U.S. PATENT DOCUMENTS

D276,205	S *	11/1984	Heweston	D7/607
4,526,280	A *	7/1985	Taylor	215/395
D286,606	S *	11/1986	Curtis et al.	D7/624.2
D298,013	S *	10/1988	Gibbons	D9/444
4,863,013	A *	9/1989	Eastman	206/5
5,067,922	A *	11/1991	McMahon	446/71
5,222,656	A *	6/1993	Carlson	229/403
D345,897	S *	4/1994	Vitez	D7/608
5,310,048	A *	5/1994	Stechler	206/5
D370,600	S *	6/1996	Downes	D7/607
5,971,612	A *	10/1999	McAuslan	383/43
D420,363	S *	2/2000	Arrington	D14/250
6,041,952	A *	3/2000	Martin	215/12.1
D423,299	S *	4/2000	Burrus	D7/607
D427,410	S *	6/2000	Haberkorn	D34/39
D429,447	S *	8/2000	Prag	D7/607
D446,423	S *	8/2001	Terra	D7/607
D454,034	S *	3/2002	McLaughlin	D7/607
6,634,390	B2 *	10/2003	Toth	138/146
D515,365	S *	2/2006	Cooper	D7/624.2
D533,347	S *	12/2006	Andre et al.	D3/303
D533,348	S *	12/2006	Andre et al.	D3/303
D541,596	S *	5/2007	Hicks	D7/624.2
D543,790	S *	6/2007	Szymanski	D7/607
D547,653	S *	7/2007	Wong	D9/444
D584,147	S *	1/2009	Lown et al.	D9/444
D587,113	S *	2/2009	Sharon	D9/444
D589,757	S *	4/2009	Mancha et al.	D7/624.2
D589,758	S *	4/2009	Mancha et al.	D7/624.2
D590,211	S *	4/2009	Mancha et al.	D7/624.2
D590,212	S *	4/2009	Mancha et al.	D7/624.2
D591,563	S *	5/2009	Johnson	D7/624.2
D594,686	S *	6/2009	Bodum	D6/610
D594,707	S *	6/2009	Silverstein et al.	D7/624.2
D594,708	S *	6/2009	Silverstein et al.	D7/624.2
D595,994	S *	7/2009	Albritton	D7/607
D596,465	S *	7/2009	Faulkner et al.	D7/607
2007/0009187	A1 *	1/2007	Adamo et al.	383/41

* cited by examiner

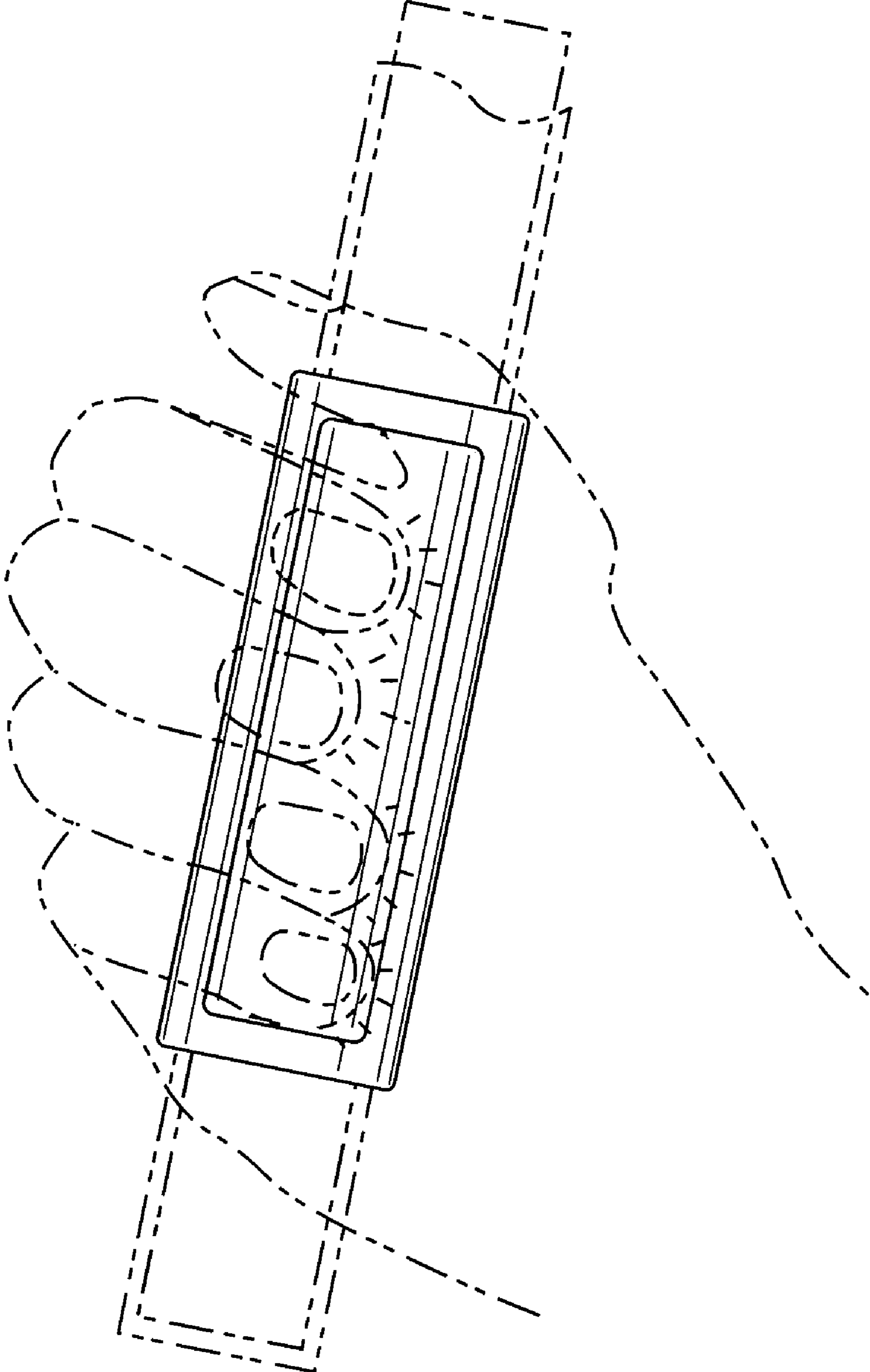


FIG. 1

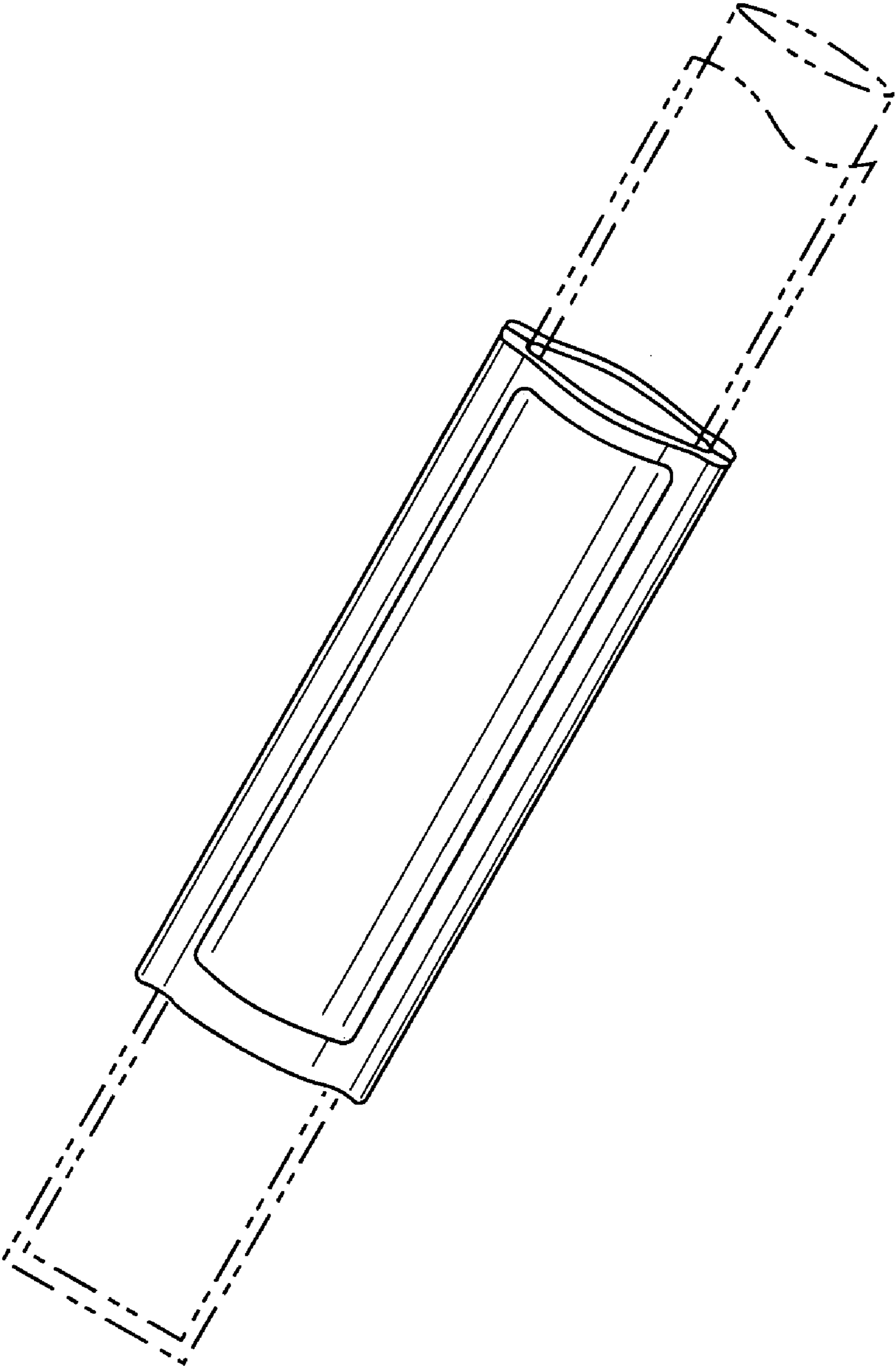


FIG. 2

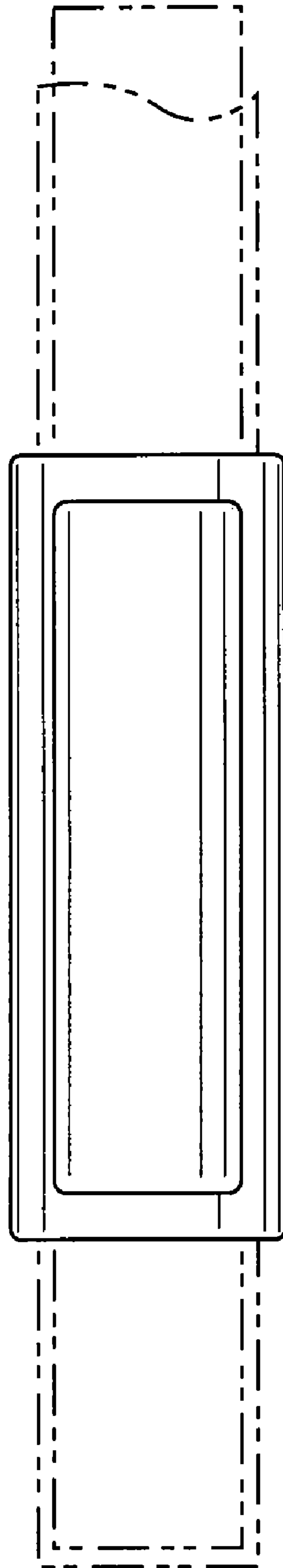


FIG. 3



FIG. 4

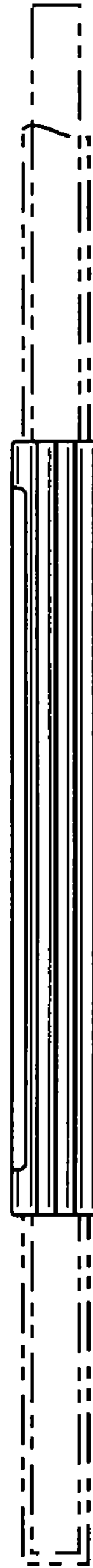


FIG. 5