



US00D602770S

(12) **United States Design Patent**
Fernandez

(10) **Patent No.:** **US D602,770 S**
(45) **Date of Patent:** **** Oct. 27, 2009**

(54) **END CAP**

(75) Inventor: **Julio A. Fernandez**, Doonnellon, FL
(US)

(73) Assignee: **Clairson, Inc.**, Newark, DE (US)

(**) Term: **14 Years**

(21) Appl. No.: **29/298,393**

(22) Filed: **Dec. 4, 2007**

(51) **LOC (9) Cl.** **08-05**

(52) **U.S. Cl.** **D8/376**

(58) **Field of Classification Search** D8/376-377,
D8/382, 395; 411/508-510; 160/330
See application file for complete search history.

(56) **References Cited**

U.S. PATENT DOCUMENTS

D5,634 S	3/1872	Wunder	
D78,426 S	4/1929	Whincap	
1,793,036 A	2/1931	Whitney	
D108,811 S	3/1938	Snyder	
2,266,274 A	12/1941	Schroeder	
2,441,721 A	5/1948	Schroeder	
2,767,951 A	10/1956	Cousino	
3,476,008 A *	11/1969	Ford et al.	411/508
3,499,541 A	3/1970	Mackie	
3,563,182 A	2/1971	MacFarlane et al.	
3,621,751 A *	11/1971	Fiorentino	411/508
3,640,389 A	2/1972	Snyder	
D227,742 S	7/1973	Logsdon	
3,756,115 A *	9/1973	Schuplin	411/508
3,760,744 A	9/1973	Cruckshank	
D228,852 S	10/1973	Vogelhuber et al.	
3,978,799 A	9/1976	Escalette	
3,998,170 A	12/1976	Gordon	
D244,668 S	6/1977	Tegner	
4,098,480 A	7/1978	Neumann	
4,155,312 A	5/1979	Thorkildson	
4,209,111 A	6/1980	Lotspeich et al.	
D258,489 S	3/1981	Gipson	
4,523,722 A	6/1985	Cohen et al.	
D279,959 S	8/1985	Nimmo et al.	

4,533,056 A	8/1985	Krikorian	
4,548,327 A	10/1985	Kilkelly	
4,603,781 A	8/1986	Ryan, Jr.	
D288,528 S	3/1987	Parad	
4,646,998 A	3/1987	Pate	
4,671,419 A	6/1987	Beverly	
4,693,380 A	9/1987	Muth	
4,708,552 A	11/1987	Bustos et al.	
D293,416 S	12/1987	Krueger	
4,728,238 A *	3/1988	Chisholm et al.	411/510

(Continued)

FOREIGN PATENT DOCUMENTS

EP 0338872 A1 10/1989

(Continued)

OTHER PUBLICATIONS

U.S. Appl. No. 11/014,663, Remmers, Dec. 16, 2004.

(Continued)

Primary Examiner—Holly H Baynham
(74) *Attorney, Agent, or Firm*—Harness, Dickey & Pierce,
P.L.C.

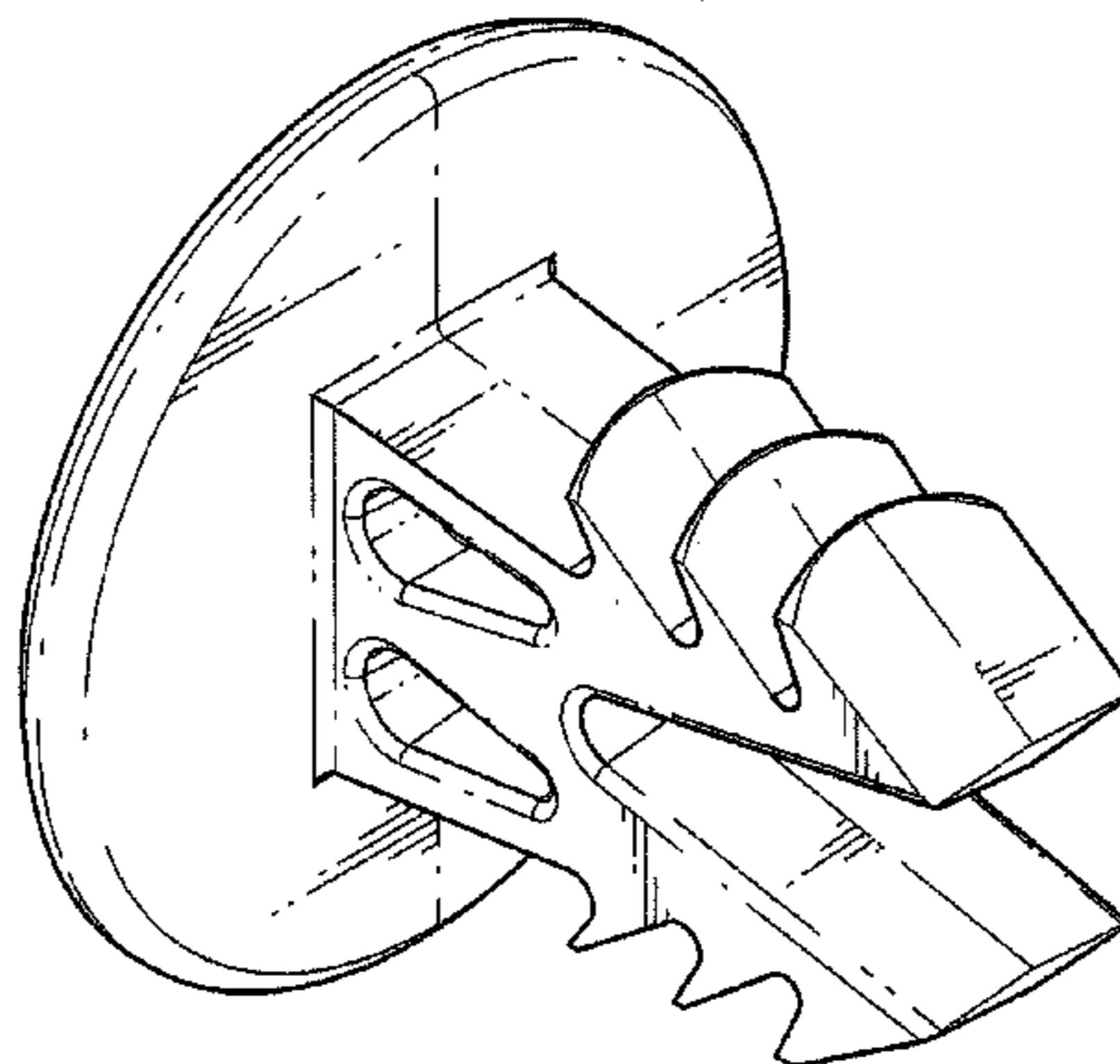
(57) **CLAIM**

The ornamental design for an end cap, as shown and described.

DESCRIPTION

FIG. 1 is a front perspective view of an end cap, showing my design;
FIG. 2 is a back perspective view thereof;
FIG. 3 is a left side view thereof;
FIG. 4 is a right side view thereof;
FIG. 5 is a top view thereof;
FIG. 6 is a bottom view thereof;
FIG. 7 is an end view thereof; and,
FIG. 8 is an opposite end view thereof.

1 Claim, 8 Drawing Sheets



US D602,770 S

U.S. PATENT DOCUMENTS					
			6,915,913 B2	7/2005	Cardinell
4,732,284 A	3/1988	Remmers	6,953,176 B2	10/2005	Remmers
D295,182 S	4/1988	Remmers	D513,970 S	1/2006	Sterling et al.
4,735,325 A	4/1988	Remmers	7,004,335 B2	2/2006	Remmers
D295,472 S	5/1988	Remmers	7,021,730 B2	4/2006	Remmers
4,781,349 A	11/1988	Remmers	D522,848 S	6/2006	Nawrocki
4,783,035 A	11/1988	Remmers	D522,852 S	6/2006	Nawrocki
D298,801 S *	12/1988	Satoh D8/382	D525,115 S *	7/2006	Harwanko D8/376
D299,212 S	1/1989	Murphy	D525,811 S	8/2006	Nawrocki
D299,436 S	1/1989	Muth	D526,519 S	8/2006	Nawrocki
4,795,041 A	1/1989	Remmers	D526,887 S	8/2006	Remmers et al.
4,804,159 A	2/1989	Martel	7,086,543 B2	8/2006	Remmers
4,838,451 A	6/1989	Arkell et al.	7,090,317 B2	8/2006	Remmers
D305,272 S	12/1989	Remmers	D527,559 S	9/2006	Remmers
D311,860 S	11/1990	Remmers	D527,935 S	9/2006	Remmers
D312,389 S	11/1990	Remmers	D531,019 S	10/2006	Plumer
5,074,223 A	12/1991	Remmers	D531,891 S	11/2006	Nawrocki
D323,452 S	1/1992	Stumpf et al.	7,174,605 B1	2/2007	Nawrocki
D323,715 S	2/1992	Bodurov et al.	7,185,772 B2	3/2007	Remmers
5,086,936 A	2/1992	Remmers	7,188,740 B2	3/2007	Marchetta et al.
D326,605 S *	6/1992	Nakanura D8/382	D543,094 S	5/2007	Remmers
5,119,945 A	6/1992	Wiggins	7,225,237 B1	5/2007	Tenereillo
D334,497 S	4/1993	Putty	D544,260 S	6/2007	Nawrocki
D336,605 S	6/1993	Lemmerman et al.	D544,261 S	6/2007	Nawrocki
D340,639 S	10/1993	Remmers	D547,163 S	7/2007	Xayoiphonh
D342,015 S	12/1993	Andrejew	D547,164 S	7/2007	Xayoiphonh
D348,826 S	7/1994	McCaffrey	D547,640 S	7/2007	Remmers
5,326,062 A	7/1994	Remmers	7,240,803 B2	7/2007	Stitchick et al.
5,330,063 A	7/1994	Remmers	D550,540 S	9/2007	Nawrocki
5,351,842 A	10/1994	Remmers	D551,062 S	9/2007	Nawrocki
D353,500 S	12/1994	Remmers	D551,884 S	10/2007	Remmers
5,407,084 A	4/1995	Remmers	D553,485 S	10/2007	Hall
5,492,295 A	2/1996	Remmers	7,296,697 B2	11/2007	Costa et al.
D369,293 S	4/1996	Gusdorf et al.	D559,090 S	1/2008	Nawrocki
5,531,416 A	7/1996	Remmers	7,314,144 B2	1/2008	Stitchick et al.
5,533,851 A	7/1996	Remmers	D562,670 S	2/2008	Rogers et al.
D373,719 S	9/1996	Lin	7,458,548 B2	12/2008	Franzone et al.
5,580,018 A	12/1996	Remmers	2002/0166934 A1	11/2002	Marsh
5,584,405 A	12/1996	Tunzi	2005/0109720 A1	5/2005	Marchetta
D392,553 S	3/1998	Dill	2005/0145147 A1	7/2005	Costa et al.
5,738,477 A *	4/1998	McCorkle et al. 411/509	2005/0148942 A1	7/2005	Newby et al.
D394,203 S	5/1998	Nadar	2005/0247651 A1	11/2005	Craft
5,752,610 A	5/1998	Remmers	2006/0011568 A1	1/2006	Remmers et al.
5,755,414 A	5/1998	Remmers	2006/0113443 A1	6/2006	Remmers
D394,999 S	6/1998	Phillip	2006/0130983 A1 *	6/2006	Nien 160/330
5,758,851 A	6/1998	Remmers	2006/0175495 A1	8/2006	Gregory
D402,536 S	12/1998	Cousins	2007/0023374 A1	2/2007	Nawrocki
D403,234 S	12/1998	Nagato	2007/0068887 A1	3/2007	Nawrocki
D408,175 S	4/1999	Daniels et al.	2007/0101545 A1	5/2007	Nawrocki
D409,866 S	5/1999	West	2007/0102604 A1	5/2007	Nawrocki
D411,738 S	6/1999	Raasch et al.	2007/0108146 A1	5/2007	Nawrocki
5,909,936 A	6/1999	Daniels et al.	2007/0108148 A1	5/2007	Stitchick et al.
5,921,412 A	7/1999	Merl	2007/0114197 A1	5/2007	Remmers
6,053,465 A	4/2000	Kluge	2007/0114348 A1	5/2007	Nawrocki
D423,917 S	5/2000	Remmers et al.	2007/0119805 A1	5/2007	Nawrocki
D427,466 S	7/2000	Remmers	2007/0137417 A1	6/2007	Nawrocki et al.
D437,515 S	2/2001	Remmers et al.	2007/0159040 A1	7/2007	Fernandez et al.
D443,456 S *	6/2001	Horsten D6/580	2007/0187561 A1	8/2007	Xayoiphonh
6,279,467 B1	8/2001	Tiemann	2007/0205172 A1	9/2007	Stitchick et al.
6,402,108 B1	6/2002	Remmers	2008/0047098 A1	2/2008	Nawrocki
6,457,594 B1	10/2002	Tiemann			
6,467,860 B2	10/2002	Remmers			
6,494,653 B2	12/2002	Remmers			
D470,398 S	2/2003	Remmers			
D477,144 S	7/2003	Remmers			
6,626,509 B2	9/2003	Remmers			
6,669,154 B1	12/2003	Remmers			
D484,779 S *	1/2004	Shibuya D8/382			
D485,109 S	1/2004	Oberhaus			
D490,690 S	6/2004	Brass et al.			
6,840,593 B2	1/2005	Remmers			
D506,385 S	6/2005	Brown			

FOREIGN PATENT DOCUMENTS

FR	2717994	A1	10/1995
GB	2153205	A	8/1985
GB	2180141	A	3/1987
GB	2229625	A	10/1990
JP	10002663		1/1998
WO	WO 2004/056236		7/2004

OTHER PUBLICATIONS

U.S. Appl. No. 11/933,694, Nawrocki, Nov. 1, 2007.
U.S. Appl. No. 29/252,059, Nawrocki, Jan. 18, 2006.
U.S. Appl. No. 11/014,663, filed Dec. 16, 2004 (Remmers).

* cited by examiner

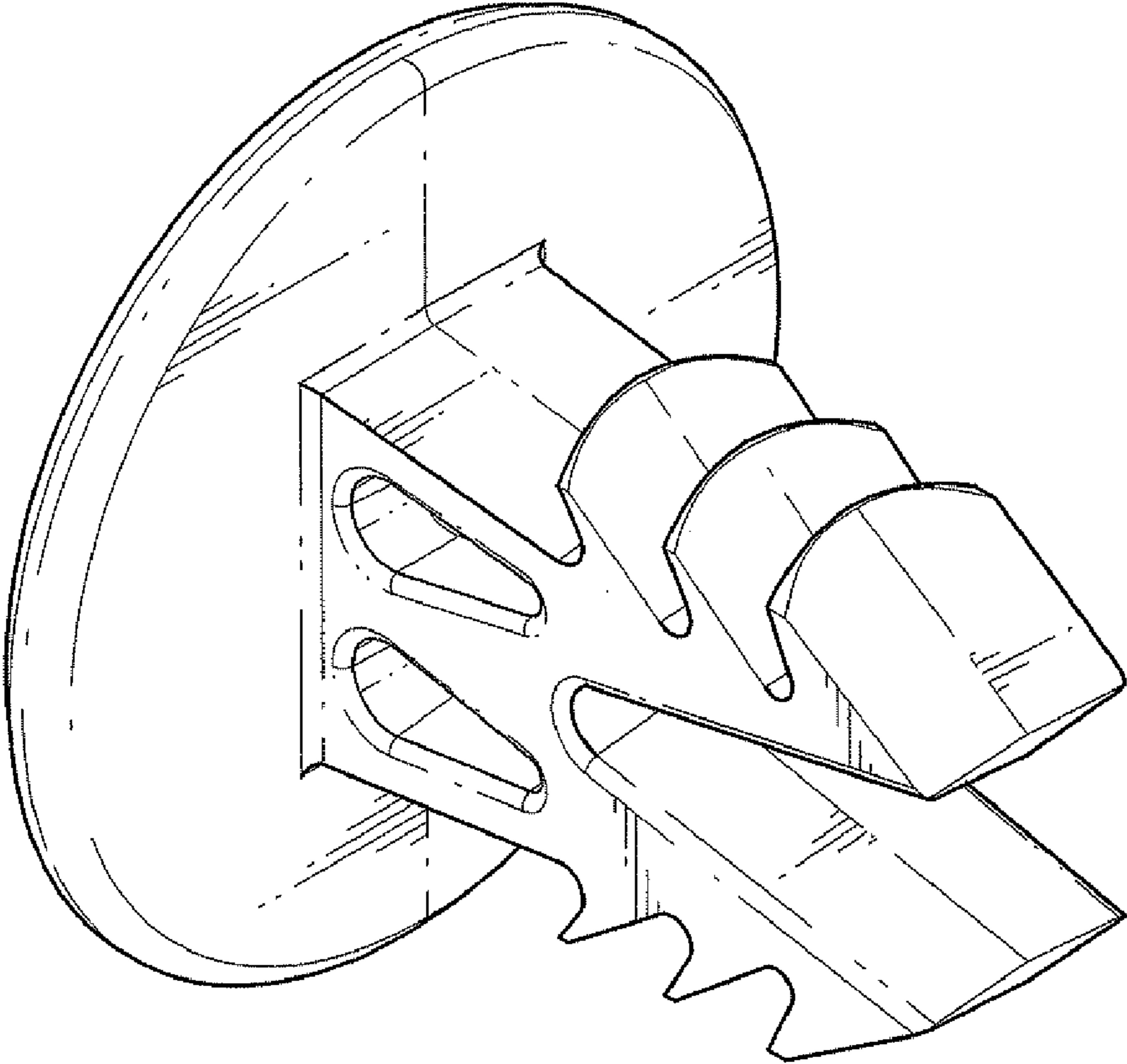


FIG. 1

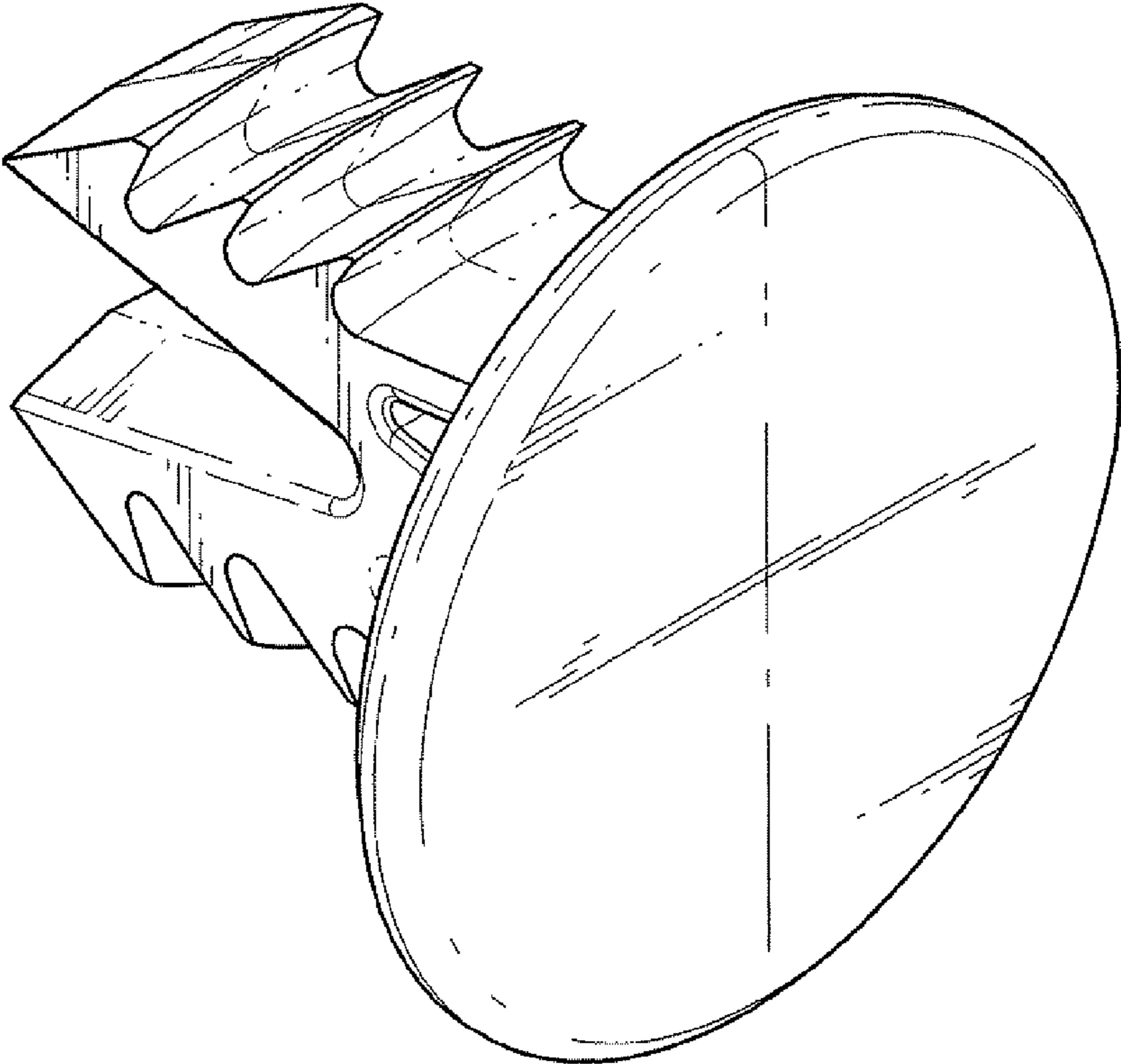


FIG. 2

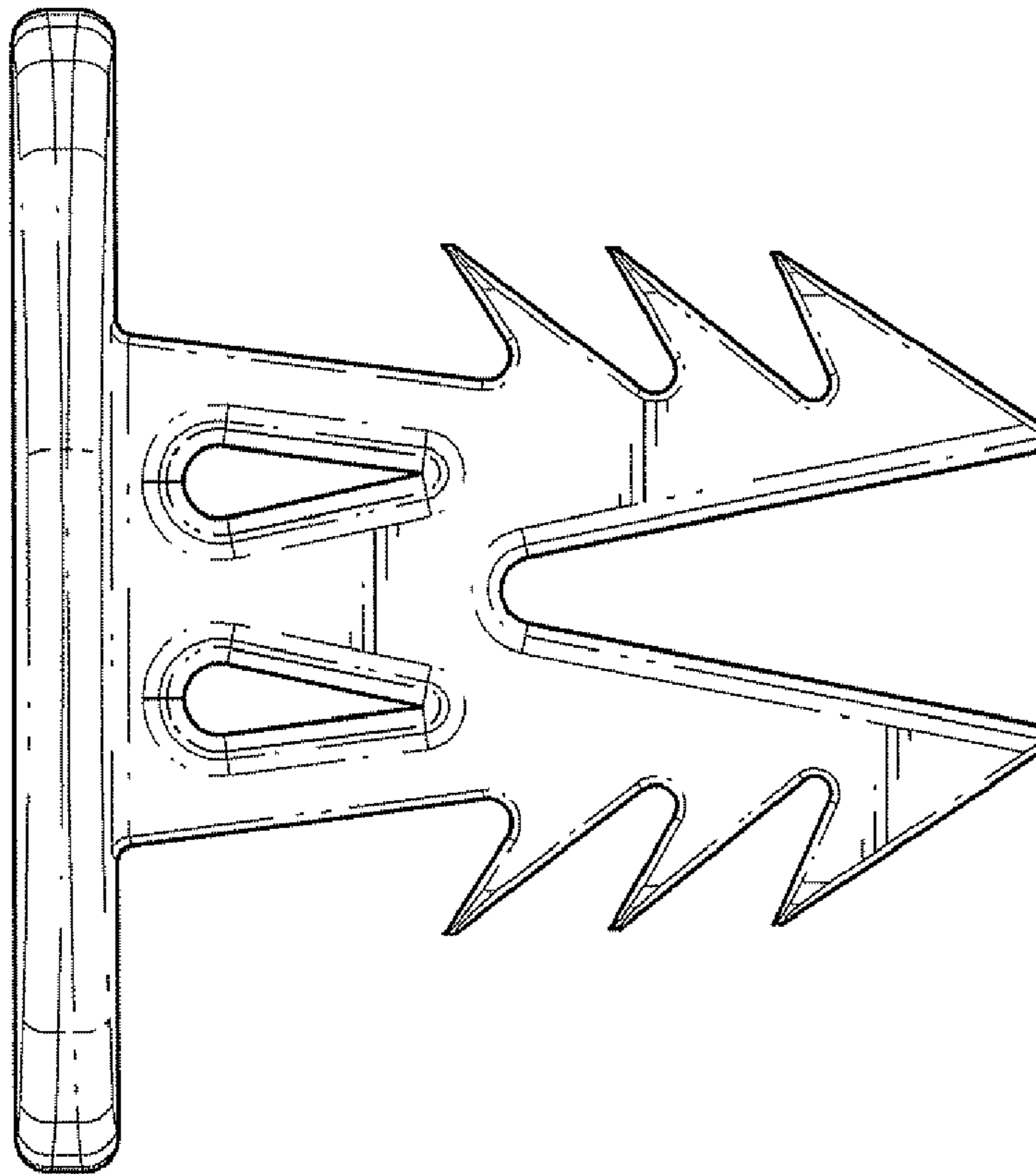


FIG. 3

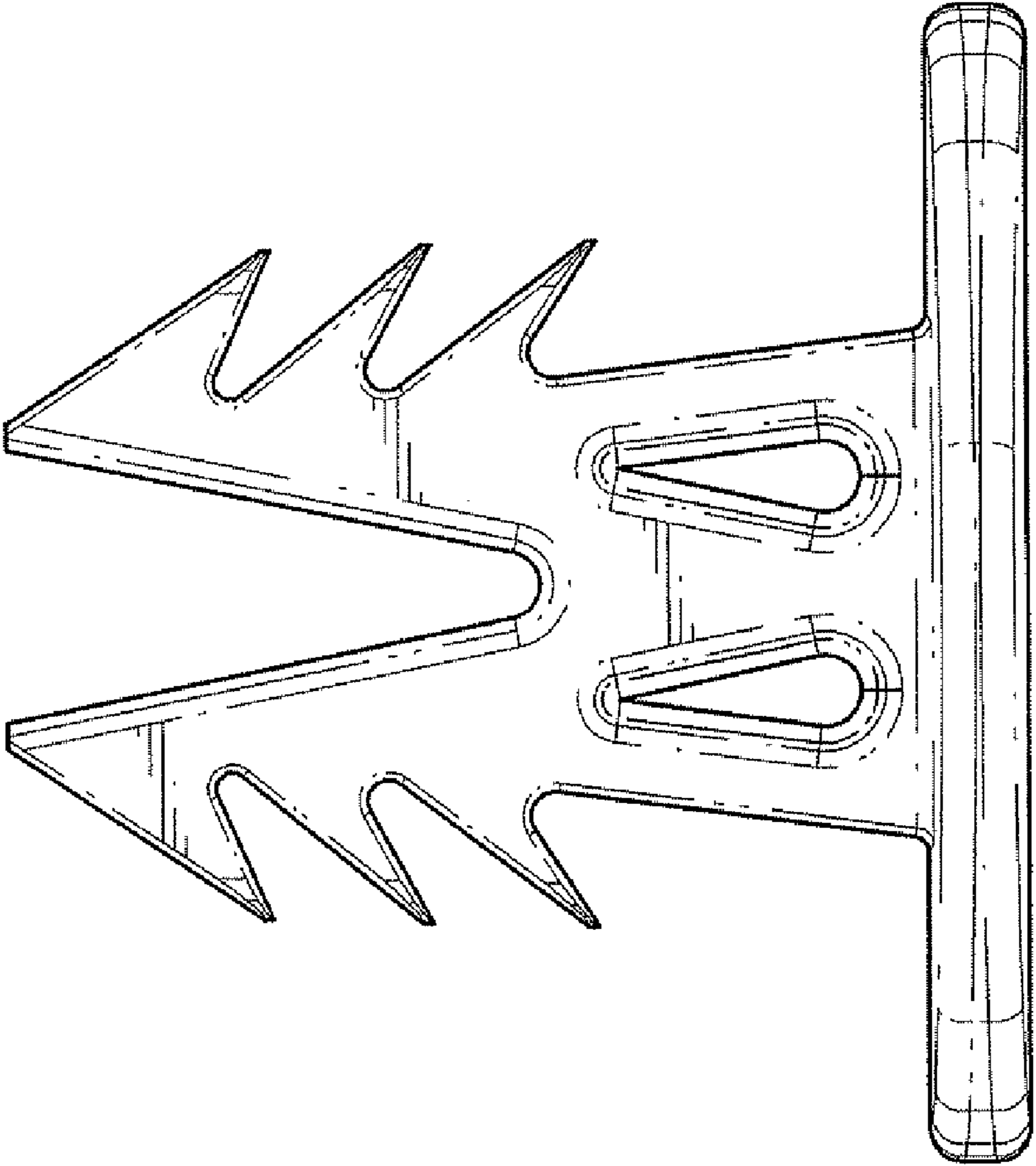


FIG. 4

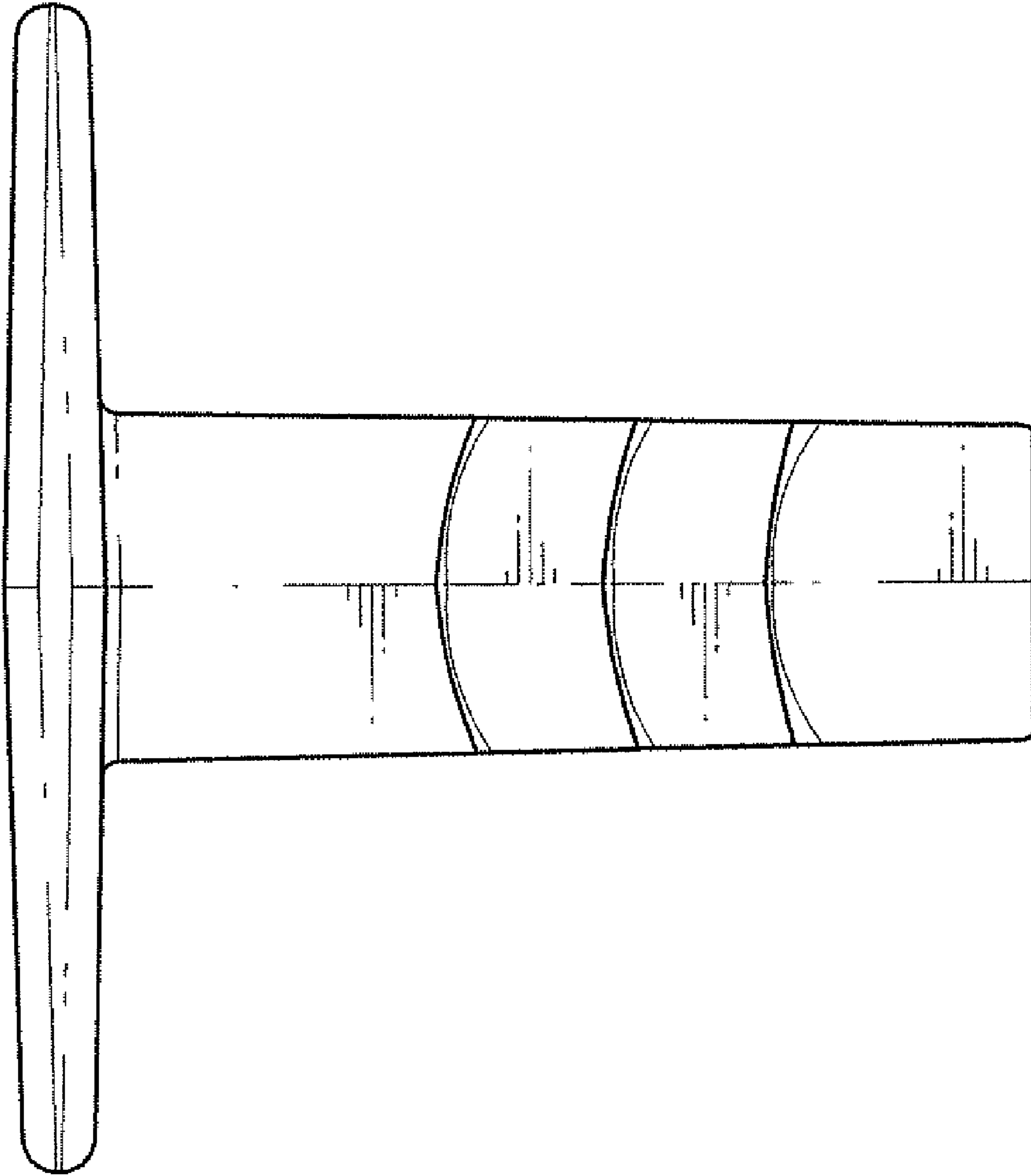


FIG. 5

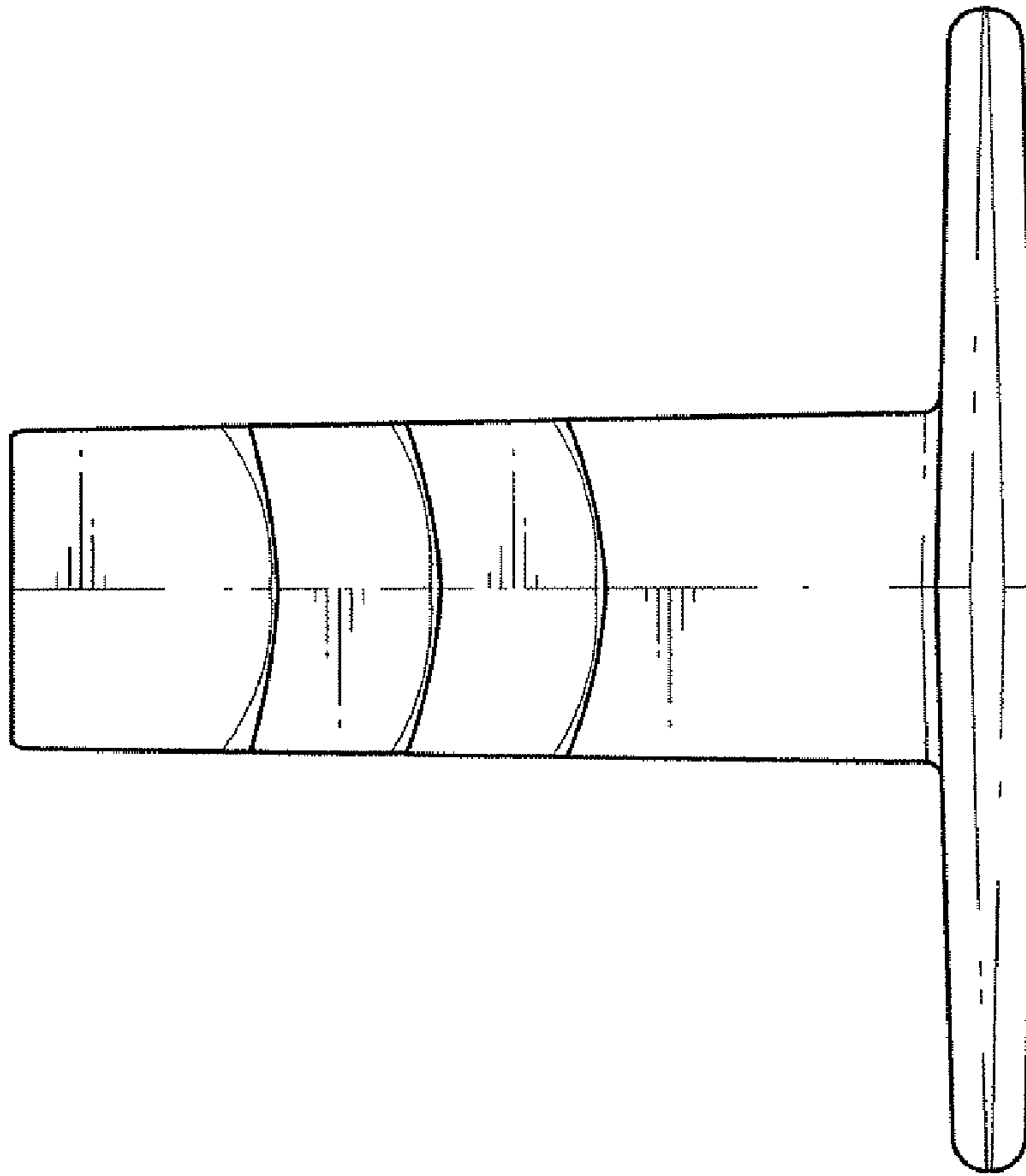


FIG. 6

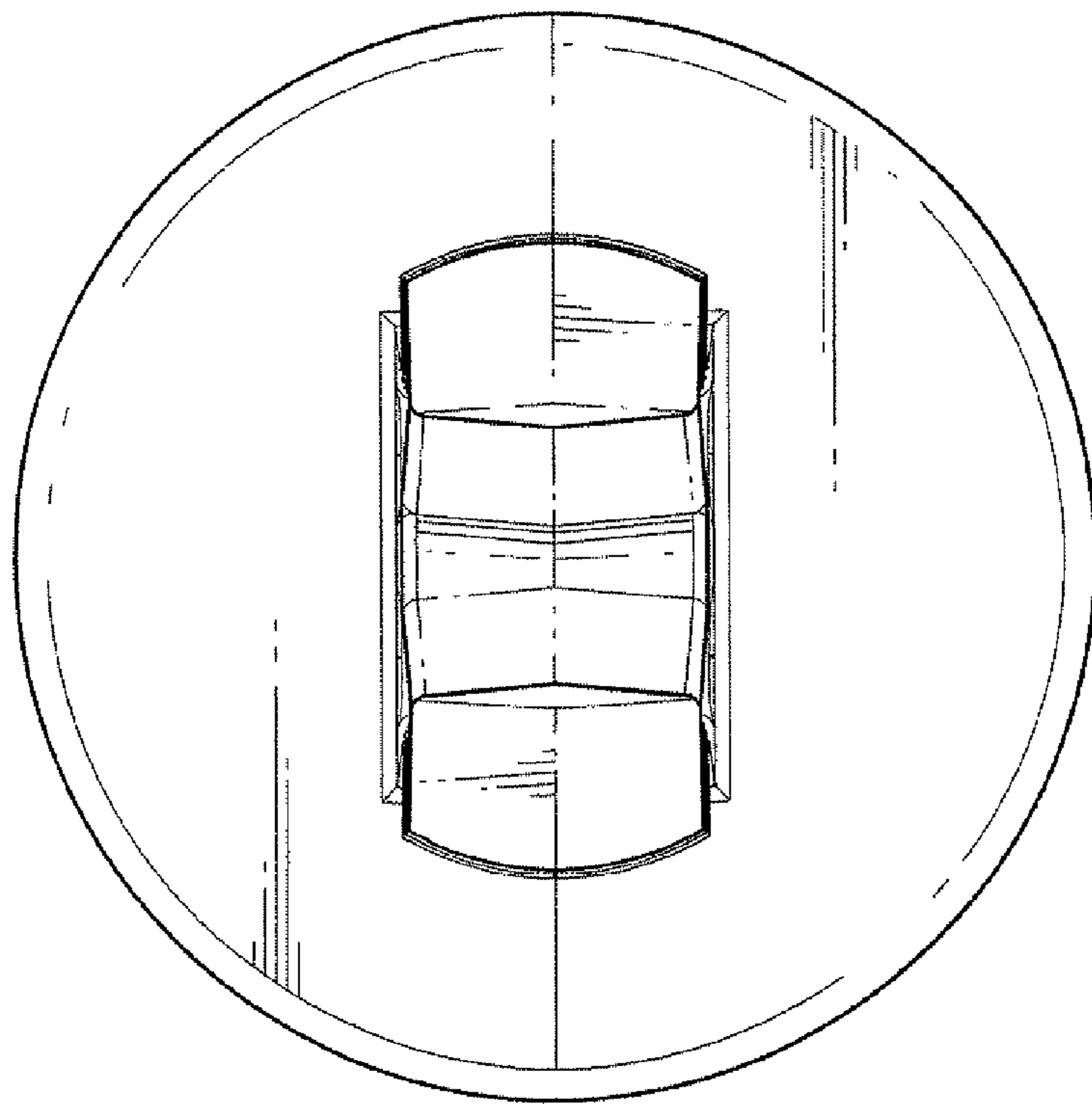


FIG. 7

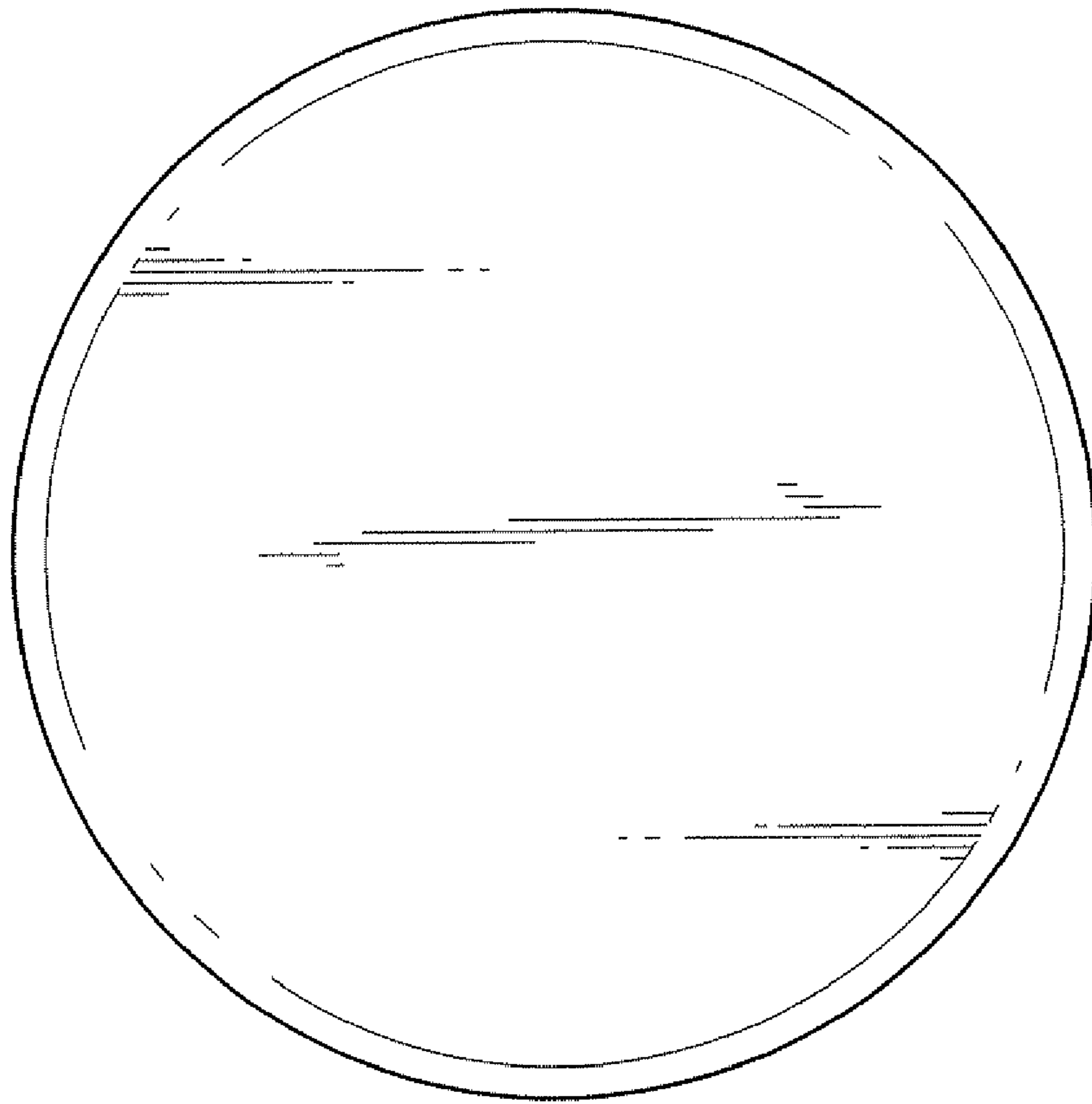


FIG. 8