



US00D602769S

(12) **United States Design Patent**
Frame

(10) **Patent No.:** **US D602,769 S**

(45) **Date of Patent:** **** Oct. 27, 2009**

(54) **CASTER**

(75) Inventor: **William F. Frame**, Hockessin, DE (US)

(73) Assignee: **Jacob Holtz Company**, Lester, PA (US)

(**) Term: **14 Years**

(21) Appl. No.: **29/336,364**

(22) Filed: **May 1, 2009**

4,455,707 A	6/1984	Screen
4,646,371 A	3/1987	Nowell
4,735,459 A	4/1988	Massonnet
5,018,306 A	5/1991	Prevot
5,119,525 A	6/1992	Melara
5,537,715 A	7/1996	Yang
5,568,671 A	10/1996	Harris et al.
5,598,605 A	2/1997	Tomaslak
6,092,262 A	7/2000	Lin
6,419,319 B1	7/2002	Sakurai

(Continued)

Related U.S. Application Data

(63) Continuation-in-part of application No. 29/317,692, filed on May 5, 2008, now Pat. No. Des. 592,490, which is a continuation-in-part of application No. 12/115,132, filed on May 5, 2008, now Pat. No. 7,546,662.

(51) **LOC (9) Cl.** **08-05**

(52) **U.S. Cl.** **D8/375**

(58) **Field of Classification Search** D8/375;
D34/27; D3/318; D12/501, 209, 208, 207;
16/47, 46, 45, 35 R, 35 D, 31 R, 29, 22, 18 R,
16/18 CG

See application file for complete search history.

(56) **References Cited**

U.S. PATENT DOCUMENTS

19,369 A	2/1858	Kinzer
127,862 A	6/1872	Gory
277,954 A	5/1883	Stengel
292,797 A	2/1884	Eberle
409,495 A	8/1889	Pederson
978,161 A	12/1910	Holmes
1,892,845 A	1/1933	McGrath
1,900,672 A	3/1933	Uhl
2,170,257 A	8/1939	Anderson
2,713,179 A	7/1955	Clifton
3,060,488 A	10/1962	Skupas et al.
D220,938 S	6/1971	Harlang
3,818,541 A	6/1974	Daniels
3,977,040 A	8/1976	Sugasawara
D245,313 S	8/1977	Koepke

FOREIGN PATENT DOCUMENTS

DE 2737649 2/1979

(Continued)

OTHER PUBLICATIONS

Polycarbonate Caster Is Stronger Than Spoked Steel Wheel, Costs Less; Modern Plastics, v. 42, Oct. 1964, p. 109.

(Continued)

Primary Examiner—Susan Bennett Hattan
(74) *Attorney, Agent, or Firm*—Rudoler & DeRosa LLC

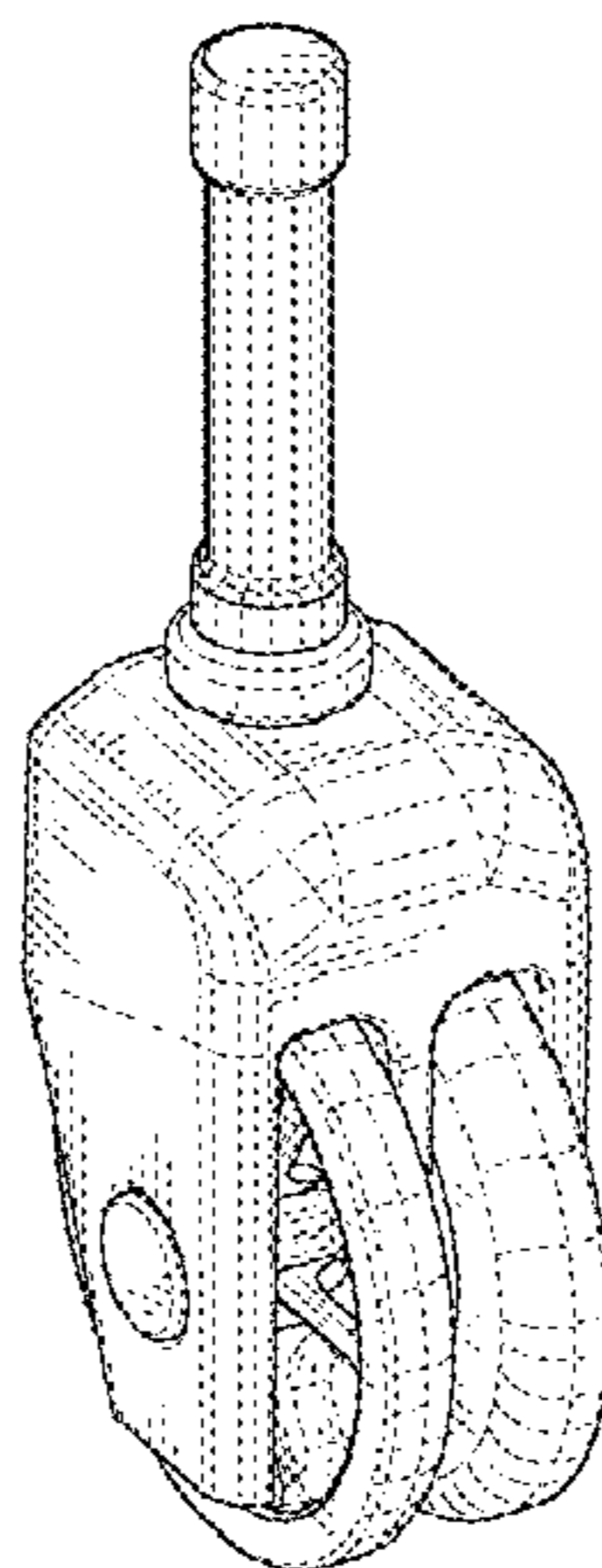
(57) **CLAIM**

The ornamental design for a caster, as shown and described.

DESCRIPTION

FIG. 1 is a perspective view of a caster in accordance with my new design;
FIG. 2 is a bottom perspective view thereof;
FIG. 3 is a right side elevational view thereof;
FIG. 4 is a left side elevational view thereof;
FIG. 5 is a front side elevational view thereof;
FIG. 6 is a rear side elevational view thereof;
FIG. 7 is a top plan view thereof; and,
FIG. 8 is a bottom plan view thereof.

1 Claim, 4 Drawing Sheets



US D602,769 S

Page 2

U.S. PATENT DOCUMENTS

6,550,100	B2	4/2003	Drucker et al.
6,615,448	B2	9/2003	Melara
6,637,071	B2	10/2003	Sorensen
6,725,501	B2	4/2004	Harris et al.
6,839,939	B2	1/2005	Donakowski
D505,316	S	5/2005	Topel
7,150,070	B2	12/2006	Donakowski
D573,452	S *	7/2008	Graffunder et al. D8/375
D592,490	S *	5/2009	Frame D8/375
7,546,662	B2 *	6/2009	Frame 16/47
2002/0178539	A1	12/2002	Donakowski
2005/0108851	A1	5/2005	Dayt

FOREIGN PATENT DOCUMENTS

DE	2153324	10/1981
DE	3130081	6/1984
DE	3913722	6/1990
EP	0268145	5/1988
EP	0486850	5/1992
GB	2091090	7/1982

JP	56063502	5/1981
JP	59038101	9/1984
JP	7257104	10/1995
JP	9058203	3/1997
JP	9226308	9/1997
JP	20000582705	11/1999
JP	2000225804	8/2000
JP	2001334805	12/2001
KR	2003078984	4/2002
KR	2003094176	11/2003
WO	99/19157	4/1999
WO	00/21410	4/2000

OTHER PUBLICATIONS

Hoodbhoy, A.I., Designing With Plastics Em Dash Cast Solid-Polyurethane Industrial Tires, *Plastics Engineering*, v. 32, n8, Aug. 1976, p. 37-38.

Dimensions of Design, *Modern Plastics*, v. 42, n8, Apr. 1965, p. 88-94, 175-176.

Creeper Rolls Right Over Cords and Cracks, *Advanced Materials and Processes*, v. 162, n5, May 2004, p. 10.

* cited by examiner

FIG. 1

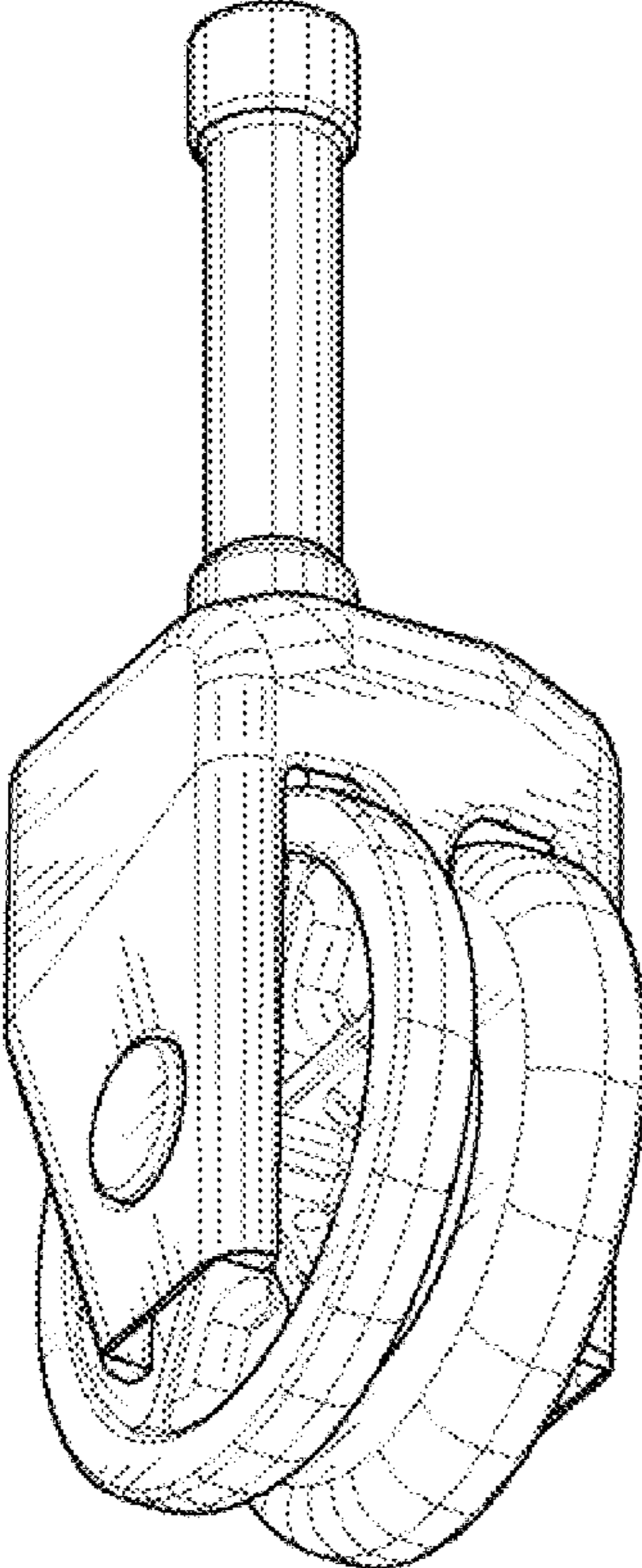
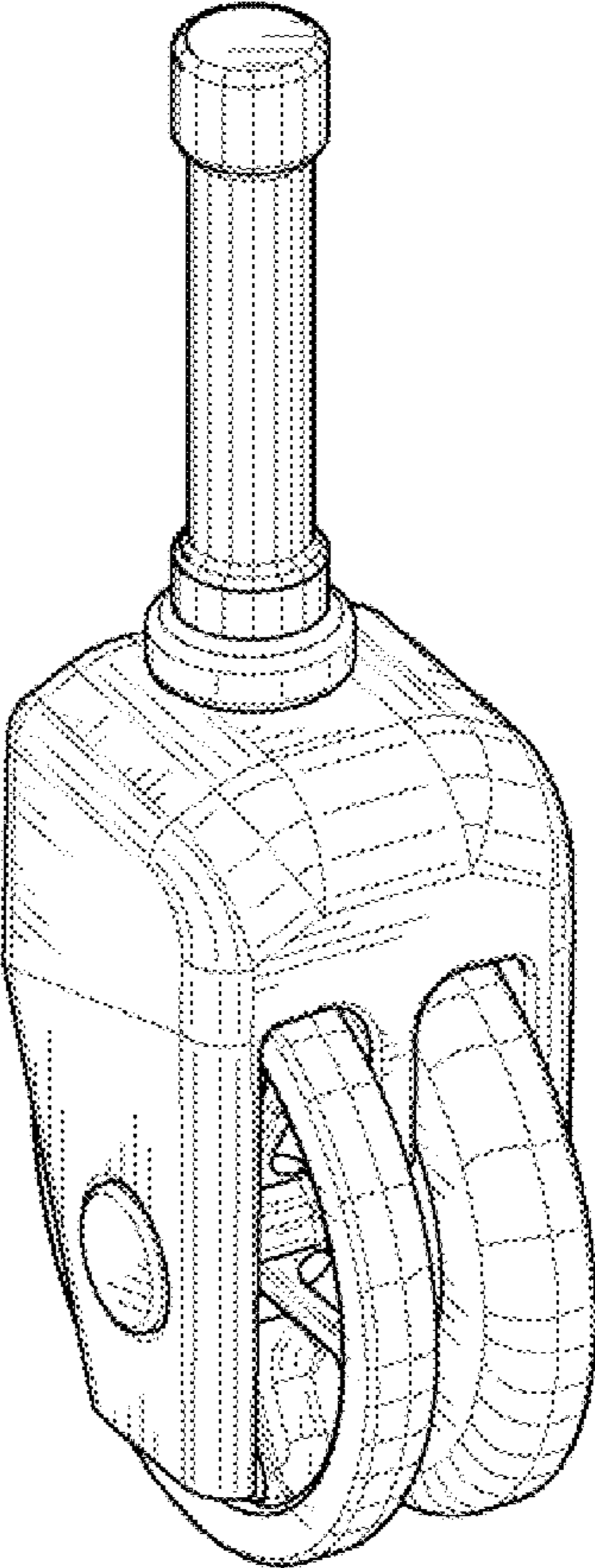


FIG. 2

FIG. 3

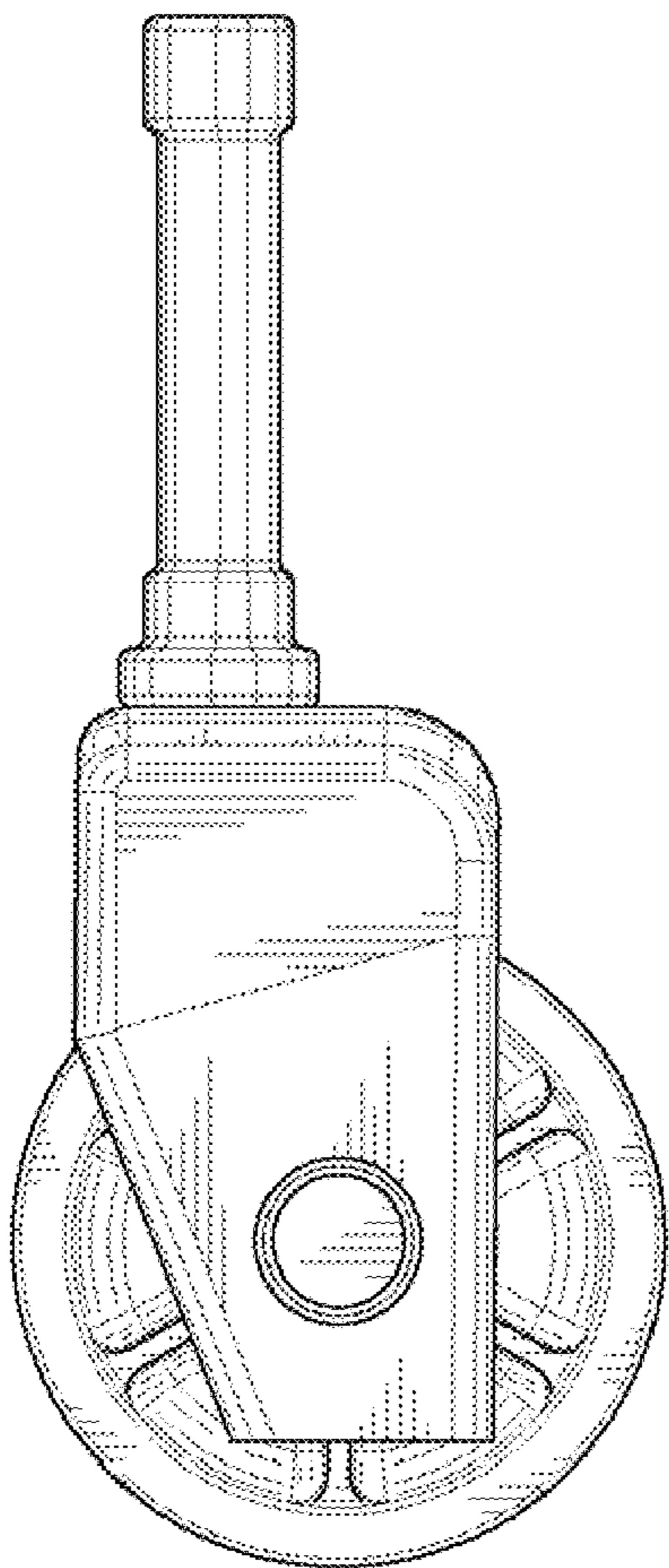
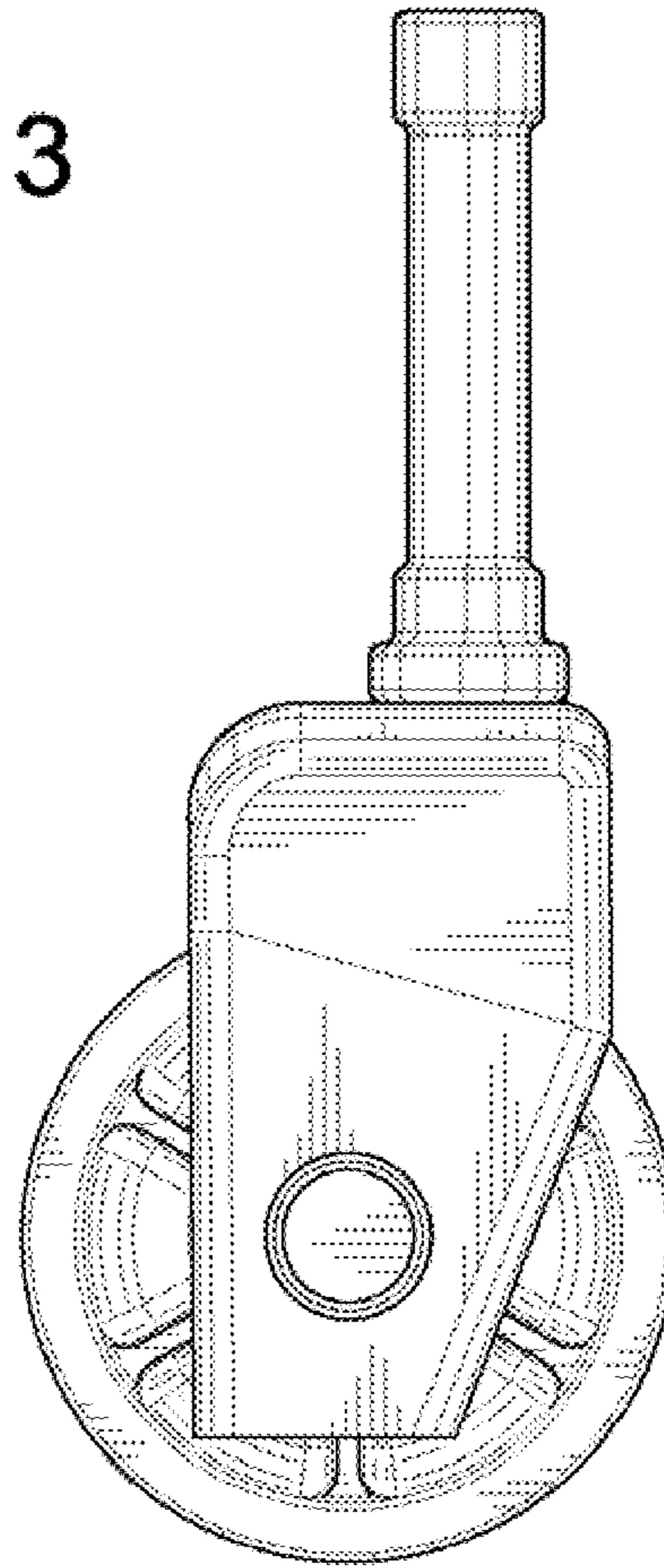


FIG. 4

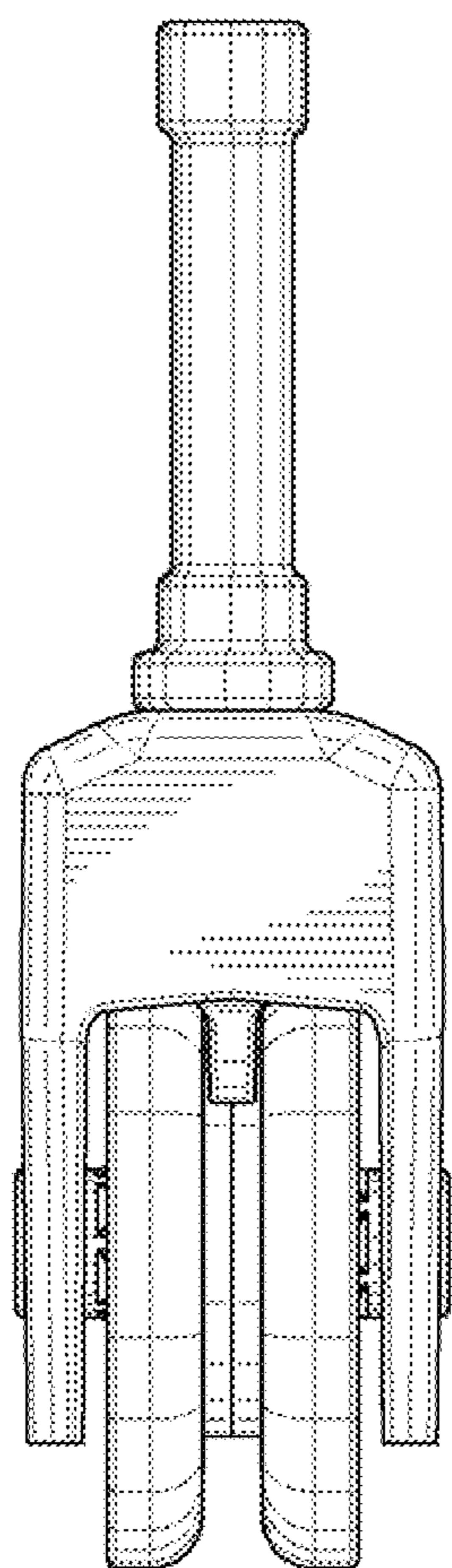


FIG. 5

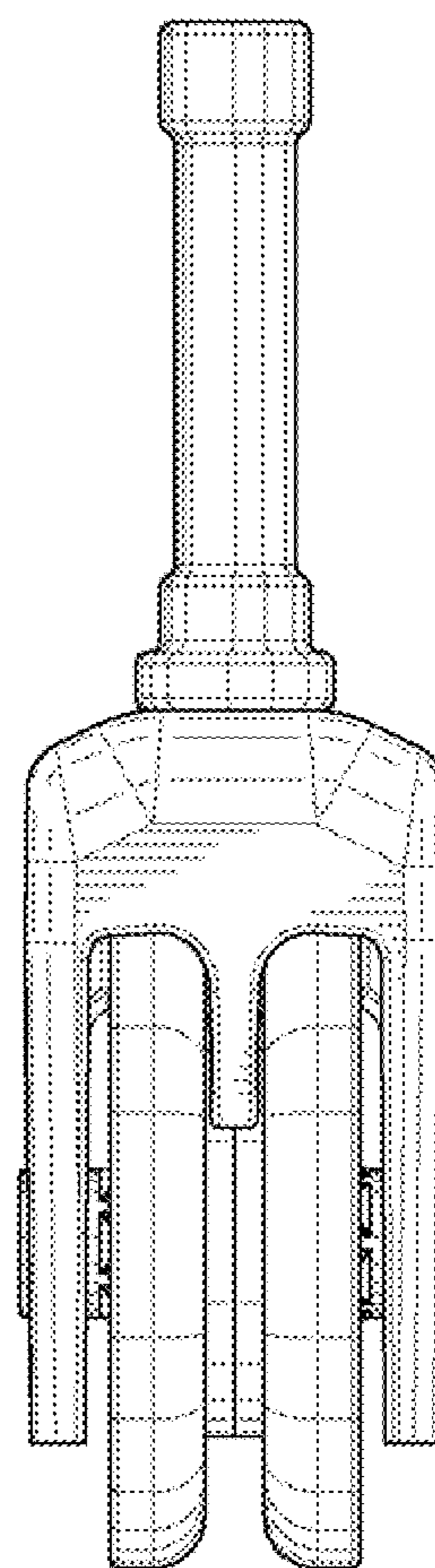


FIG. 6

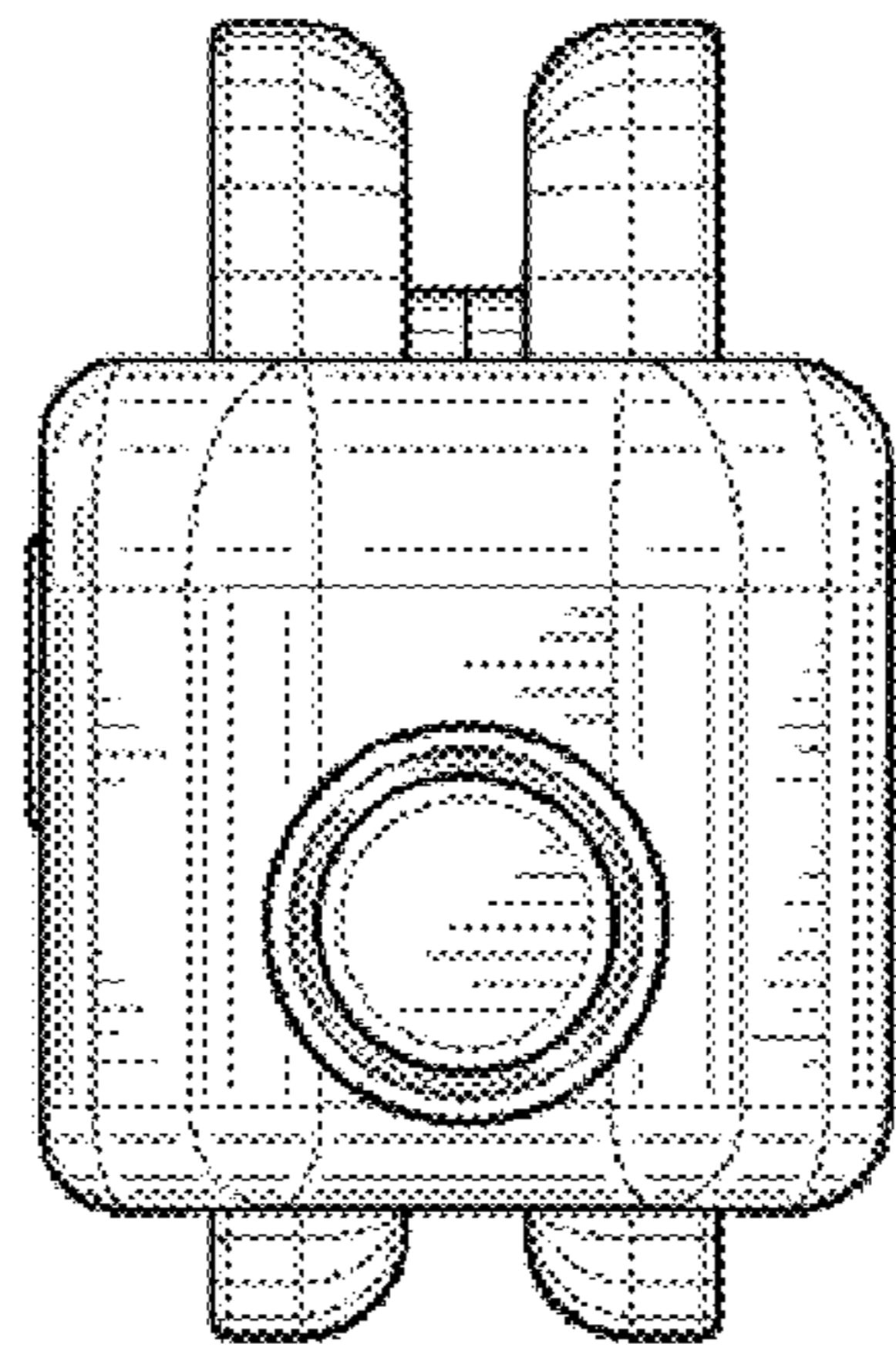


FIG. 7

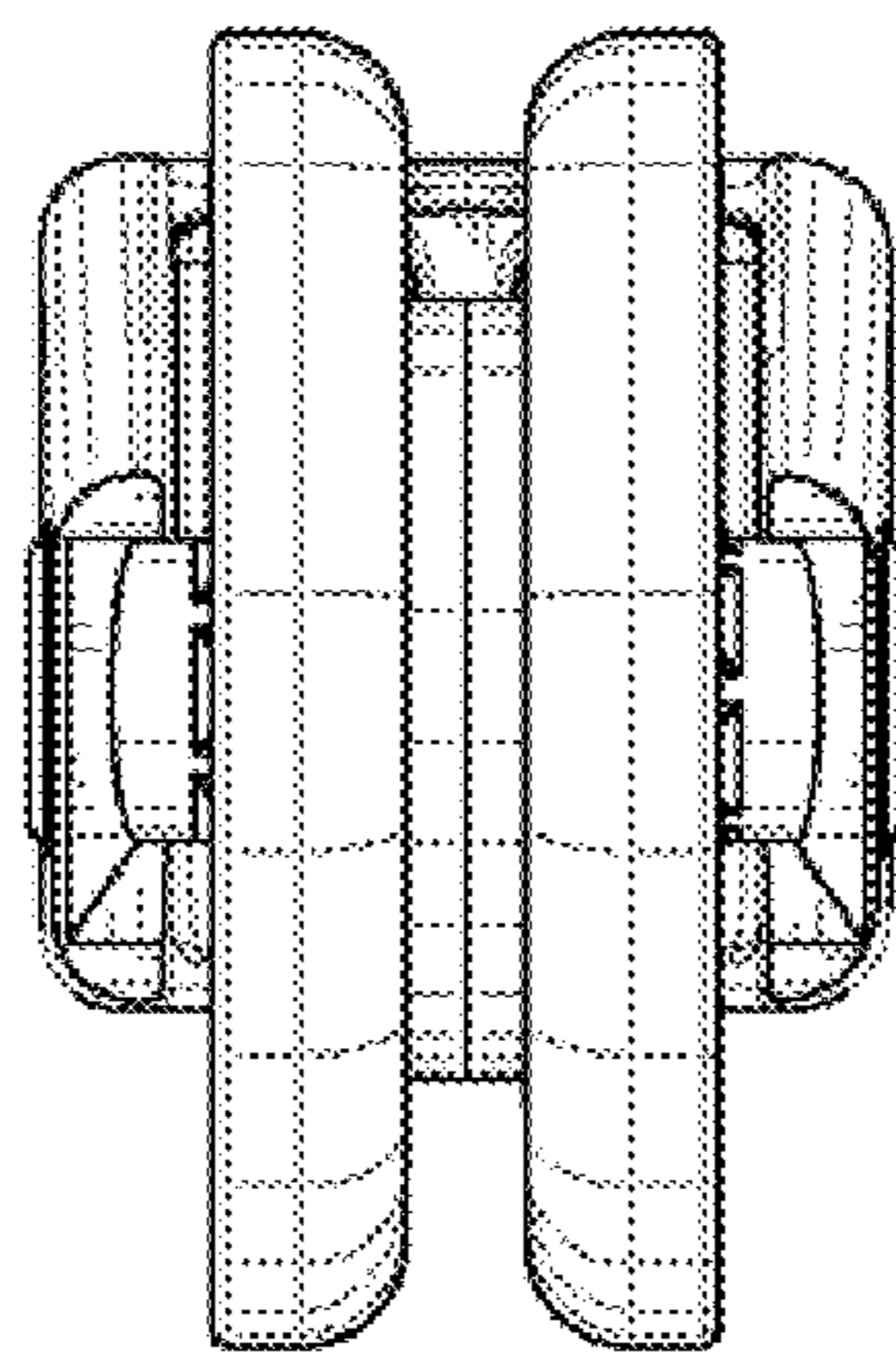


FIG. 8