

US00D602768S

(12) **United States Design Patent**  
**Goodman et al.**

(10) **Patent No.:** **US D602,768 S**

(45) **Date of Patent:** **\*\* Oct. 27, 2009**

(54) **HOOK RACK**

(75) Inventors: **Sheldon H. Goodman**, Solon, OH (US);  
**Omer I. Sazir**, Cleveland, OH (US)

(73) Assignee: **Spectrum Diversified Designs, Inc.**,  
Streetsboro, OH (US)

(\*\*) Term: **14 Years**

(21) Appl. No.: **29/303,657**

(22) Filed: **Feb. 14, 2008**

(51) **LOC (9) Cl.** ..... **08-01**

(52) **U.S. Cl.** ..... **D8/372**

(58) **Field of Classification Search** ..... D8/370,  
D8/372; 248/301-304

See application file for complete search history.

(56) **References Cited**

**U.S. PATENT DOCUMENTS**

D421,382 S *	3/2000	Abdi .....	D8/372
D465,406 S *	11/2002	Goodman et al. ....	D8/372
D465,998 S *	11/2002	Goodman et al. ....	D8/372
D466,396 S *	12/2002	Snell .....	D8/372
D479,796 S *	9/2003	Snell .....	D8/372

\* cited by examiner

*Primary Examiner*—Holly H Baynham

(74) *Attorney, Agent, or Firm*—Pearne & Gordon LLP

(57) **CLAIM**

The ornamental design for a hook rack, as shown and described.

**DESCRIPTION**

FIG. 1 is a perspective view of a hook rack showing our new design;

FIG. 2 is a front elevational view thereof;

FIG. 3 is a side elevational view thereof;

FIG. 4 is a top plan view thereof;

FIG. 5 is a bottom plan view thereof;

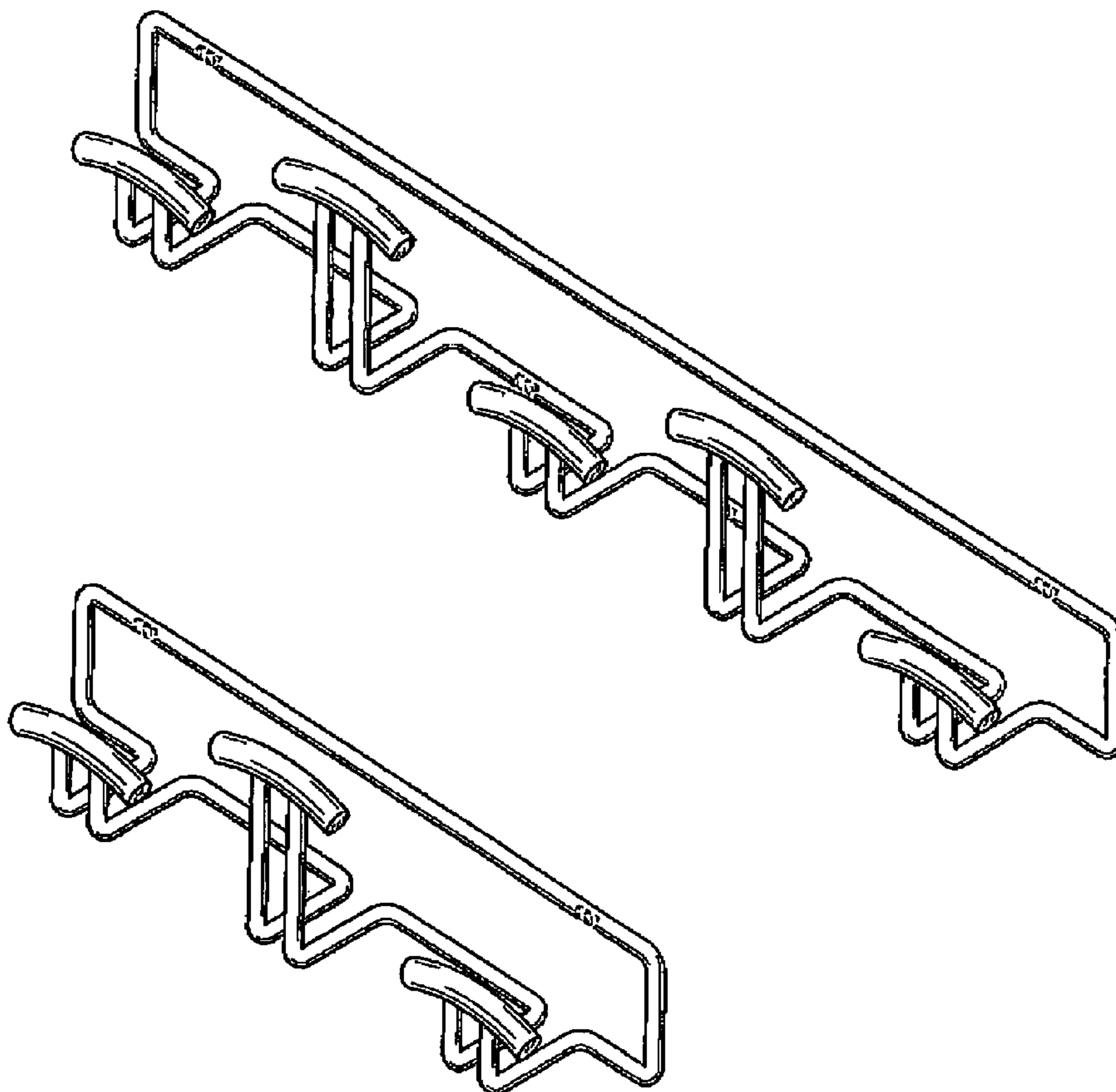
FIG. 6 is a rear elevational view thereof;

FIG. 7 is a perspective view of a second embodiment of a hook rack showing our new design; and,

FIG. 8 is a perspective view of a third embodiment of a hook rack showing our new design. The view is shown broken away to indicate indeterminate length.

The dotted-line disclosure of elements in the views is for illustrative purposes only and forms no part of the claimed design.

**1 Claim, 5 Drawing Sheets**



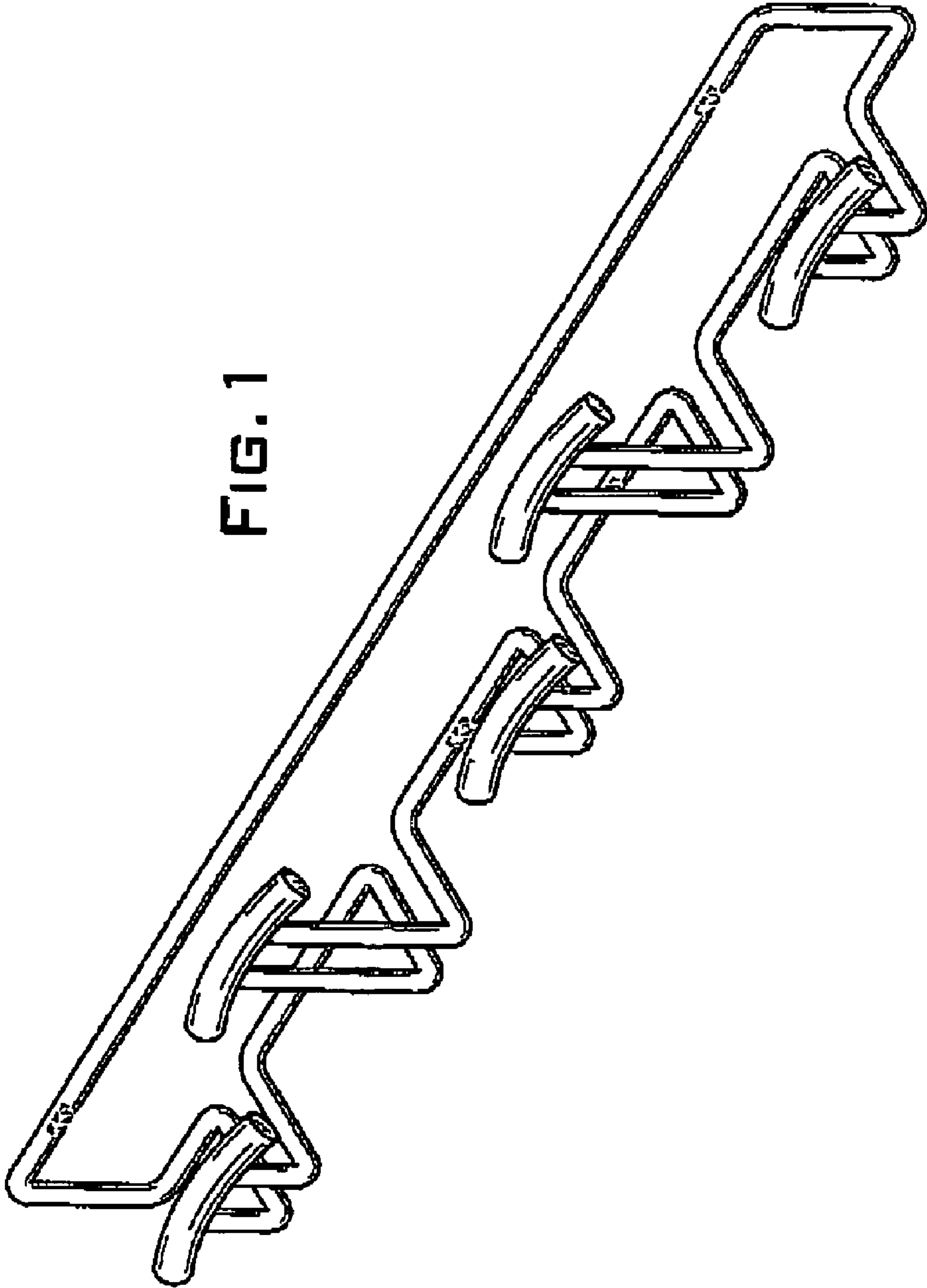


FIG. 1

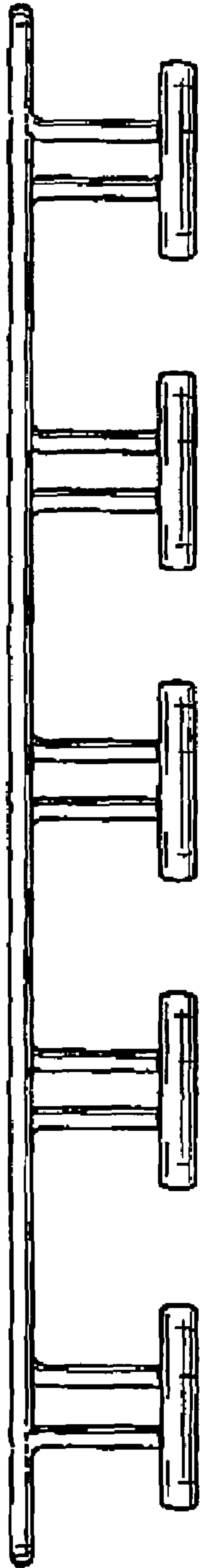


FIG. 4

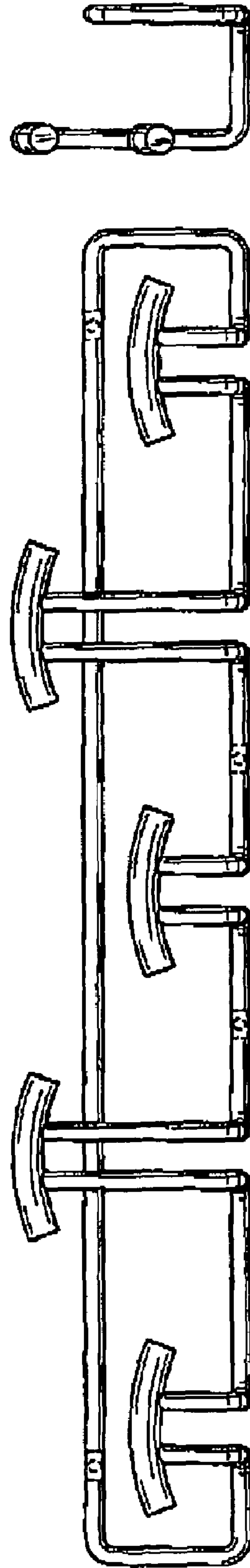


FIG. 2

FIG. 3

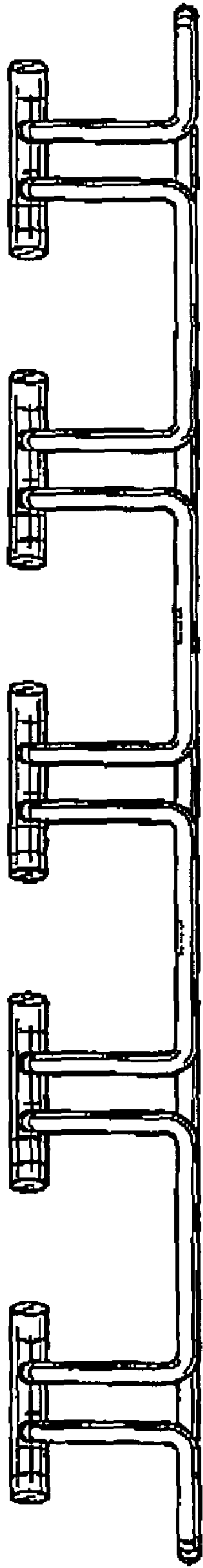


FIG. 5

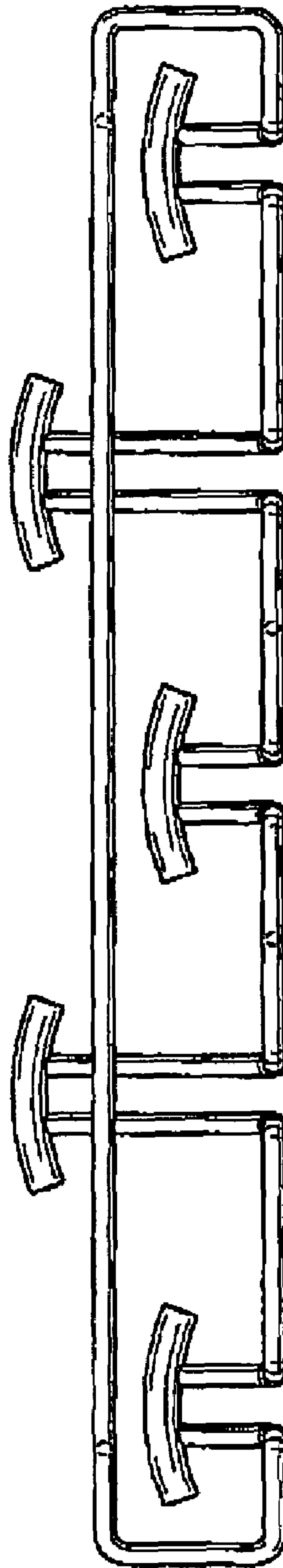
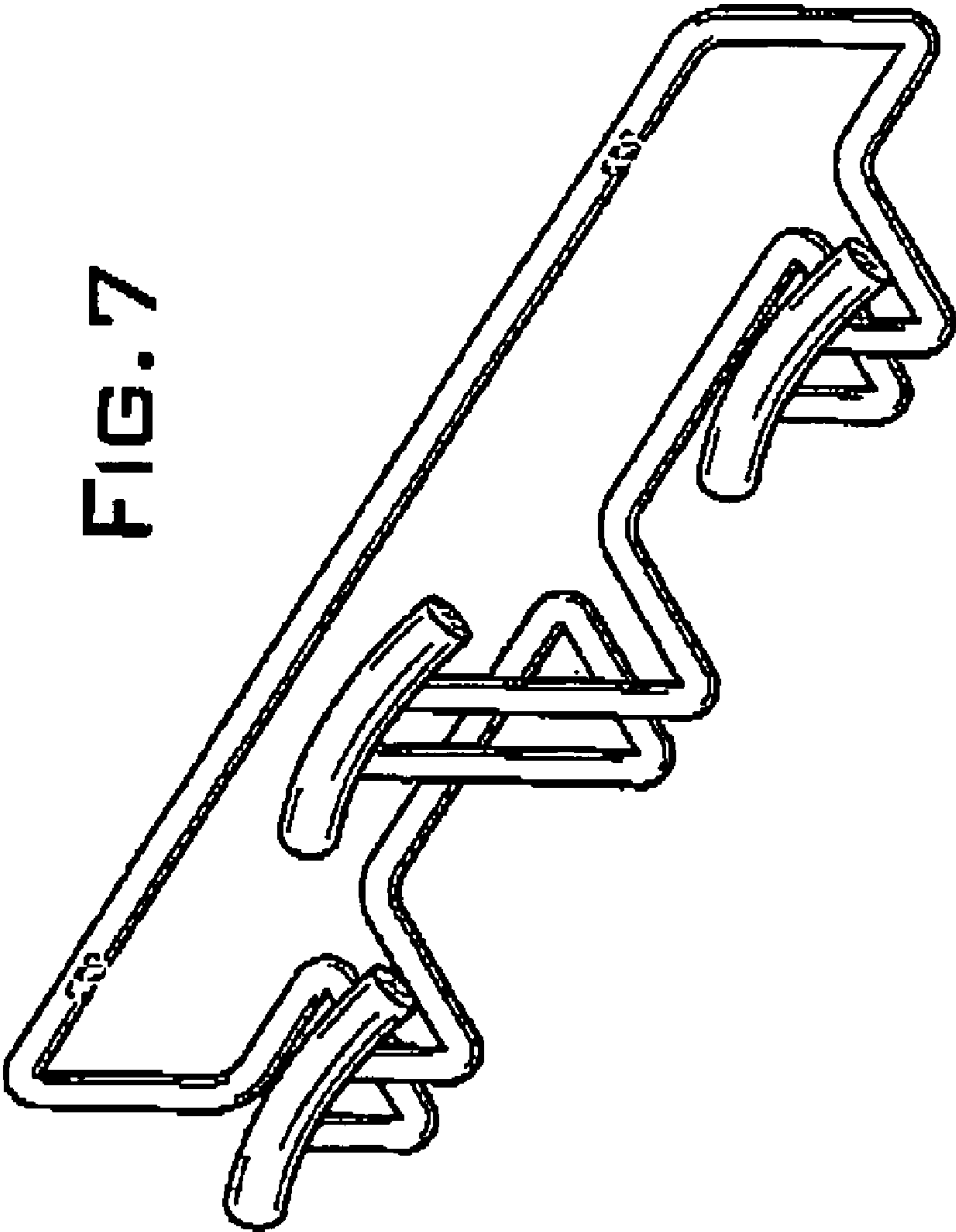


FIG. 6

FIG. 7



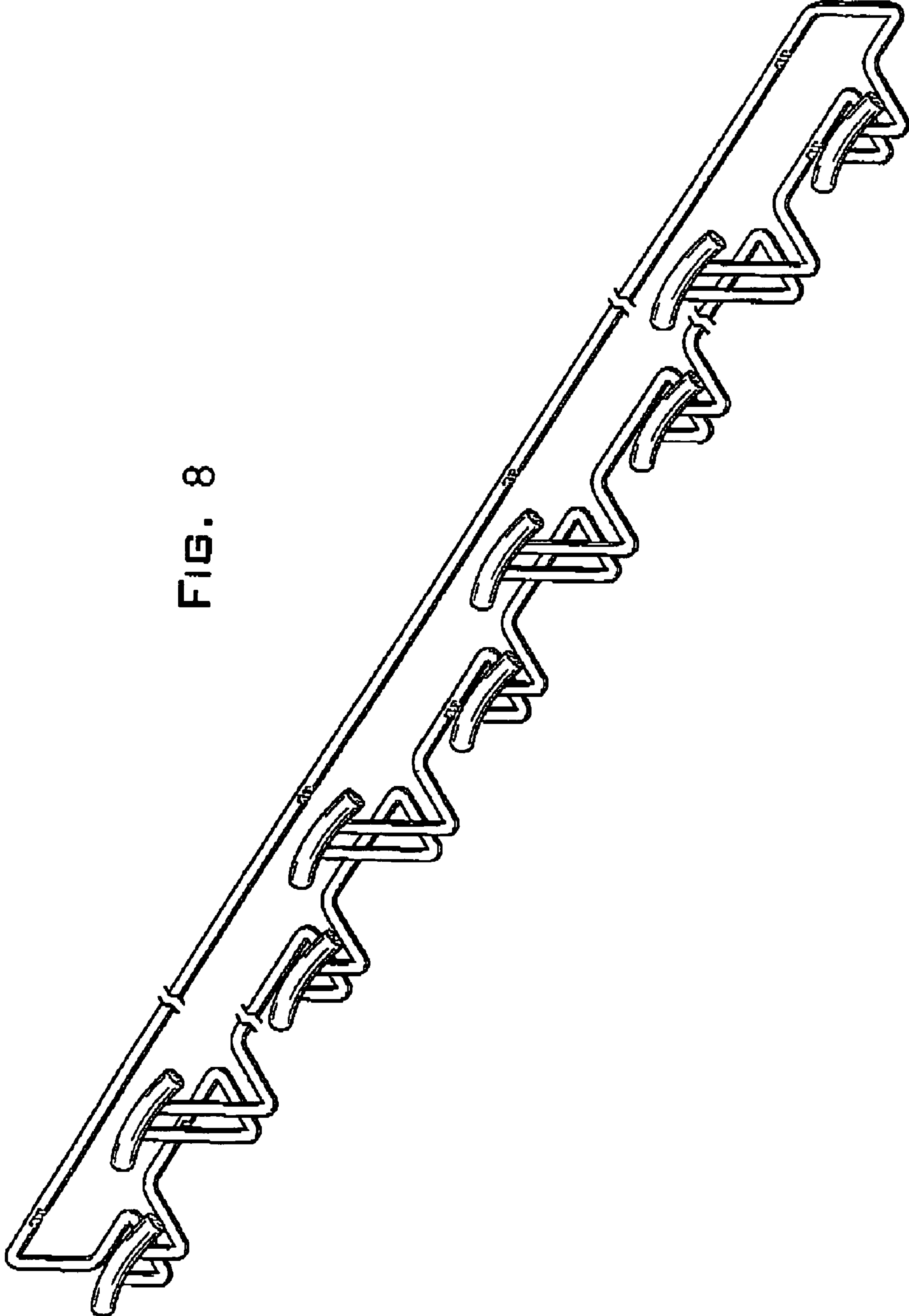


FIG. 8