



US00D602765S

(12) **United States Design Patent**
Craiglow

(10) **Patent No.:** **US D602,765 S**

(45) **Date of Patent:** **** Oct. 27, 2009**

(54) **CORD RETENTION DEVICE**

(76) **Inventor:** **Betty Jane Craiglow**, 770 N. Raincrow Rd., Fayetteville, AR (US) 72704

(**) **Term:** **14 Years**

(21) **Appl. No.:** **29/314,690**

(22) **Filed:** **Apr. 20, 2009**

Related U.S. Application Data

(63) Continuation-in-part of application No. 12/072,432, filed on Feb. 26, 2008.

(51) **LOC (9) Cl.** **08-08**

(52) **U.S. Cl.** **D8/356**

(58) **Field of Classification Search** D8/105, D8/107, 333, 349, 356, 358, 357, 373, 383; D32/73; 24/573.11, 579.09, 579.11, 592.11, 24/599.1, 599.9, 600.1; 248/51, 117.7
See application file for complete search history.

(56) **References Cited**

U.S. PATENT DOCUMENTS

D21,006	S	*	8/1891	Lane	D8/373
1,584,590	A		5/1926	Archard		
1,658,992	A		2/1928	Koehler		
2,172,297	A	*	9/1939	Snyder	248/51
2,216,876	A		10/1940	Crum	24/81
2,779,987	A	*	2/1957	Jordan	402/22
2,866,614	A		12/1958	Lael	248/117.7
3,220,678	A	*	11/1965	Gunderson	248/52
3,443,780	A		5/1969	Bruening	248/117.2
4,123,012	A	*	10/1978	Hough	242/405.2
4,154,010	A		5/1979	Evans	38/106
4,657,213	A		4/1987	Hartlage	248/117.7
4,688,739	A	*	8/1987	Moore	242/405.2
D299,008	S	*	12/1988	Naslund	D9/443
4,997,997	A	*	3/1991	Moore	191/12.2 R

D316,665	S	*	5/1991	Lueth	D8/358
5,065,964	A	*	11/1991	Polak	248/51
D326,407	S	*	5/1992	Ito	D8/395
D328,239	S	*	7/1992	Meeker	D8/356
D403,951	S	*	1/1999	Lin	D8/356
5,855,403	A	*	1/1999	Harper	294/158
D411,950	S	*	7/1999	Dinh et al.	D8/356
5,921,601	A	*	7/1999	Buckles	294/142
D427,891	S	*	7/2000	Senior	D8/358
6,302,347	B1	*	10/2001	Amirault	242/405.2
6,382,549	B1	*	5/2002	Krake	242/405.2
2005/0172459	A1	*	8/2005	Ryan et al.	24/115 R

* cited by examiner

Primary Examiner—T. Chase Nelson

Assistant Examiner—Karen Acker

(74) *Attorney, Agent, or Firm*—Keisling Pieper & Scott, PLC; Stephen D. Schrantz

(57) **CLAIM**

The ornamental design for a cord retention device, as shown and described.

DESCRIPTION

FIG. 1 is a top view of a cord retention device showing my new design;

FIG. 2 is a front view thereof;

FIG. 3 is a bottom view thereof;

FIG. 4 is a rear view thereof;

FIG. 5 is a left side view thereof;

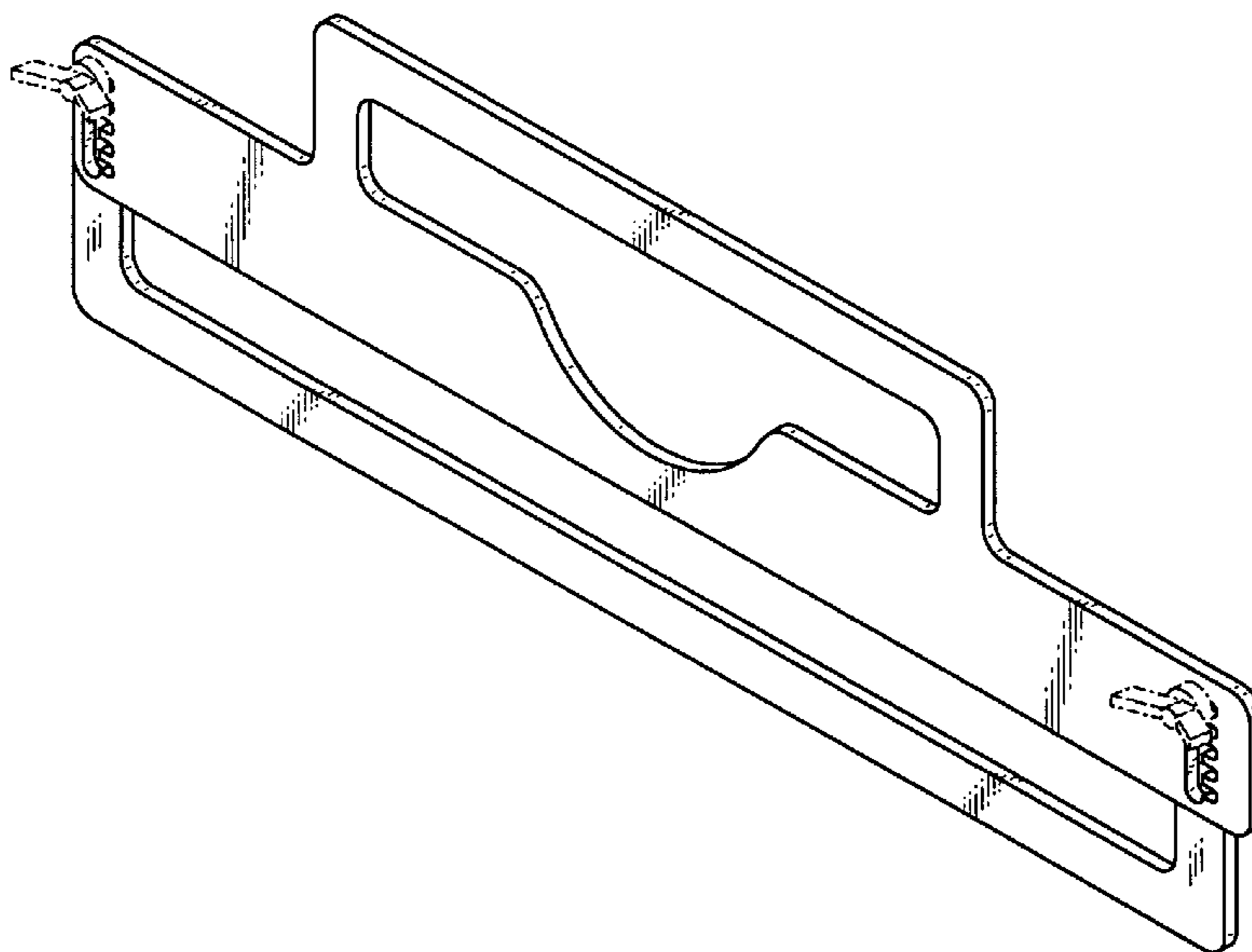
FIG. 6 is a right side view thereof;

FIG. 7 is a perspective view thereof; and,

FIG. 8 is an environmental view thereof.

The broken lines in the drawings represent unclaimed environmental subject matter.

1 Claim, 3 Drawing Sheets



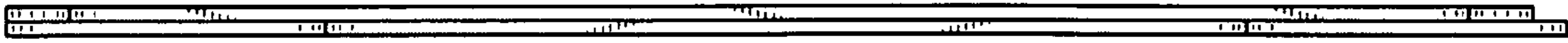


FIG. 1

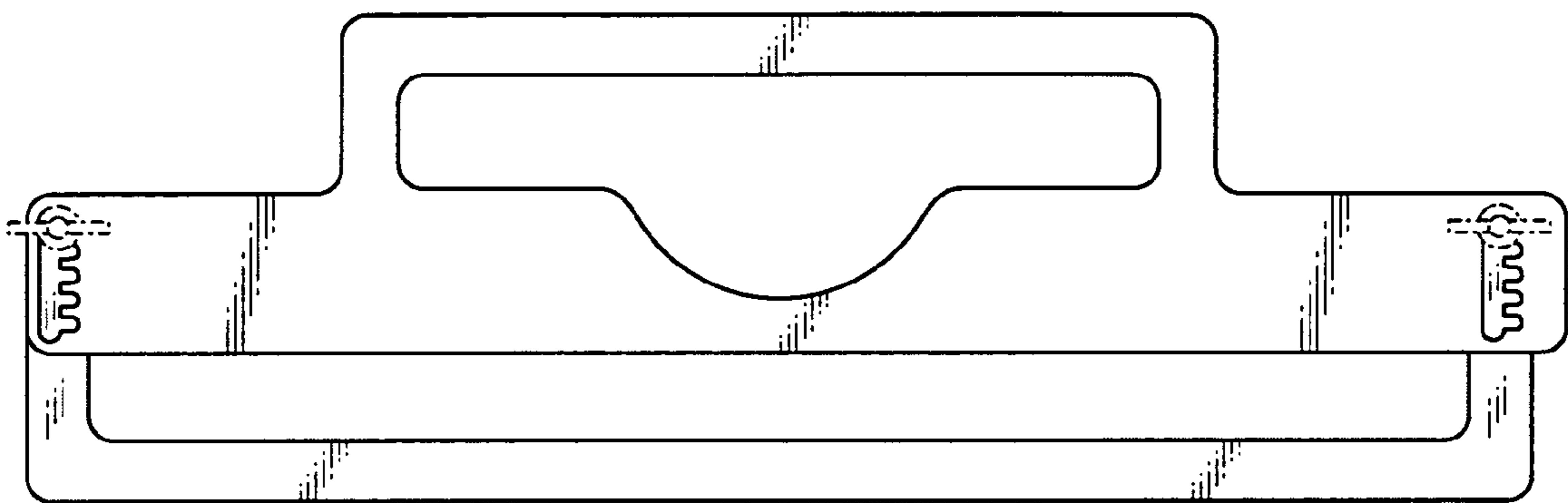


FIG. 2

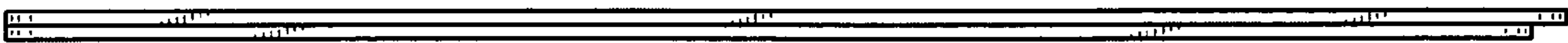


FIG. 3

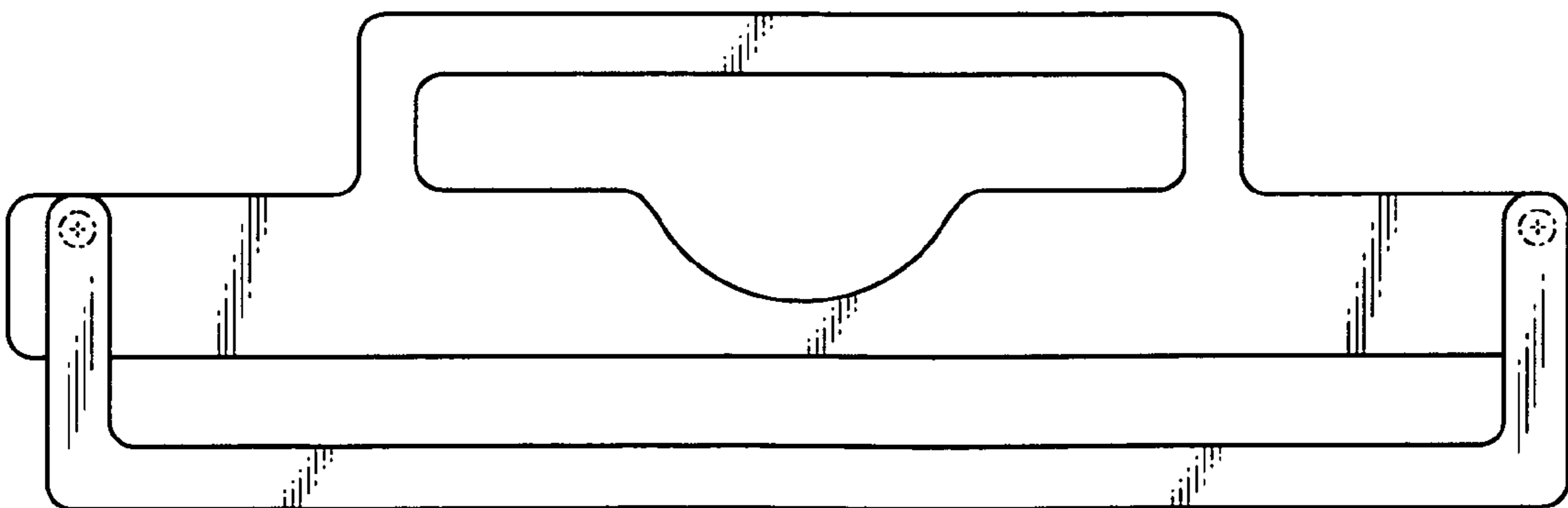


FIG. 4



FIG. 5

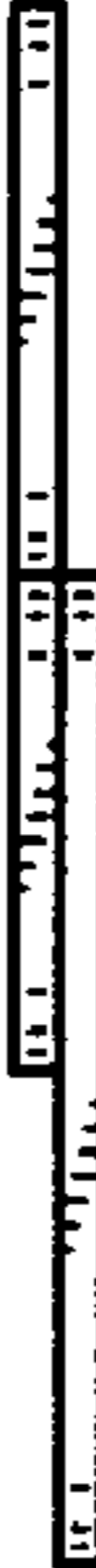


FIG. 6

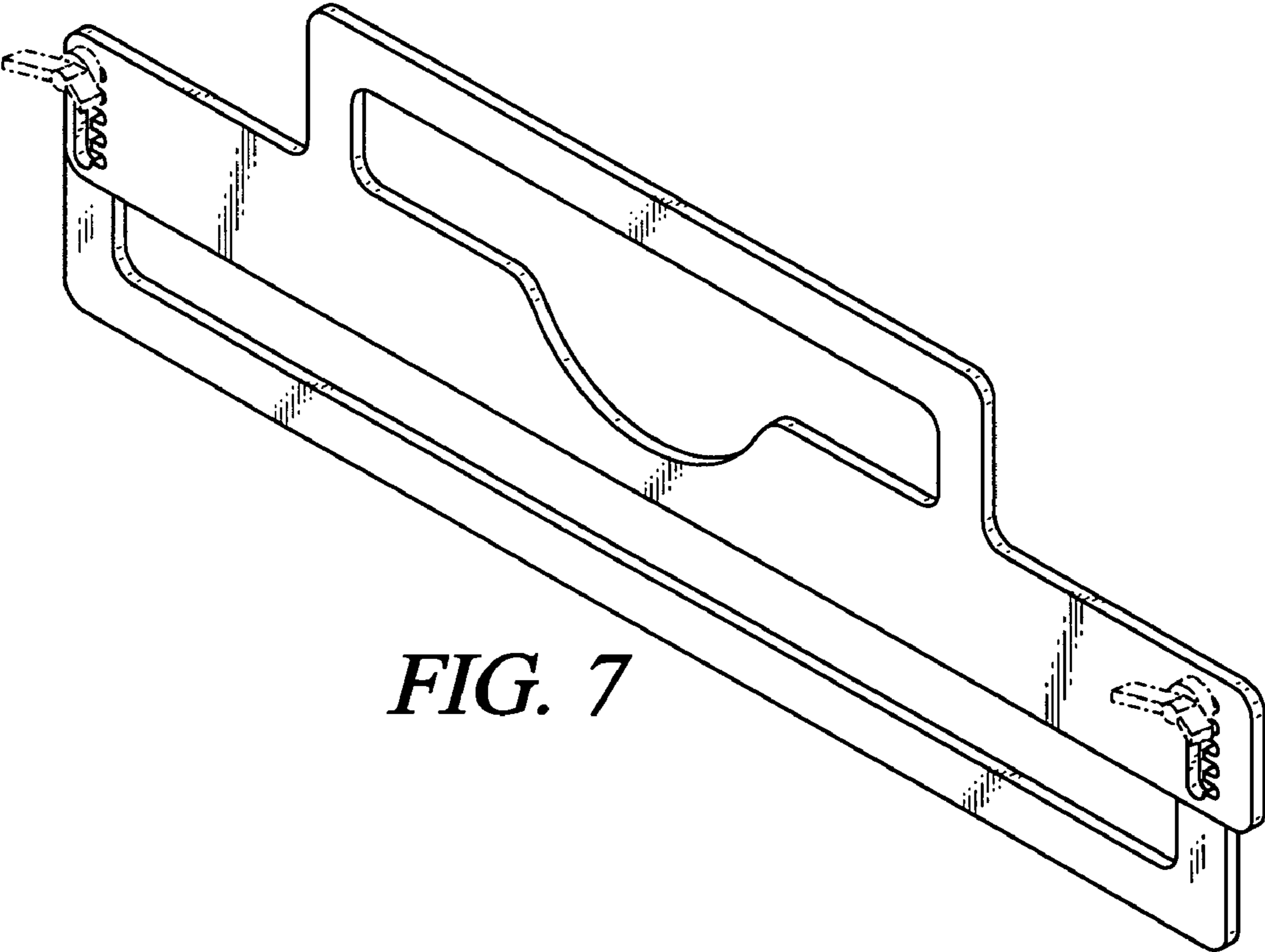


FIG. 7

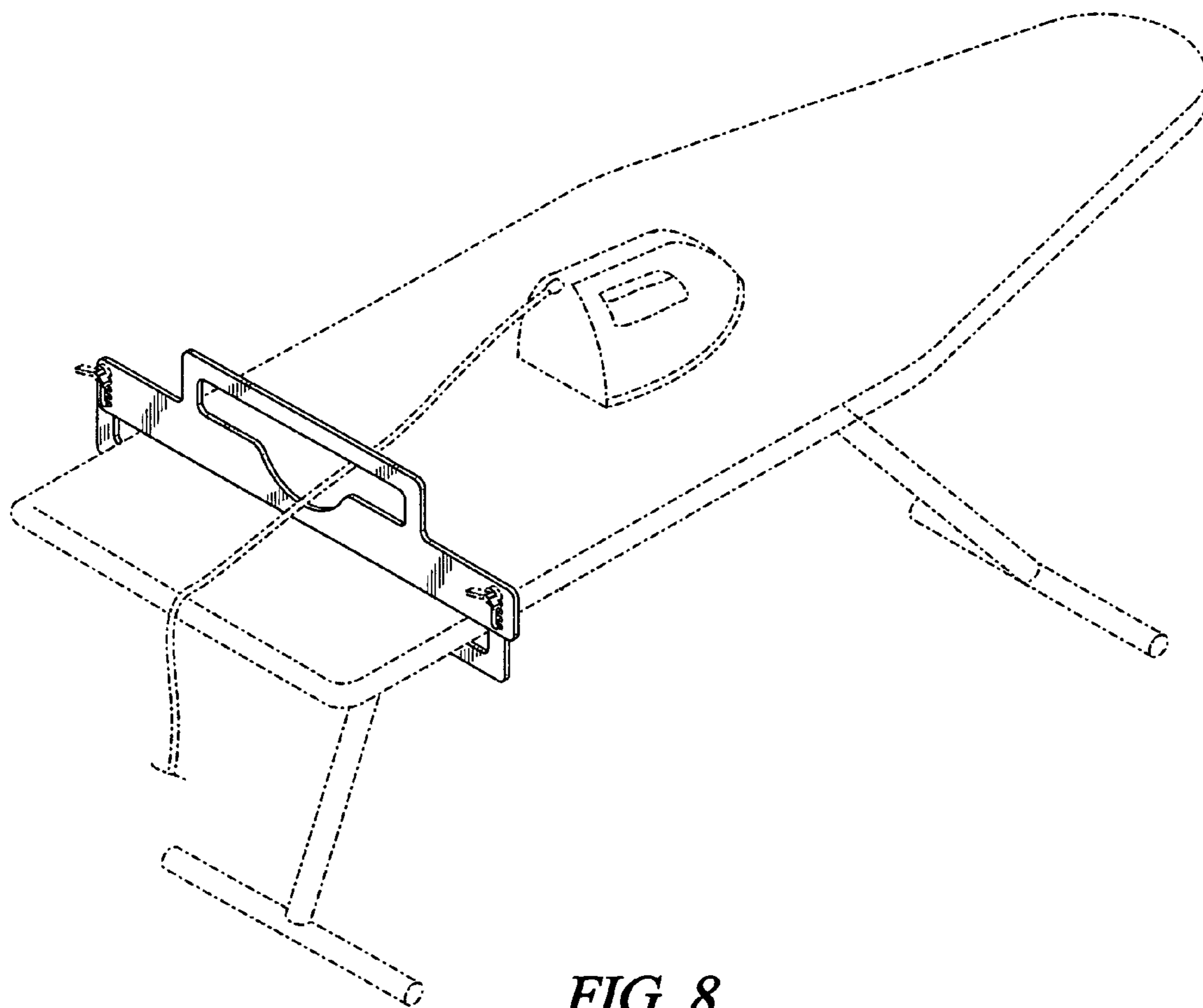


FIG. 8