



US00D602764S

(12) **United States Design Patent**  
**Pae et al.**

(10) **Patent No.:** **US D602,764 S**  
(45) **Date of Patent:** **\*\* \*Oct. 27, 2009**

(54) **COVER FOR CABLE MANAGEMENT RACEWAY**

(75) Inventors: **Andrew Ungho Pae**, Simi Valley, CA (US); **James I. Lawrence**, Georgetown, TX (US); **Scott Alexander Smith**, Lago Vista, TX (US)

(73) Assignee: **Chatsworth Products, Inc.**, Westlake Village, CA (US)

(\*) Notice: This patent is subject to a terminal disclaimer.

(\*\*) Term: **14 Years**

(21) Appl. No.: **29/302,235**

(22) Filed: **Jan. 14, 2008**

**Related U.S. Application Data**

(63) Continuation-in-part of application No. 29/299,970, filed on Jan. 7, 2008, now abandoned.

(51) **LOC (9) Cl.** ..... **08-05**

(52) **U.S. Cl.** ..... **D8/356**

(58) **Field of Classification Search** ..... D8/105, D8/107, 333, 349, 354, 356, 358, 367, 373, D8/382, 383, 394-396, 400; D13/155, 184; D26/76; 24/18, 197, 561; 174/68.3, 101, 174/153 G, 650, 656; 242/400.1, 405.1, 242/405.2, 600, 603; 248/65, 74.1-74.4, 248/201, 214, 215, 229.26, 302, 304, 316.7, 248/316.8; 439/131, 135, 142, 367, 369, 439/371, 472, 501, 535

See application file for complete search history.

(56) **References Cited**

**U.S. PATENT DOCUMENTS**

D171,224 S \* 12/1953 Pfaff, Jr. .... D8/356  
2,921,607 A \* 1/1960 Caveney ..... 138/106  
3,403,220 A \* 9/1968 Riedel et. al. .... 174/101  
3,705,949 A \* 12/1972 Weiss ..... 174/101  
4,398,564 A \* 8/1983 Young et al. .... 138/92

4,484,020 A \* 11/1984 Loof et al. .... 174/68.3  
5,023,404 A 6/1991 Hudson et al.  
5,024,251 A \* 6/1991 Chapman ..... 138/92  
D318,793 S \* 8/1991 Sutton ..... D8/395  
5,086,195 A \* 2/1992 Claisse ..... 174/101  
D331,006 S 11/1992 Dziedzic  
5,235,136 A \* 8/1993 Santucci et al. .... 174/68.3  
D348,469 S \* 7/1994 Johnson et al. .... D14/240  
D353,277 S 12/1994 Irvin  
D355,788 S 2/1995 Irvin  
5,602,364 A 2/1997 Ustin  
5,709,249 A \* 1/1998 Okada et al. .... 138/162  
D395,816 S 7/1998 Colodny  
D401,497 S \* 11/1998 Terrell ..... D8/356  
5,831,216 A 11/1998 Hoffmann  
D402,639 S \* 12/1998 Baxter et al. .... D13/184  
5,902,961 A 5/1999 Viklund et al.

(Continued)

**FOREIGN PATENT DOCUMENTS**

EM 000554316-0001 \* 7/2006

*Primary Examiner*—Robert M Spear

*Assistant Examiner*—Karen Acker

(74) *Attorney, Agent, or Firm*—James D. Wright; Chad D. Tillman; Tillman Wright, PLLC

(57) **CLAIM**

The ornamental design for a cover for cable management raceway, as shown.

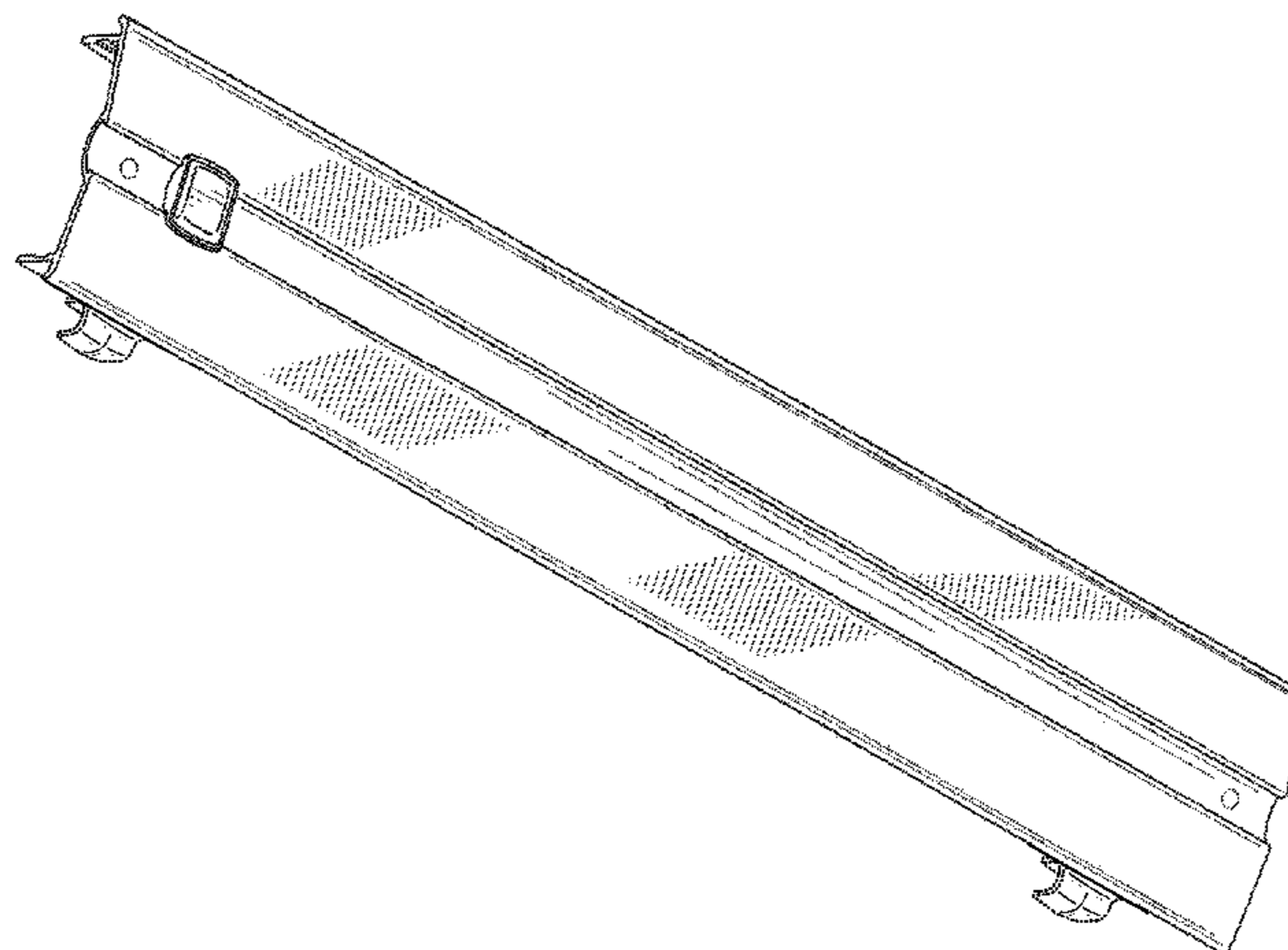
**DESCRIPTION**

FIG. 1 is a perspective view of a front side of the design for a cover for a cable management raceway in accordance with a preferred embodiment of the present invention; and,

FIG. 2 is a rear perspective view of the cover for a cable management raceway.

Portions of the design shown in broken lines form no part of the claimed design. In particular, the left side of the article, which appears entirely in broken lines, forms no part of the claimed design.

**1 Claim, 2 Drawing Sheets**



# US D602,764 S

Page 2

## U.S. PATENT DOCUMENTS

D418,927	S *	1/2000	Levesque	.....	D25/138	7,041,912	B2 *	5/2006	Kadrnoska et al.	.....	174/154
D424,915	S	5/2000	Takase et al.			7,060,893	B1 *	6/2006	Villi	.....	174/507
6,107,575	A *	8/2000	Miranda	.....	174/101	D530,038	S	10/2006	Kotovsky		
6,107,576	A *	8/2000	Morton et al.	.....	174/101	7,119,282	B2 *	10/2006	Krietzman et al.	.....	174/101
6,215,069	B1 *	4/2001	Martin et al.	.....	174/68.3	7,178,679	B2 *	2/2007	Canty et al.	.....	211/26
6,294,736	B1 *	9/2001	Takeda et al.	.....	174/72 A	7,225,586	B2	6/2007	Levesque et al.		
6,398,149	B1	6/2002	Hines et al.			D555,641	S	11/2007	Levesque et al.		
6,437,243	B1 *	8/2002	VanderVelde et al.	.....	174/68.3	D560,474	S	1/2008	Thru		
6,437,244	B1 *	8/2002	Vander Velde	.....	174/68.3	7,378,046	B2 *	5/2008	Canty et al.	.....	264/318
6,489,565	B1 *	12/2002	Krietzman et al.	.....	174/101	D574,542	S	8/2008	Engel		
6,605,782	B1 *	8/2003	Krietzman et al.	.....	174/101	7,408,121	B2 *	8/2008	Halliday et al.	.....	174/481
6,944,383	B1	9/2005	Herzog et al.			7,417,188	B2	8/2008	McNutt et al.		
6,946,605	B2	9/2005	Levesque et al.			2002/0197045	A1	12/2002	Schmidt et al.		
6,968,647	B2	11/2005	Levesque et al.			2005/0103517	A1 *	5/2005	Canepa	.....	174/68.3
7,000,784	B2 *	2/2006	Canty et al.	.....	211/26	2005/0115152	A1	6/2005	Levesque et al.		
7,019,213	B1 *	3/2006	McNutt et al.	.....	174/68.1	2006/0054336	A1 *	3/2006	McNutt et al.	.....	174/50
7,026,553	B2	4/2006	Levesque et al.			2006/0059802	A1 *	3/2006	McNutt et al.	.....	52/220.7
7,041,898	B2 *	5/2006	Stempinski et al.	.....	174/488	2006/0091086	A1 *	5/2006	Canty et al.	.....	211/26
						2008/0156946	A1	7/2008	Schmutzer		
						2008/0174217	A1	7/2008	Walker		
						2008/0180004	A1	7/2008	Martich et al.		

\* cited by examiner

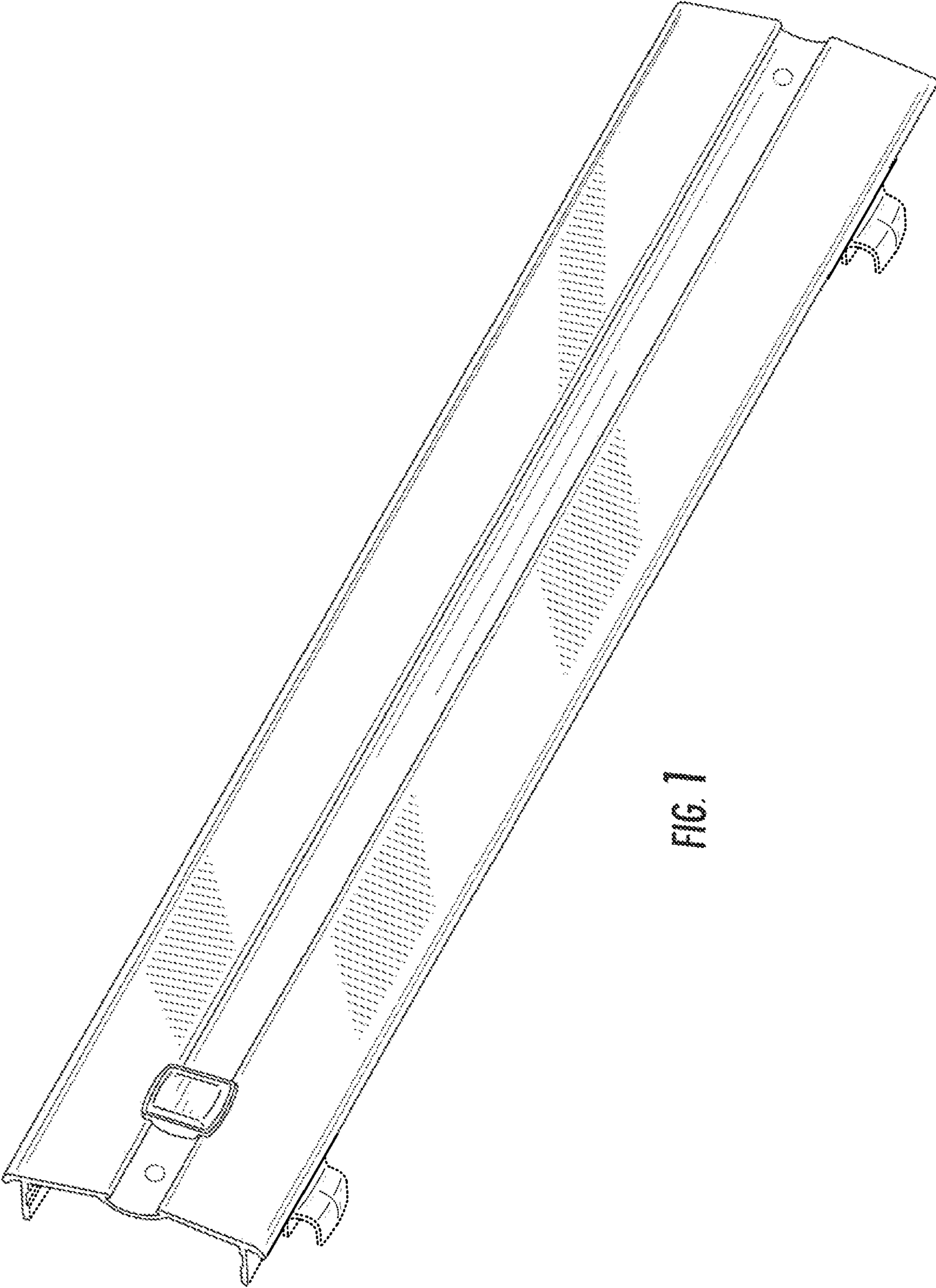


FIG. 1



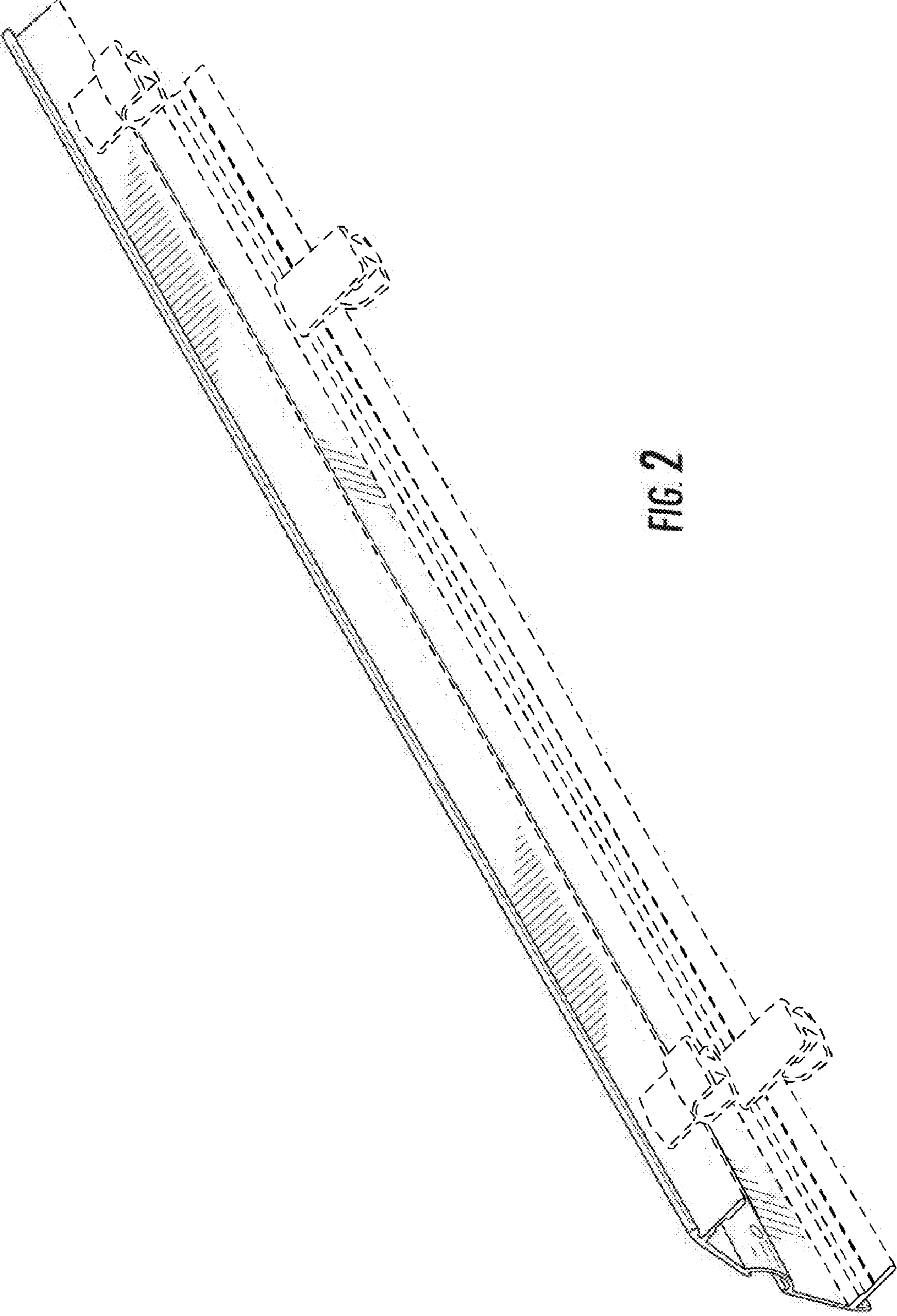


FIG. 2