



US00D602763S

(12) **United States Design Patent**
Peterson et al.

(10) **Patent No.:** **US D602,763 S**

(45) **Date of Patent:** **** Oct. 27, 2009**

(54) **BRACKET**

(75) Inventors: **Thomas Lloyd Peterson**, Eden Prairie, MN (US); **Thomas John McPeak**, Shakopee, MN (US)

(73) Assignee: **Nestec S.A.**, Vevey (CH)

(**) Term: **14 Years**

(21) Appl. No.: **29/319,114**

(22) Filed: **Jun. 4, 2008**

(51) **LOC (9) Cl.** **08-05**

(52) **U.S. Cl.** **D8/354**

(58) **Field of Classification Search** D8/349, D8/354, 356, 394, 395; 248/65, 68.1, 74.1, 248/74.2, 74.5, 200, 201, 205.1, 316.1, 316.8; 242/118, 159, 160.3, 177, 400.1, 405.1, 405.2, 242/600, 916

See application file for complete search history.

(56) **References Cited**

U.S. PATENT DOCUMENTS

D323,972	S	*	2/1992	Rowland	D8/394
D341,075	S	*	11/1993	Quinkert	D8/354
D349,038	S	*	7/1994	Sachs	D8/356
D354,218	S	*	1/1995	Van de Peer	D8/354
D354,672	S	*	1/1995	Van de Peer	D8/354
D355,582	S	*	2/1995	Sleight	D8/354
D357,171	S	*	4/1995	Studdiford	D8/349
5,411,228	A	*	5/1995	Morawa et al.	248/74.5
D379,424	S	*	5/1997	White et al.	D8/354
D399,724	S	*	10/1998	Barringer	D8/354
D406,749	S	*	3/1999	Selk	D8/356
D429,625	S	*	8/2000	Sikkila et al.	D8/354
D439,501	S	*	3/2001	Benz et al.	D8/354

6,393,670	B1	*	5/2002	Bealmear	24/129 R
D490,692	S	*	6/2004	Williams	D8/356
D543,835	S	*	6/2007	Geiger	D8/354
D572,572	S	*	7/2008	Chang	D8/356

* cited by examiner

Primary Examiner—Holly H Baynham

Assistant Examiner—Cynthia M Chin

(74) *Attorney, Agent, or Firm*—K&L Gates LLP

(57) **CLAIM**

The ornamental design for a bracket, as shown and described.

DESCRIPTION

FIG. 1 illustrates a reduced right front perspective view of the bracket, wherein the broken line illustration of a housing represents the environment in which the design resides and forms no part of the claimed design.

FIG. 2 illustrates a right front perspective view of the bracket of FIG. 1.

FIG. 3 illustrates a front elevation view of the bracket of FIG. 1.

FIG. 4 illustrates a rear elevation view of the bracket of FIG. 1.

FIG. 5 illustrates a right side elevation view of the bracket of FIG. 1.

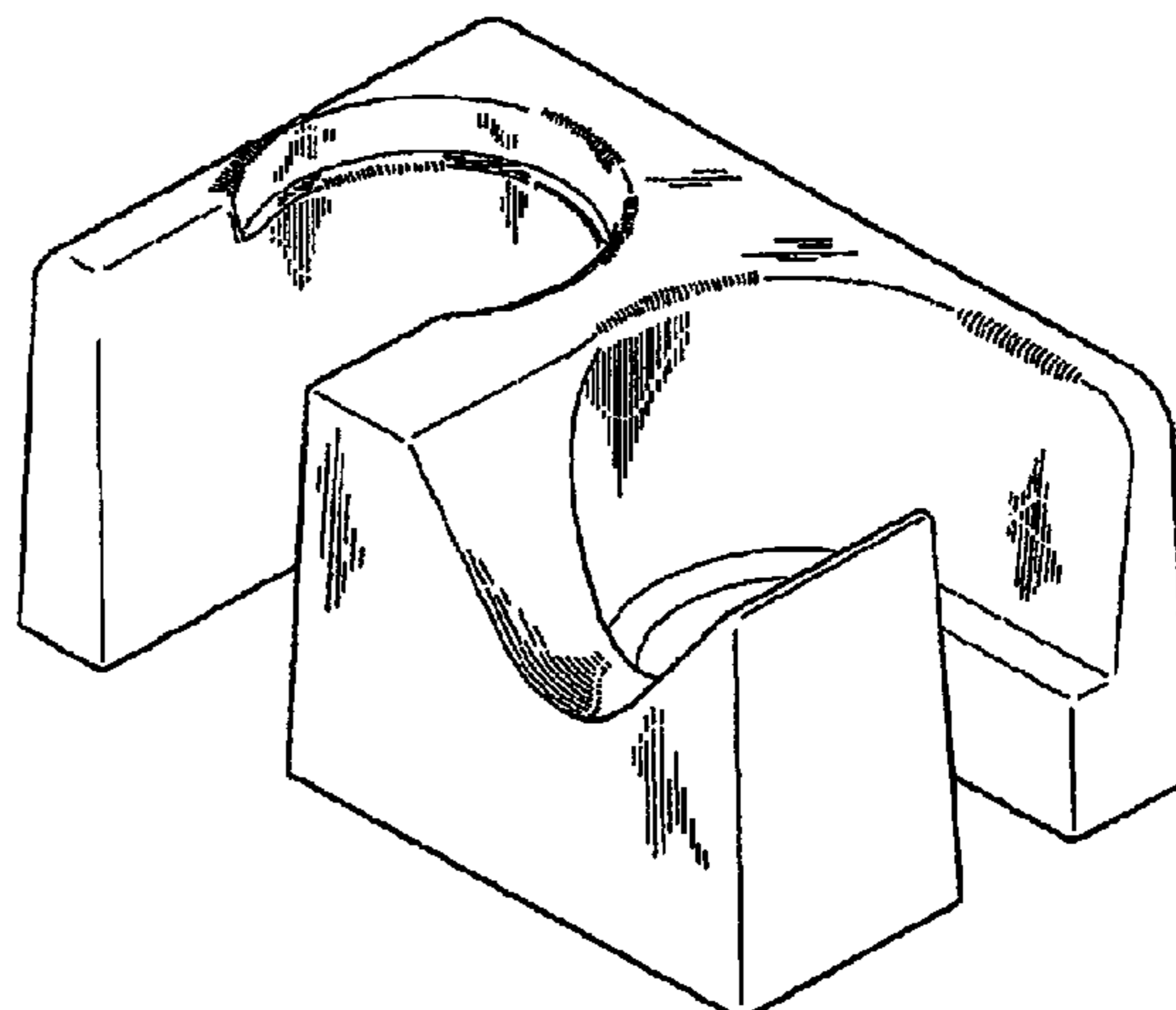
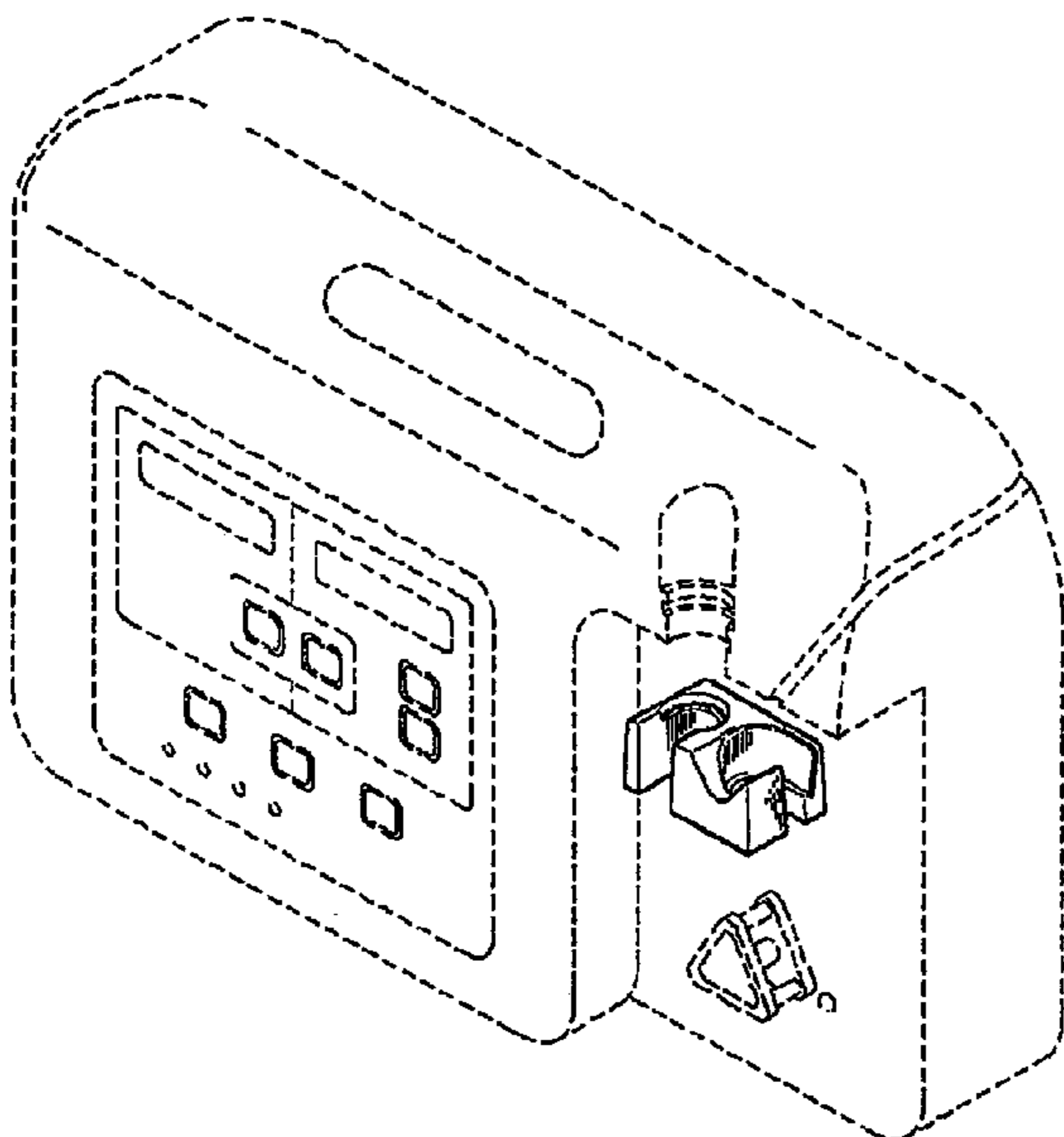
FIG. 6 illustrates a left side elevation view of the bracket of FIG. 1.

FIG. 7 illustrates a top view of the bracket of FIG. 1; and,

FIG. 8 illustrates a bottom view of the bracket of FIG. 1.

The broken lines shown in FIG. 8 represent portions of the design that form no part of the claim.

1 Claim, 4 Drawing Sheets



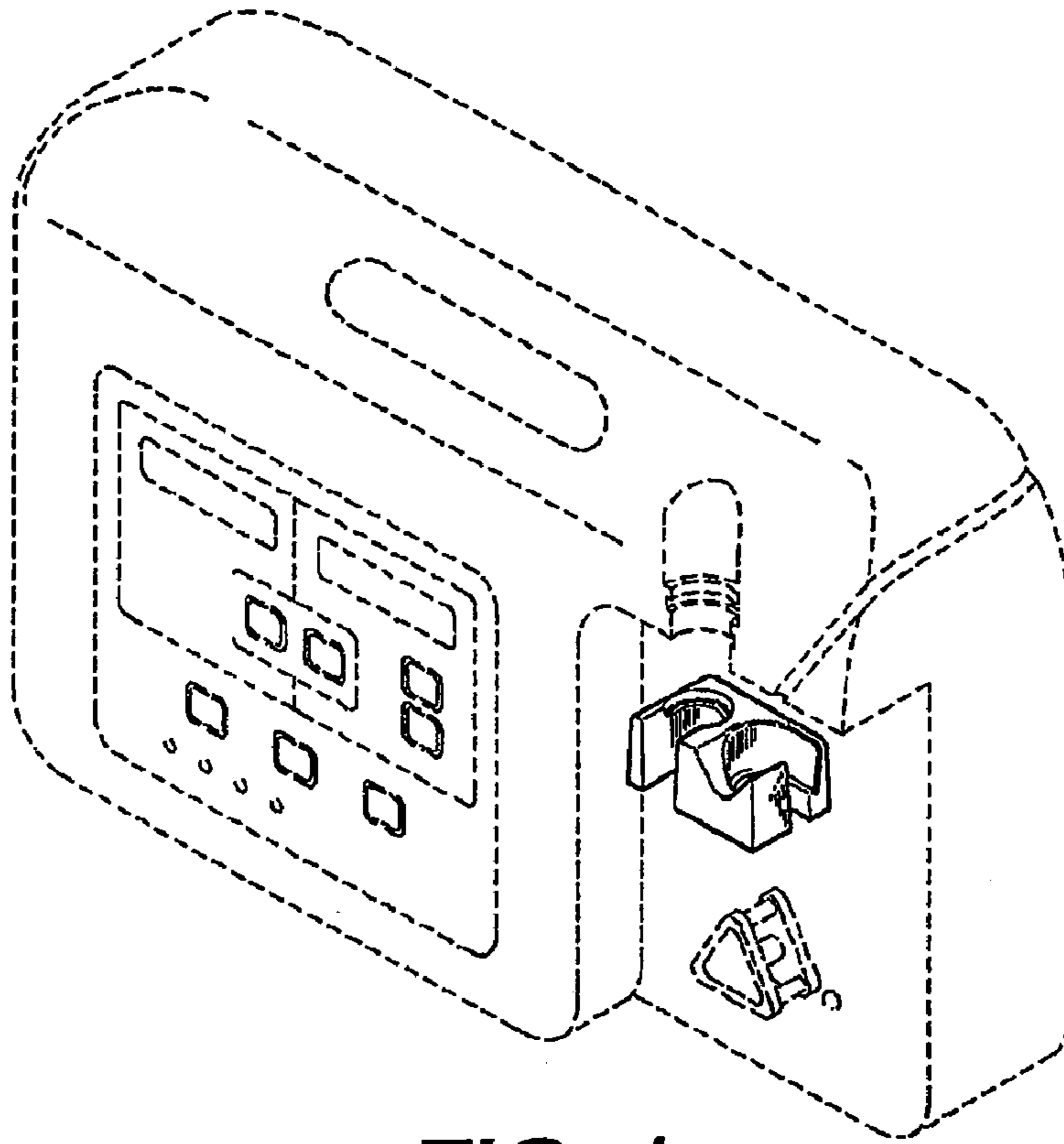


FIG. 1

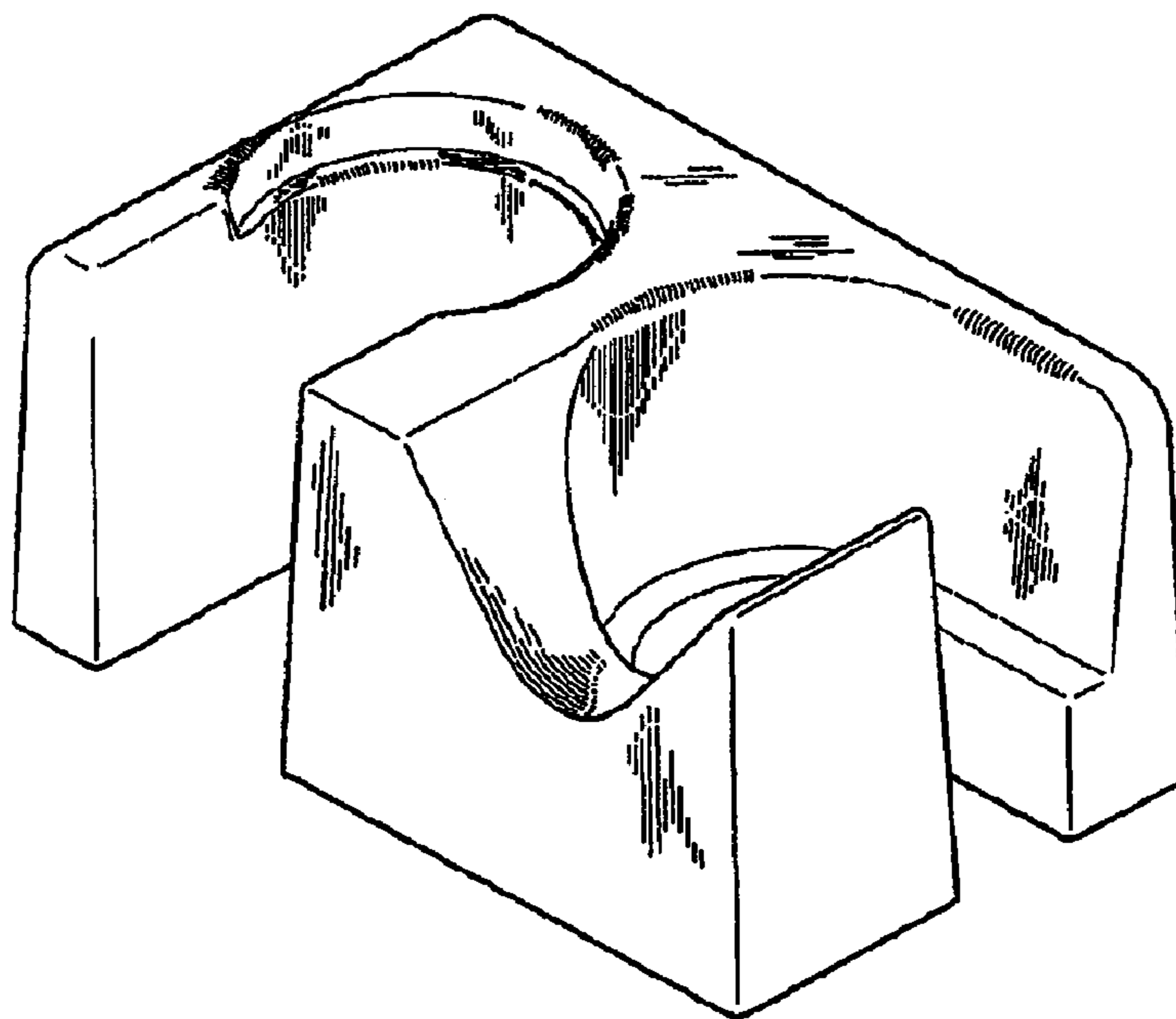


FIG. 2

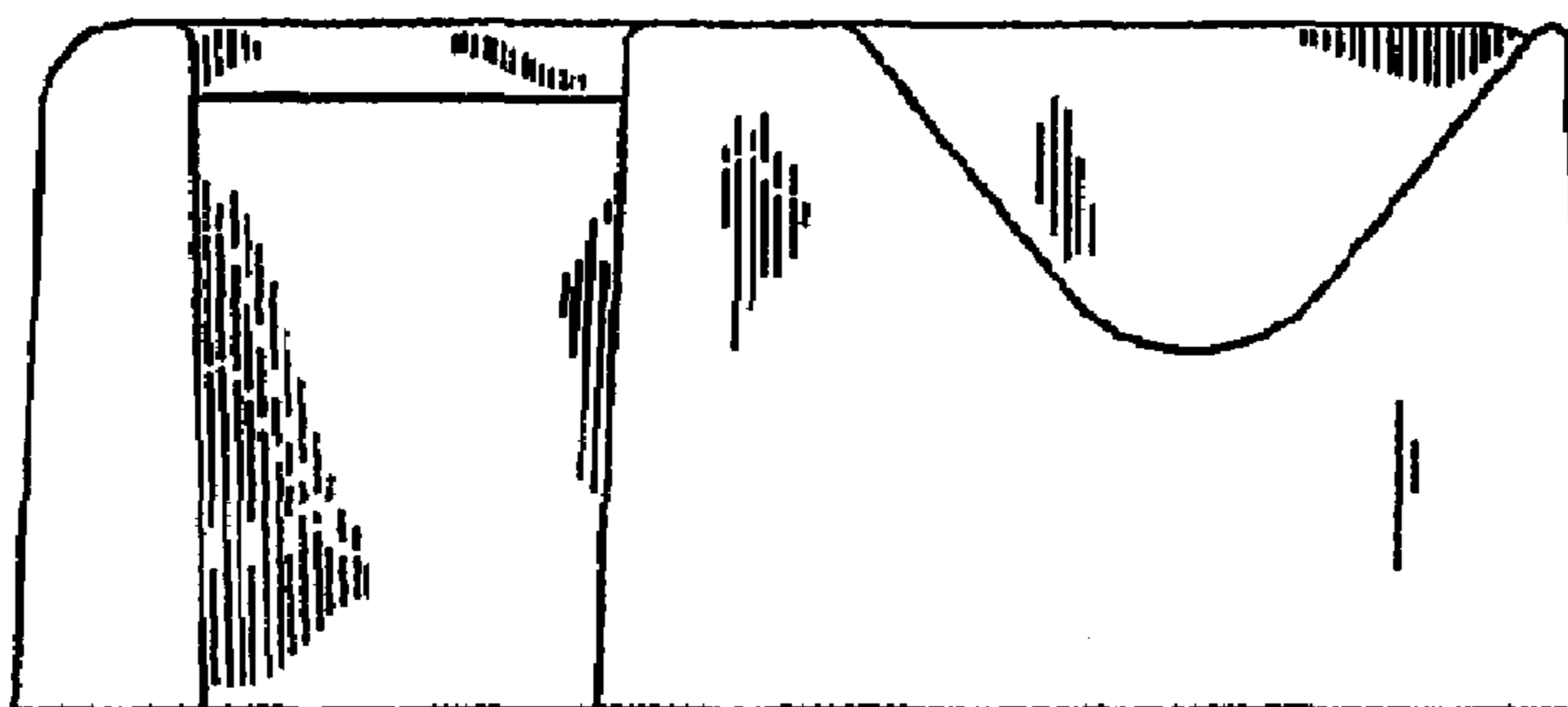


FIG. 3

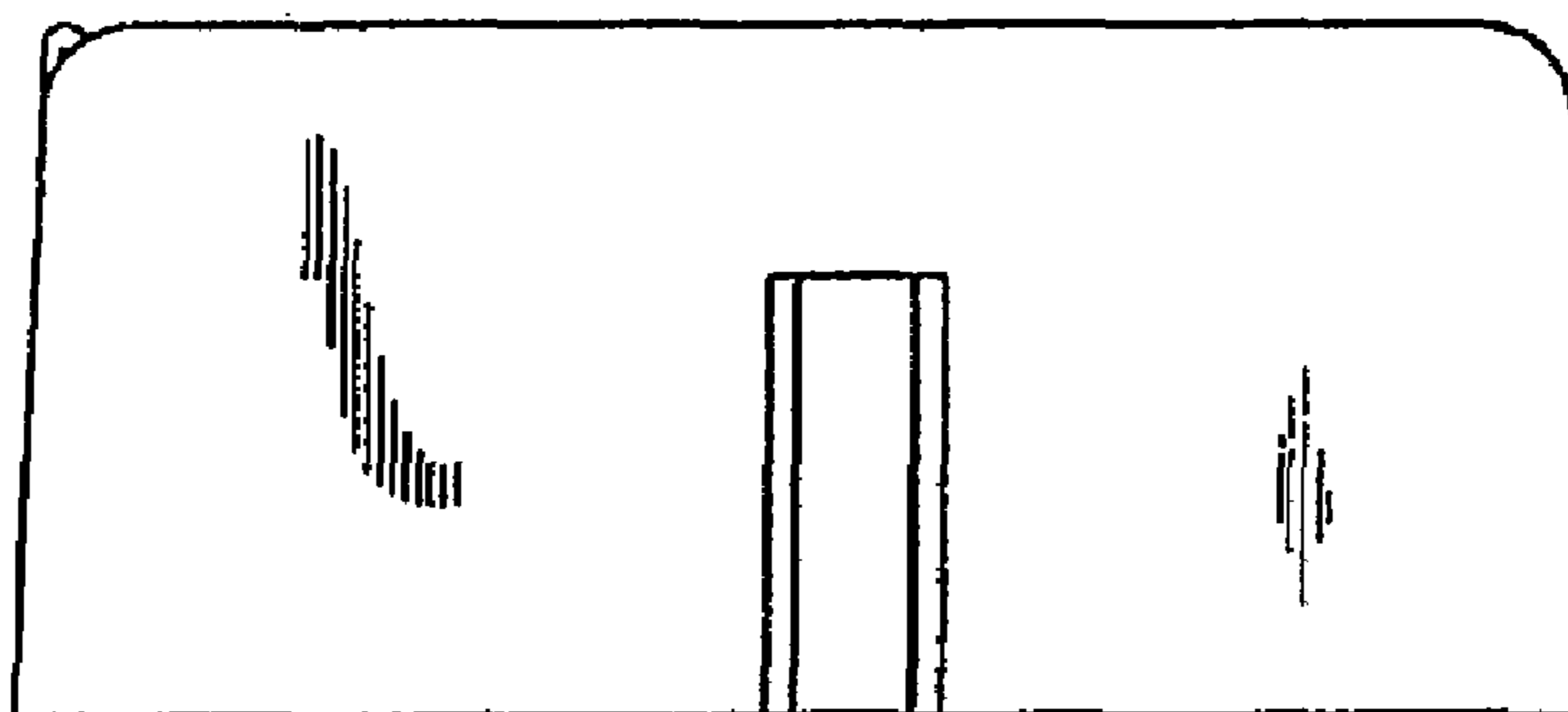


FIG. 4

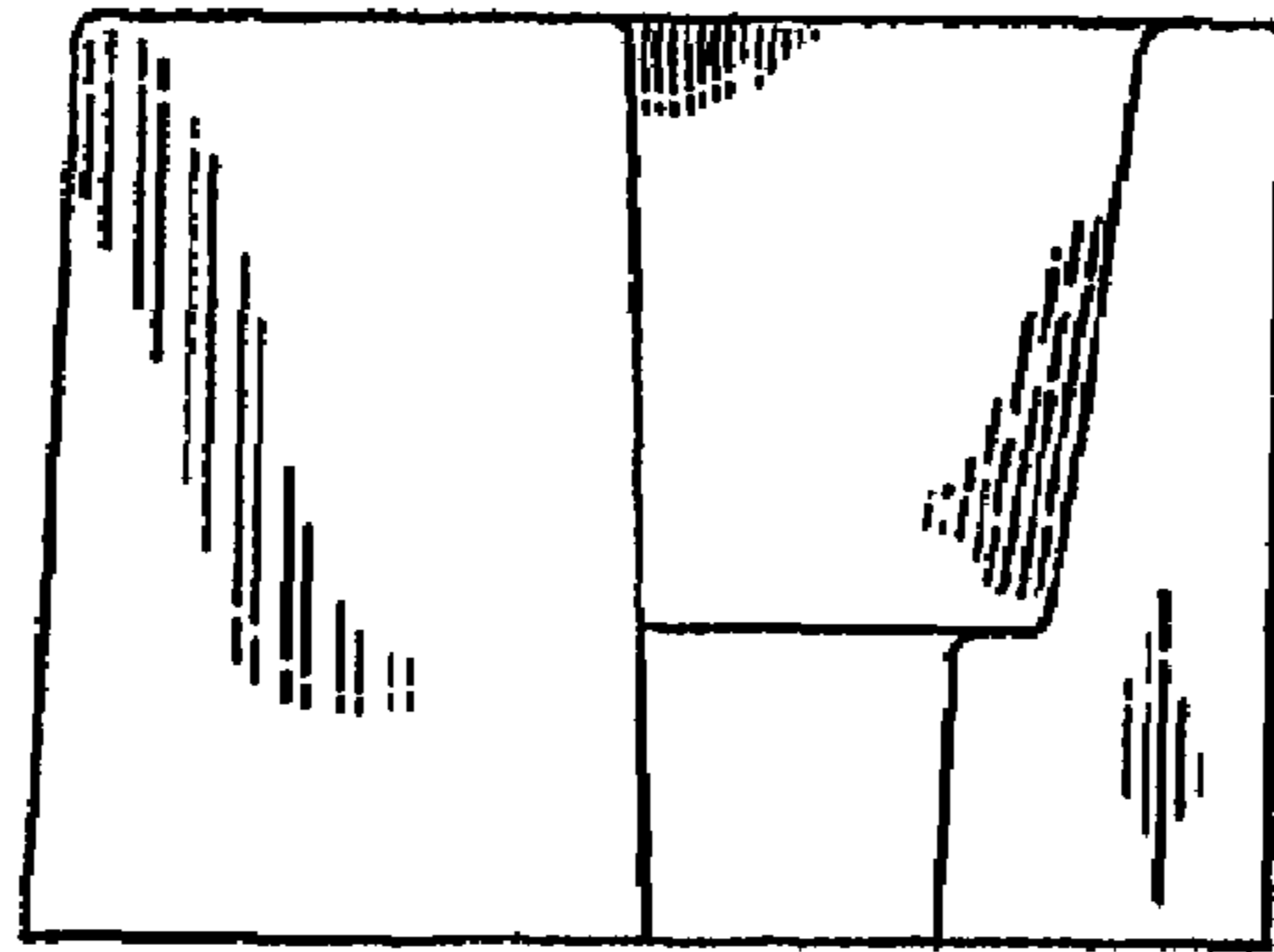


FIG. 5

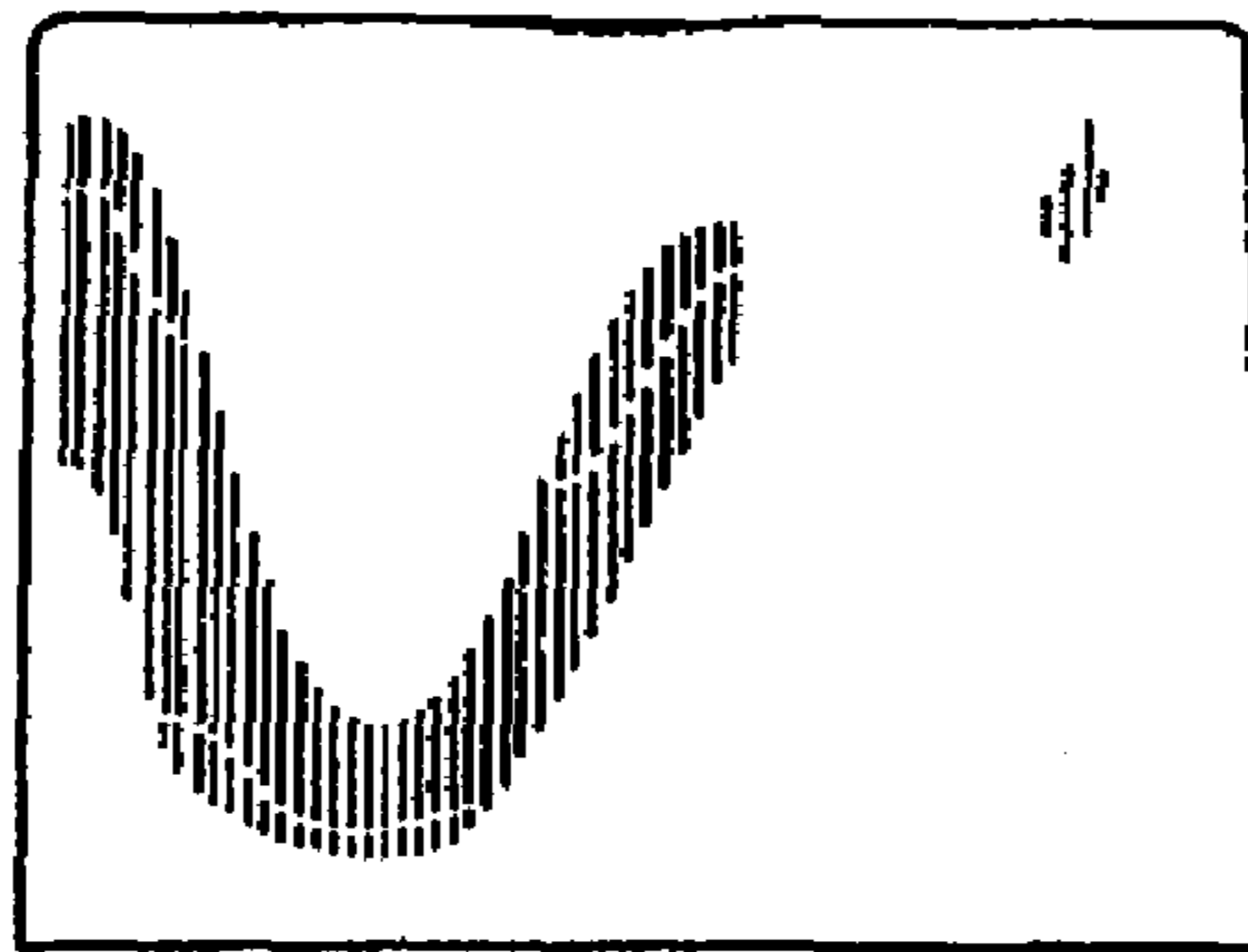


FIG. 6

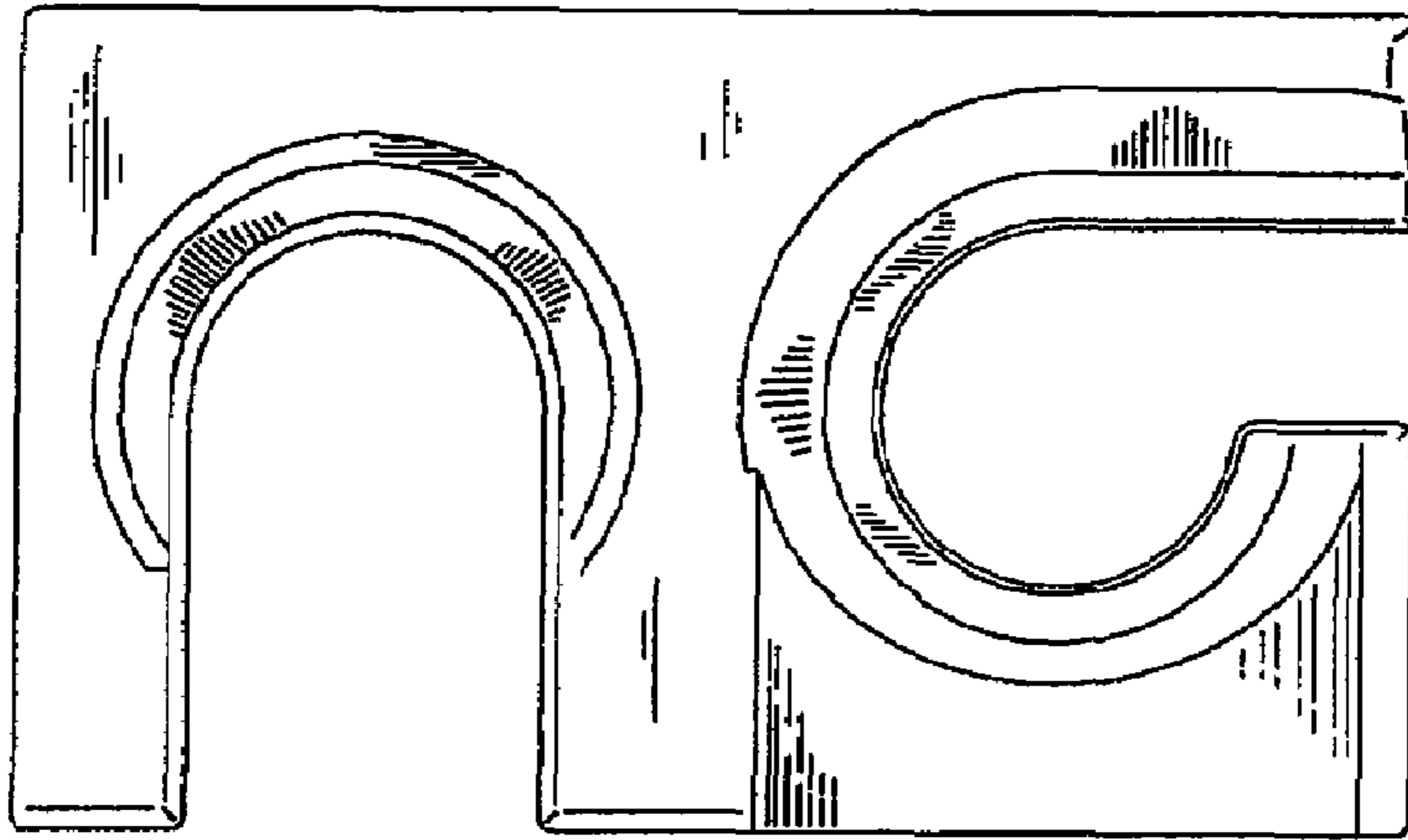


FIG. 7

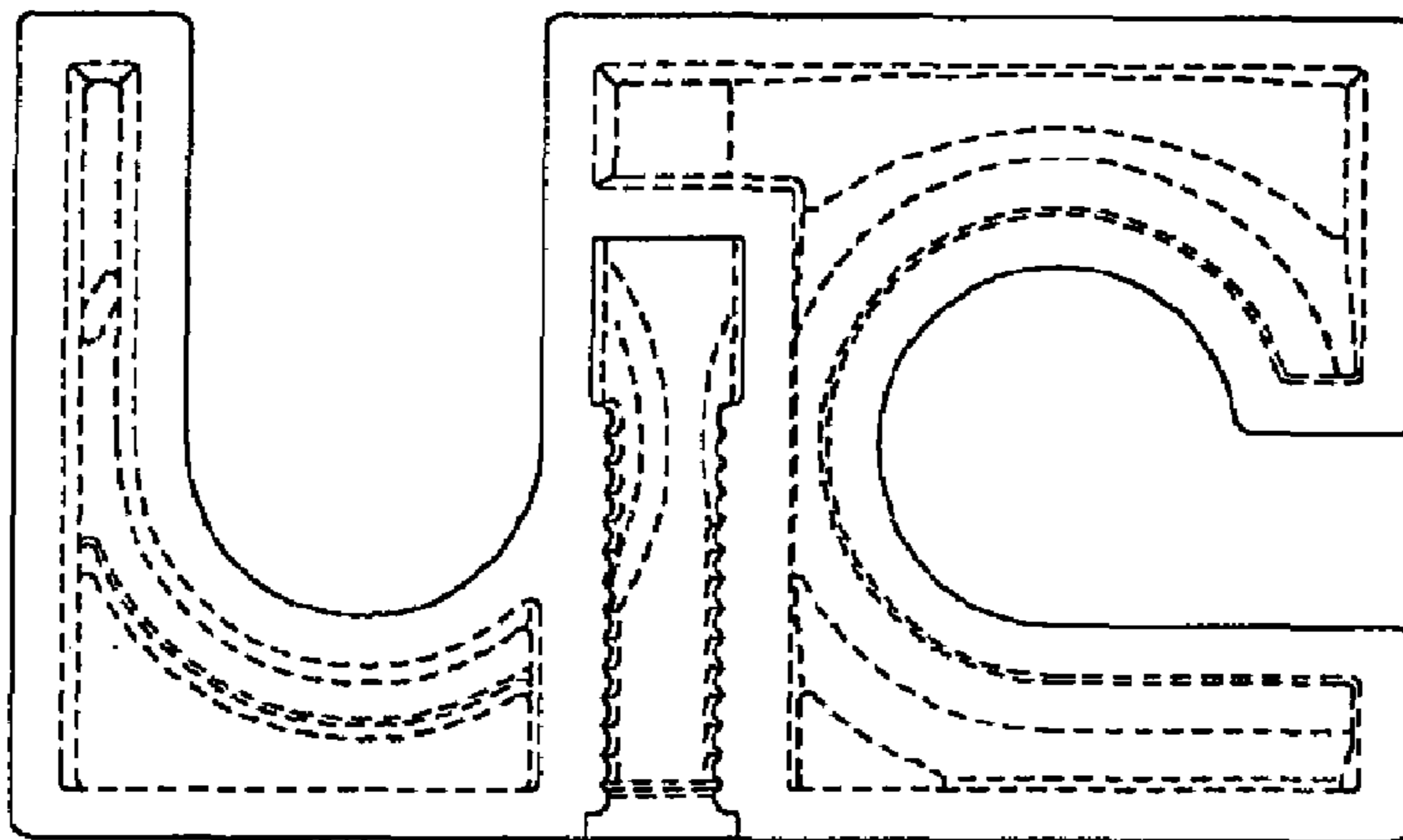


FIG. 8