



US00D602761S

(12) **United States Design Patent**  
**Sinisi et al.**

(10) **Patent No.:** **US D602,761 S**

(45) **Date of Patent:** **\*\* Oct. 27, 2009**

(54) **KEY**

(75) Inventors: **Erin R. Sinisi**, Spring, TX (US);  
**Rebecca C. Senn**, Tomball, TX (US);  
**Dean Schneider**, The Woodlands, TX (US)

(73) Assignee: **MiniMac LLC**, Spring, TX (US)

(\*\*) Term: **14 Years**

(21) Appl. No.: **29/338,286**

(22) Filed: **Jun. 8, 2009**

(51) **LOC (9) Cl.** ..... **08-07**

(52) **U.S. Cl.** ..... **D8/347**

(58) **Field of Classification Search** ..... D8/347,  
D8/348; 70/347, 271, 278.2, 336, 344, 348,  
70/357, 382, 393, 429, 402-414, 469, 448  
See application file for complete search history.

(56) **References Cited**

U.S. PATENT DOCUMENTS

107,360	A	*	9/1870	Feyh	.....	280/140
145,370	A	*	12/1873	Stein	.....	70/134
D7,788	S	*	10/1874	Runyon	.....	D8/347
316,132	A	*	4/1885	Doubler	.....	70/143
743,475	A	*	11/1903	Paust	.....	70/81
D36,741	S	*	1/1904	Oaley	.....	D8/347
D89,647	S	*	4/1933	Johnson	.....	D5/47

D155,297	S	*	9/1949	Kushner	.....	D8/82
D161,883	S	*	2/1951	Tashman	.....	D11/83
D529,370	S	*	10/2006	Parsons	.....	D8/347
D532,677	S	*	11/2006	Daugherty	.....	D8/347
D533,438	S	*	12/2006	Daugherty	.....	D8/347
D566,524	S	*	4/2008	Daas	.....	D8/347

\* cited by examiner

*Primary Examiner*—Prabhakar Deshmukh

(74) *Attorney, Agent, or Firm*—Wong, Cabello, Lutsch, Rutherford & Bruculeri, LLP

(57) **CLAIM**

The ornamental design for a key, as shown.

**DESCRIPTION**

The claimed decorative key is intended to open the lock on a casket or the like. The key may also be worn as a pendant on a necklace or a bracelet.

FIG. 1 is a front elevational view of a key showing our new design;

FIG. 2 is a left side elevational view thereof;

FIG. 3 is a right side elevational view thereof;

FIG. 4 is a top plan view thereof;

FIG. 5 is a bottom plan view thereof; and,

FIG. 6 is a rear elevational view thereof.

**1 Claim, 1 Drawing Sheet**

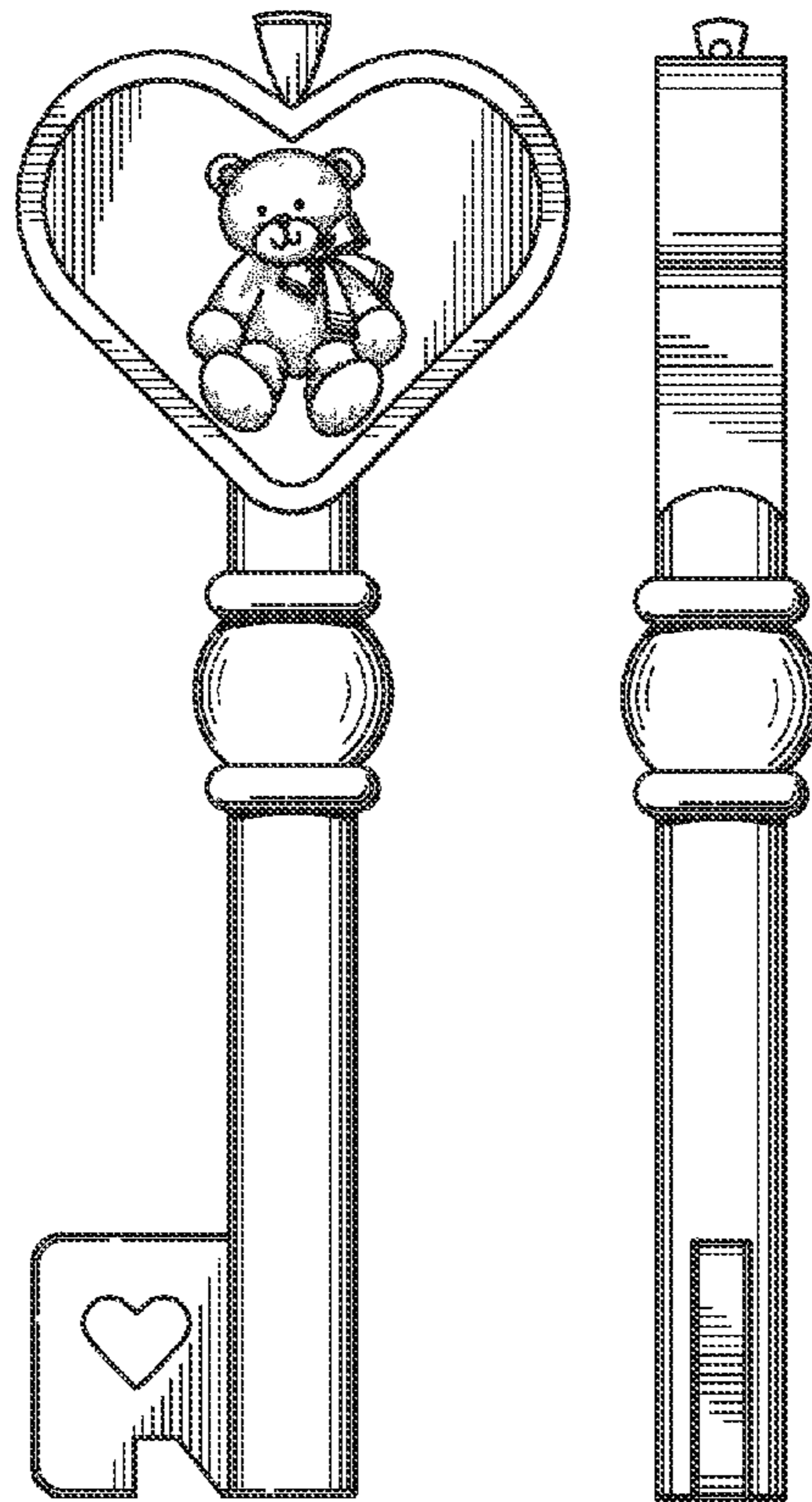


FIG. 4

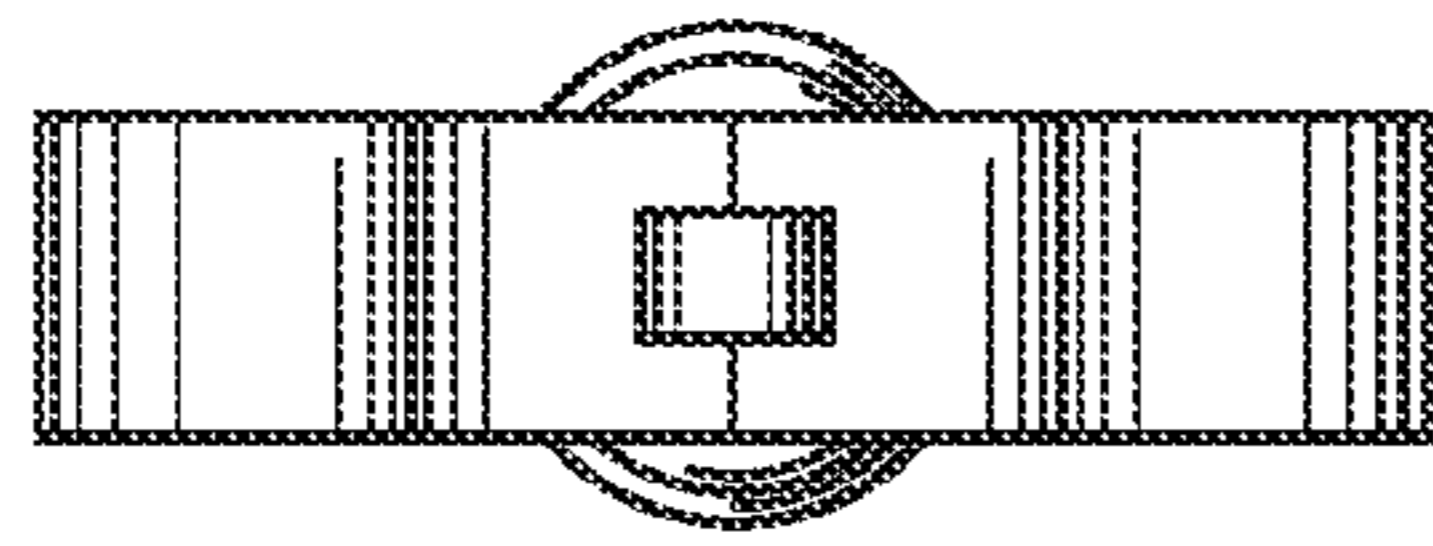


FIG. 1

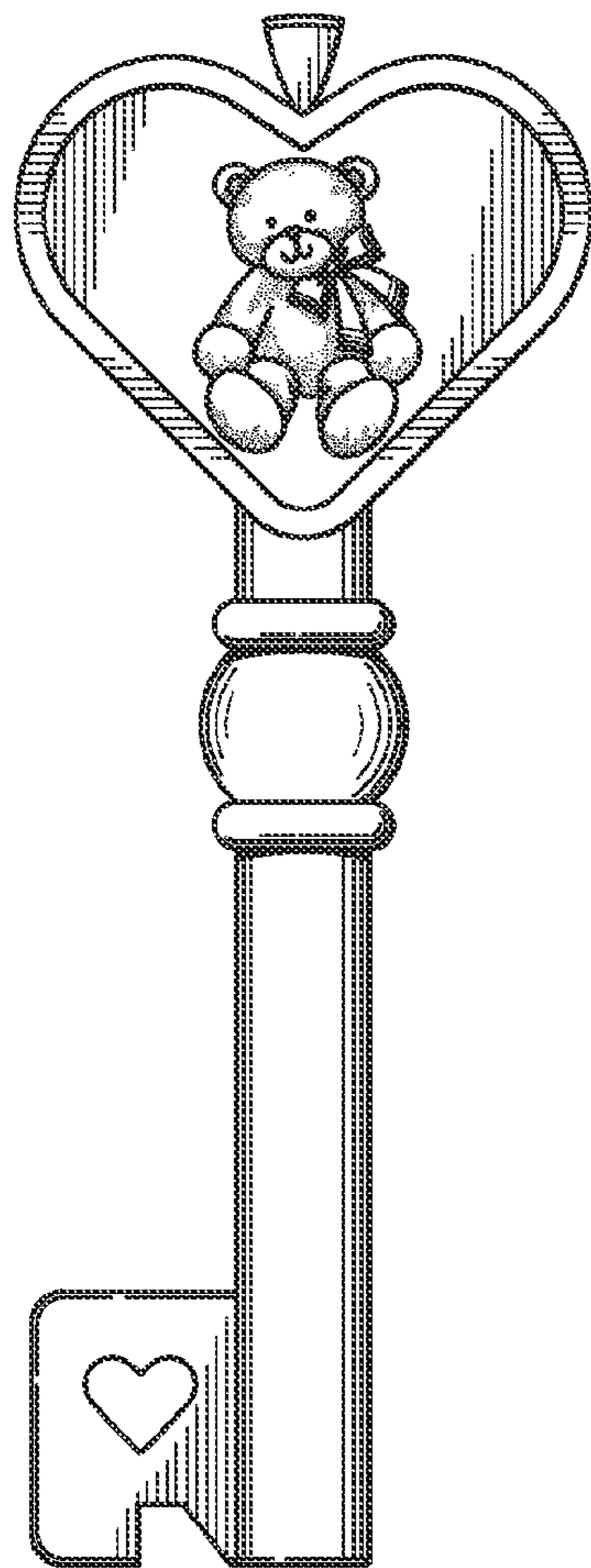


FIG. 6

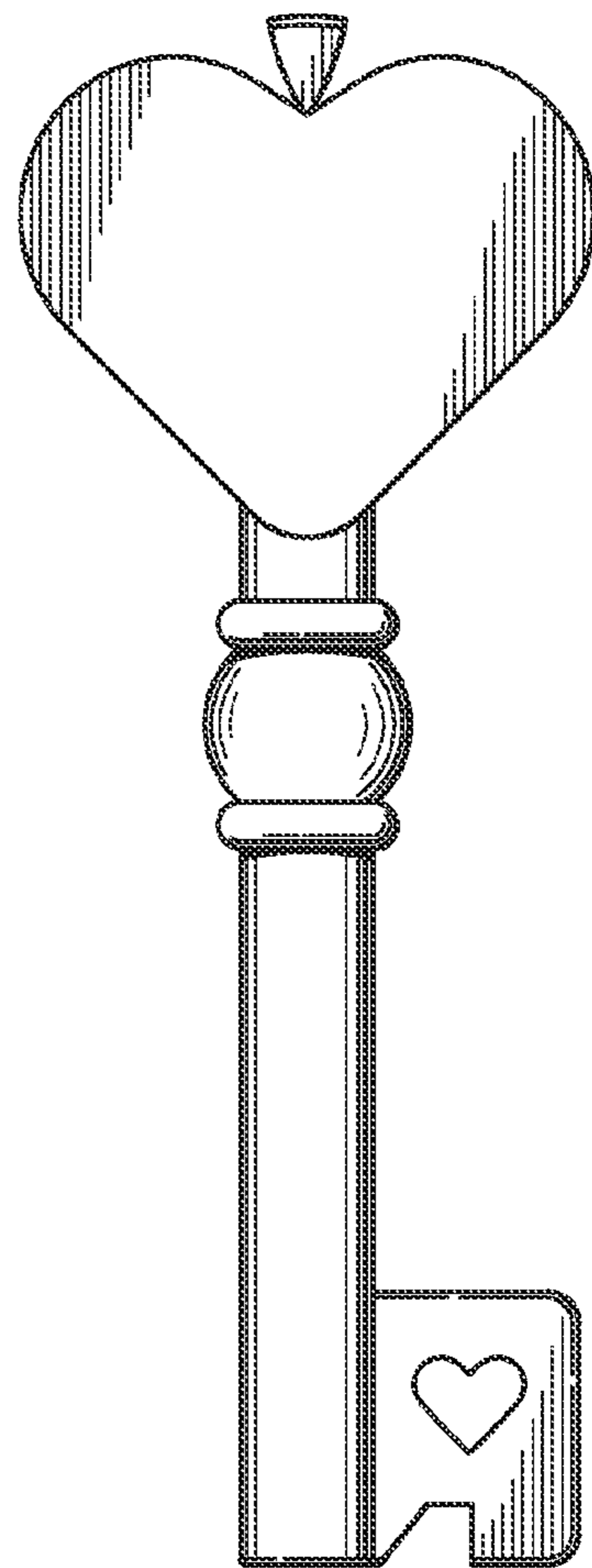


FIG. 2

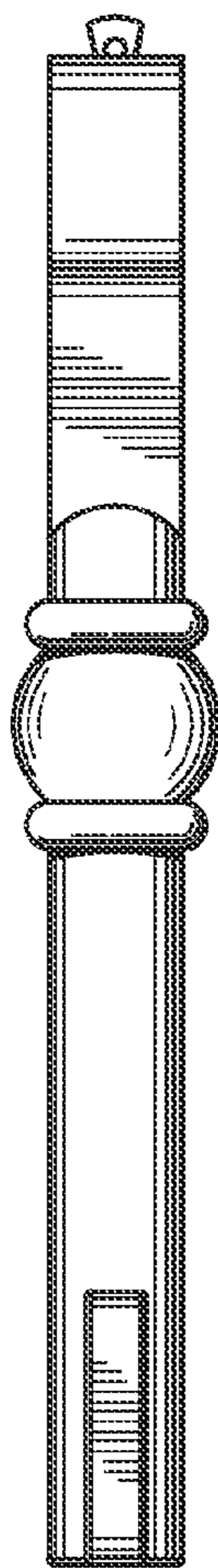


FIG. 3

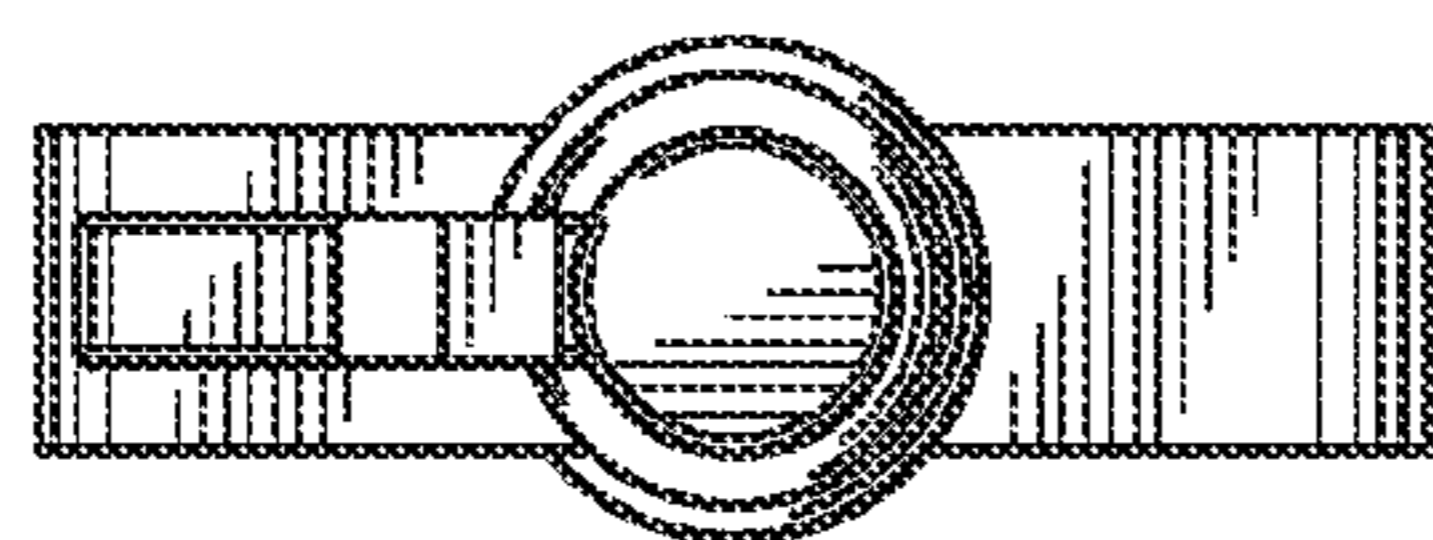


FIG. 5