

US00D602757S

(12) **United States Design Patent**
Kishida et al.

(10) **Patent No.:** **US D602,757 S**

(45) **Date of Patent:** **** Oct. 27, 2009**

(54) **UTILITY KNIFE**

(75) Inventors: **Masaki Kishida**, Kyoto (JP); **Mitsuhiro Takamasa**, Kameoka (JP)

(73) Assignee: **Murate-KDS Corp.**, Kyoto-shi (JP)

(**) Term: **14 Years**

(21) Appl. No.: **29/309,501**

(22) Filed: **Aug. 25, 2008**

(30) **Foreign Application Priority Data**

Feb. 26, 2008 (JP) 2008-004298

(51) **LOC (9) Cl.** **08-03**

(52) **U.S. Cl.** **D8/99**

(58) **Field of Classification Search** D8/98,
D8/99; 30/162, 320, 335, 336, 337, 125
See application file for complete search history.

(56) **References Cited**

U.S. PATENT DOCUMENTS

5,495,670 A * 3/1996 Quinn 30/162
D374,597 S * 10/1996 Birkholz et al. D8/99
D386,959 S * 12/1997 Okada D8/99
D399,721 S * 10/1998 Torre D8/99
D459,189 S * 6/2002 Chong D8/99
D472,786 S * 4/2003 Cech et al. D8/97

D497,301 S * 10/2004 Kondo et al. D8/99
D499,948 S * 12/2004 Kondo et al. D8/99
D517,894 S * 3/2006 Kondo et al. D8/99
D523,316 S * 6/2006 Kondo et al. D8/99
D559,651 S * 1/2008 Takamasa D8/99
D567,622 S * 4/2008 Takamasa D8/99

* cited by examiner

Primary Examiner—Philip S Hyder

(74) *Attorney, Agent, or Firm*—Birch, Stewart, Kolasch & Birch LLP

(57) **CLAIM**

The ornamental design for a utility knife, as shown.

DESCRIPTION

FIG. 1 is a perspective view of a utility knife showing our new design;

FIG. 2 is a front view thereof;

FIG. 3 is a rear view thereof;

FIG. 4 is a top plan view thereof;

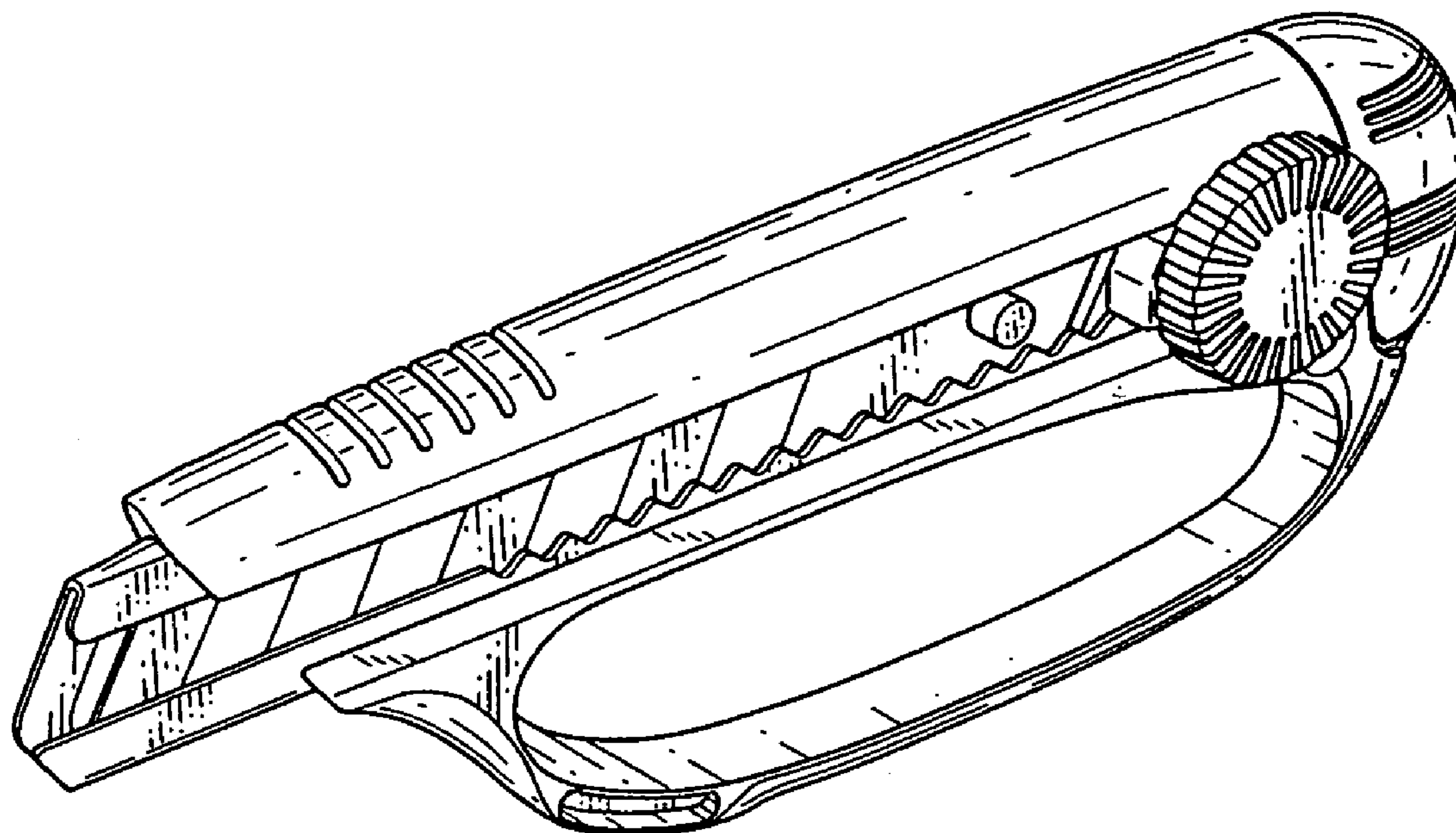
FIG. 5 is a bottom plan view thereof;

FIG. 6 is a right side view thereof; and,

FIG. 7 is a left side view thereof.

The broken line show portions of the utility knife that form no part of the claimed design.

1 Claim, 4 Drawing Sheets



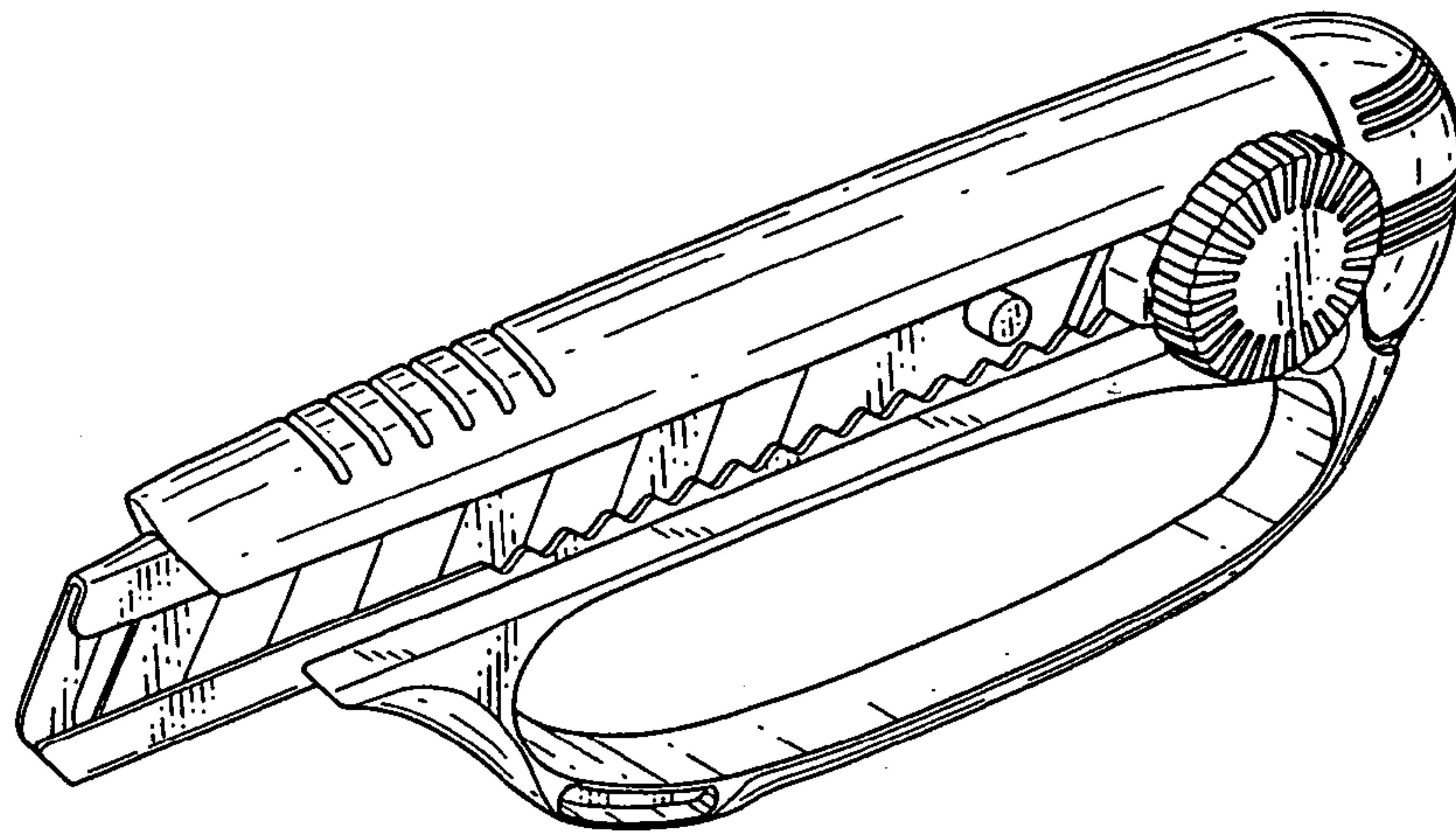


Fig. 1

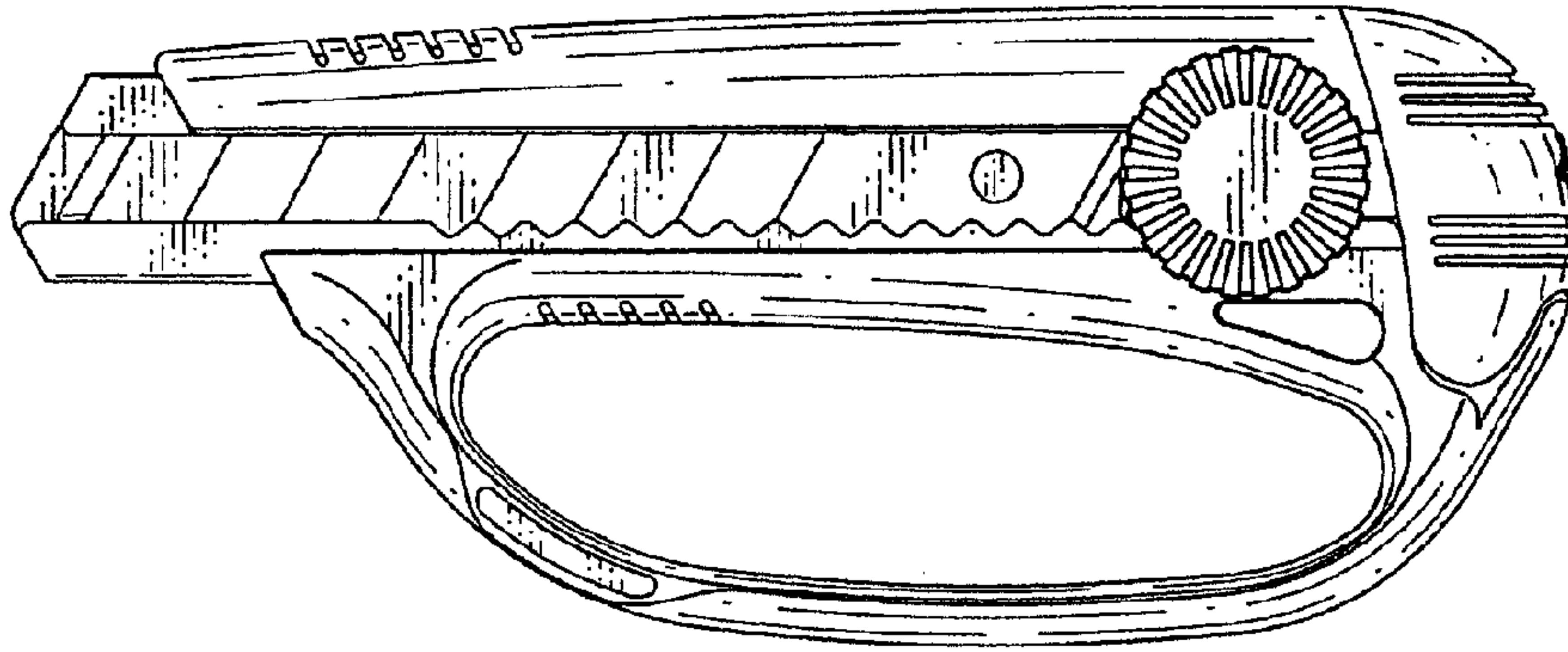


Fig. 2

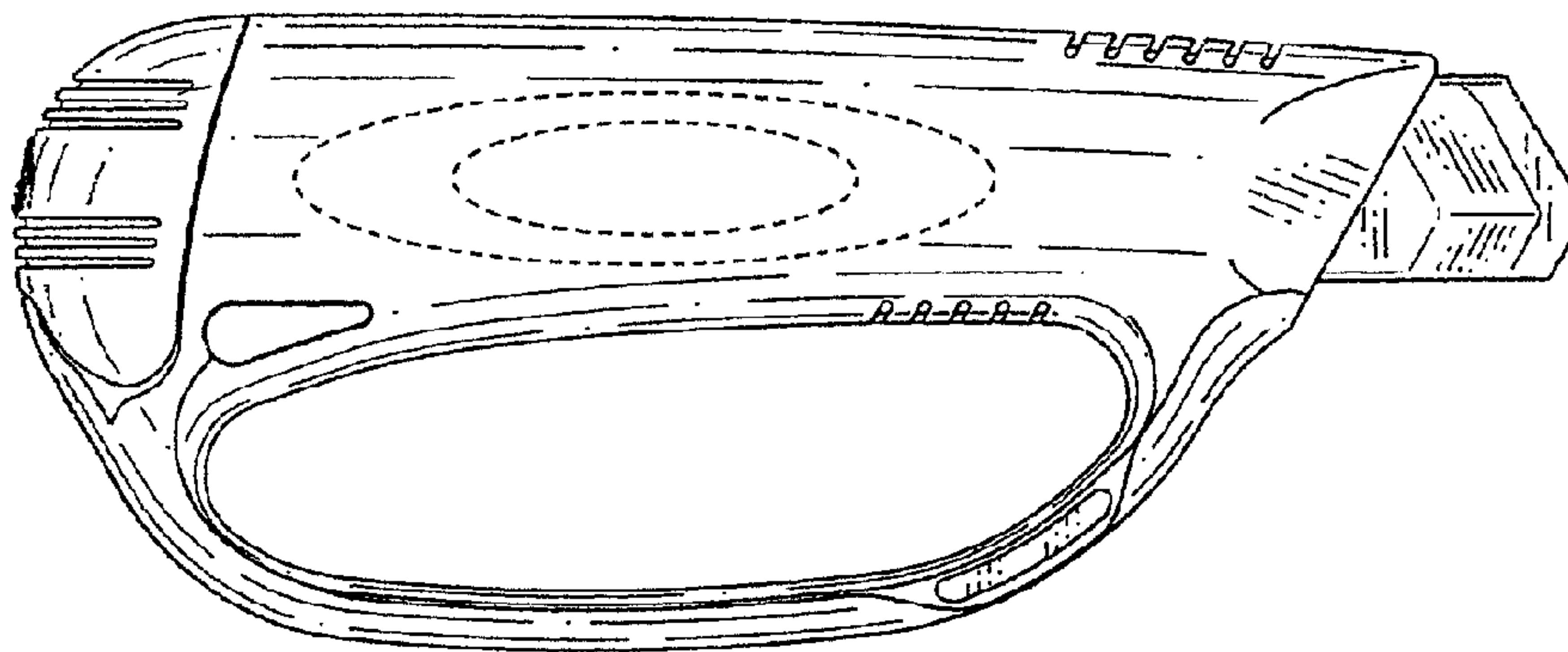


Fig. 3

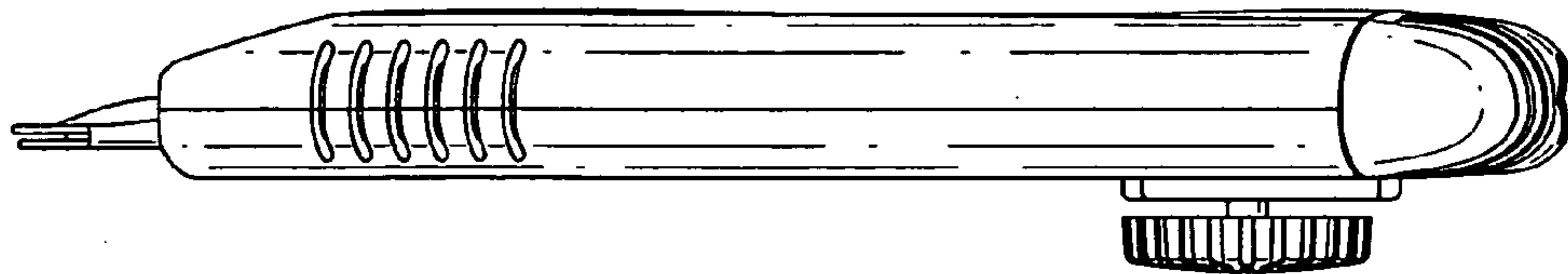


Fig. 4

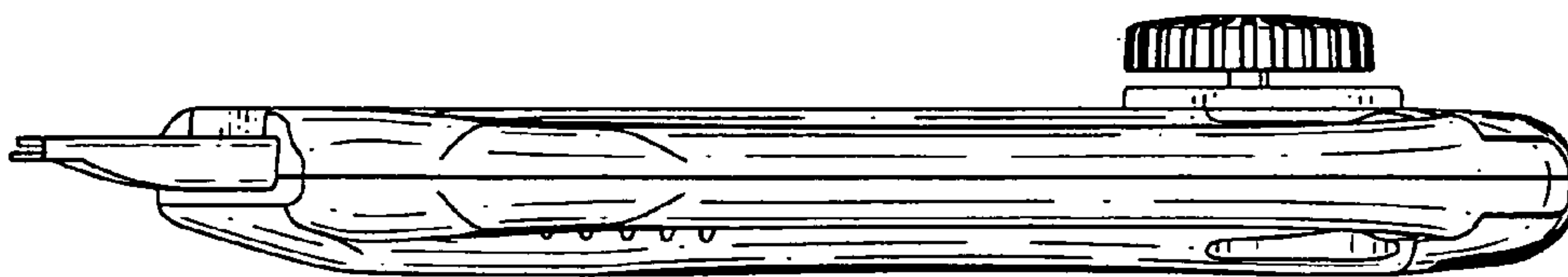


Fig. 5

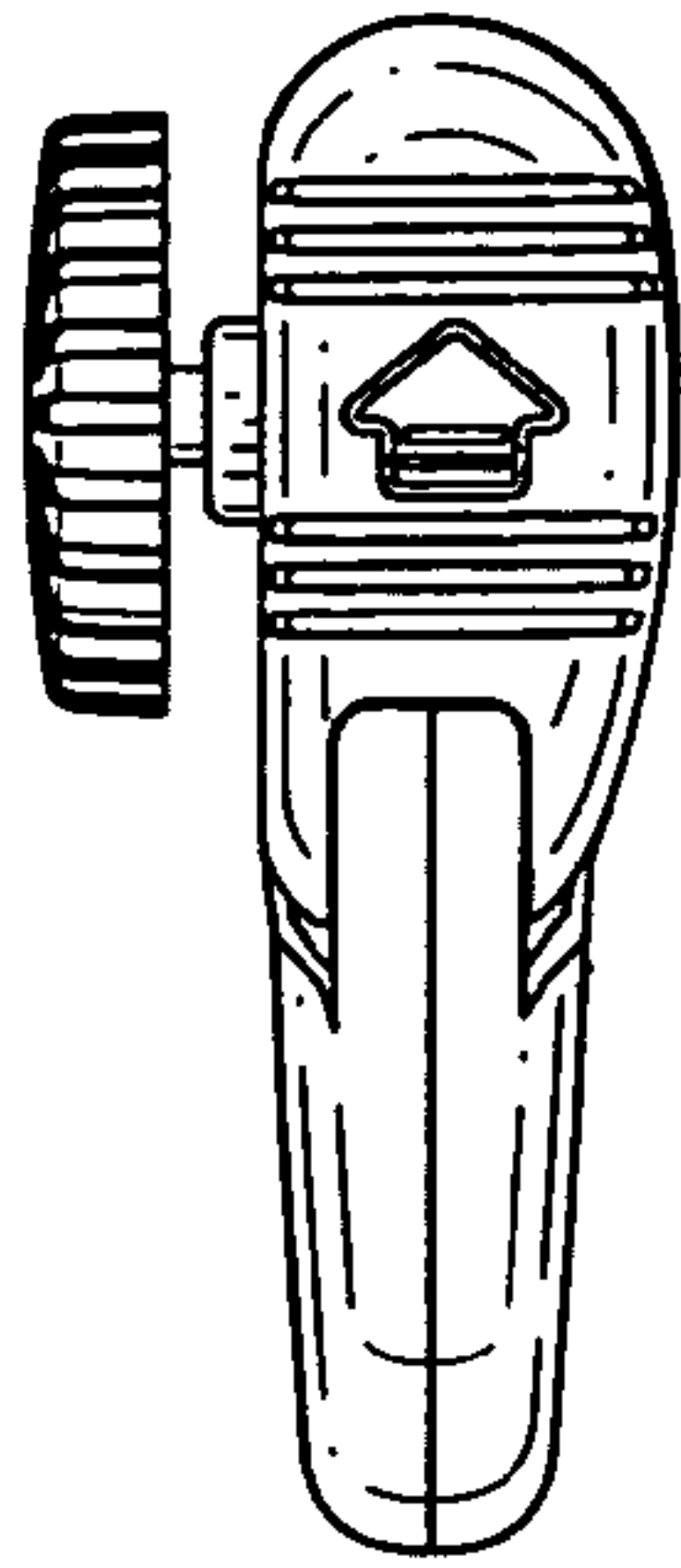


Fig. 6

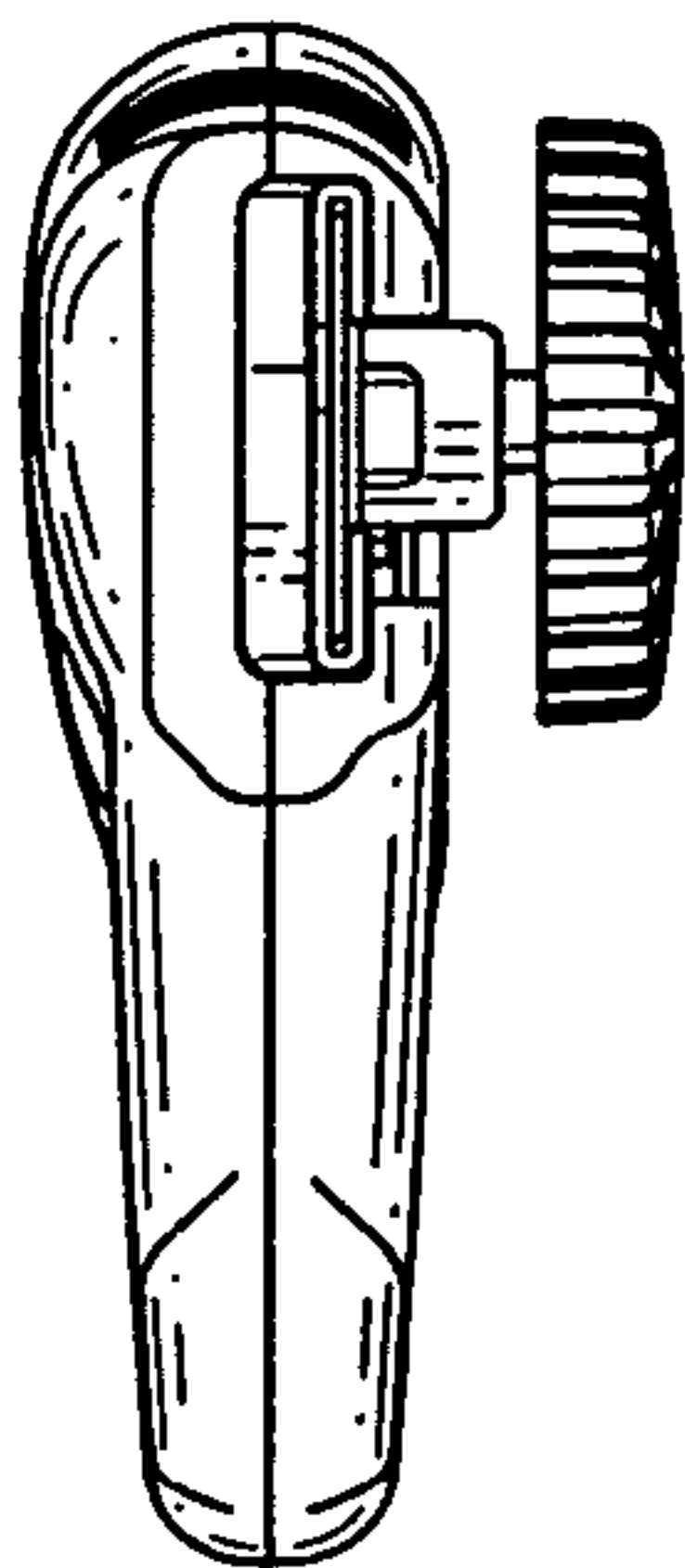


Fig. 7