



US00D602755S

(12) **United States Design Patent**  
**Junkers**

(10) **Patent No.:** **US D602,755 S**

(45) **Date of Patent:** **\*\* Oct. 27, 2009**

(54) **TORQUE WRENCH**

7,062,993 B2 \* 6/2006 Shaw et al. .... 81/57.39

(76) Inventor: **John K. Junkers**, 14 Algonquin Trail,  
Saddle River, NJ (US) 07458

\* cited by examiner

*Primary Examiner*—Cathron C Brooks

*Assistant Examiner*—Austin Murphy

(74) *Attorney, Agent, or Firm*—Michael J. Striker

(\*\*) Term: **14 Years**

(21) Appl. No.: **29/335,450**

(57) **CLAIM**

(22) Filed: **Apr. 16, 2009**

The ornamental design for a torque wrench, as shown and described.

(51) **LOC (9) Cl.** ..... **08-04**

(52) **U.S. Cl.** ..... **D8/61; D8/24**

(58) **Field of Classification Search** ..... D8/21,  
D8/24, 25, 29, 68; 73/862.21, 862.22; 464/25,  
464/35; 81/467, 478, 479, 57.39

See application file for complete search history.

**DESCRIPTION**

FIG. 1 is a perspective view of a torque wrench showing my new design, with the sliding bolt in the right side position;

FIG. 2 is a front view thereof;

FIG. 3 is a side view thereof, showing the opposite side of the side disclosed in FIG. 1 and which is a mirror image thereof;

FIG. 4 is a rear view thereof;

FIG. 5 is a bottom view thereof; and,

FIG. 6 is a top view thereof.

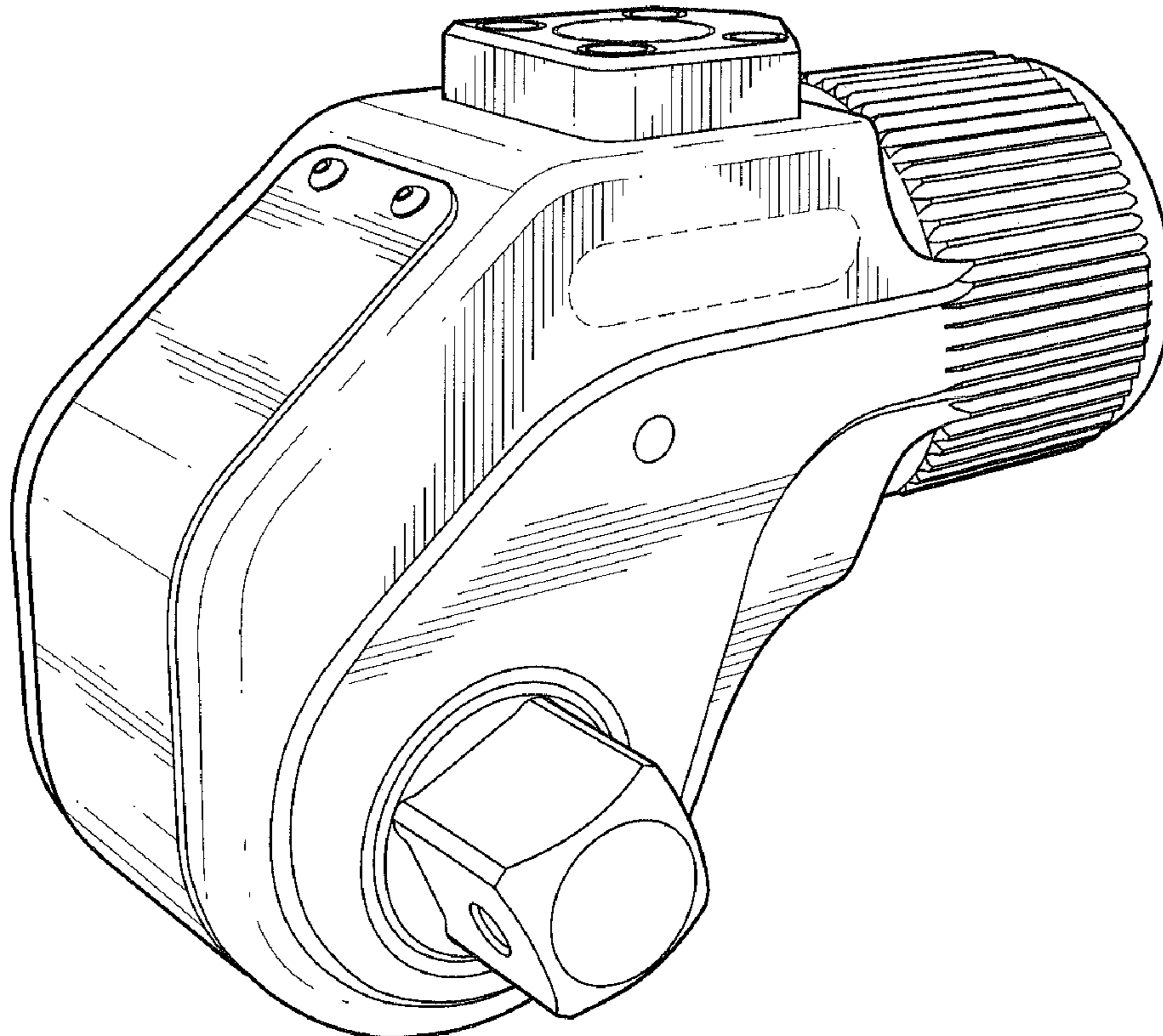
The broken lines shown in the drawings represent unclaimed portions of the torque wrench and form no part of the claimed design.

(56) **References Cited**

U.S. PATENT DOCUMENTS

4,619,160	A *	10/1986	Meyer	.....	81/57.39
4,805,496	A *	2/1989	Wagner et al.	.....	81/57.39
4,825,730	A *	5/1989	Junkers	.....	81/57.39
D465,394	S *	11/2002	Junkers	.....	D8/61
D491,435	S *	6/2004	Junkers	.....	D8/61
D491,436	S *	6/2004	Junkers	.....	D8/61

**1 Claim, 5 Drawing Sheets**



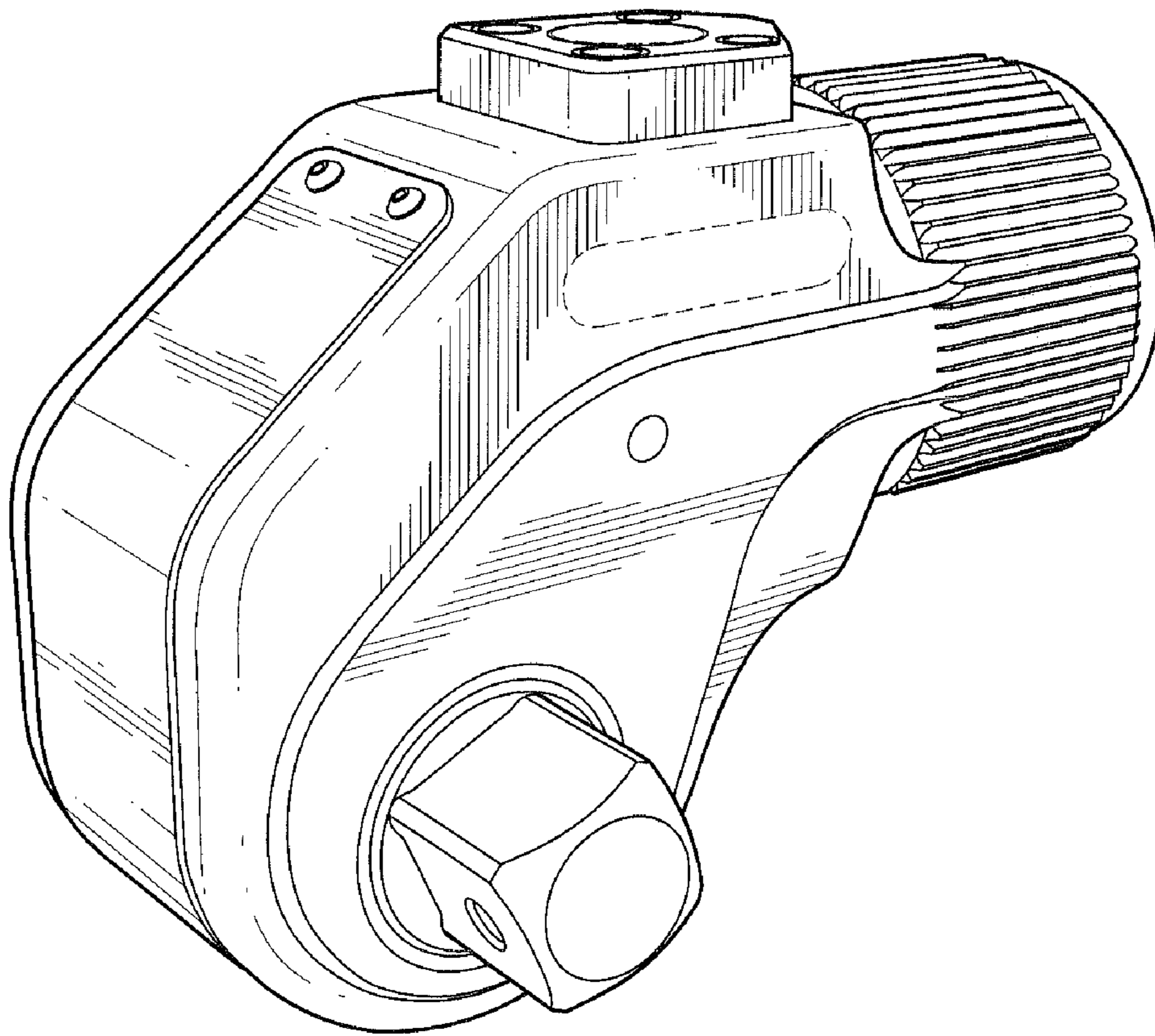


FIG. 1

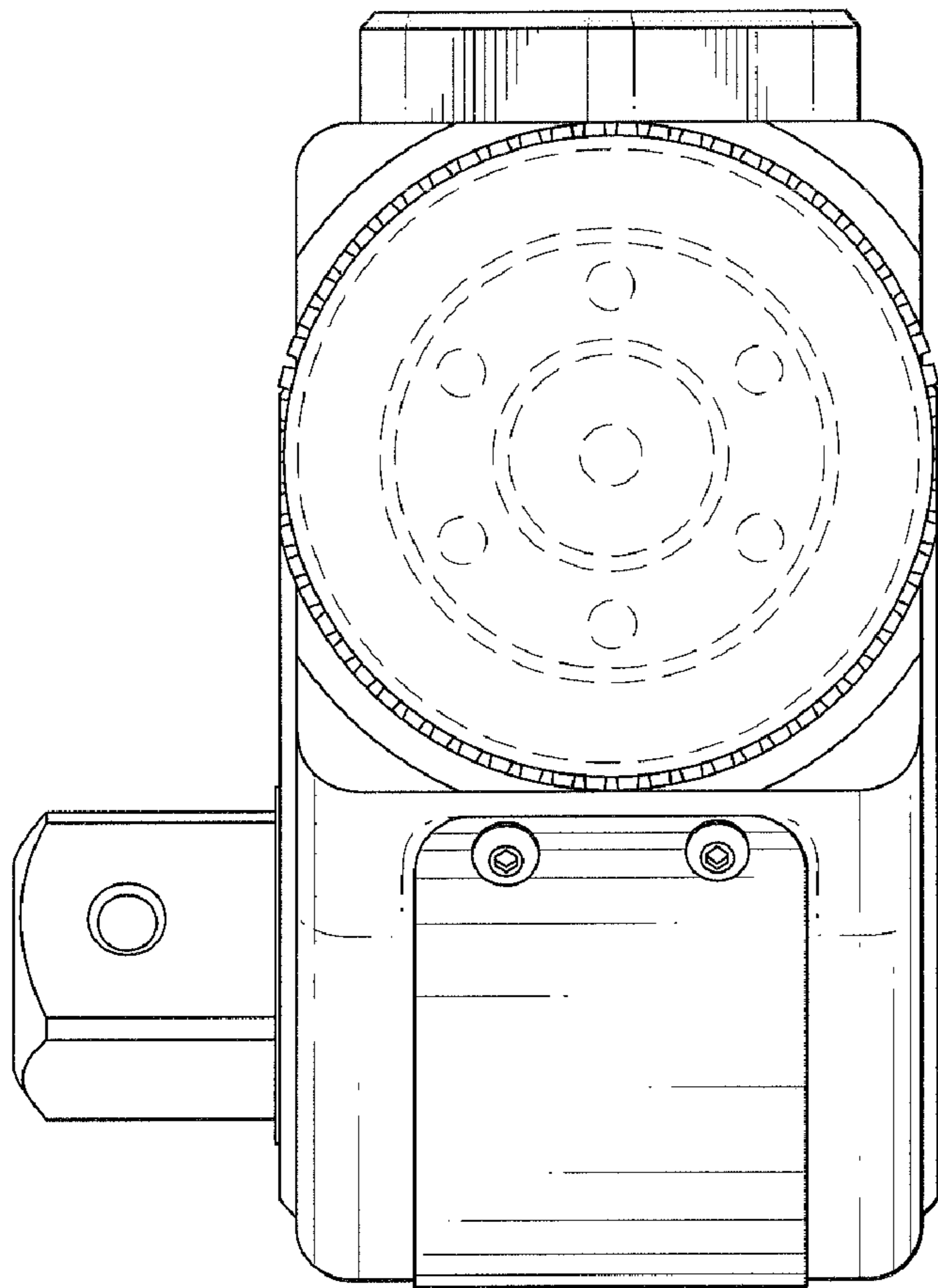


FIG. 2

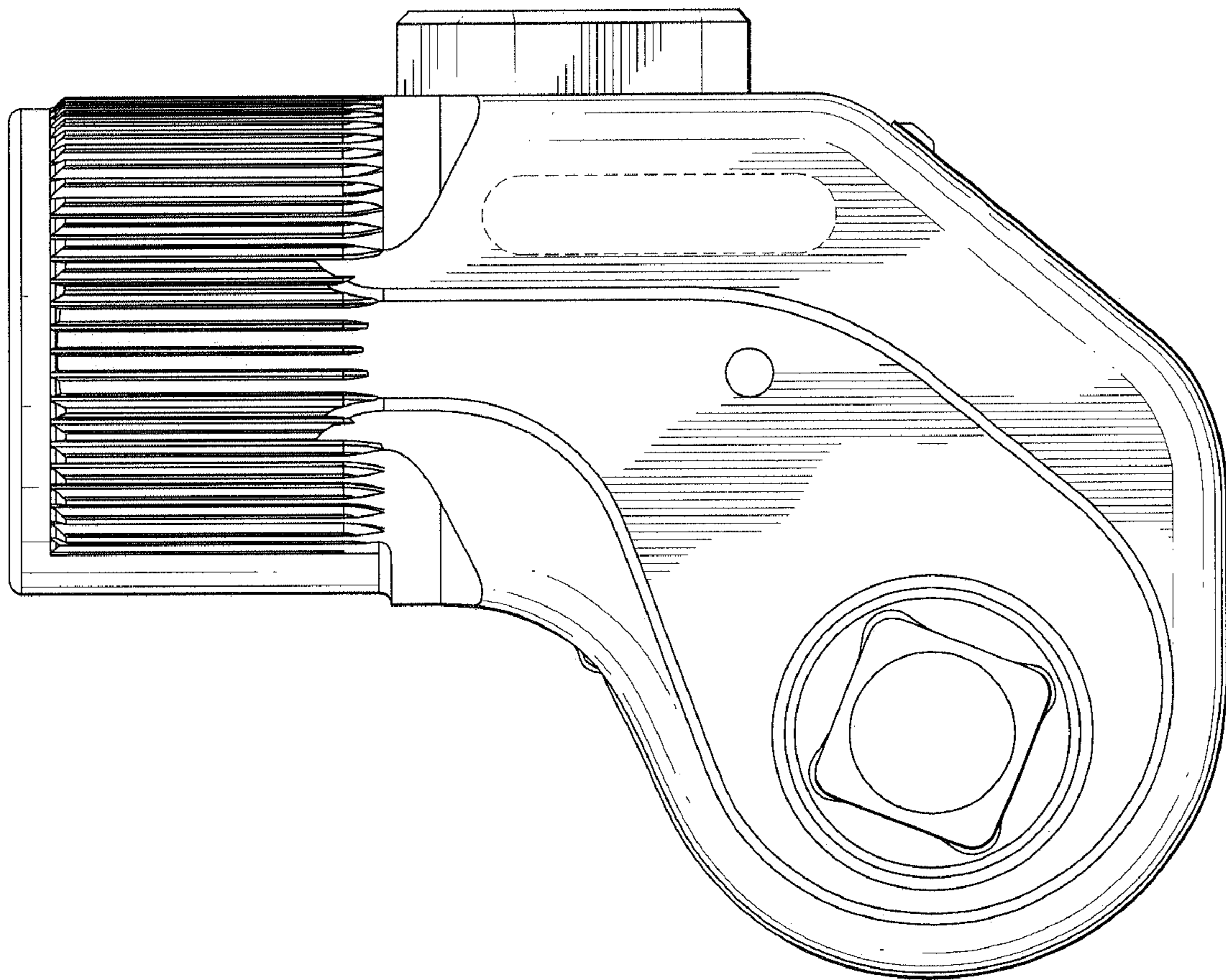


FIG. 3

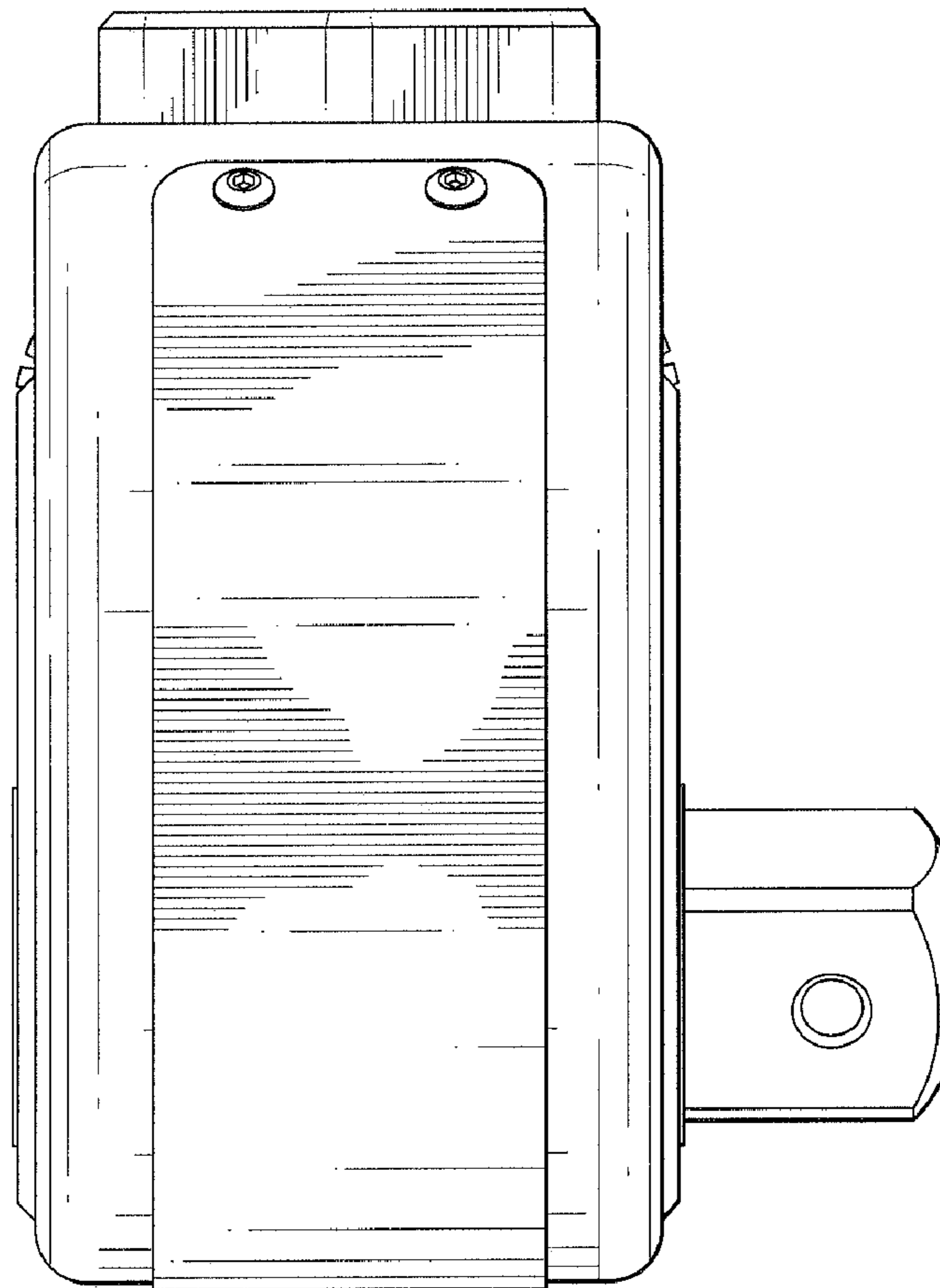


FIG.4

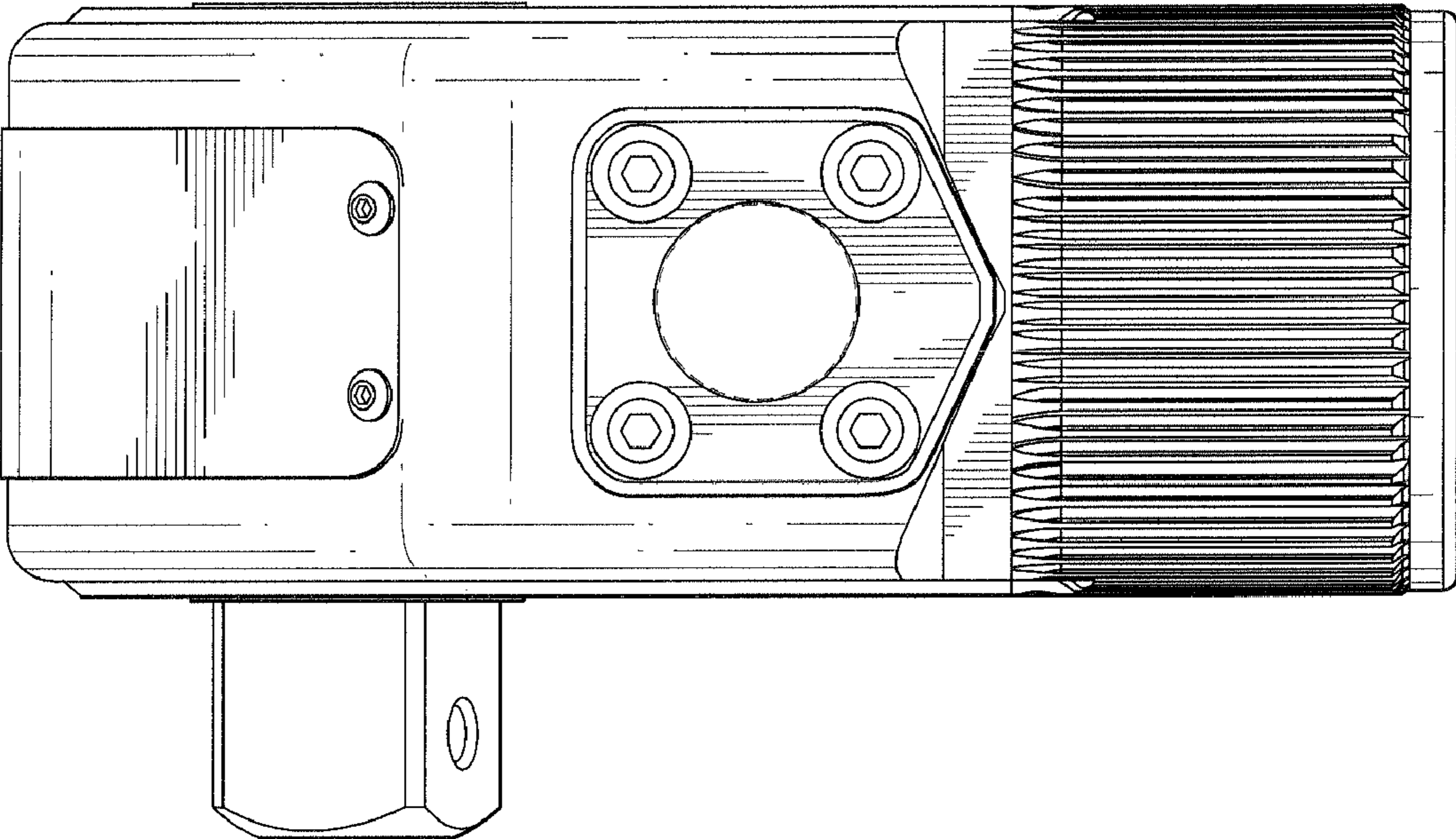


FIG. 5

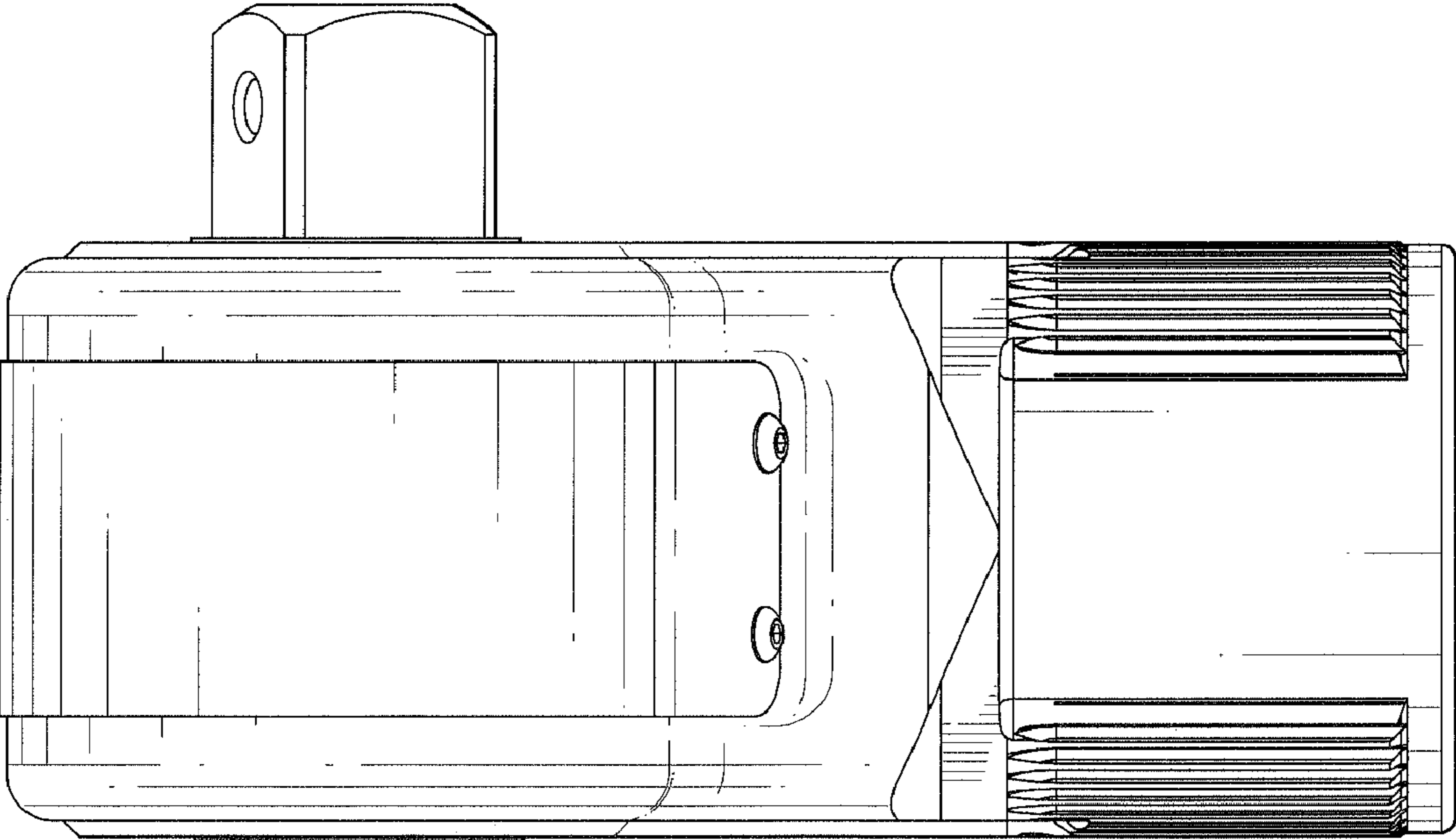


FIG. 6