



US00D602752S

(12) **United States Design Patent**
Luciano, Jr. et al.

(10) **Patent No.:** **US D602,752 S**
(45) **Date of Patent:** **** Oct. 27, 2009**

(54) **CUTTING BLADE FOR SEPARABLE POUCH**

(76) Inventors: **Robert A. Luciano, Jr.**, 5875 Tyrone Rd., Reno, NV (US) 89502; **Robert A. Luciano**, 5875 Tyrone Rd., Reno, NV (US) 89502; **Larry Luciano**, 5875 Tyrone Rd., Reno, NV (US) 89502

(**) Term: **14 Years**

(21) Appl. No.: **29/298,930**

(22) Filed: **Dec. 14, 2007**

(51) **LOC (9) Cl.** **08-03**

(52) **U.S. Cl.** **D8/20**

(58) **Field of Classification Search** D8/16,
D8/18-20, 64, 95-104; D22/117, 118; D24/146;
7/118, 148; 30/142, 144, 165, 166.3, 272.1,
30/314, 320, 346, 346.5, 346.55, 346.56,
30/349, 351, 355-357

See application file for complete search history.

(56) **References Cited**

U.S. PATENT DOCUMENTS

D237,452 S	11/1975	Hall et al.	
D338,607 S	8/1993	Anderson	
D400,412 S *	11/1998	Gold	D8/20
D422,185 S	4/2000	Gold	
D455,057 S *	4/2002	Medhurst	D8/20

D555,443 S *	11/2007	Hunt	D8/20
D568,126 S *	5/2008	Allem	D8/20
D582,229 S *	12/2008	Johnson	D8/20
2007/0157476 A1 *	7/2007	Hunt	30/355
2008/0256808 A1 *	10/2008	Levine et al.	30/162

* cited by examiner

Primary Examiner—Caron Veynar

Assistant Examiner—Garth Rademaker

(74) *Attorney, Agent, or Firm*—Kerr IP Group; Michael A. Kerr

(57) **CLAIM**

The ornamental design for a cutting blade for separable pouch, as shown.

DESCRIPTION

FIG. 1 is a bottom, isometric view of a cutting blade for separable pouch;

FIG. 2 is a top isometric view thereof;

FIG. 3 is a front view thereof;

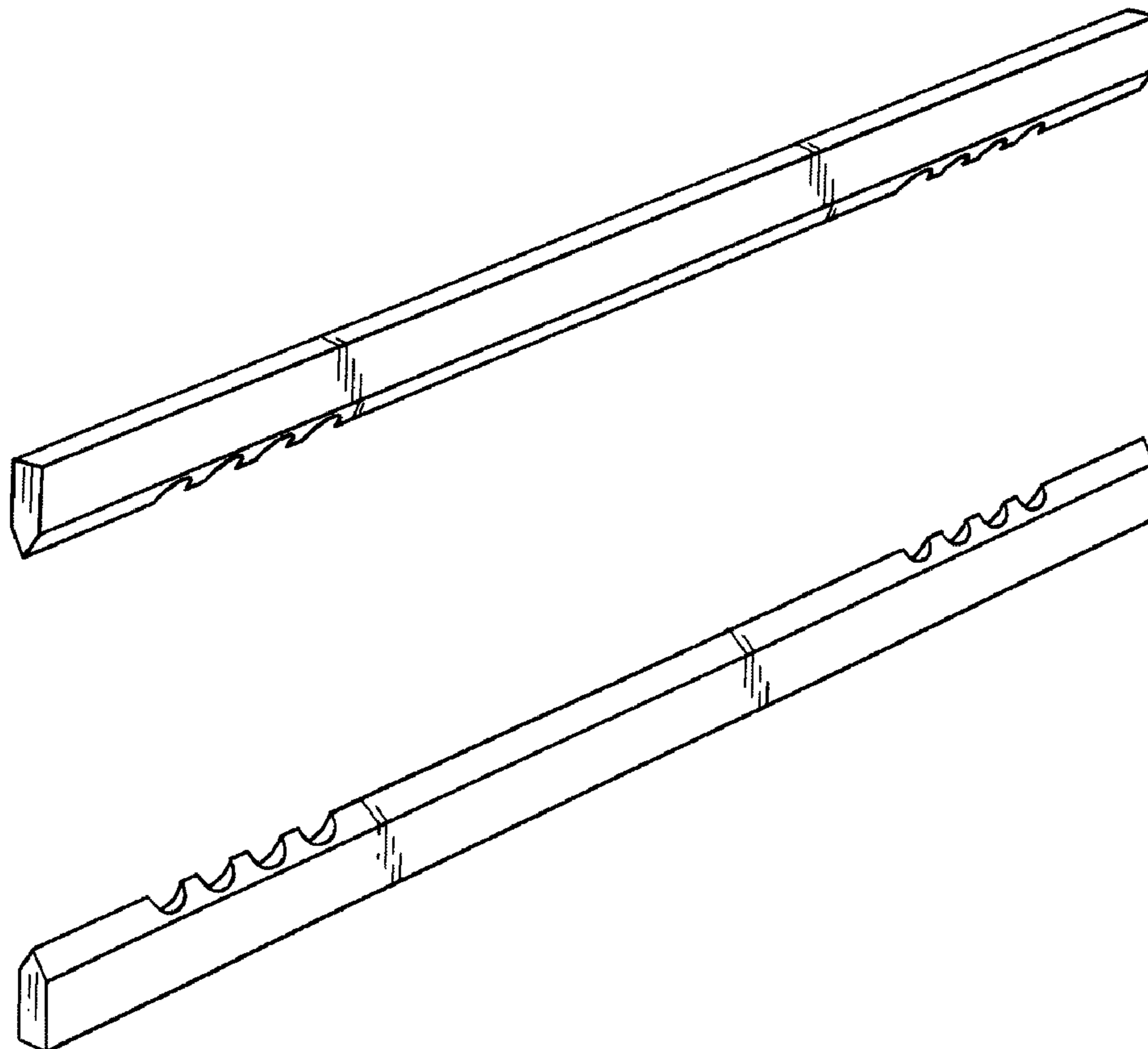
FIG. 4 is a rear view thereof;

FIG. 5 is a top view thereof;

FIG. 6 is a bottom view thereof; and,

FIG. 7 is a right side elevational view thereof.

1 Claim, 1 Drawing Sheet



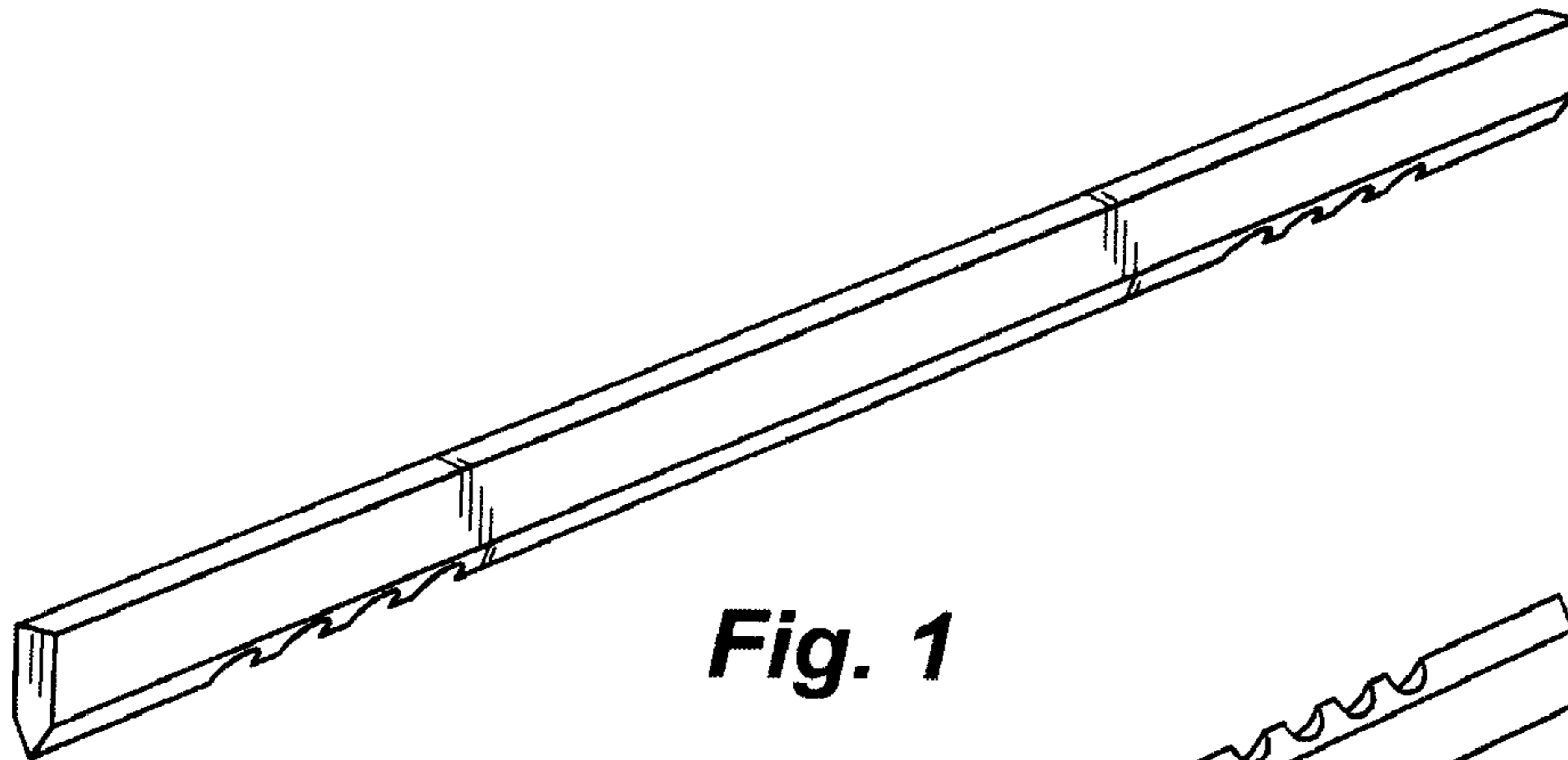


Fig. 1

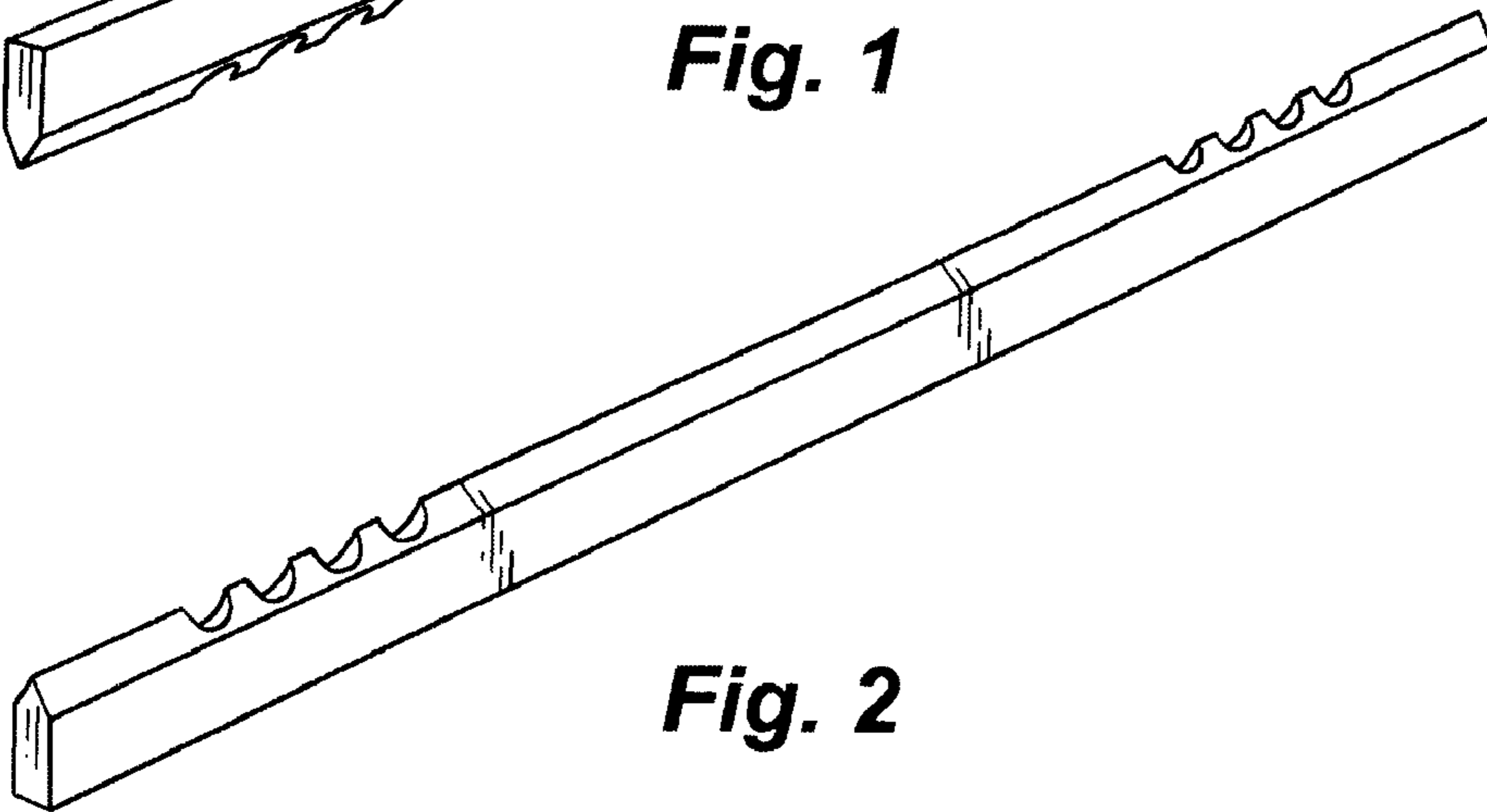


Fig. 2

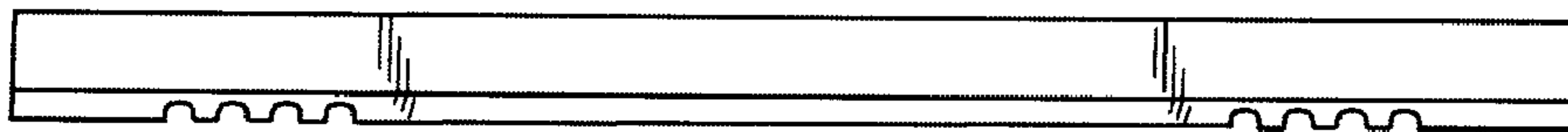


Fig. 3

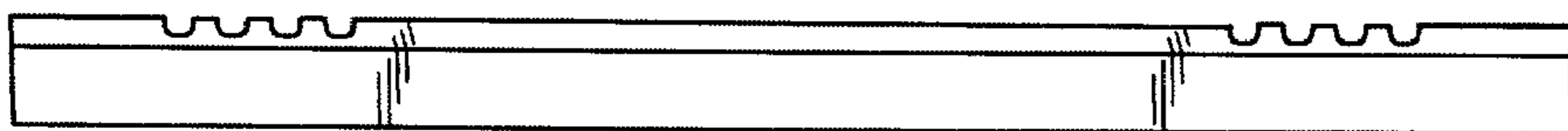


Fig. 4

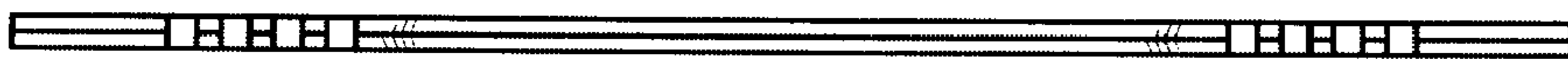


Fig. 5



Fig. 6



Fig. 7