



US00D602745S

(12) **United States Design Patent**
Carter

(10) **Patent No.:** **US D602,745 S**

(45) **Date of Patent:** **** Oct. 27, 2009**

(54) **DRINK HOLDER**

D543,789 S * 6/2007 Gilley et al D7/606

(75) Inventor: **Kevin Carter**, Toronto (CA)

* cited by examiner

(73) Assignee: **Top of the Line Sportswear Inc.**,
Toronto (CA)

Primary Examiner—Terry A Wallace
(74) *Attorney, Agent, or Firm*—Miller Thomson LLP

(**) Term: **14 Years**

(57) **CLAIM**

(21) Appl. No.: **29/332,152**

The ornamental design of a drink holder, as shown and described.

(22) Filed: **Feb. 10, 2009**

DESCRIPTION

(51) **LOC (9) Cl.** **07-01**

(52) **U.S. Cl.** **D7/606; D7/625**

(58) **Field of Classification Search** D7/619.1–625,
D7/603–608, 628; D29/113, 117, 123; 220/737,
220/739, 902, 903; 62/457.1–457.9, 529,
62/530

See application file for complete search history.

FIG. 1 is a perspective view of the drink holder with a drink.

FIG. 2 is a perspective view of the drink holder without a drink.

FIG. 3 is a bottom perspective view of the drink holder.

FIG. 4 is a front plan view of the drink holder.

FIG. 5 is a right side view of the drink holder.

FIG. 6 is a back plan view of the drink holder.

FIG. 7 is a left side plan view of the drink holder.

FIG. 8 is a top plan view of the drink holder; and,

FIG. 9 is a bottom plan view of the drink holder.

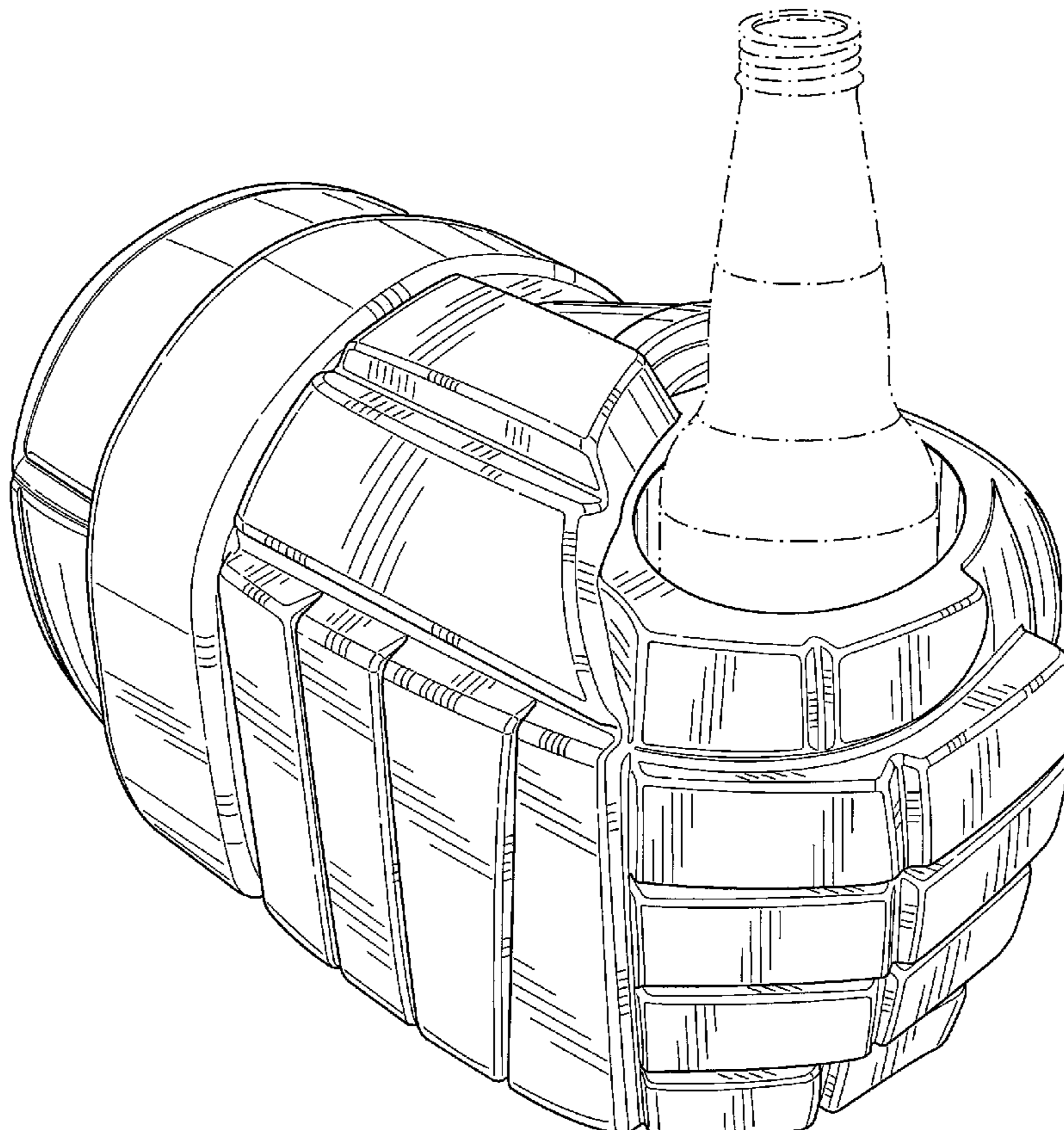
The broken lines are for illustrative purposes only and form no part of the claimed design.

(56) **References Cited**

U.S. PATENT DOCUMENTS

D227,531 S *	7/1973	Berger	D7/517
D284,806 S *	7/1986	Dzierson et al.	D7/619.2
D329,175 S *	9/1992	Harber	D7/620
D485,733 S *	1/2004	Stuart	D7/625
D506,105 S *	6/2005	Cox	D7/625
D513,937 S *	1/2006	Cox	D7/606
D531,859 S *	11/2006	Bogumil et al.	D7/625

1 Claim, 9 Drawing Sheets



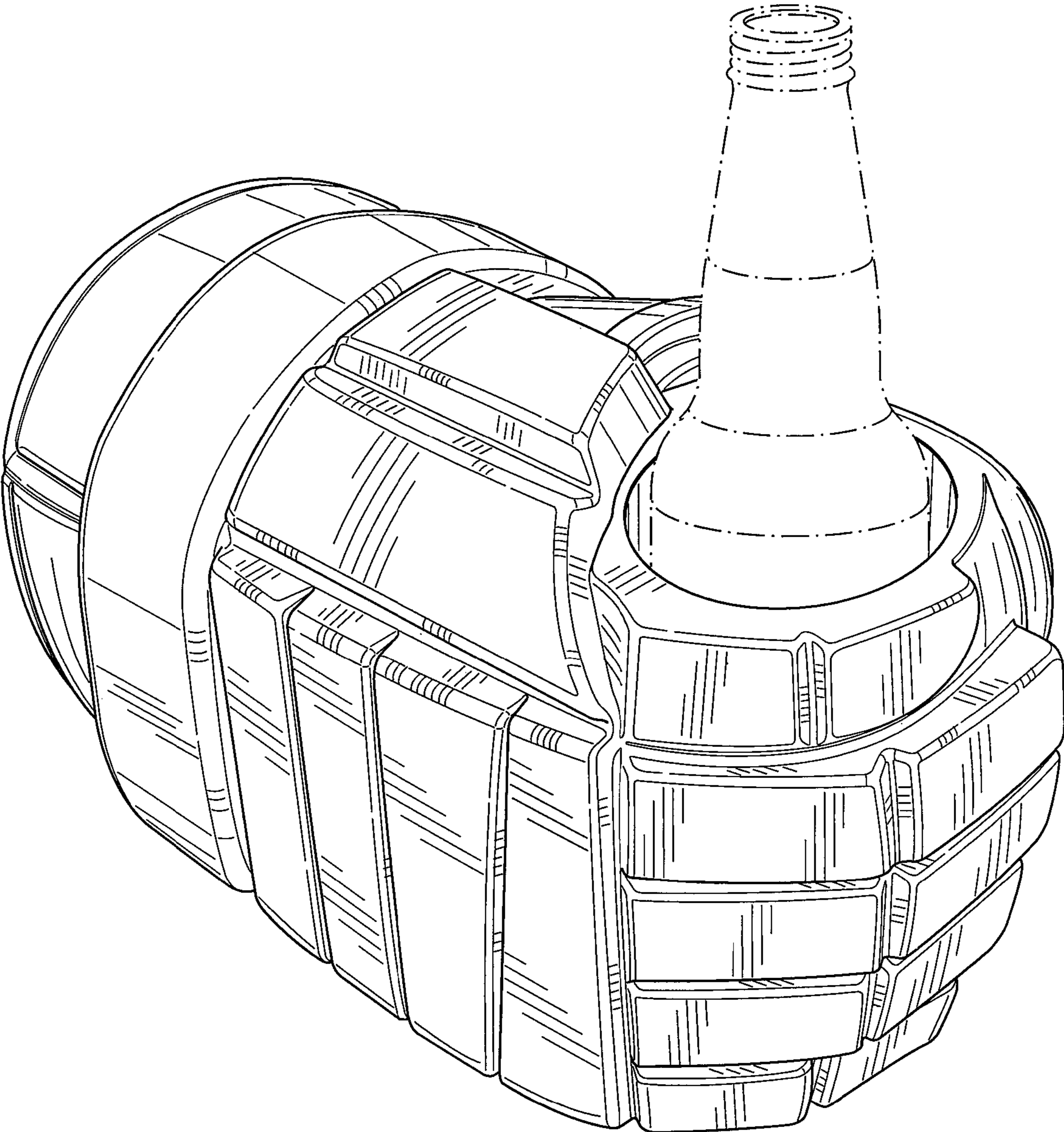


FIG. 1

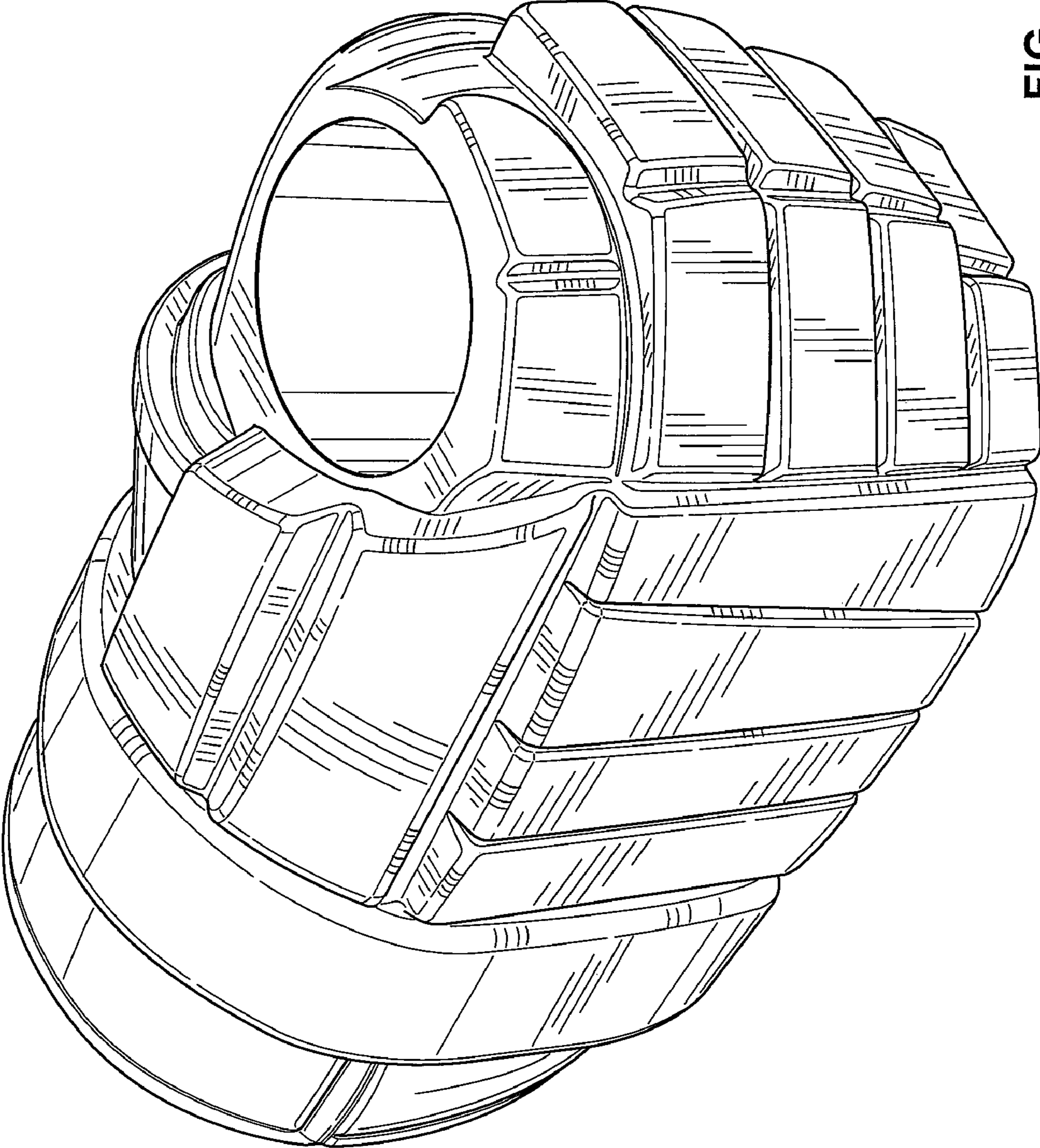


FIG. 2

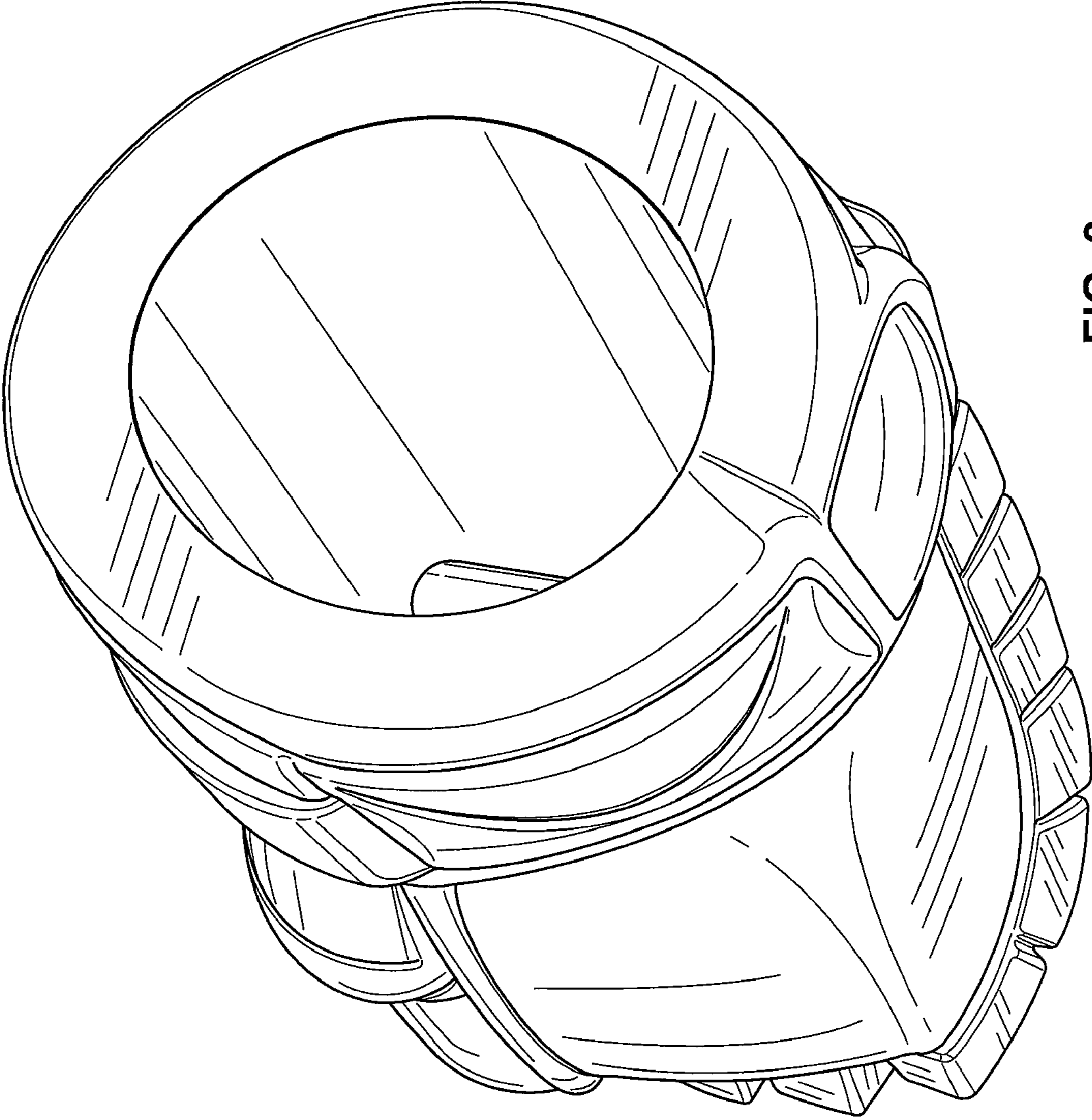


FIG. 3

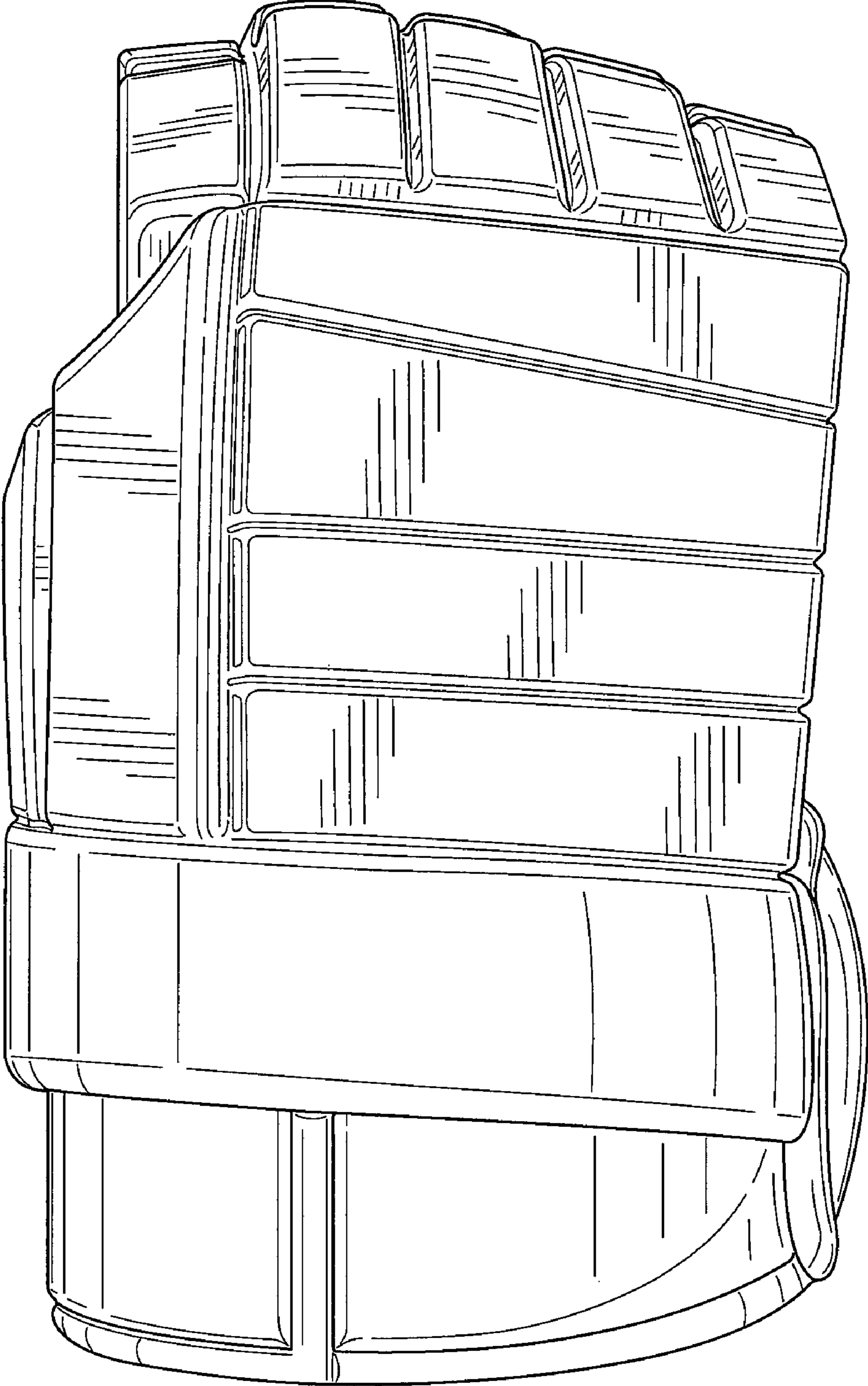


FIG. 4

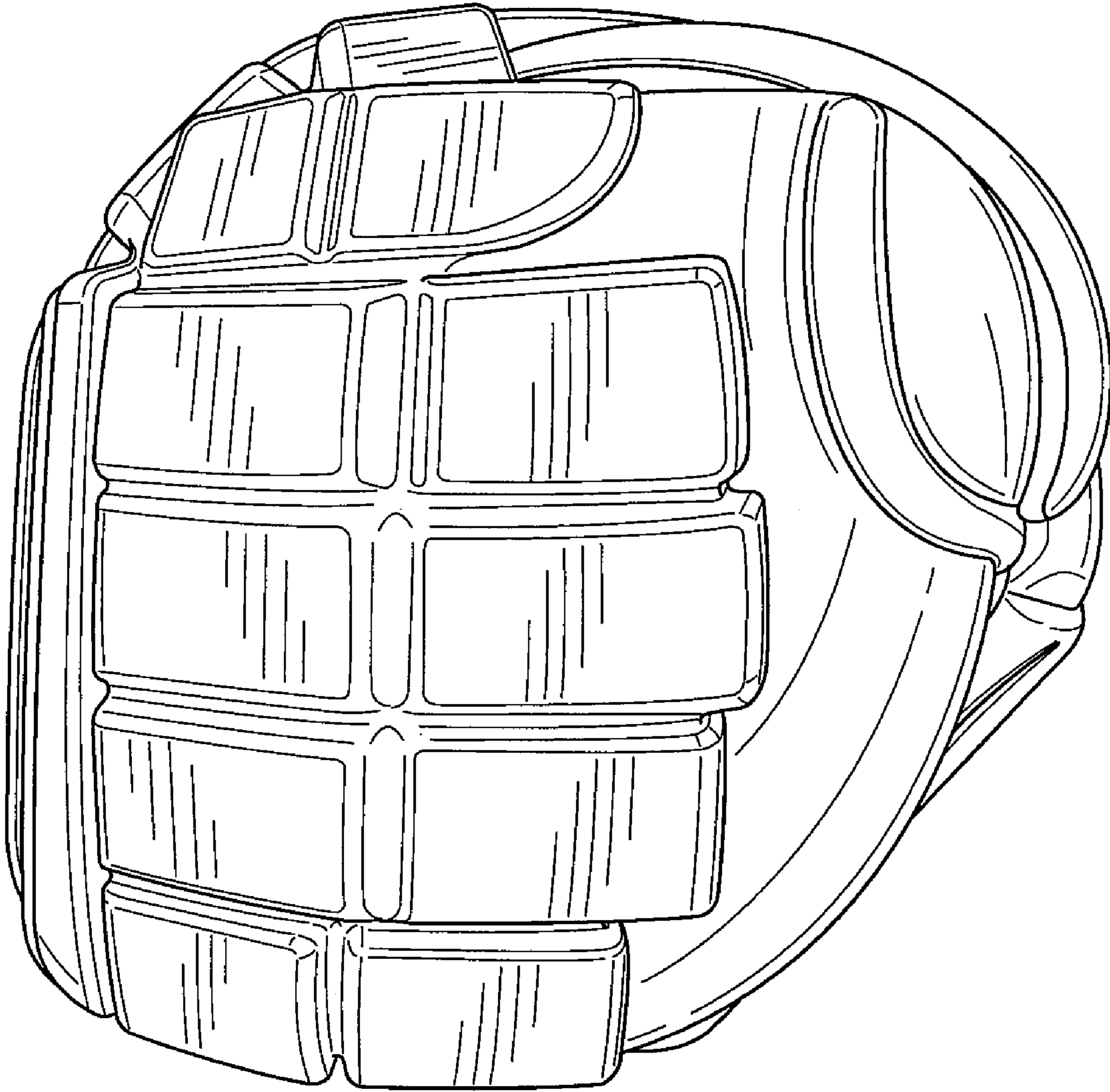


FIG. 5

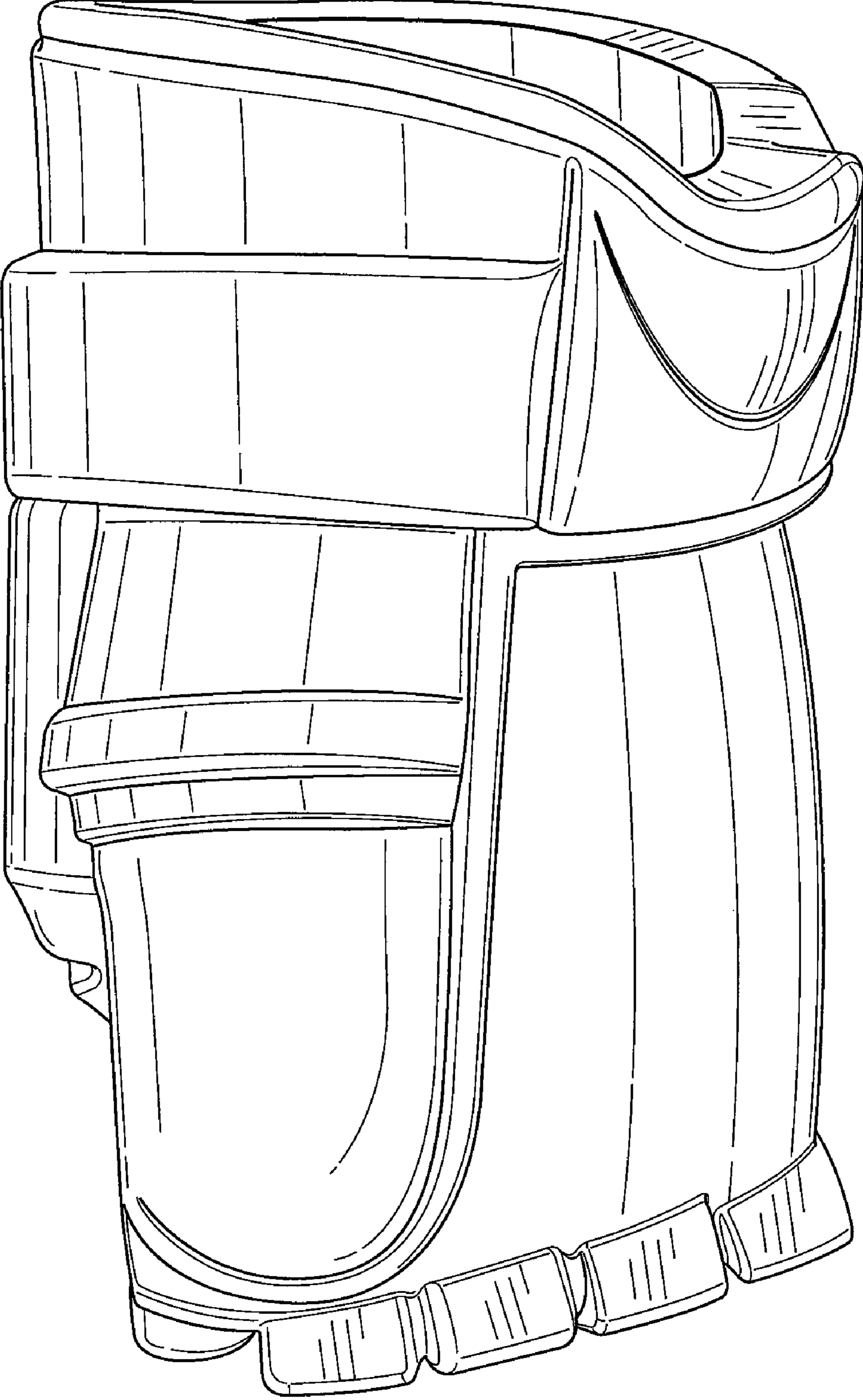


FIG. 6

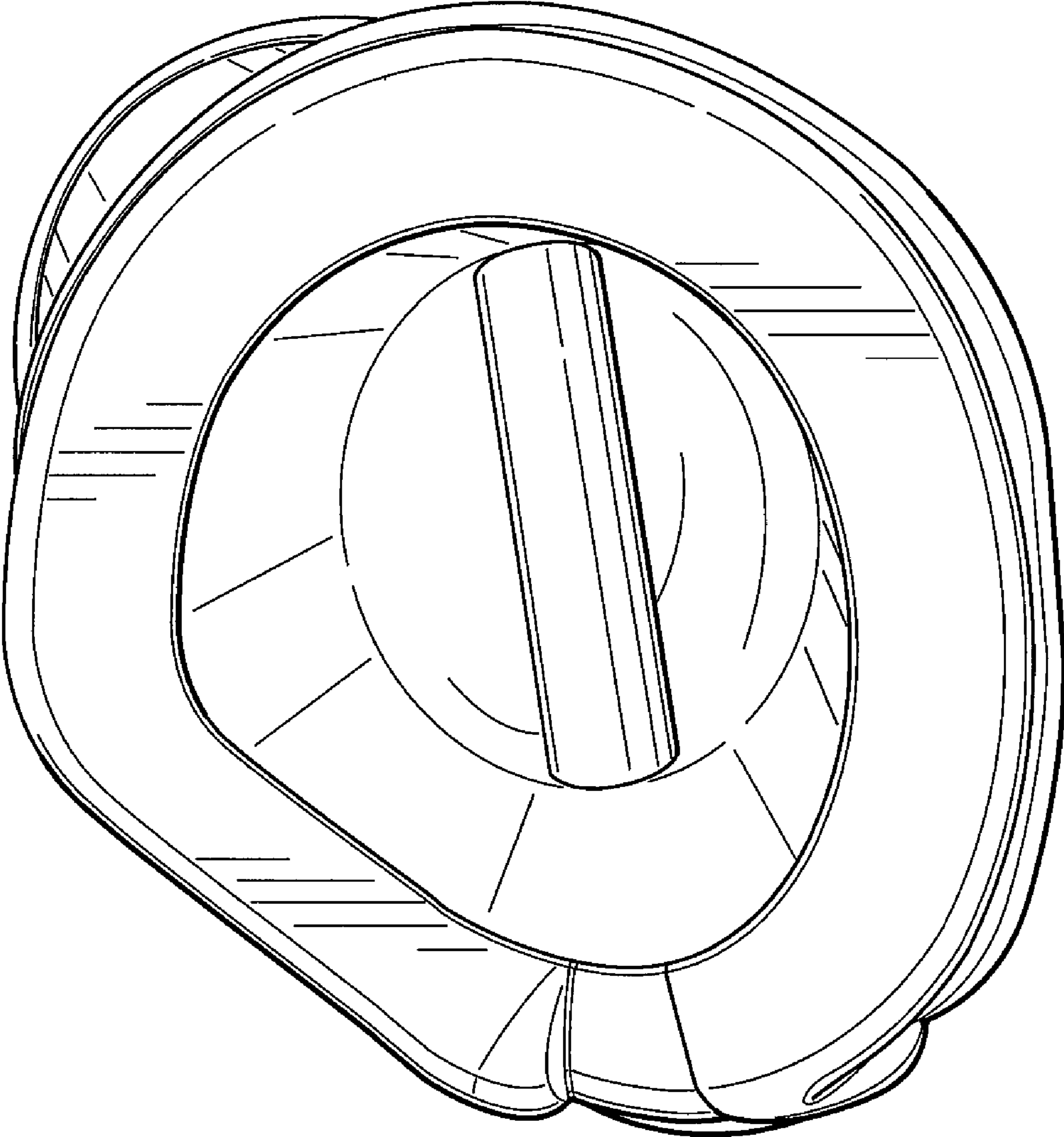


FIG. 7

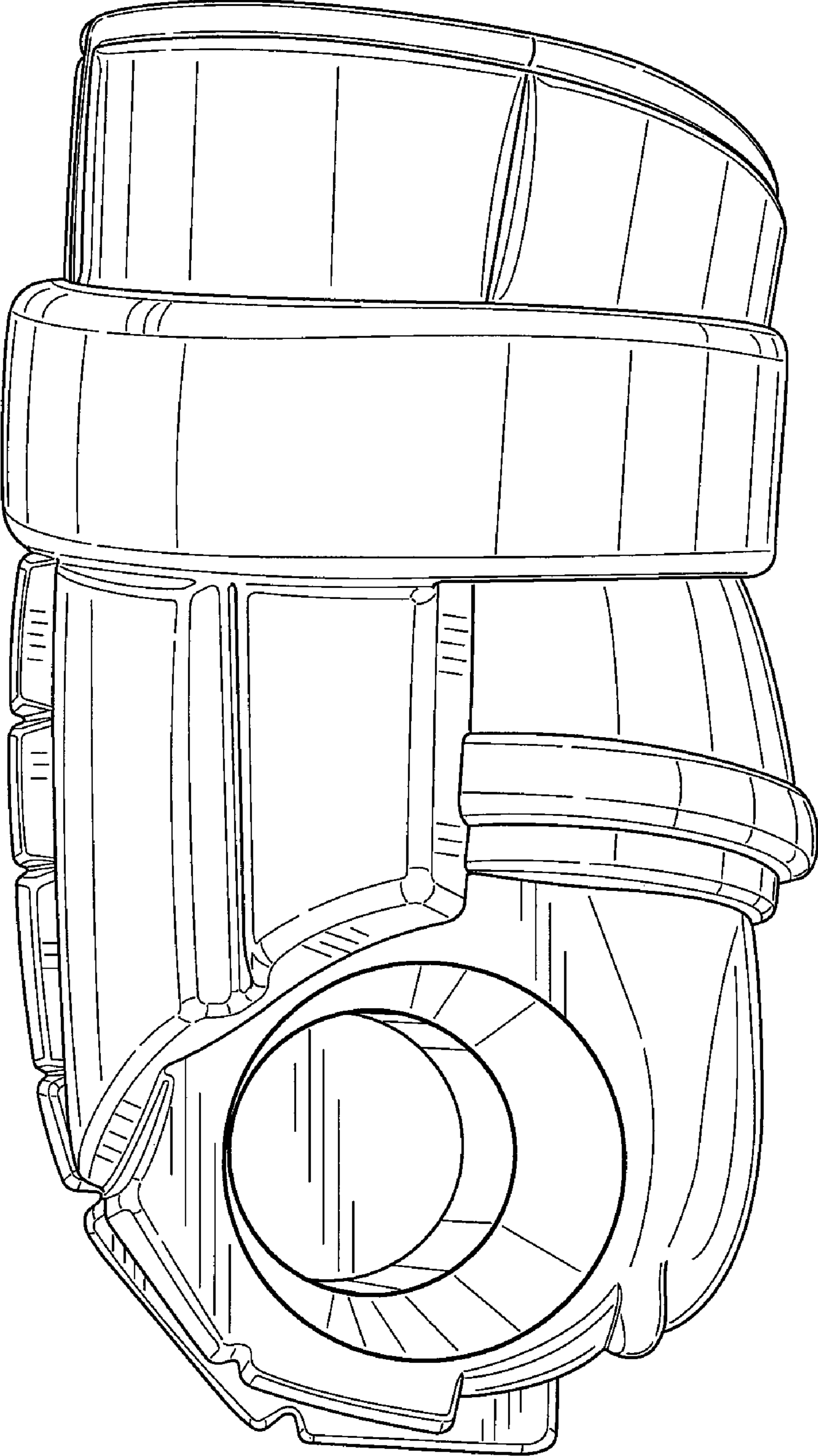


FIG. 8

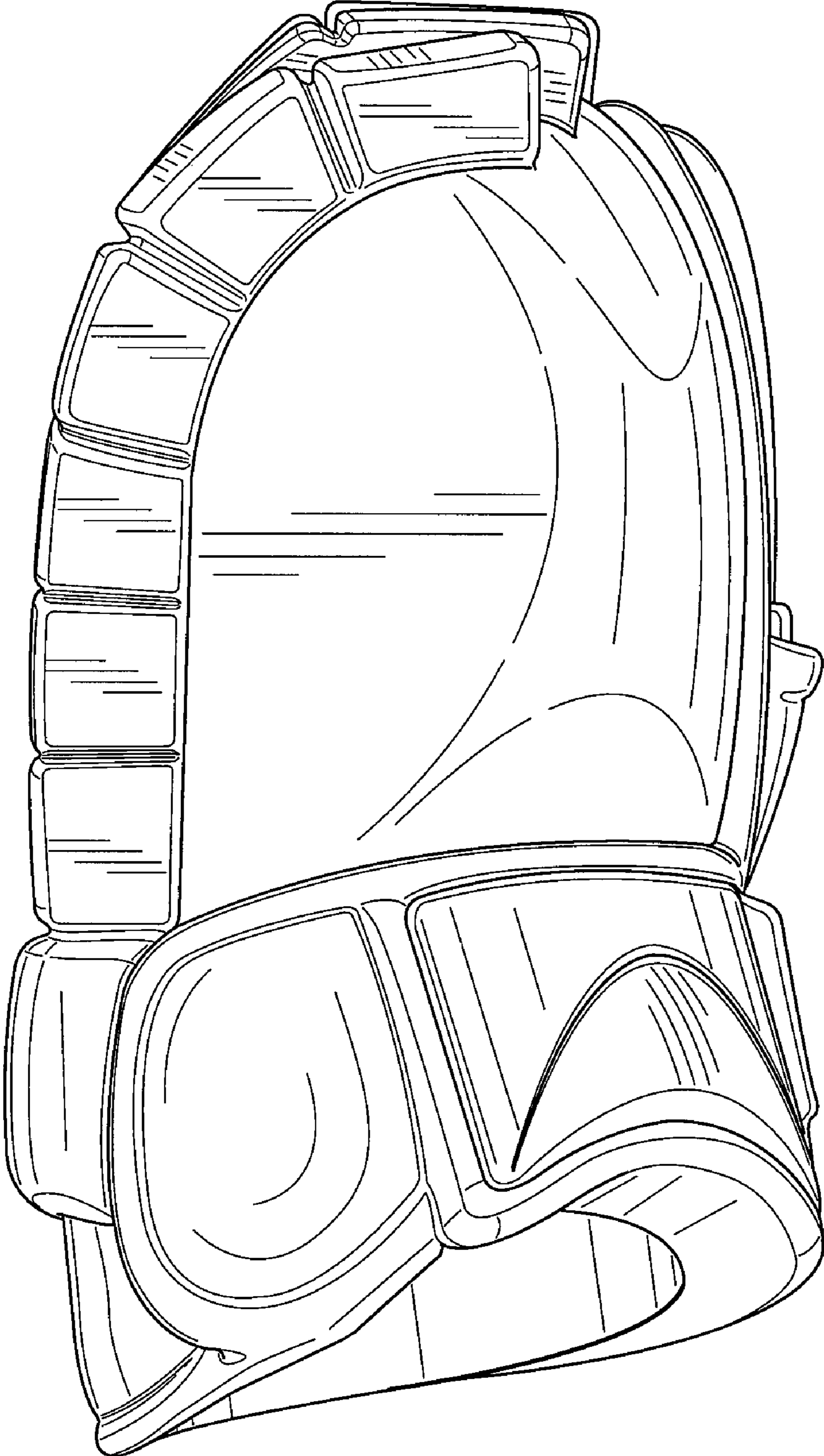


FIG. 9