

US00D602741S

(12) **United States Design Patent**
Xiurong et al.

(10) **Patent No.:** **US D602,741 S**

(45) **Date of Patent:** **** Oct. 27, 2009**

(54) **TRAVEL MUG**

(75) Inventors: **Li Xiurong**, Shanghai (CN); **Jacob Rothman**, Shanghai (CN)

(73) Assignee: **JLR Gear**, Shanghai (CN)

(**) Term: **14 Years**

(21) Appl. No.: **29/327,331**

(22) Filed: **Nov. 4, 2008**

(51) **LOC (9) Cl.** **07-01**

(52) **U.S. Cl.** **D7/510; D7/511; D7/533; D7/507**

(58) **Field of Classification Search** **D7/510, D7/511, 533, 536, 507; 219/387; 220/719, 220/715, 713**

See application file for complete search history.

(56) **References Cited**

U.S. PATENT DOCUMENTS

D314,308 S *	2/1991	Cogswell	D7/507
D314,689 S *	2/1991	Claudias	D7/507
D387,093 S *	12/1997	Liang	D19/85
D454,756 S *	3/2002	Janky et al.	D7/510
D469,309 S *	1/2003	Janky	D7/510
D494,010 S *	8/2004	Yuen	D7/511

D523,692 S *	6/2006	Meehan	D7/507
D533,747 S *	12/2006	Jin	D7/510
D541,105 S *	4/2007	Jin	D7/510
D542,093 S *	5/2007	Meehan	D7/507
D544,301 S *	6/2007	Tien	D7/510
D548,524 S *	8/2007	Meehan	D7/507
D551,022 S *	9/2007	Meehan	D7/510
D560,435 S *	1/2008	Meehan	D7/510
D572,531 S *	7/2008	Romandy et al.	D7/510

* cited by examiner

Primary Examiner—Marrienne Pandozzi

(74) *Attorney, Agent, or Firm*—Michael J. Hughes

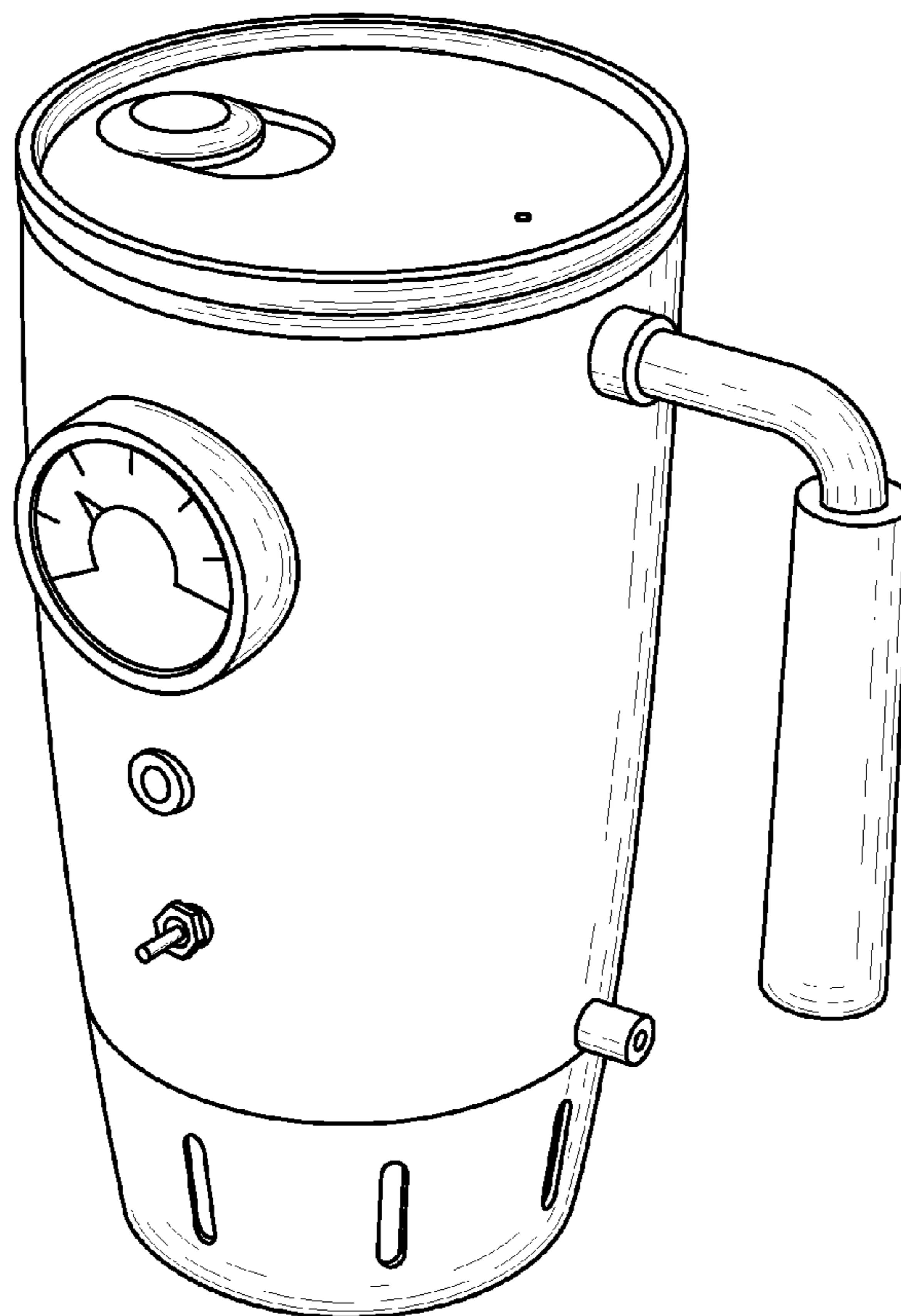
(57) **CLAIM**

The ornamental design for a travel mug, as shown.

DESCRIPTION

FIG. 1 is a front top right perspective view of the travel mug;
FIG. 2 is a front plan view thereof;
FIG. 3 is a rear plan view thereof;
FIG. 4 is a right side elevational view thereof;
FIG. 5 is a left side elevational view thereof;
FIG. 6 is a top plan view thereof; and,
FIG. 7 is bottom plan view thereof.

1 Claim, 4 Drawing Sheets



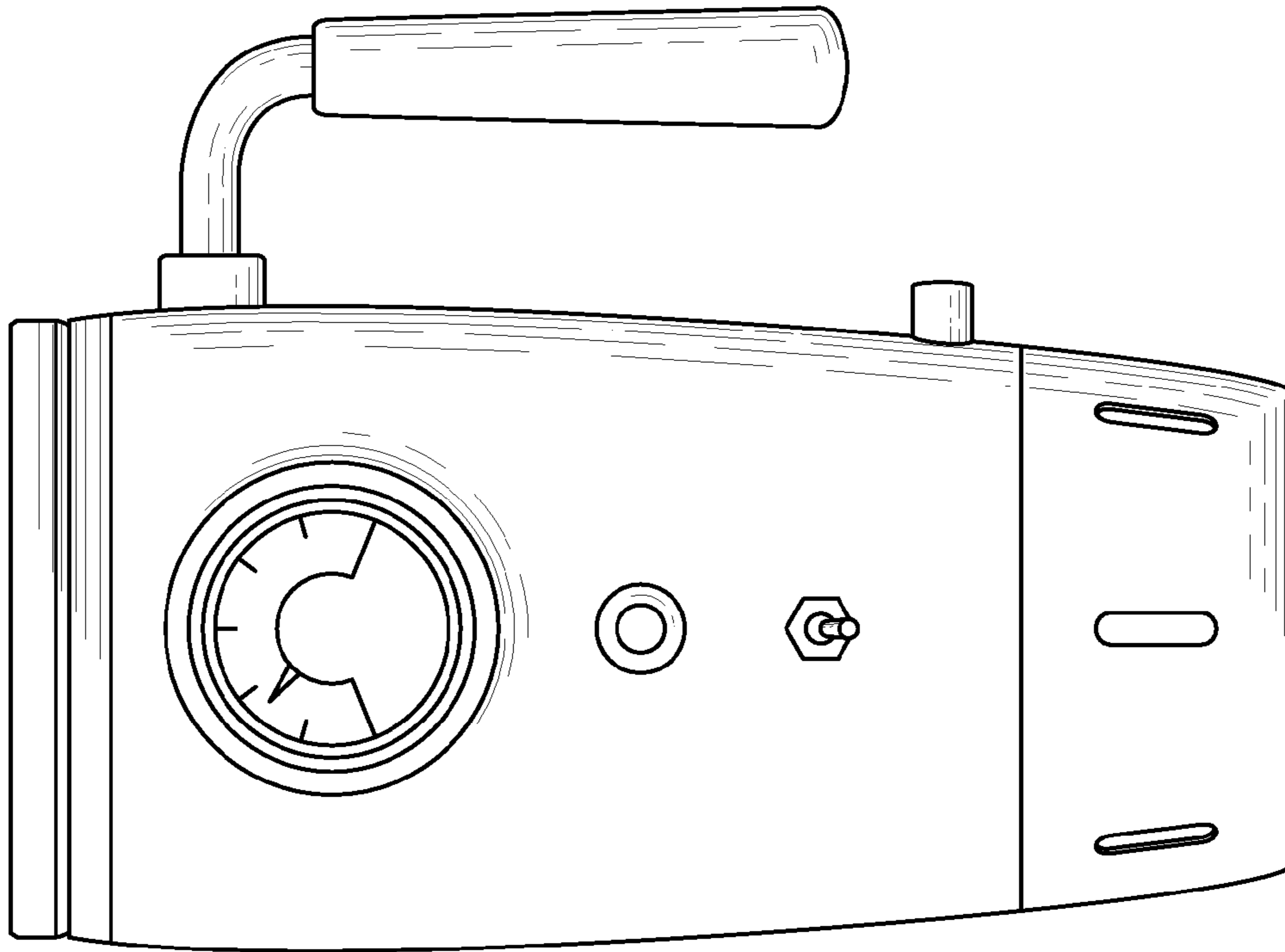


FIG. 2

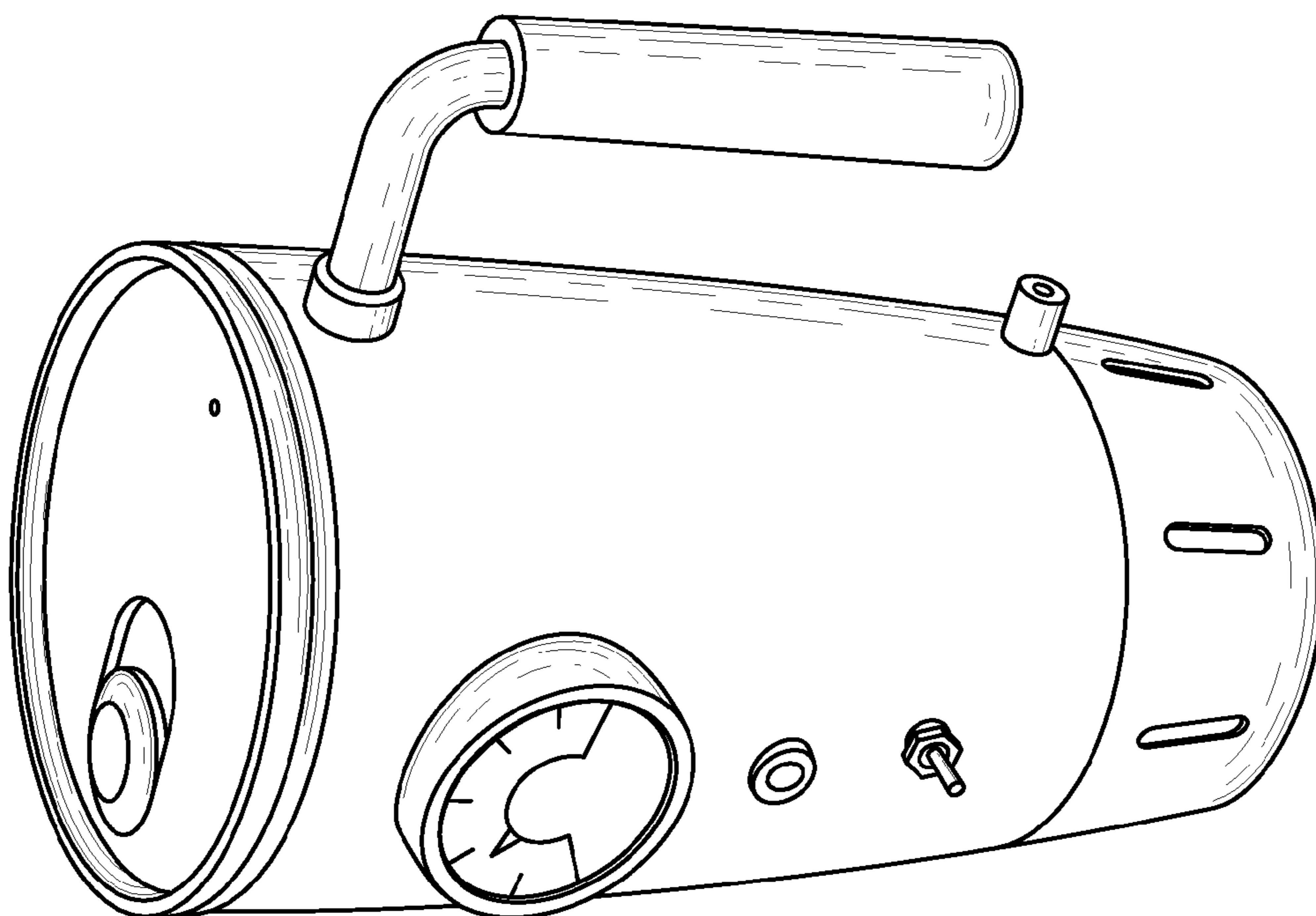


FIG. 1

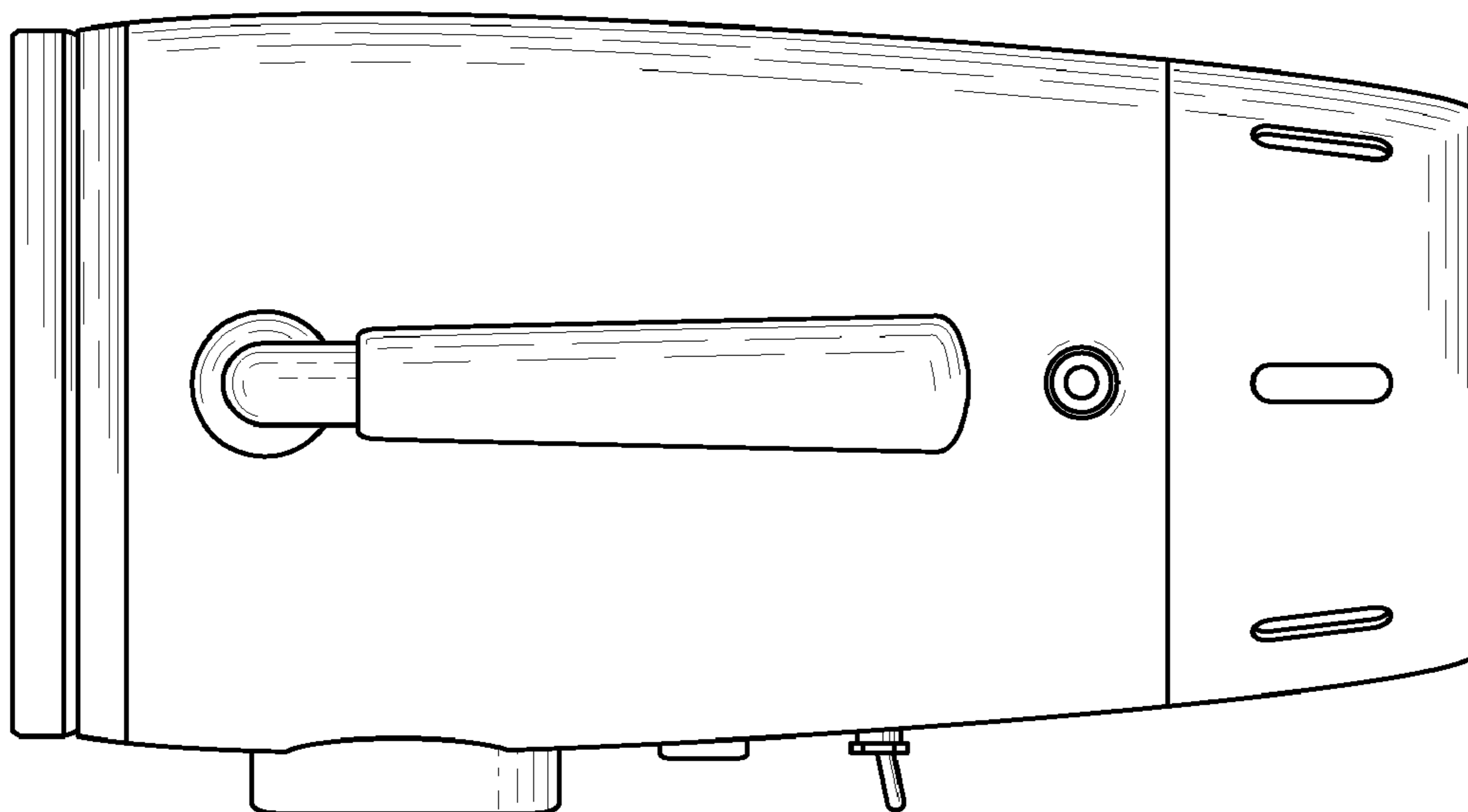


FIG. 4

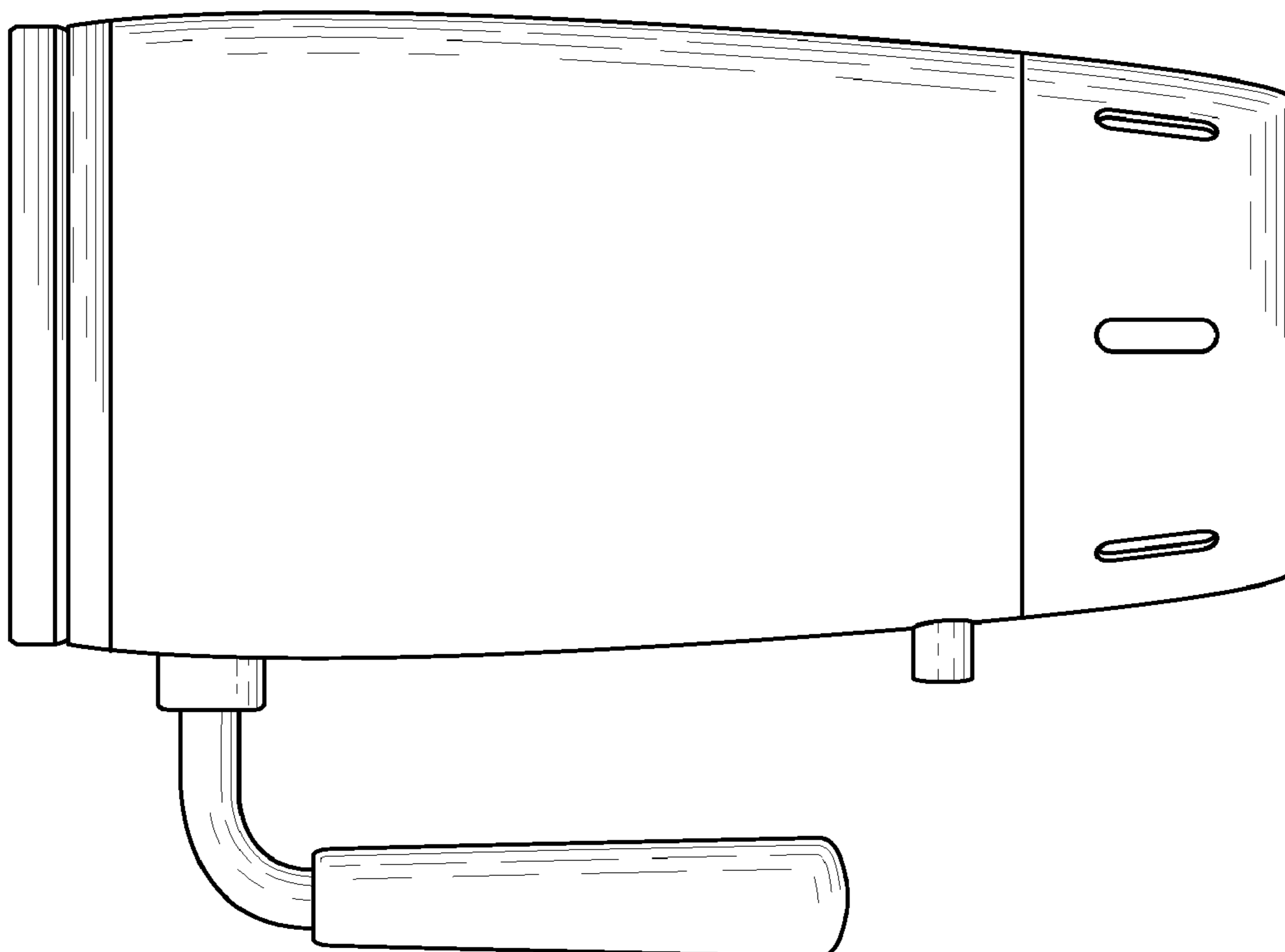


FIG. 3

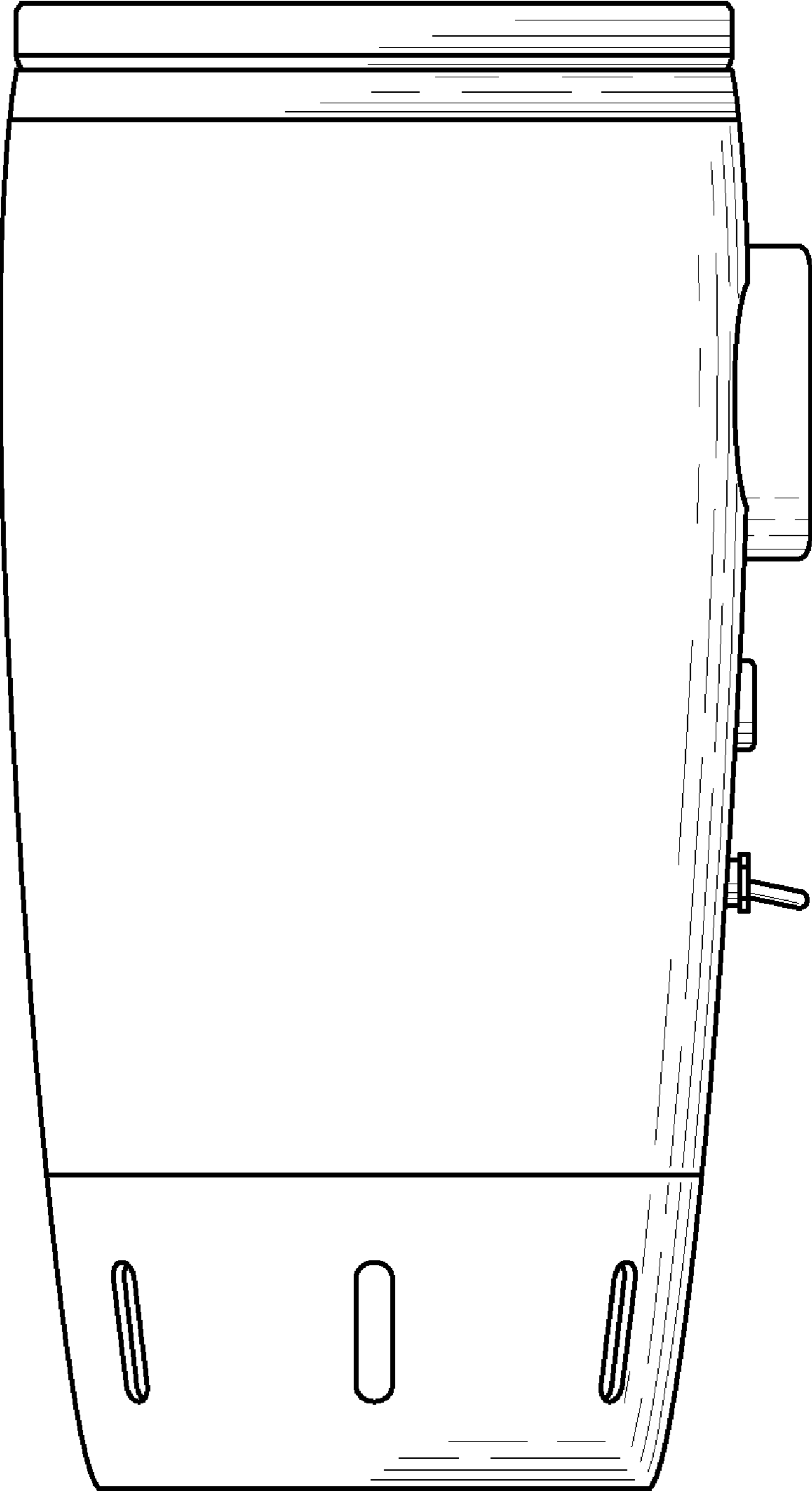


FIG. 5

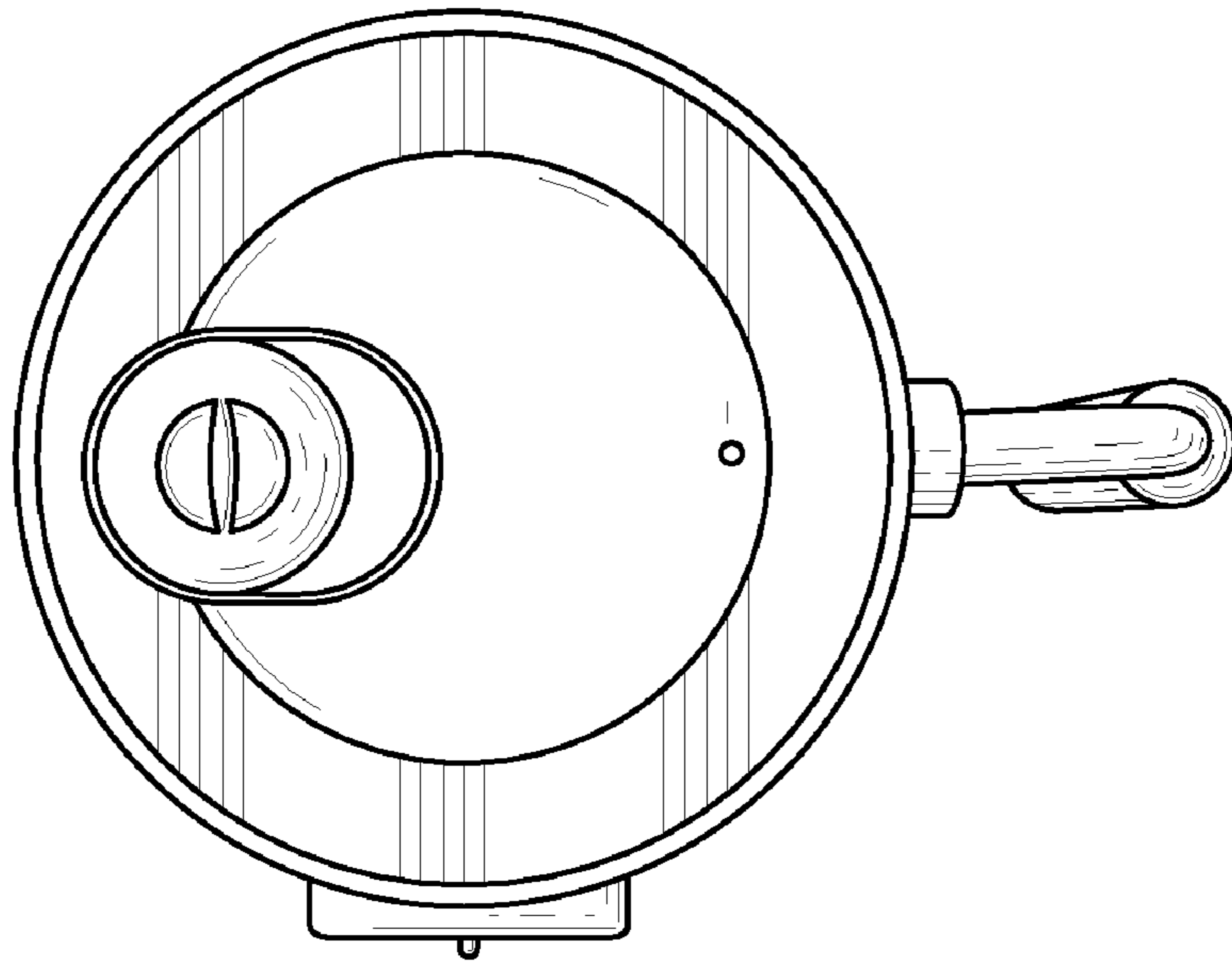


FIG. 6

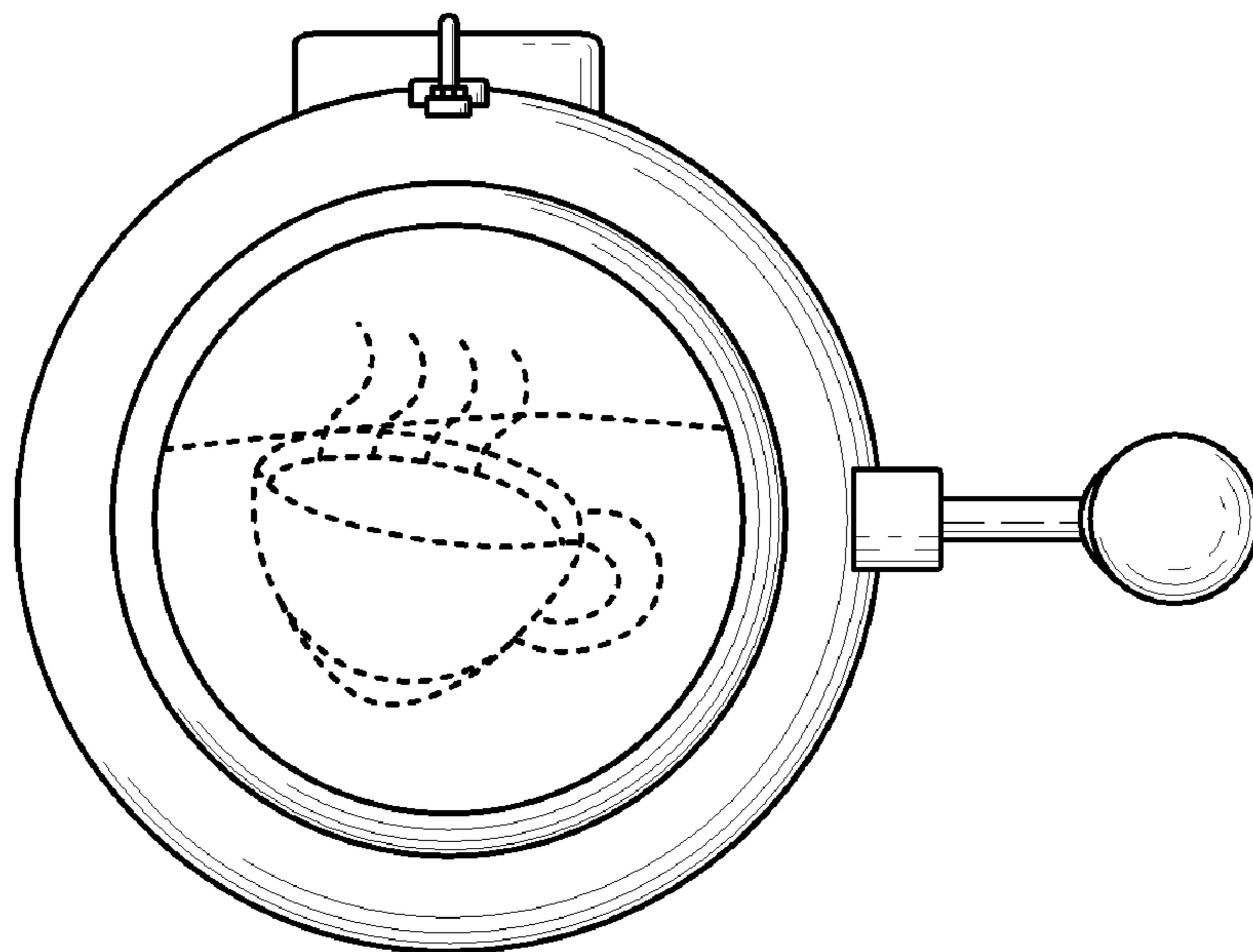


FIG. 7