



US00D602740S

(12) **United States Design Patent**
Urquiola

(10) **Patent No.:** **US D602,740 S**

(45) **Date of Patent:** **** Oct. 27, 2009**

(54) **TUMBLER**

(75) Inventor: **Patricia Urquiola**, Milan (IT)

(73) Assignee: **Hansgrohe AG**, Schiltach (DE)

(**) Term: **14 Years**

(21) Appl. No.: **29/333,642**

(22) Filed: **Mar. 12, 2009**

(30) **Foreign Application Priority Data**

Sep. 23, 2008 (EP) 001007314-0006

(51) **LOC (9) Cl.** **07-01**

(52) **U.S. Cl.** **D7/509; D7/602; D7/603**

(58) **Field of Classification Search** D7/503,
D7/509, 523, 316, 629, 612, 602, 708, 603;
D11/153, 164, 143, 155; D9/431; D30/132,
D30/131; D3/304; D19/77, 85; 229/400;
220/703, 751; D34/1

See application file for complete search history.

(56) **References Cited**

U.S. PATENT DOCUMENTS

D38,003 S * 5/1906 Thuemler D7/509
3,137,431 A * 6/1964 Crouse et al. 229/400
D215,617 S * 10/1969 Heck D34/8
D238,137 S * 12/1975 Strubig et al. D7/612
D240,286 S * 6/1976 Sepaneva et al. D7/509
D294,740 S * 3/1988 Yonezawa et al. D28/12
D294,749 S * 3/1988 Fuller D30/132

D304,680 S * 11/1989 Carlson D7/708
D311,869 S * 11/1990 Carlson D7/603
D362,525 S * 9/1995 Kruger D34/1
D382,446 S * 8/1997 Bacon D7/587
D390,417 S * 2/1998 Hsu D7/509
D413,231 S * 8/1999 Loew et al. D7/612
D437,984 S * 2/2001 Weiss et al. D34/1
D450,926 S * 11/2001 Dickinson et al. D3/304
D496,272 S * 9/2004 Jackson et al. D9/425
D496,560 S * 9/2004 Lerner D7/629
D517,852 S * 3/2006 Jalet D7/300
D555,317 S * 11/2007 Yang et al. D34/1

* cited by examiner

Primary Examiner—Marianne Pandozzi

(74) *Attorney, Agent, or Firm*—Nirav D. Parikh; Edgar A. Zarins

(57) **CLAIM**

The ornamental design for a tumbler, as shown and described.

DESCRIPTION

FIG. 1 is a front perspective view of a tumbler showing my design;

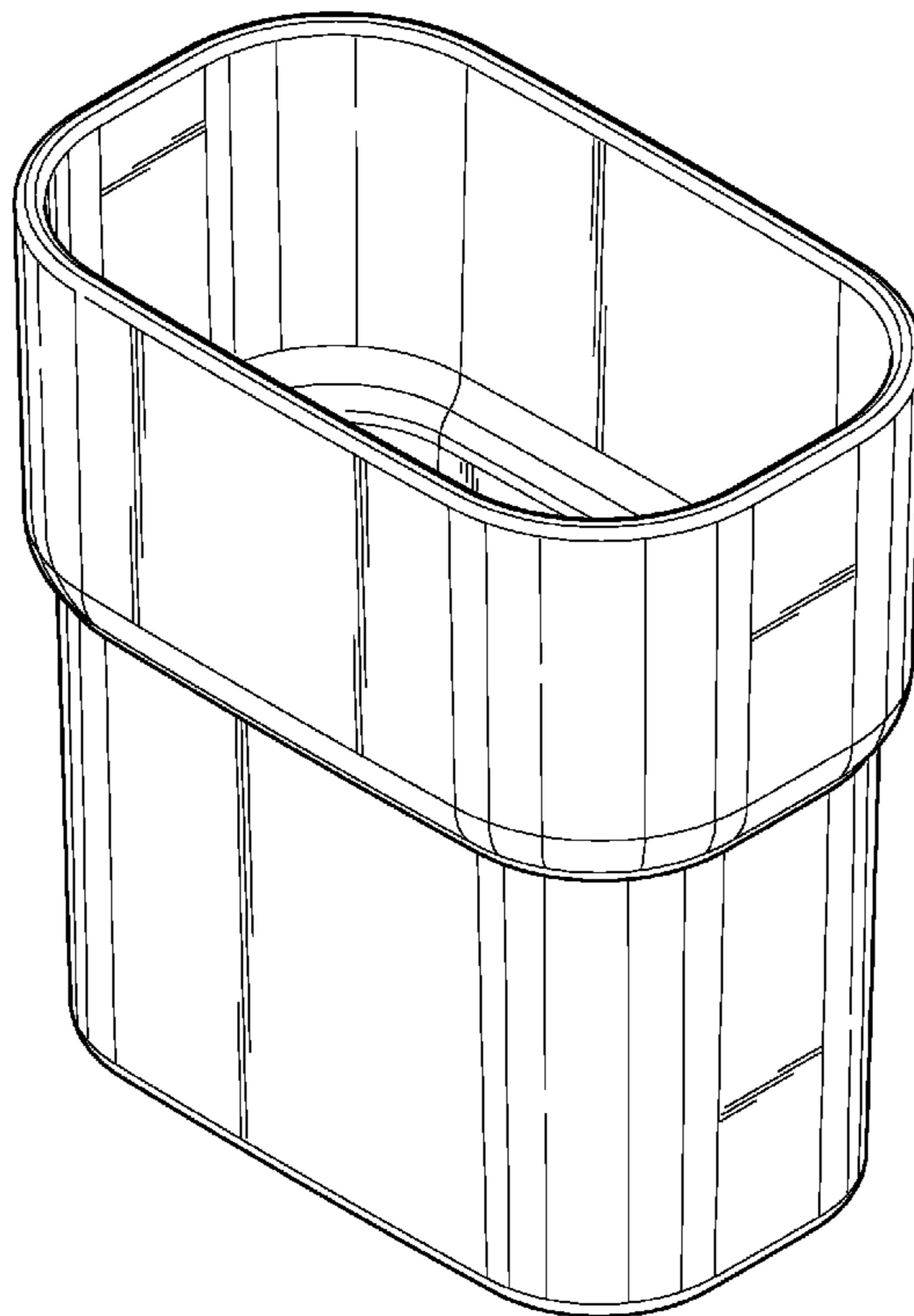
FIG. 2 is a front elevational view thereof;

FIG. 3 is a left side elevational view thereof; the right side elevational view being a mirror image thereof;

FIG. 4 is a bottom plan view thereof; and,

FIG. 5 is a top plan view thereof.

1 Claim, 5 Drawing Sheets



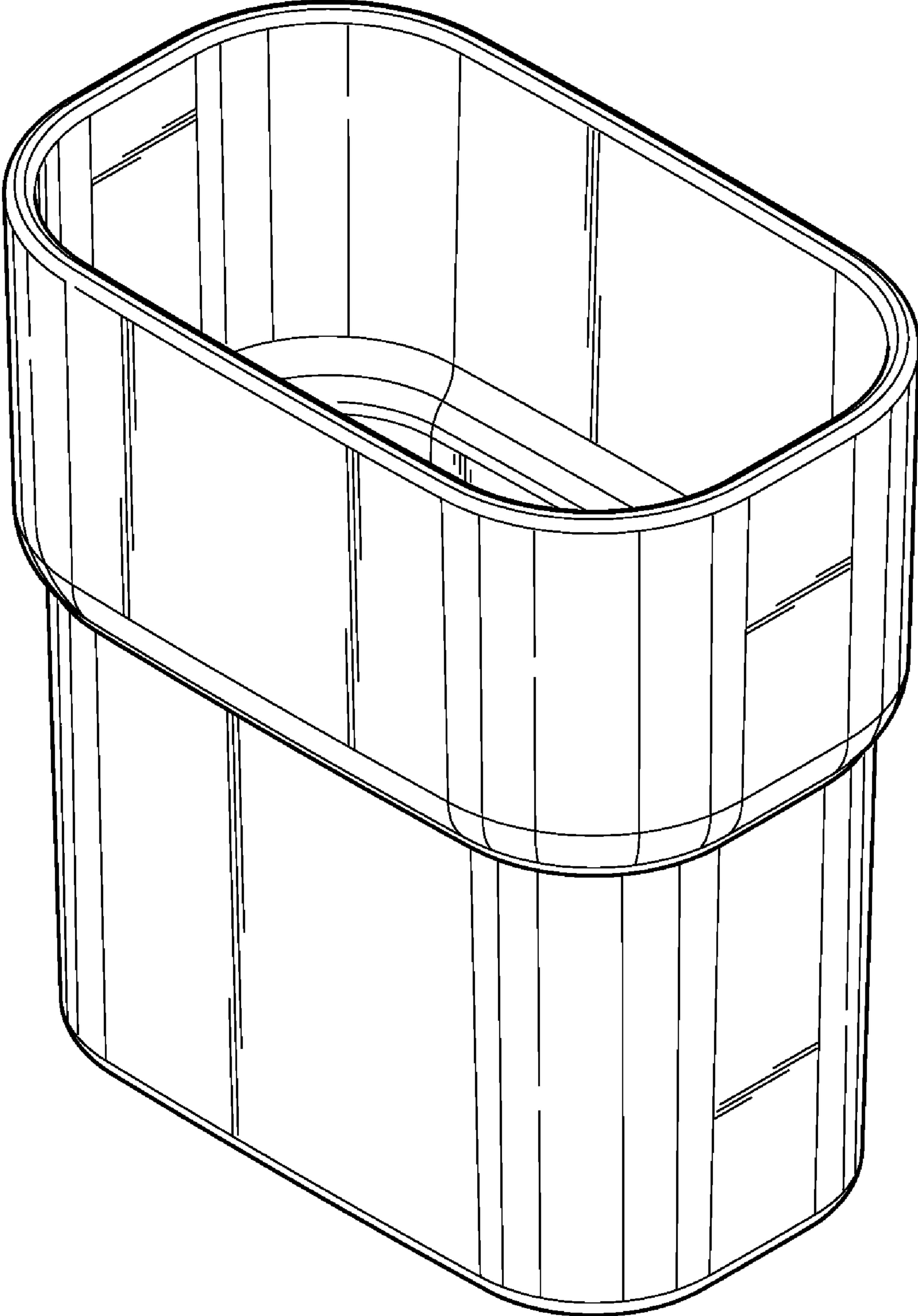


FIG. 1

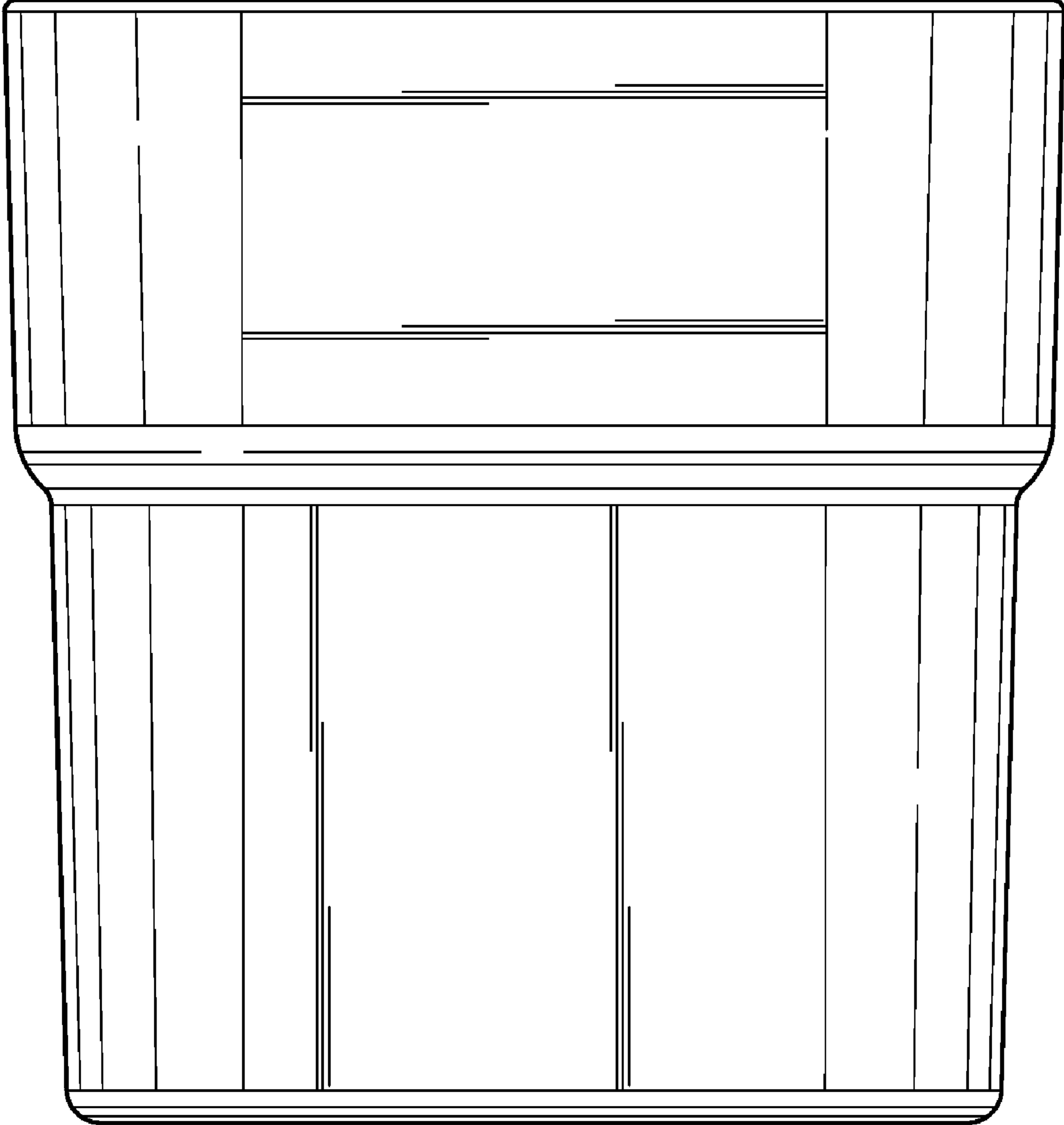


FIG. 2

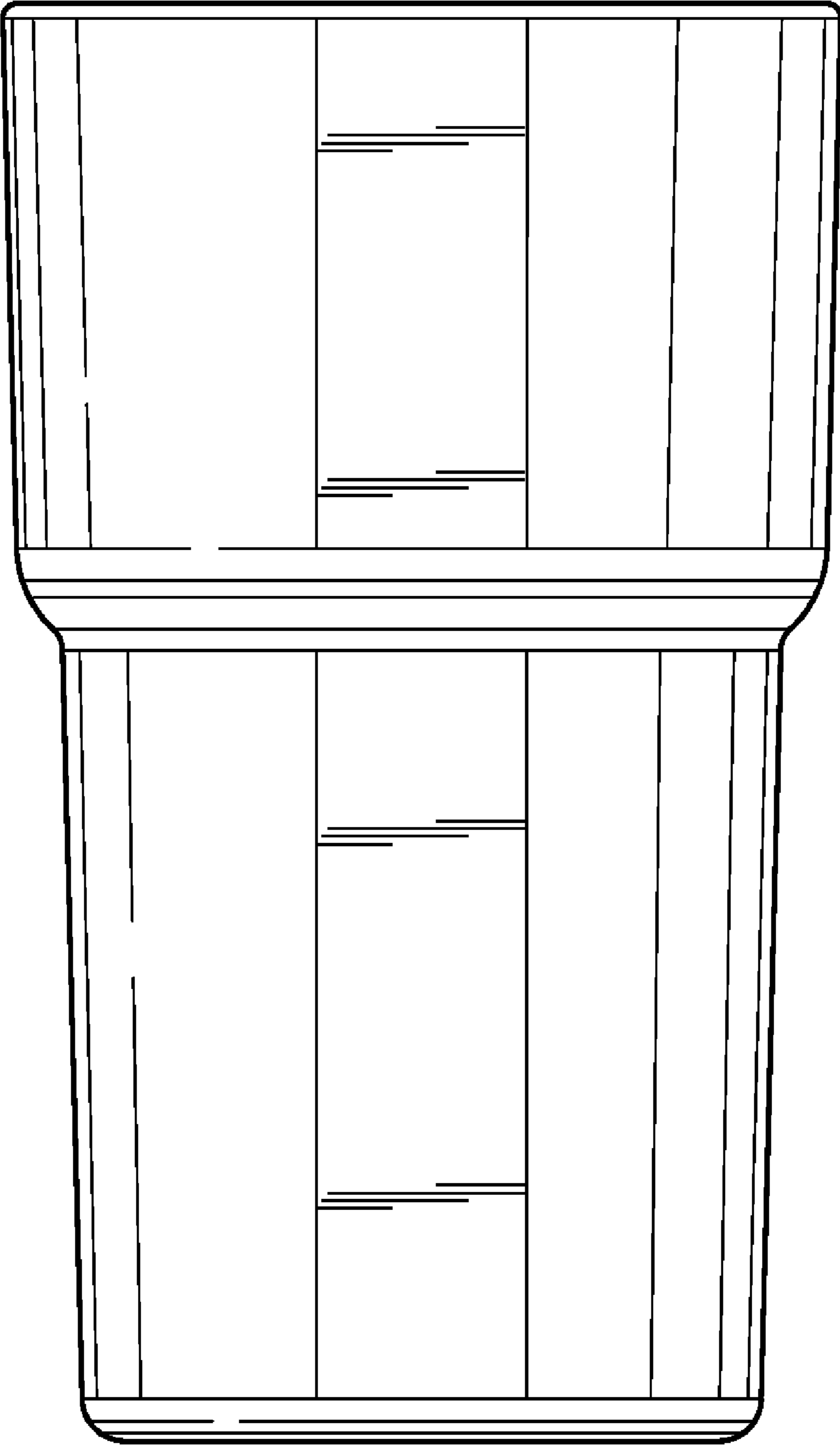


FIG. 3

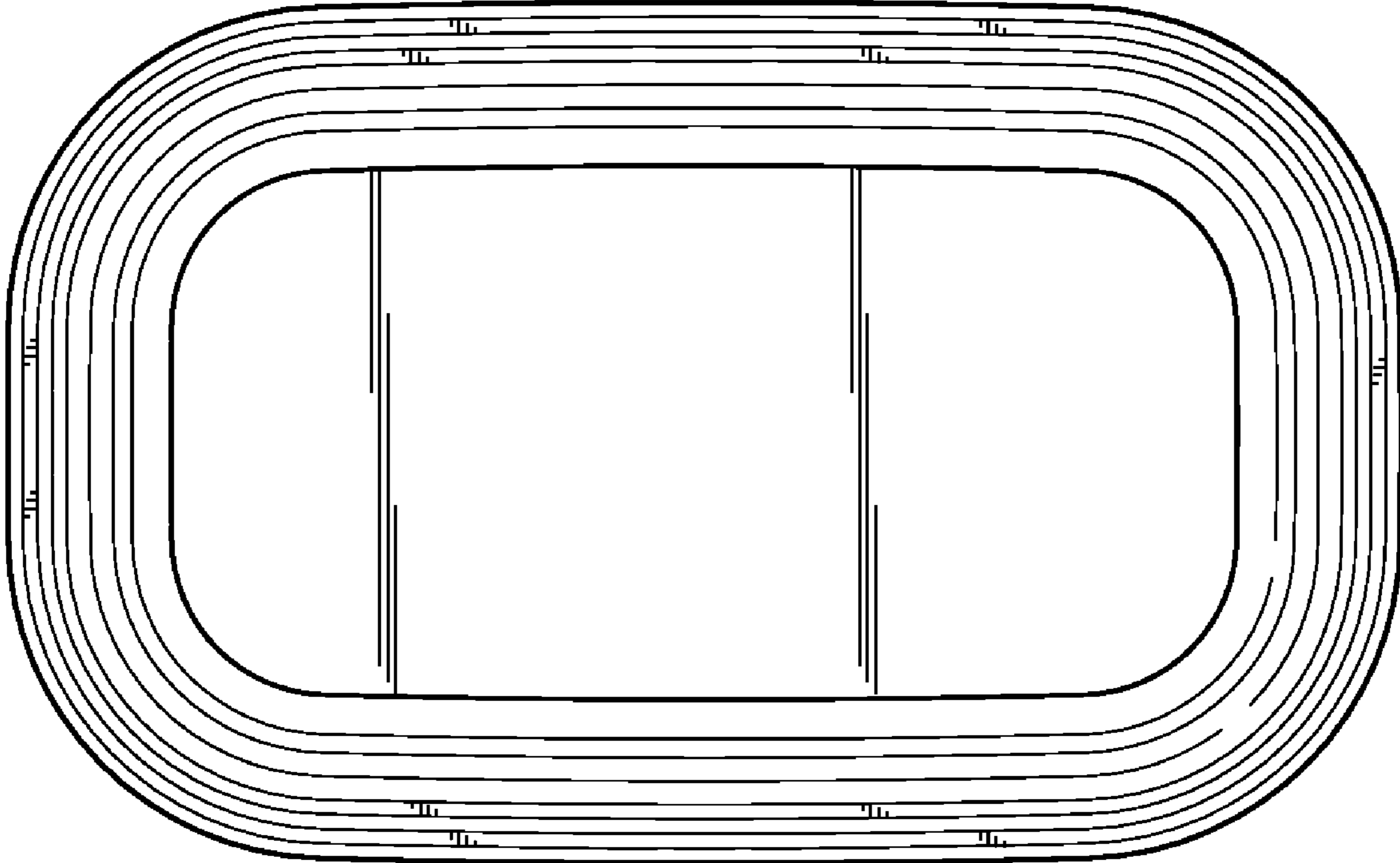


FIG. 4

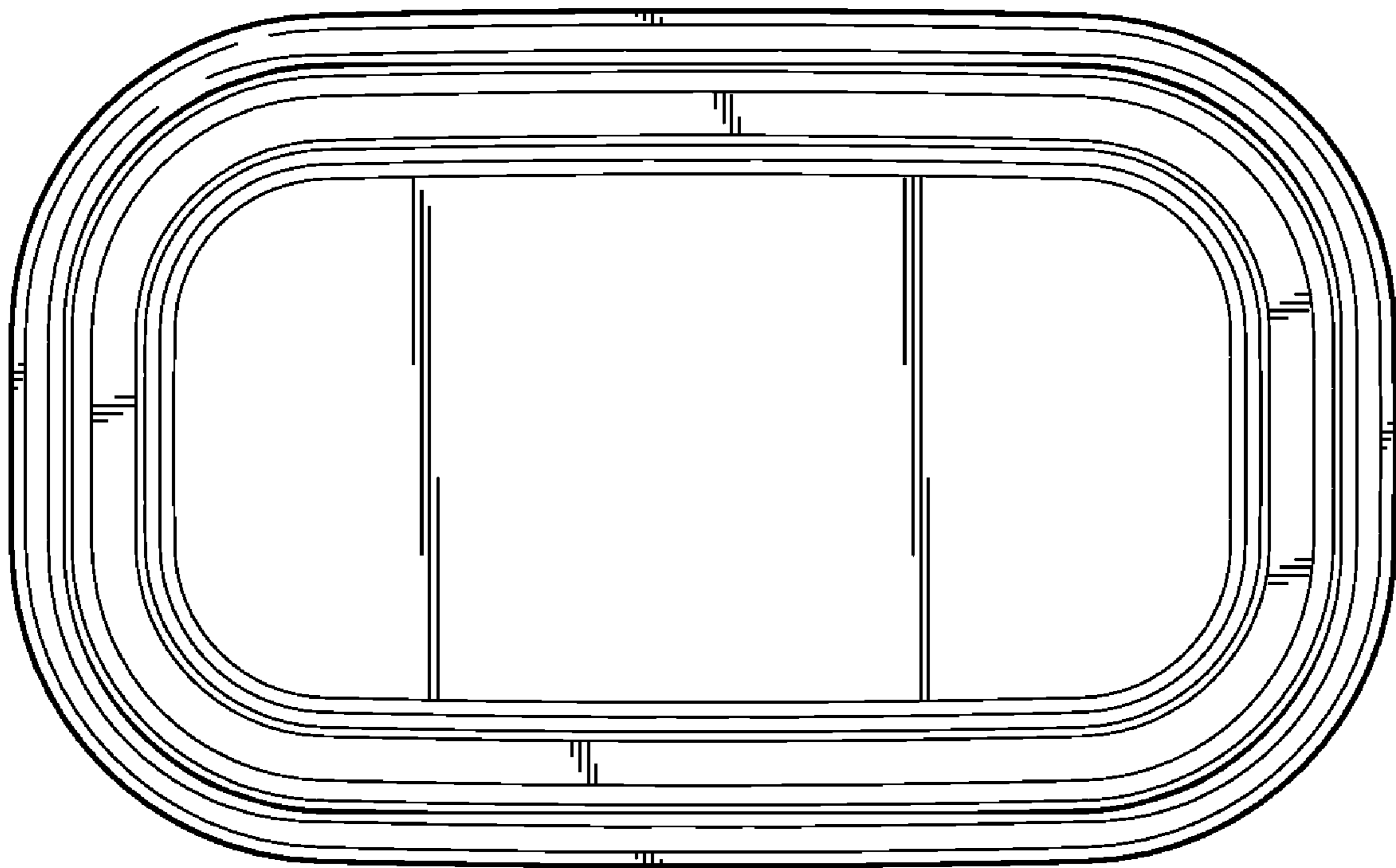


FIG. 5