



US00D602738S

(12) **United States Design Patent**
Bengtson et al.

(10) **Patent No.:** **US D602,738 S**

(45) **Date of Patent:** **** Oct. 27, 2009**

(54) **BURNER GRATE**

(75) Inventors: **Alan D. Bengtson**, Saint Joseph, MI
(US); **Timothy T. Murphy**, Saint
Joseph, MI (US)

(73) Assignee: **Whirlpool Corporation**, Benton Harbor,
MI (US)

(**) Term: **14 Years**

(21) Appl. No.: **29/333,180**

(22) Filed: **Mar. 4, 2009**

(51) **LOC (9) Cl.** **07-02**

(52) **U.S. Cl.** **D7/408**

(58) **Field of Classification Search** D7/339-341,
D7/346, 354-361, 388, 402, 408-409; D23/346-347,
D23/397; 99/385, 402, 403, 427, 449-450,
99/421 A, 421 H, 421 R; 126/211, 275 R;
220/491, 912

See application file for complete search history.

(56) **References Cited**

U.S. PATENT DOCUMENTS

D353,300 S *	12/1994	Edman et al.	D7/408
D369,061 S *	4/1996	Holbrook, Jr.	D7/408
D369,062 S *	4/1996	Holbrook, Jr.	D7/408
D371,277 S *	7/1996	Pink	D7/408
D378,262 S *	3/1997	Sparks	D7/408
D378,885 S *	4/1997	Sparks	D7/408
D389,374 S *	1/1998	Miller	D7/408
D489,933 S *	5/2004	Rummel et al.	D7/346
D495,202 S *	8/2004	Becker et al.	D7/346

D495,924 S *	9/2004	Becker et al.	D7/408
D502,632 S *	3/2005	Becker et al.	D7/408
6,886,552 B2 *	5/2005	Cadima	126/211
D524,601 S *	7/2006	Vetter	D7/408
D536,568 S *	2/2007	Ostlund et al.	D7/340
D564,838 S *	3/2008	Shin et al.	D7/409

* cited by examiner

Primary Examiner—T. Chase Nelson

Assistant Examiner—Mark Cavanna

(74) *Attorney, Agent, or Firm*—Tara Hartman; Barnes &
Thornburg LLP

(57) **CLAIM**

We claim the ornamental design for a burner grate, as shown
and described.

DESCRIPTION

FIG. 1 is a front perspective view of a burner grate showing
our new design with the lower boundary shown in broken
lines forming no part of the claimed design;

FIG. 2 is a top plan view of a burner grate;

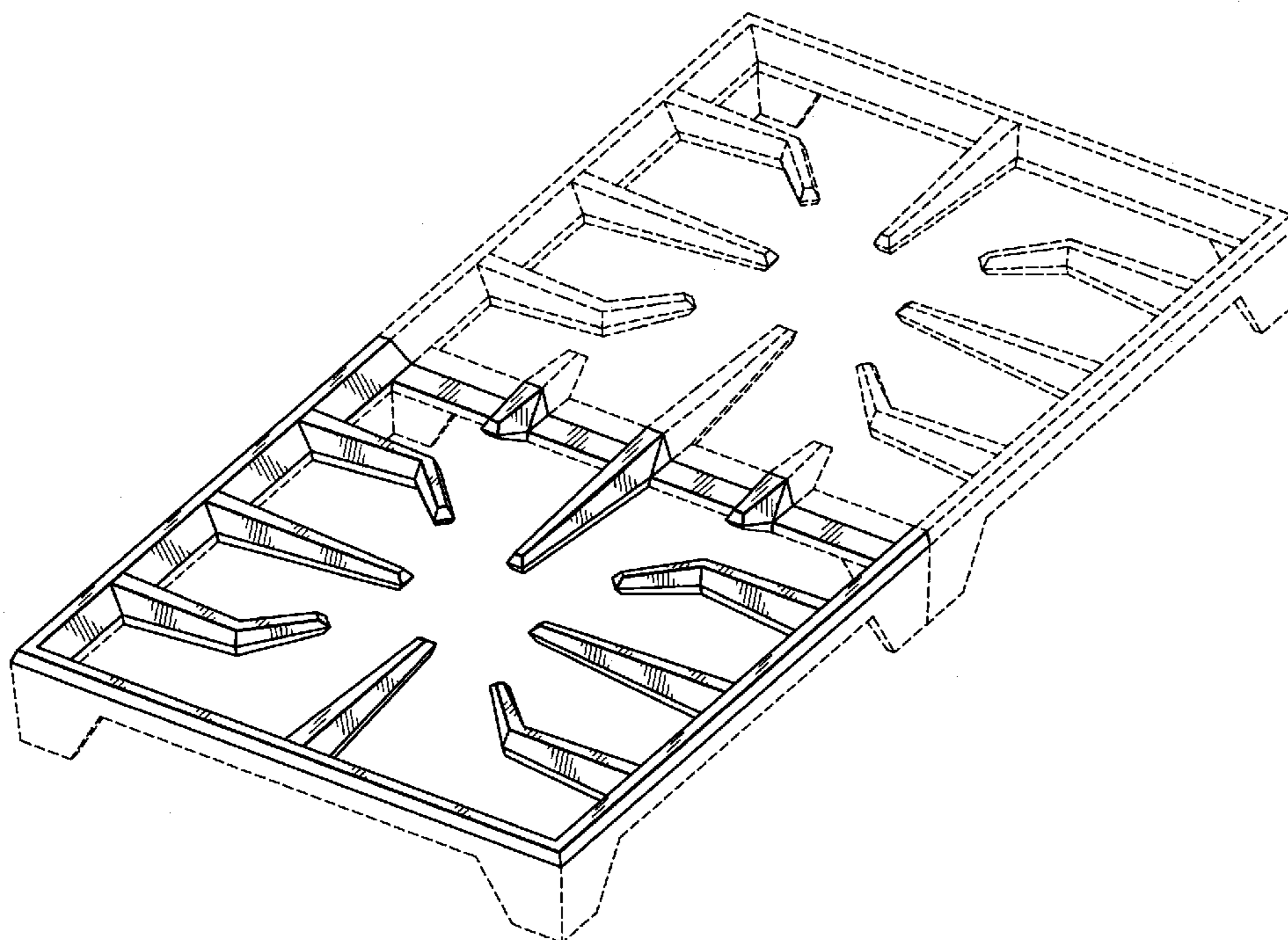
FIG. 3 is a bottom plan view thereof;

FIG. 4 is a front elevational view thereof, with the lower
boundary shown in broken lines forming no part of the
claimed design and the first and second side elevational views
being identical images of FIG. 1; and,

FIG. 5 is a rear elevational view thereof.

The broken are included for the purpose of illustrating por-
tions of the burner grate that forms no part of the claimed
design.

1 Claim, 3 Drawing Sheets



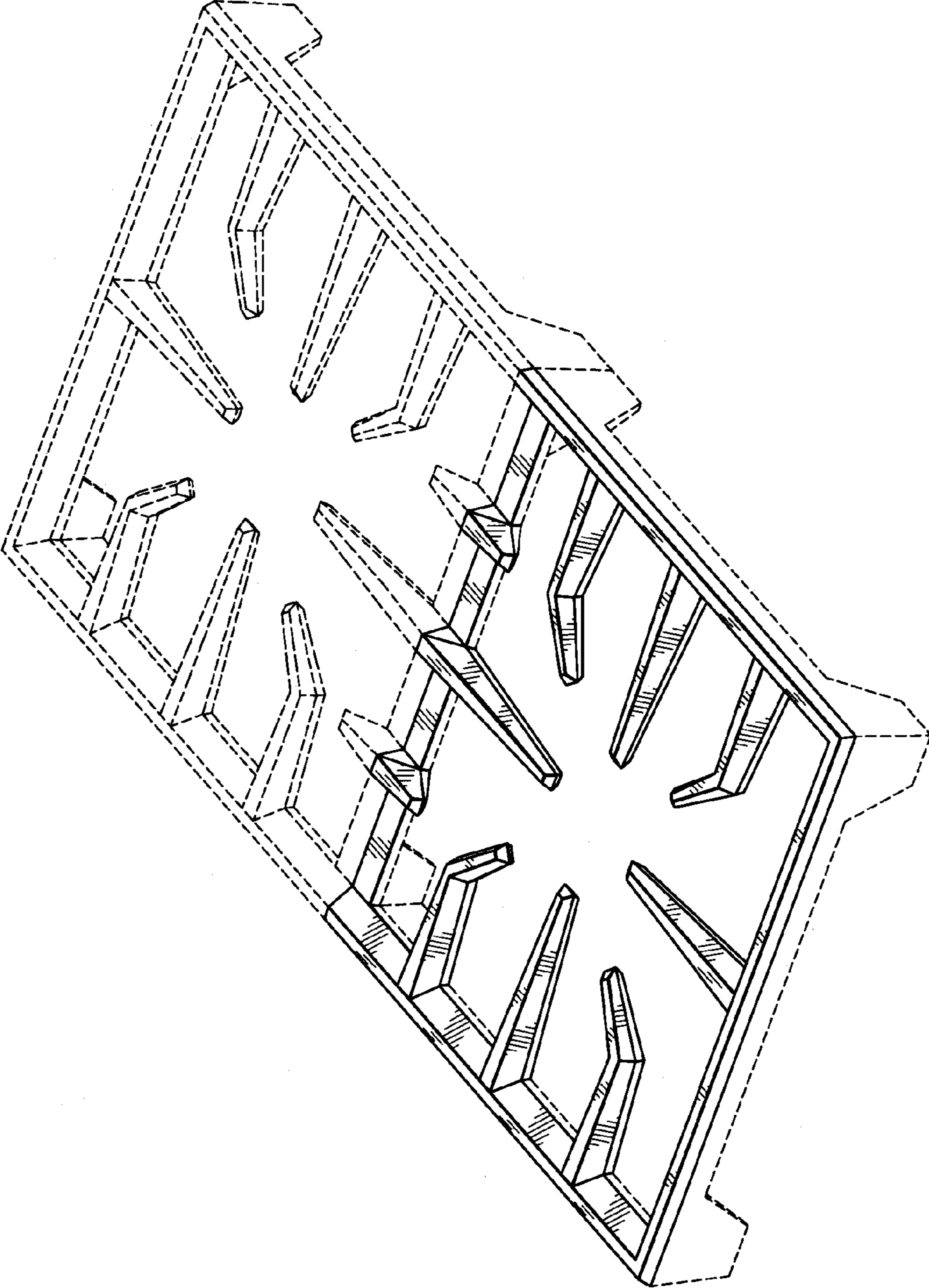


Fig. 1

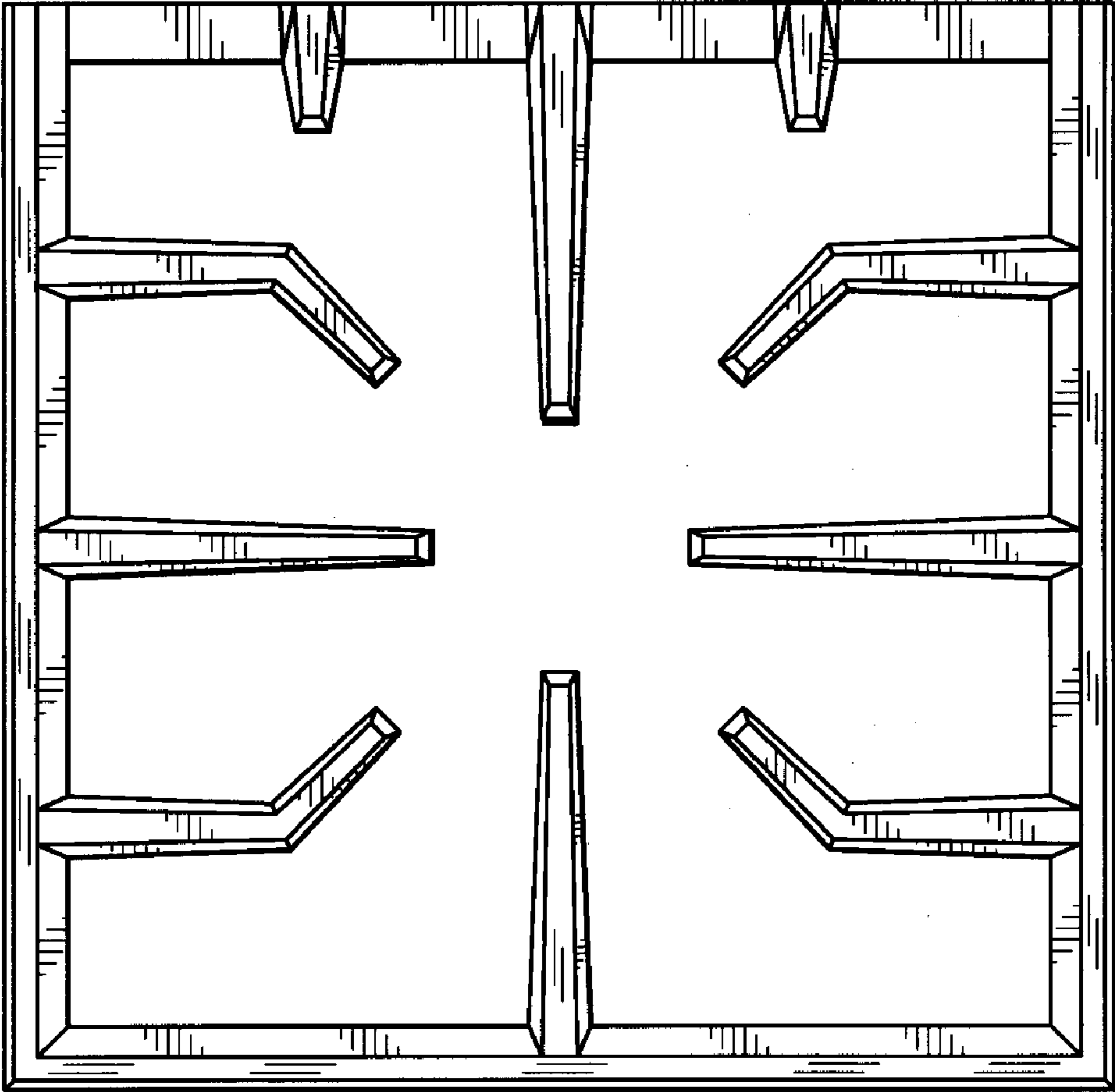


Fig. 2

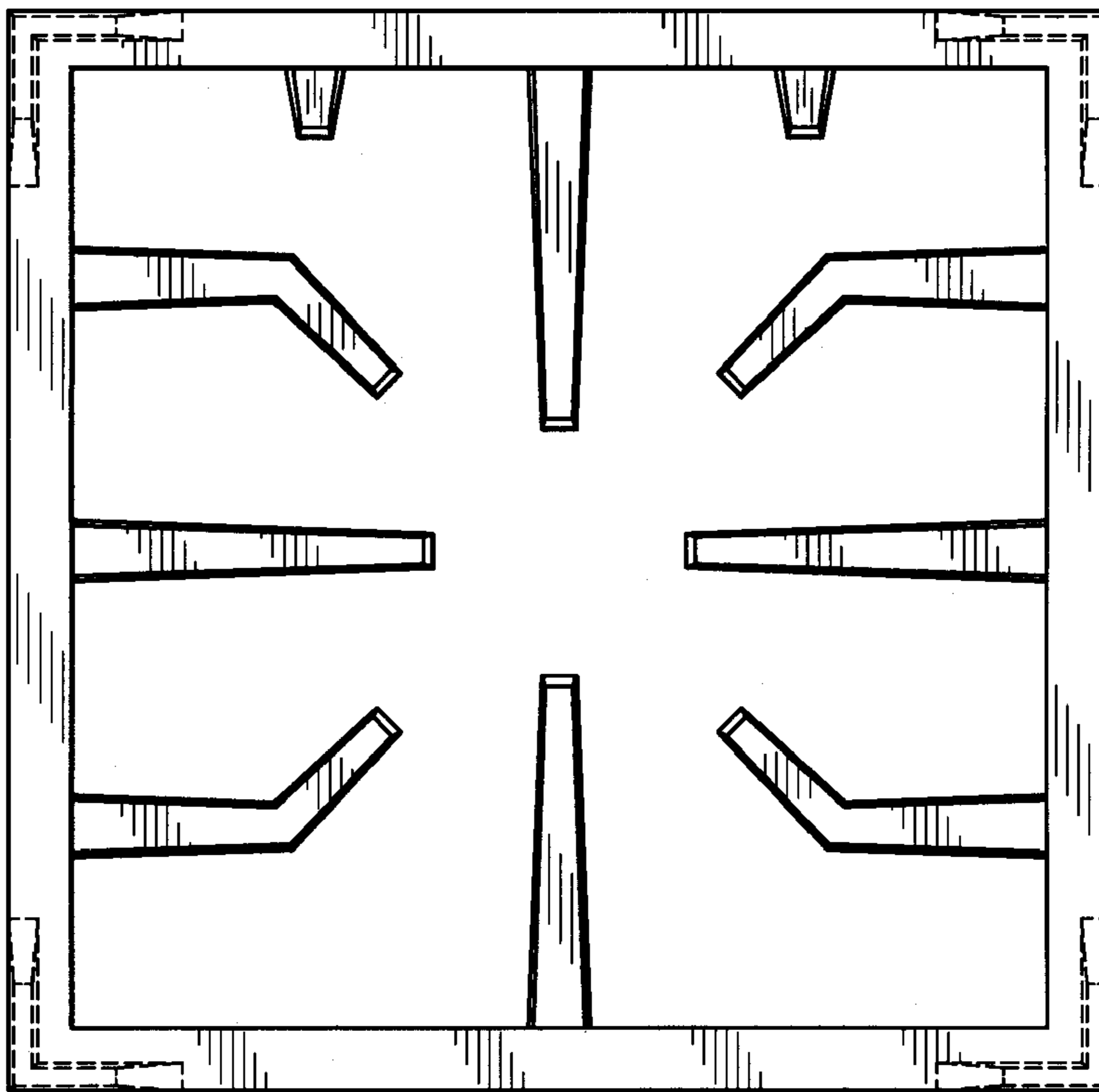


Fig. 3

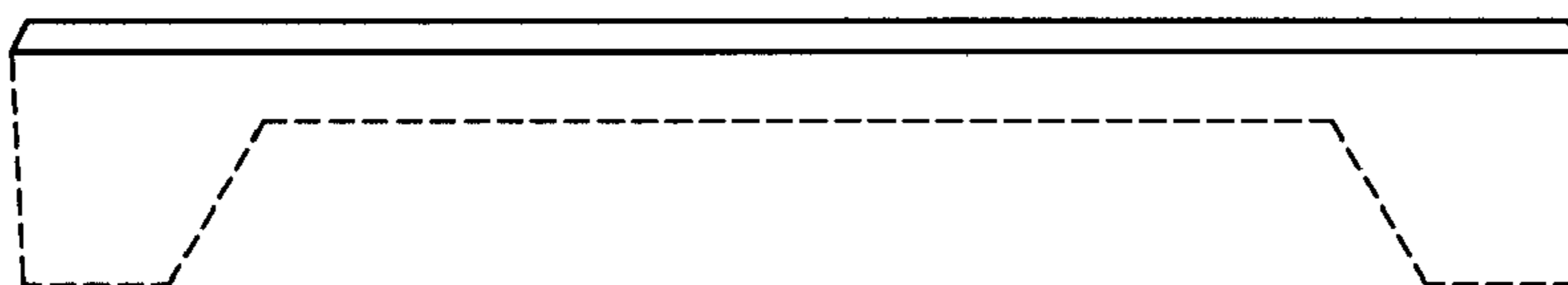


Fig. 4

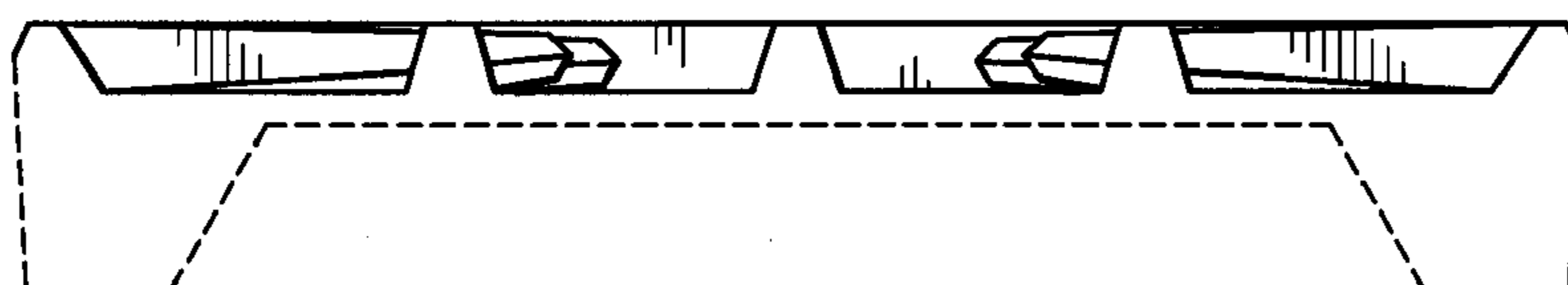


Fig. 5