

US00D602737S

(12) **United States Design Patent**  
**Barkhouse et al.**

(10) **Patent No.:** **US D602,737 S**

(45) **Date of Patent:** **\*\* Oct. 27, 2009**

(54) **BARBEQUE TEMPERATURE CONTROL**

(56)

**References Cited**

(75) Inventors: **Sydney Barkhouse**, Ontario (CA);  
**Stuart T. McKenzie**, Ontario (CA)

U.S. PATENT DOCUMENTS

(73) Assignee: **Wolfedale Engineering Limited**,  
Brampton, Ontario (CA)

D502,357 S *	3/2005	Pai .....	D7/334
D534,764 S *	1/2007	Debord et al. ....	D7/402
D539,087 S *	3/2007	McKenzie .....	D7/402
D541,101 S *	4/2007	Ritterling .....	D7/332
D560,416 S *	1/2008	Sedberry et al. ....	D7/334
D560,953 S *	2/2008	Bruno et al. ....	D7/334

(\*\*) Term: **14 Years**

\* cited by examiner

(21) Appl. No.: **29/306,224**

*Primary Examiner*—Ruth McInroy

(22) Filed: **Apr. 4, 2008**

(74) *Attorney, Agent, or Firm*—Taylor & Aust, P.C.

**Related U.S. Application Data**

(63) Continuation of application No. PCT/CA2007/  
002085, filed on Nov. 16, 2007.

(57)

**CLAIM**

(30) **Foreign Application Priority Data**

Jan. 30, 2008 (CA) ..... 124513

The ornamental design for a barbeque temperature control, as shown and described.

(51) **LOC (9) Cl.** ..... **07-02**

(52) **U.S. Cl.** ..... **D7/406**

(58) **Field of Classification Search** ..... D7/332,  
D7/334–337, 402–405, 407; 126/25 R, 29–30,  
126/25 A, 25 AA, 38, 37 R, 41 R, 40, 39 E,  
126/39 H, 276, 268, 519, 506; 99/481–482;  
D6/488, 480, 486; 108/50.13, 150, 51.1;  
312/236, 223.1, 351.2, 351.11, 100

**DESCRIPTION**

FIG. 1 is an isometric view of a barbeque temperature control, showing our new design;

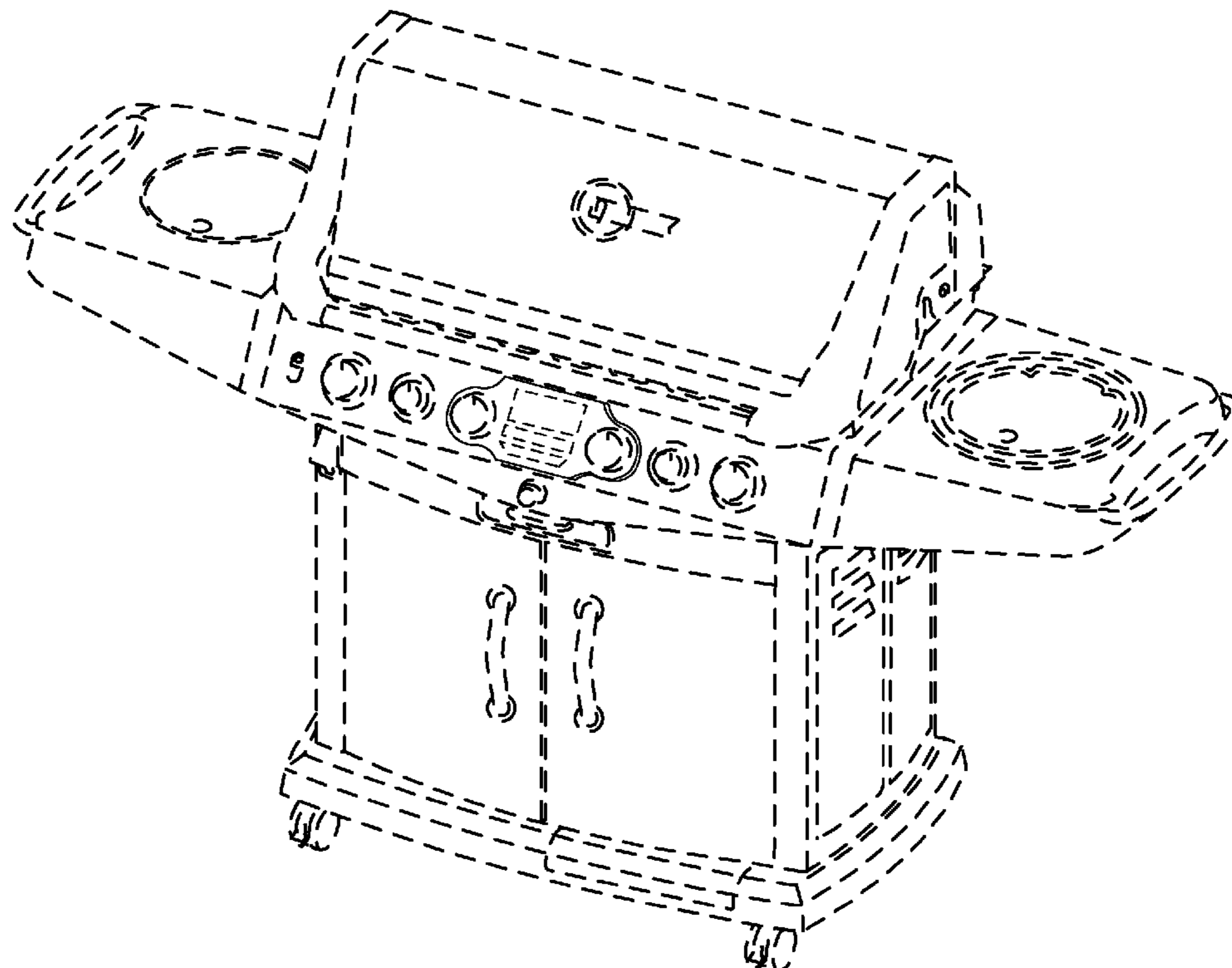
FIG. 2 is an enlarged, perspective view thereof, portions of the barbeque in FIG. 1 being broken away; and,

FIG. 3 is a front view thereof.

The details shown in broken lines form no part of the claimed design.

See application file for complete search history.

**1 Claim, 3 Drawing Sheets**



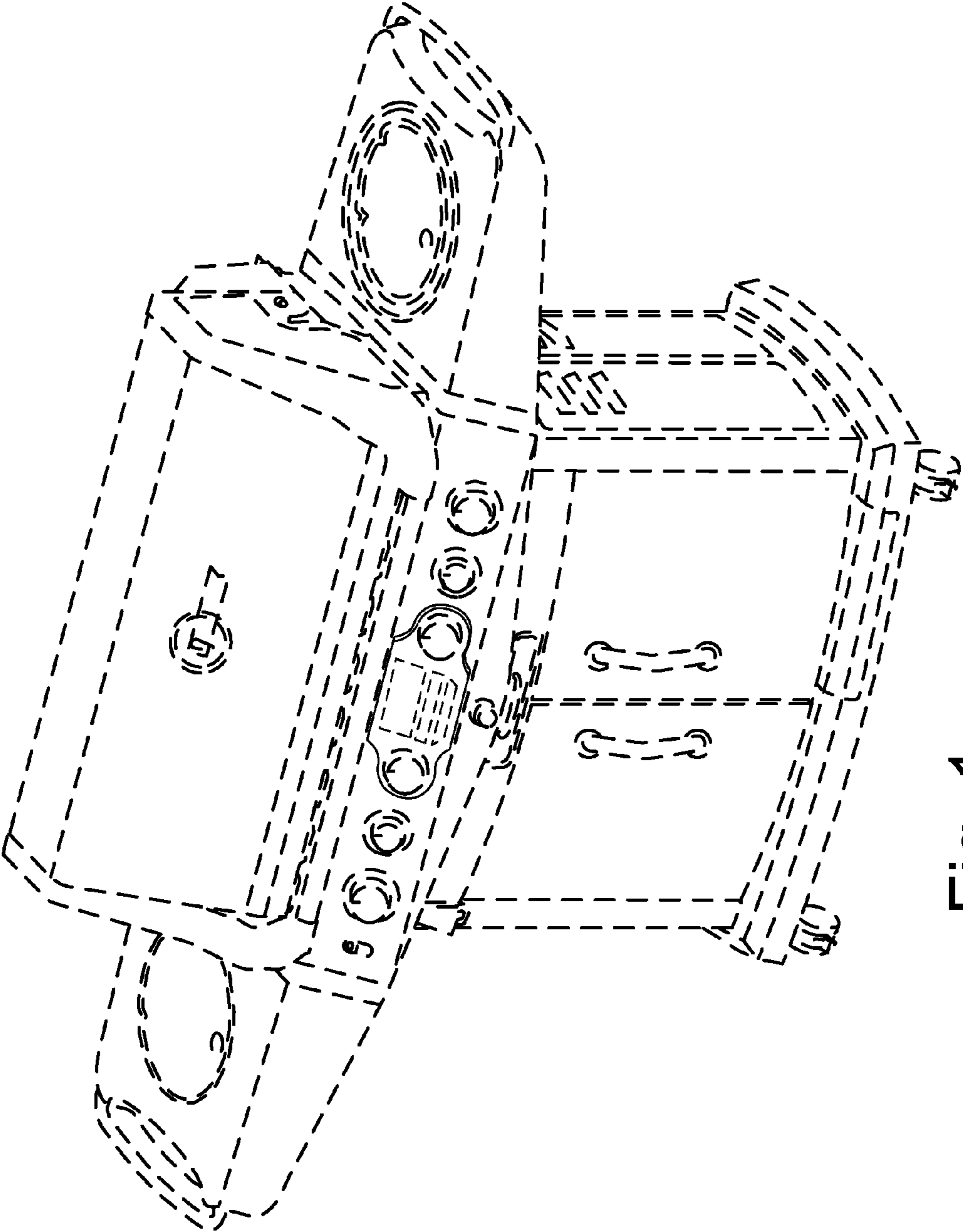


Fig. 1

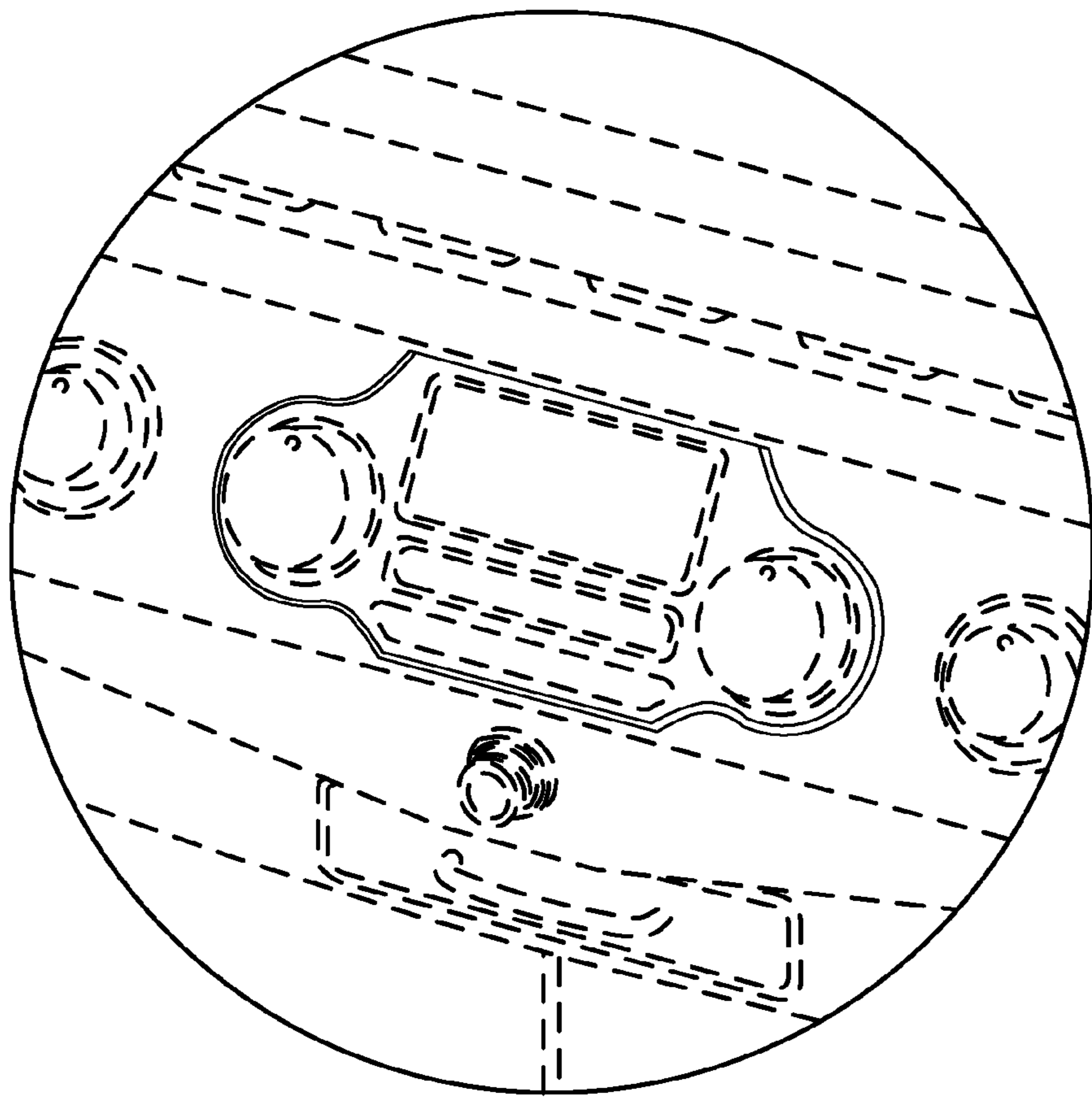


Fig. 2

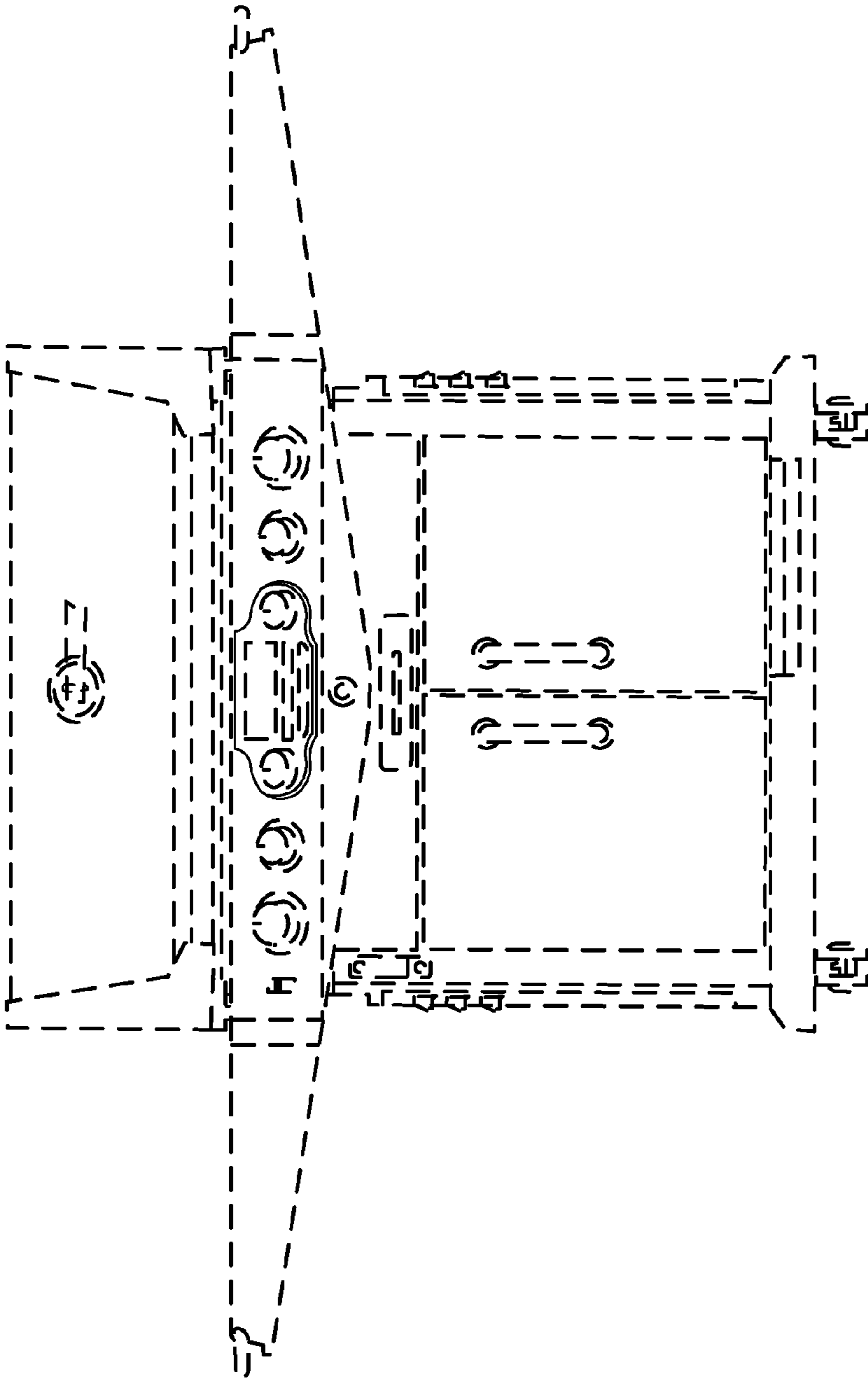


Fig. 3