



US00D602732S

(12) **United States Design Patent**
Busse et al.

(10) **Patent No.:** **US D602,732 S**
(45) **Date of Patent:** **** Oct. 27, 2009**

(54) **COOKWARE**

(75) Inventors: **Isabelle Busse**, New York, NY (US);
Paul Fluhr, New York, NY (US)

(73) Assignee: **Gaiam Americas, Inc.**, New York, NY (US)

(**) Term: **14 Years**

(21) Appl. No.: **29/315,192**

(22) Filed: **Jun. 2, 2009**

(51) **LOC (9) Cl.** **07-02**

(52) **U.S. Cl.** **D7/352**

(58) **Field of Classification Search** D7/323,
D7/328-332, 334-341, 347-349, 350.3, 351-363,
D7/609; 99/219, 331, 339-340, 349, 369,
99/372-375, 385-386, 389, 392, 425, 444,
99/446, 466, 601, 618, 620; 219/524-525,
219/620-622, 732-734

See application file for complete search history.

(56) **References Cited**

U.S. PATENT DOCUMENTS

D321,110 S *	10/1991	Worrell et al.	D7/350.3
D347,548 S *	6/1994	Boehm et al.	D7/352
D411,937 S *	7/1999	Siegler et al.	D7/352
D419,823 S *	2/2000	Choi	D7/352
6,125,740 A *	10/2000	Hedrington et al.	99/392
D451,754 S *	12/2001	Cousins et al.	D7/352
D456,666 S *	5/2002	Monguilod	D7/351
D467,766 S *	12/2002	Wanat et al.	D7/352
D504,047 S *	4/2005	Schmidt et al.	D7/352
D536,209 S *	2/2007	Tayyab et al.	D7/352
D543,410 S *	5/2007	Cohen et al.	D7/352

* cited by examiner

Primary Examiner—Caron Veynar

Assistant Examiner—Ricky Pham

(74) *Attorney, Agent, or Firm*—Patrick F. Bright

(57) **CLAIM**

The ornamental design for cookware, as shown.

DESCRIPTION

FIG. 1. is a perspective view of a first embodiment of my design

FIG. 2. is a top plan view of a first embodiment of my design

FIG. 3. is a front end elevation view of a first embodiment of my design

FIG. 4. is a rear end elevation view of a first embodiment of my design

FIG. 5. is a right side elevation view of a first embodiment of my design

FIG. 6. is a left side elevation view of a first embodiment of my design

FIG. 7. is a bottom plan elevation view of a first embodiment of my design

FIG. 8. is a top plan view of a second embodiment of my design

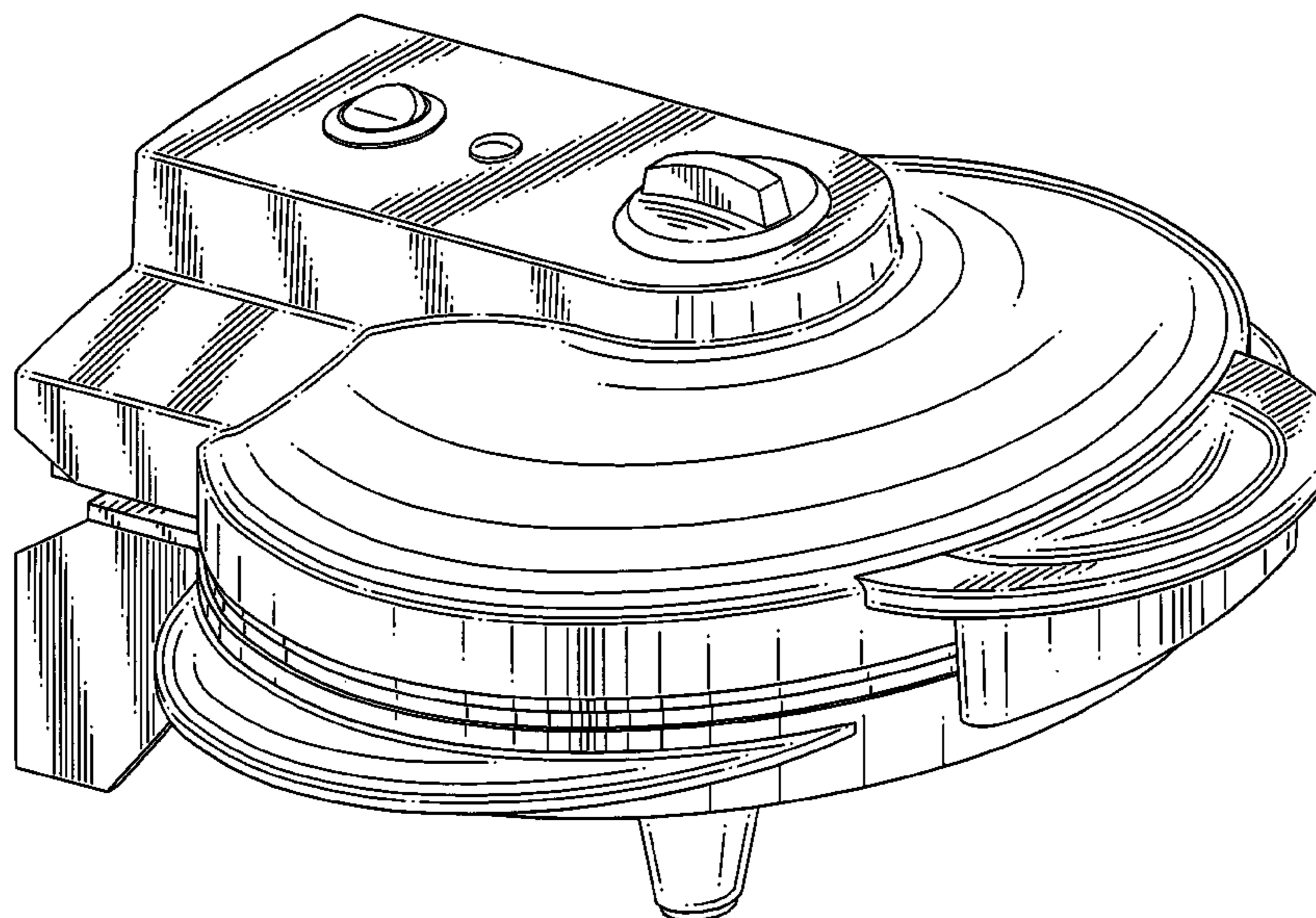
FIG. 9. is a right side elevation view of a second embodiment of my design

FIG. 10. is a left side elevation view of a second embodiment of my design

FIG. 11 is a bottom plan view of a second embodiment of my design; and,

FIG. 12 is a front end view of a second embodiment of my design.

1 Claim, 11 Drawing Sheets



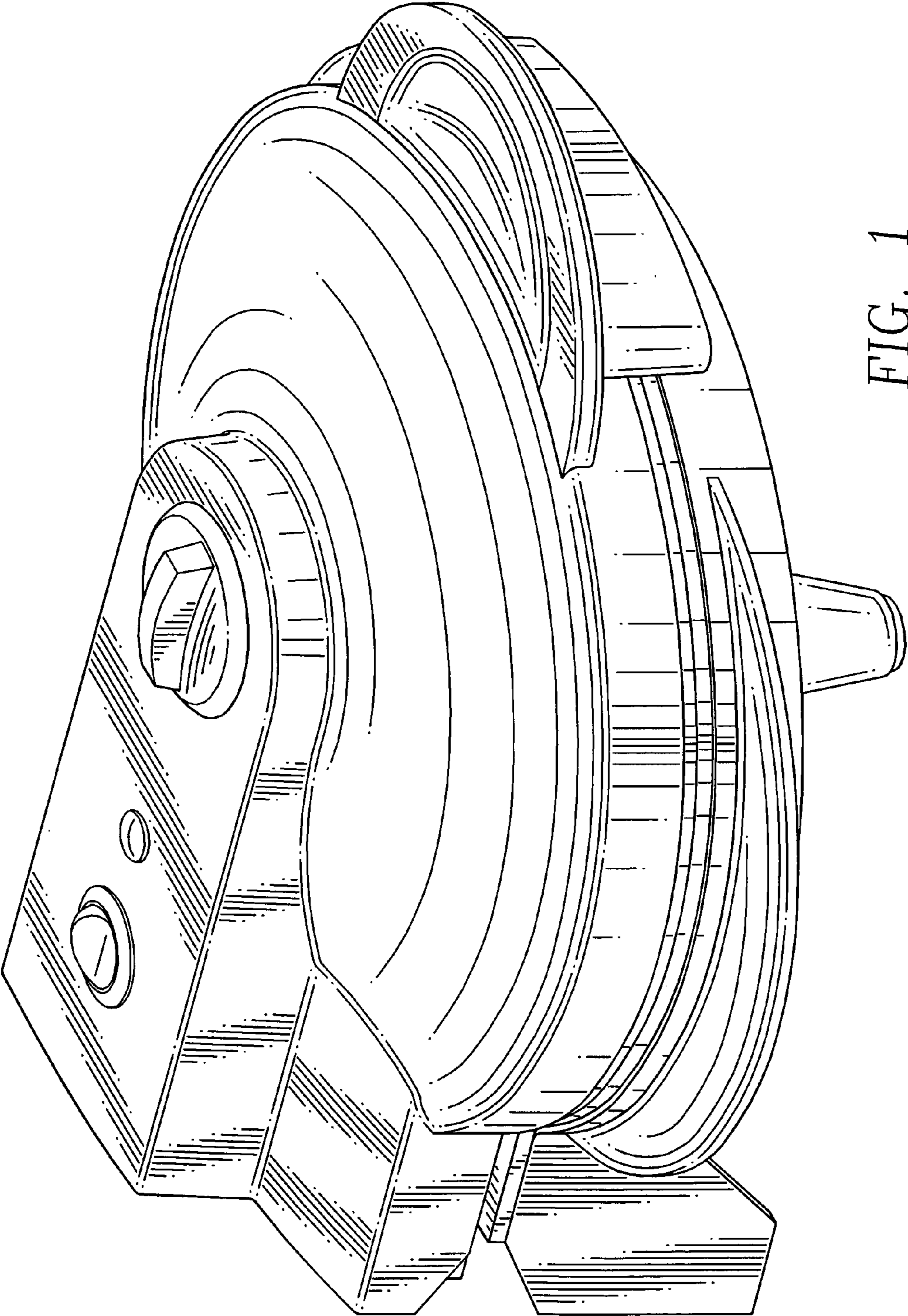


FIG. 1

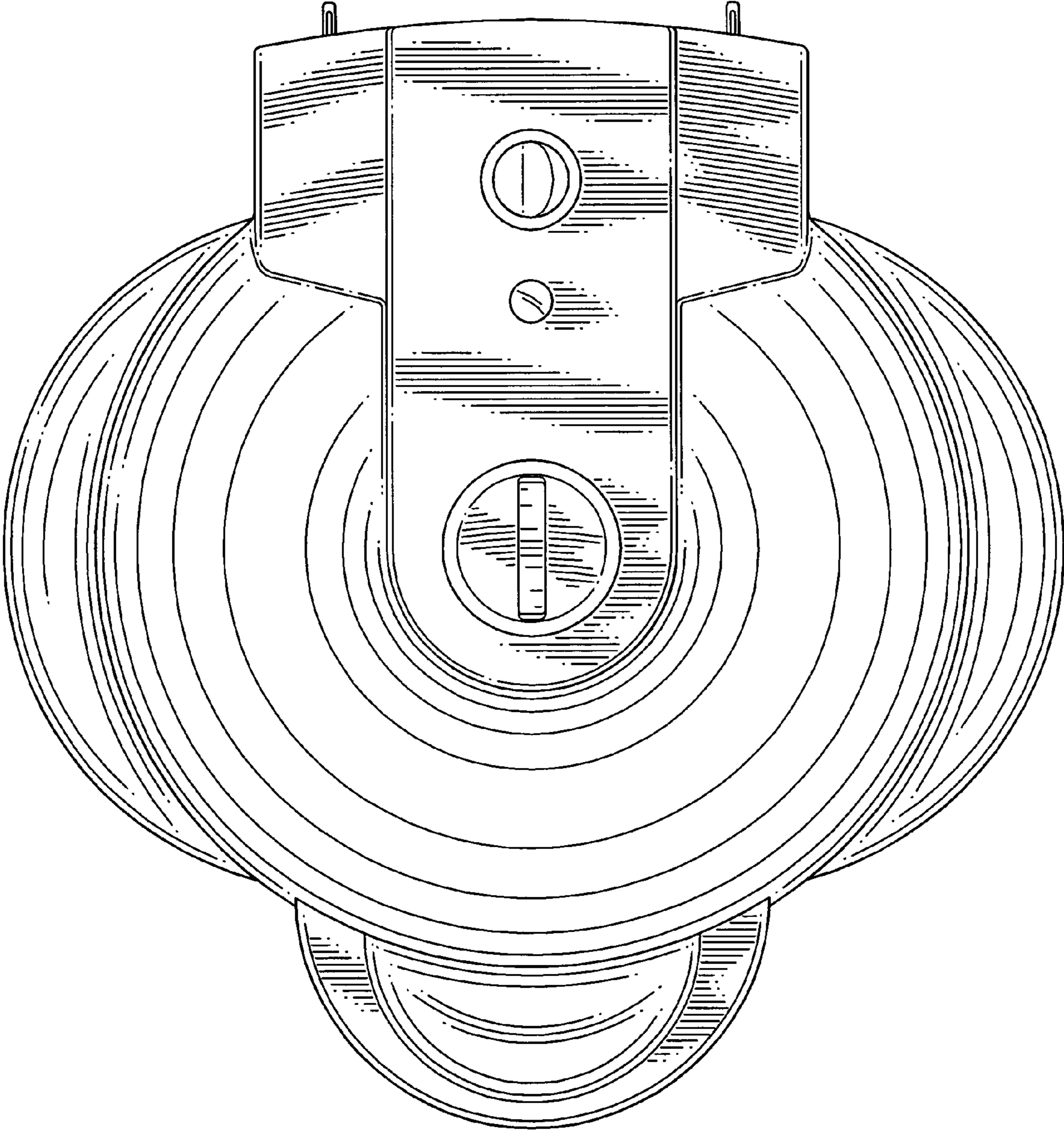


FIG. 2

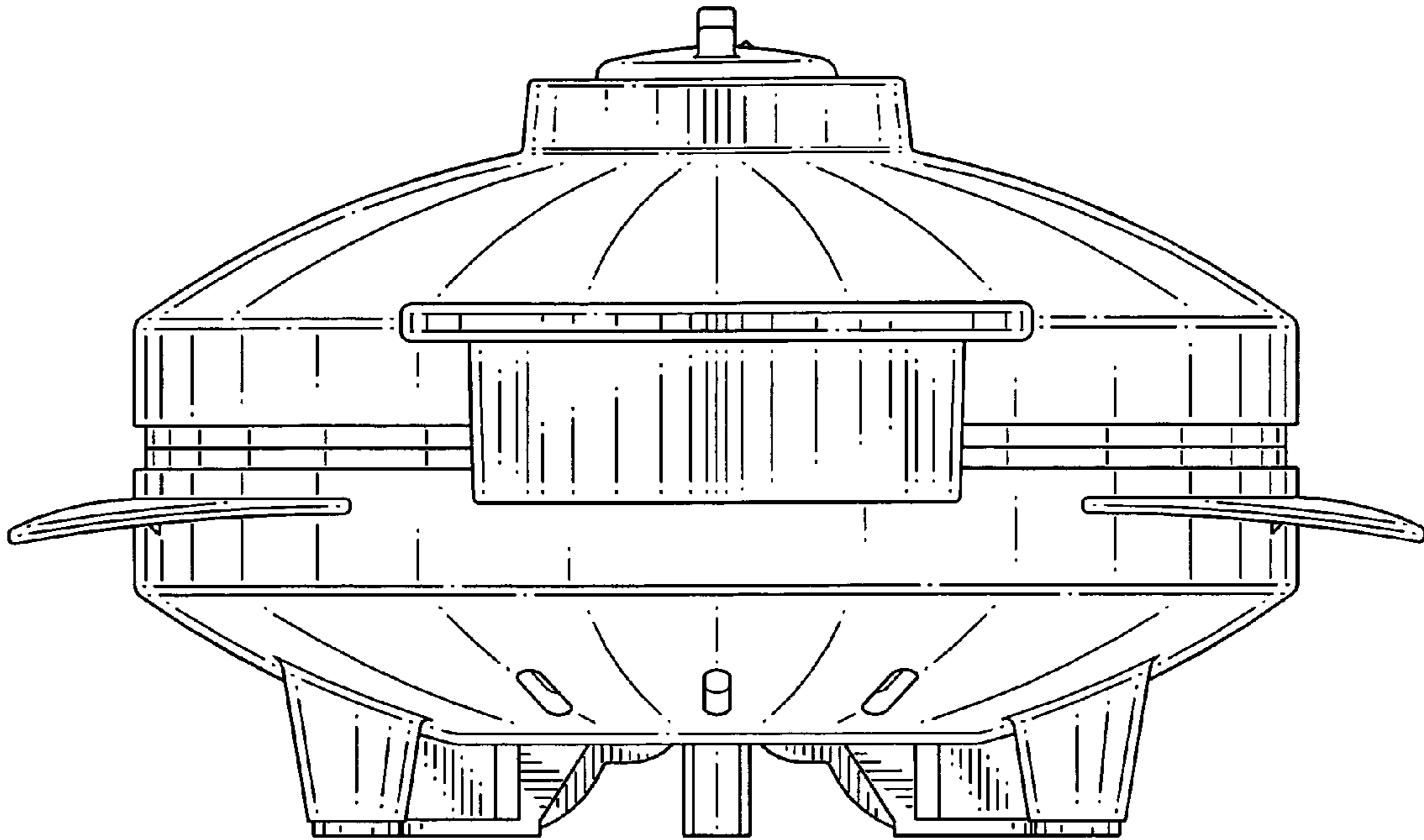


FIG. 3

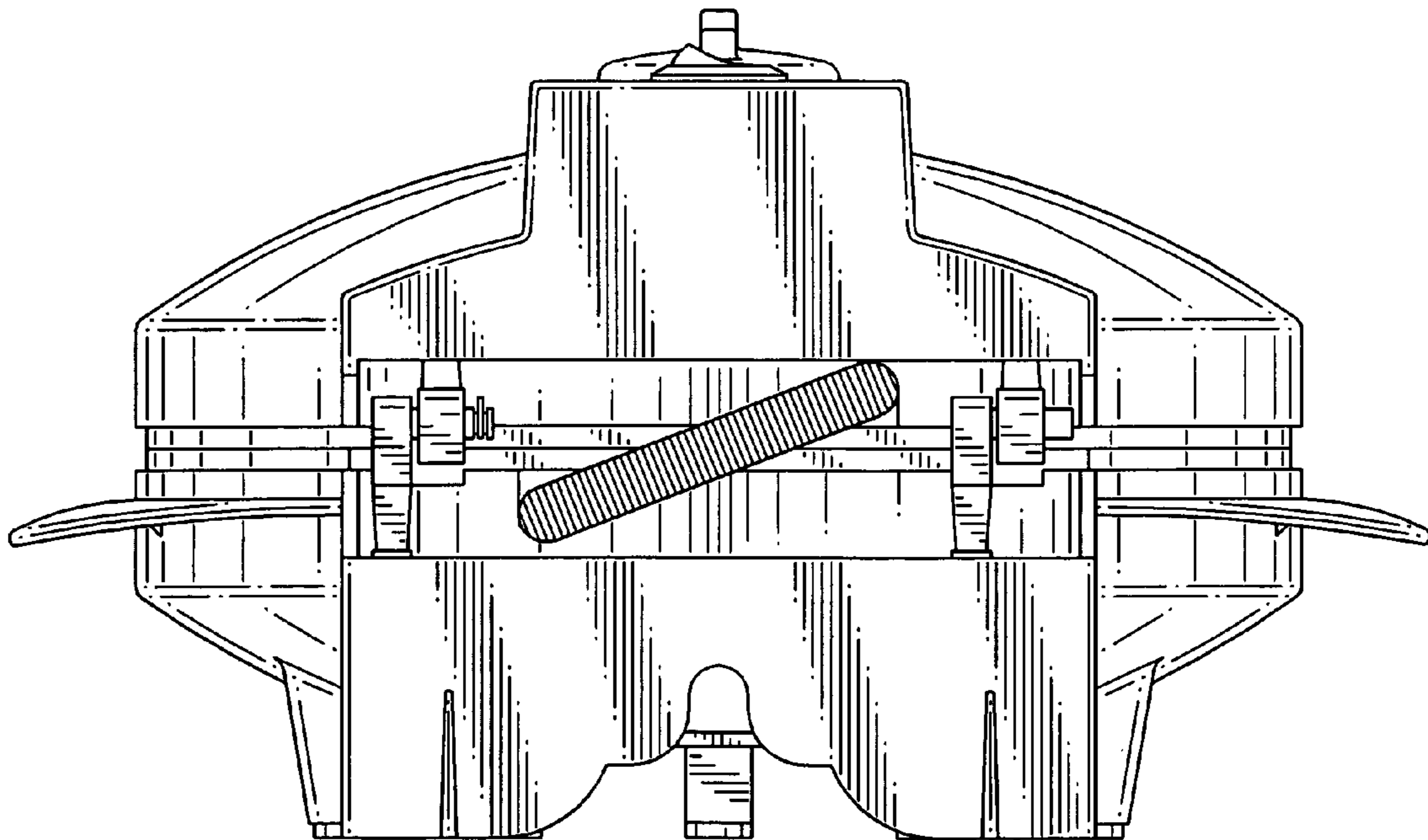


FIG. 4

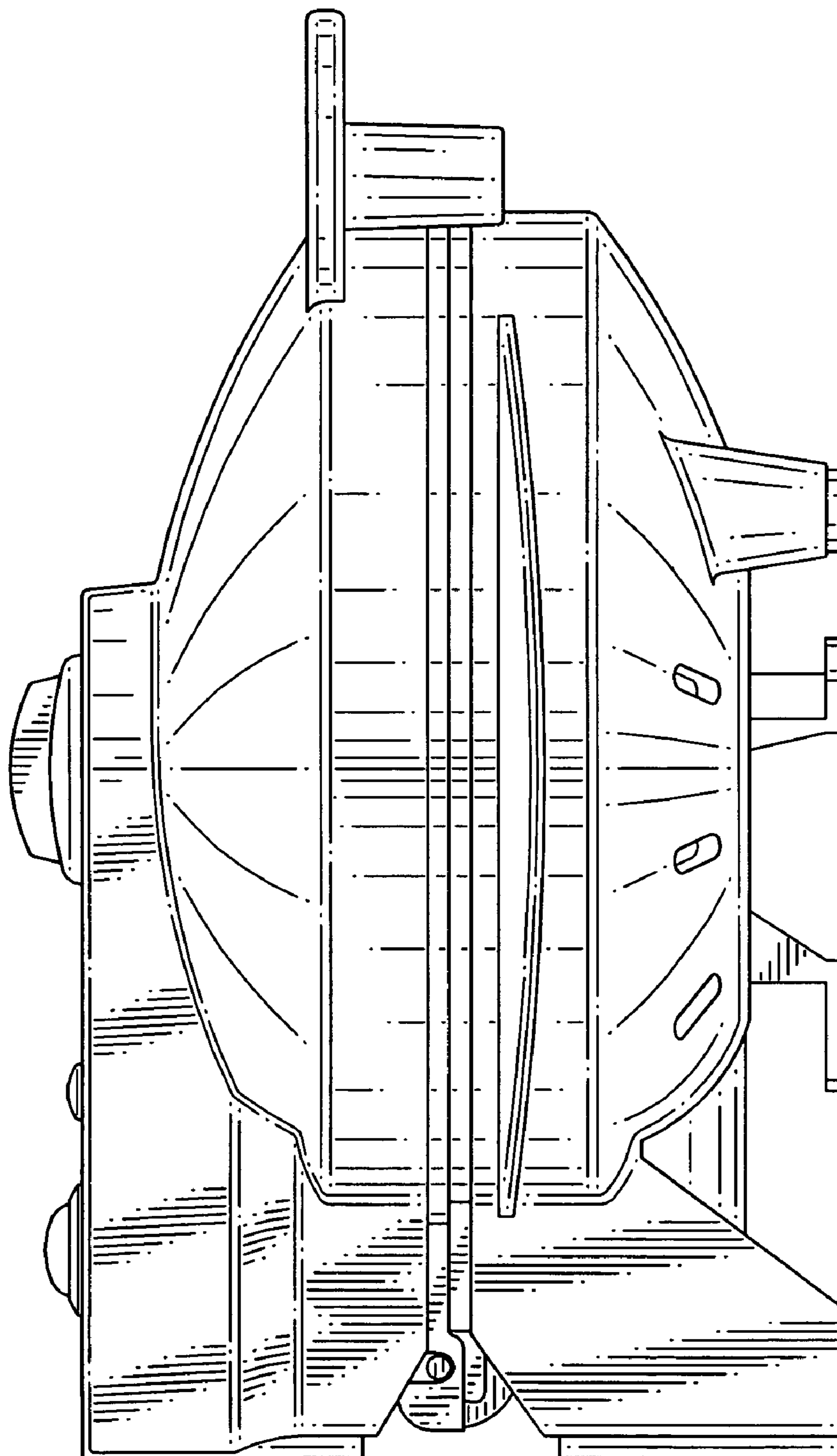


FIG. 5

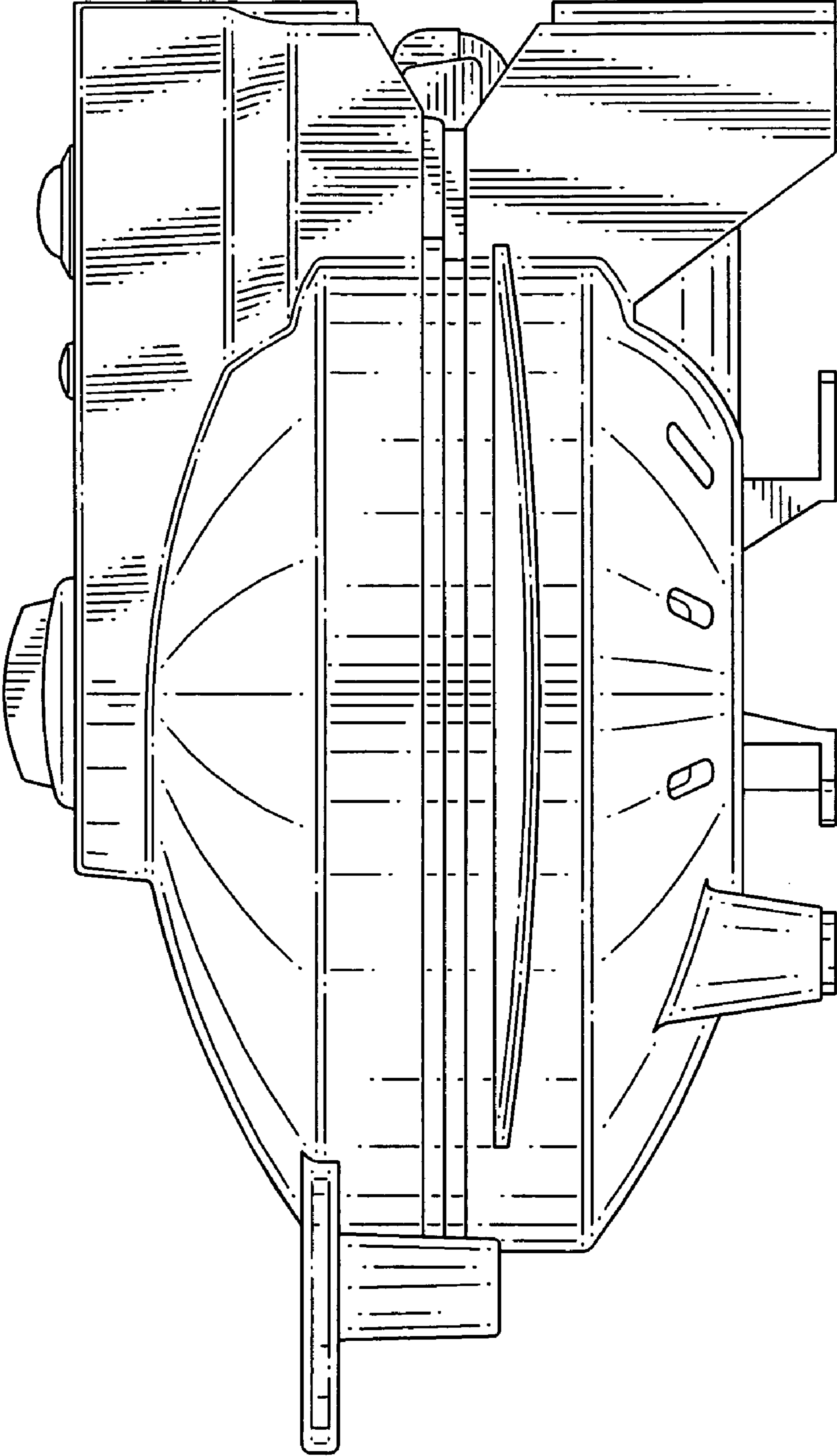


FIG. 6

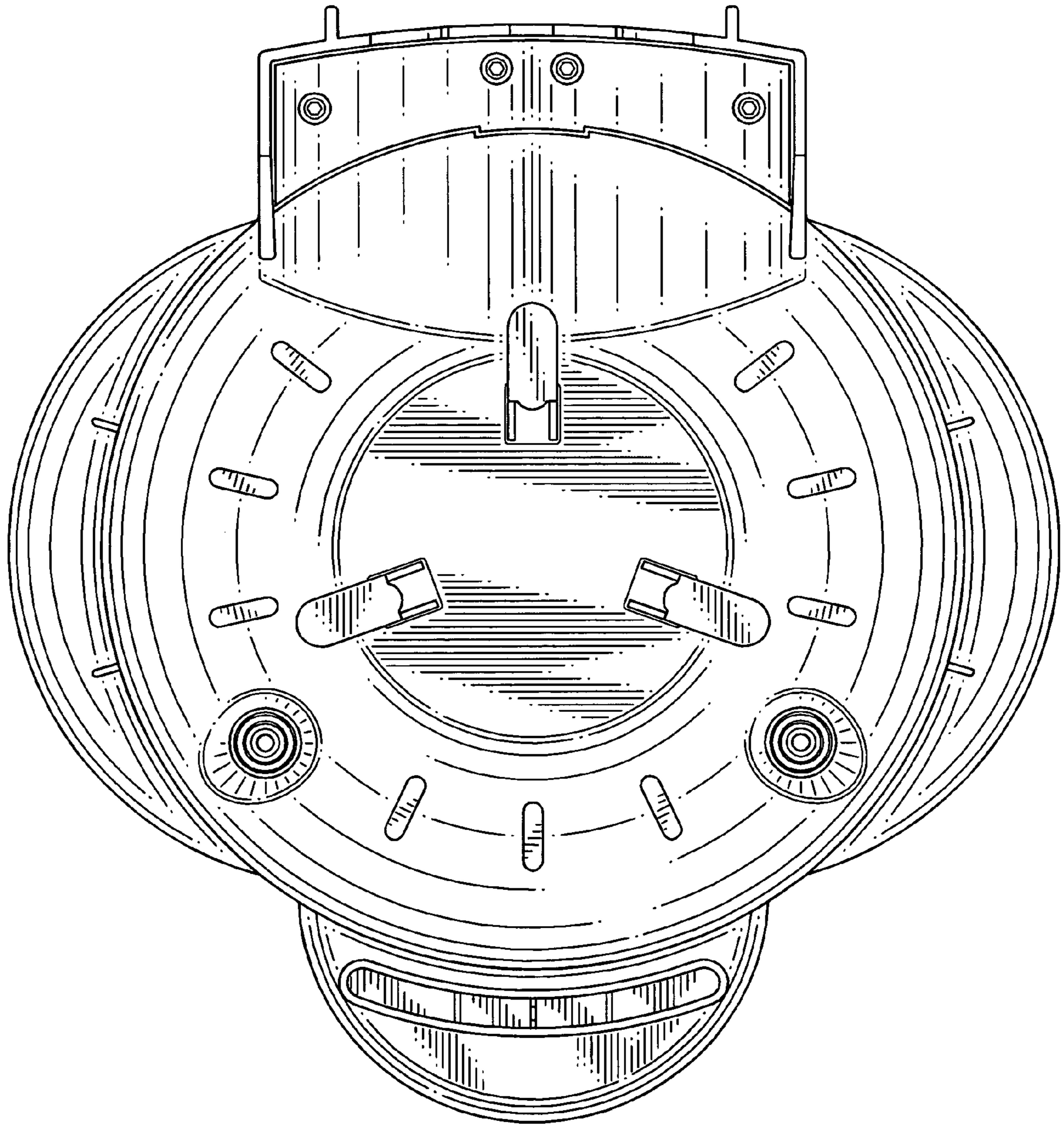


FIG. 7

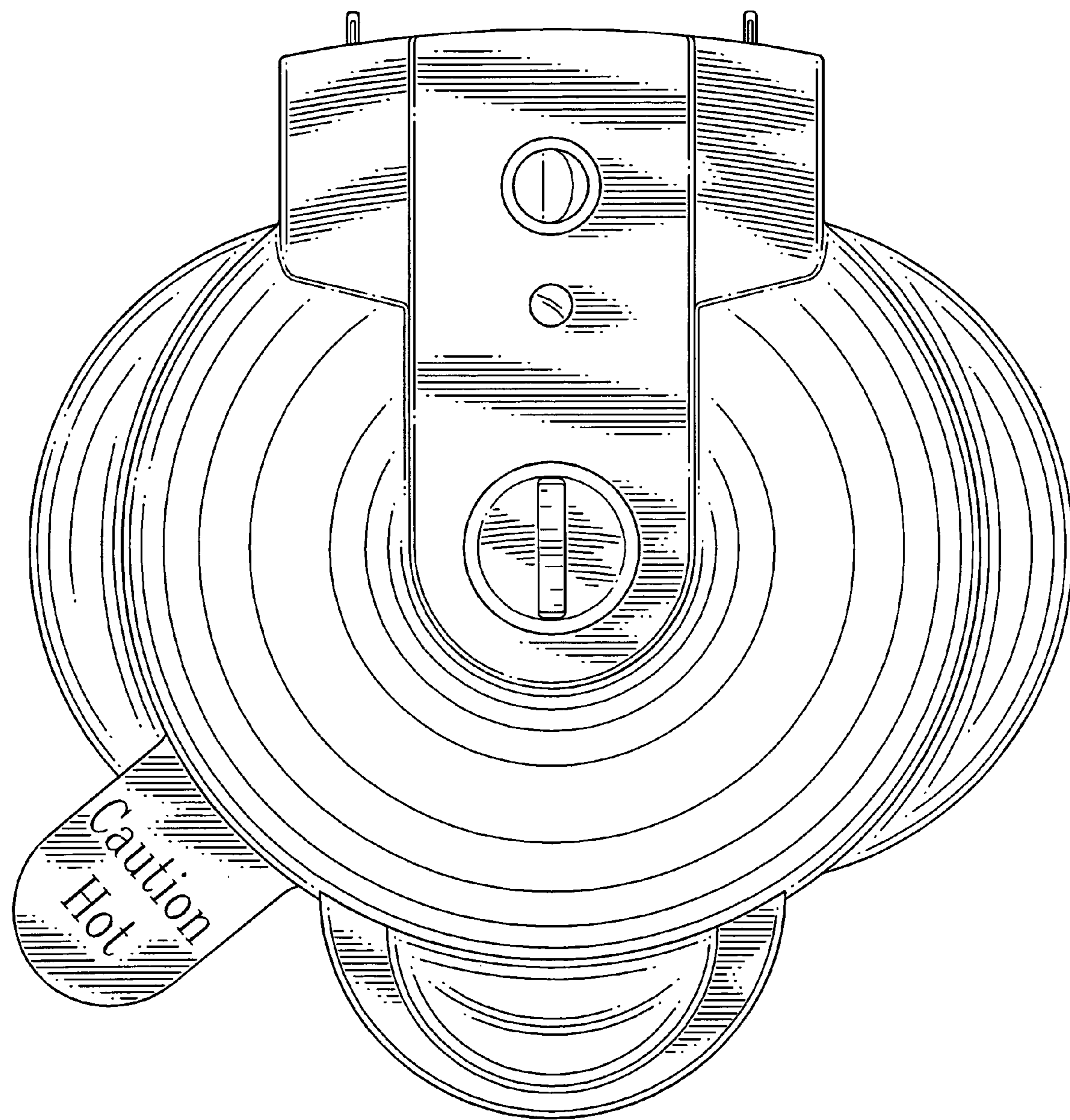


FIG. 8

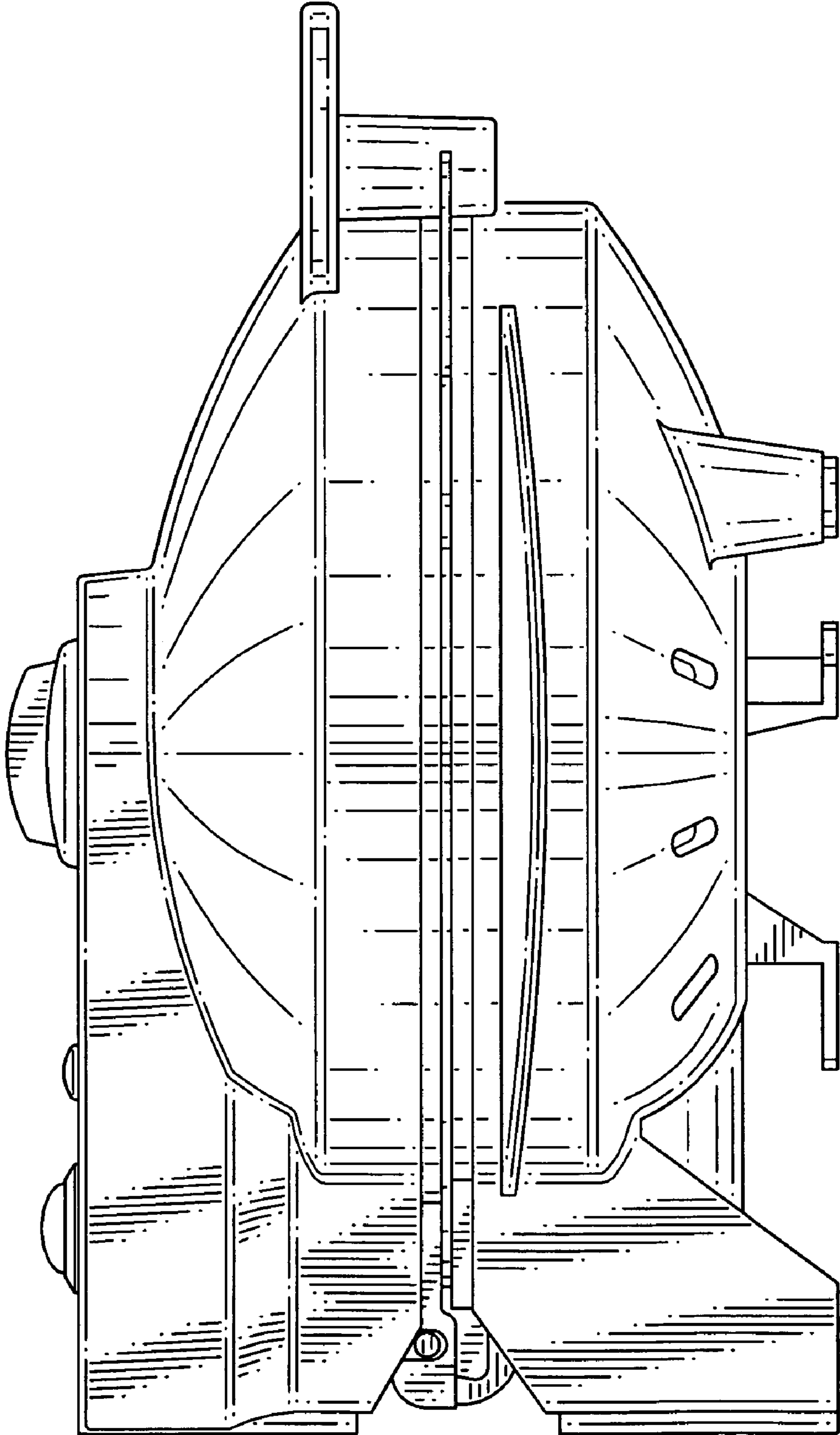


FIG. 9

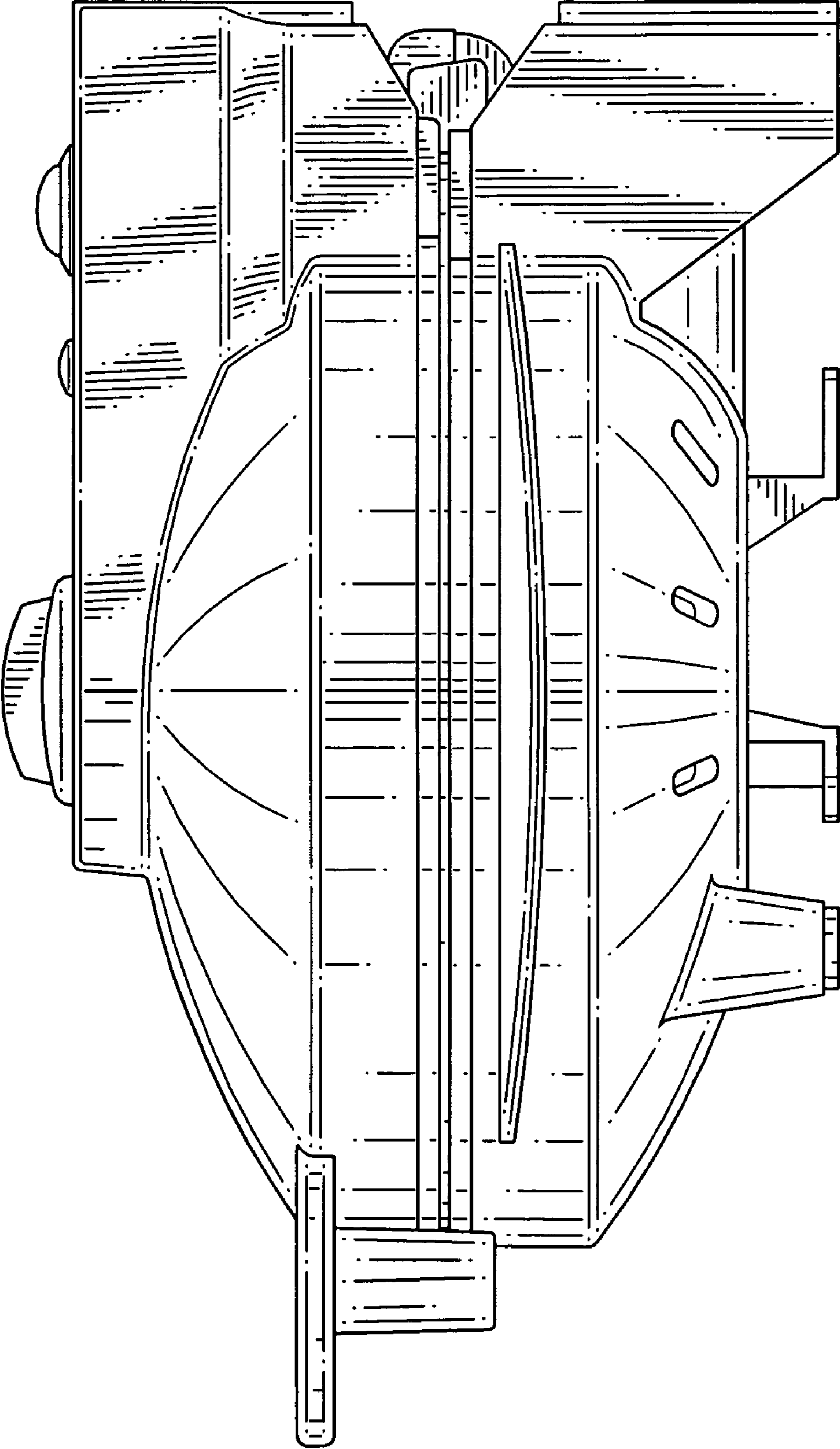


FIG. 10

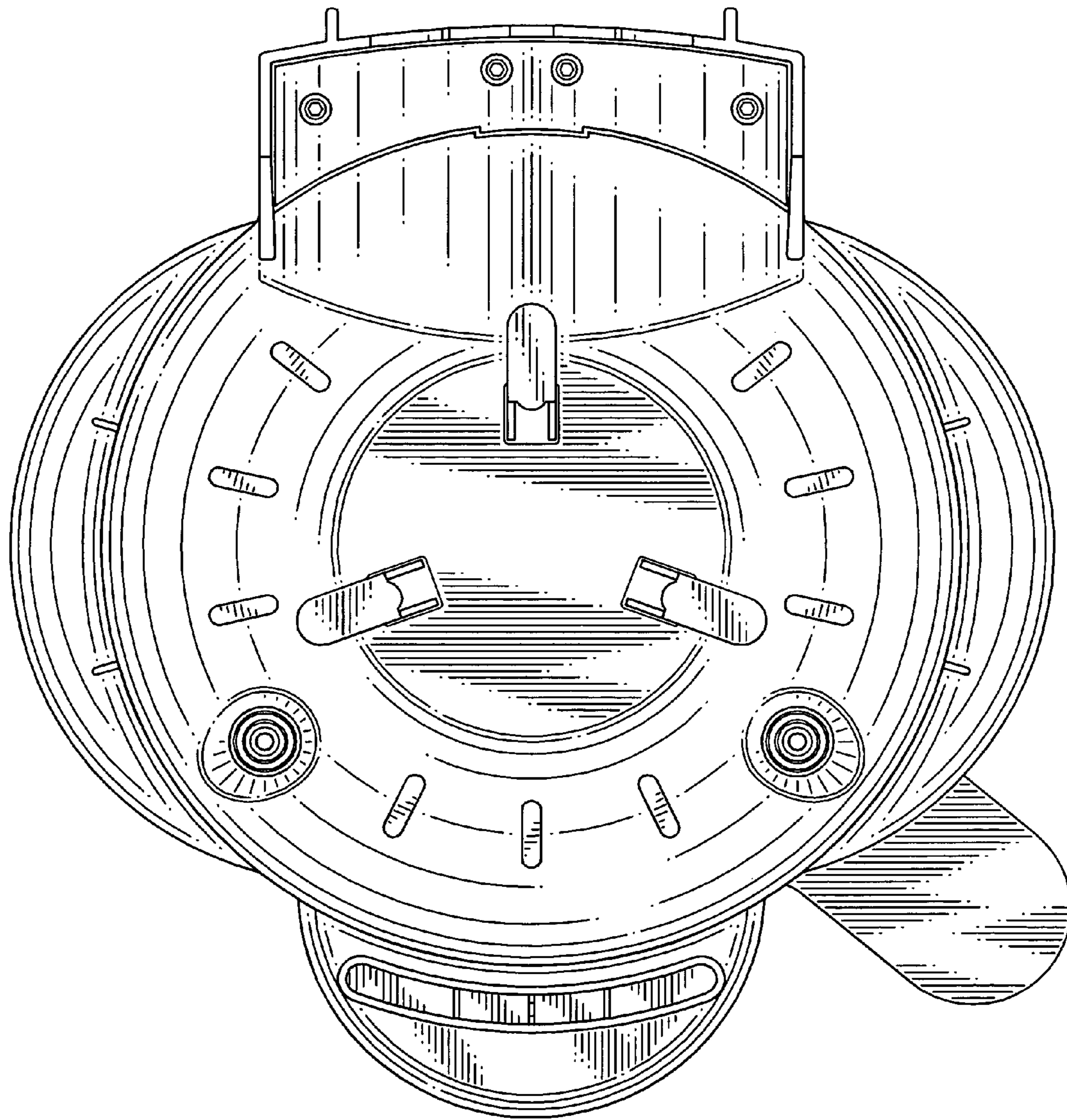


FIG. 11

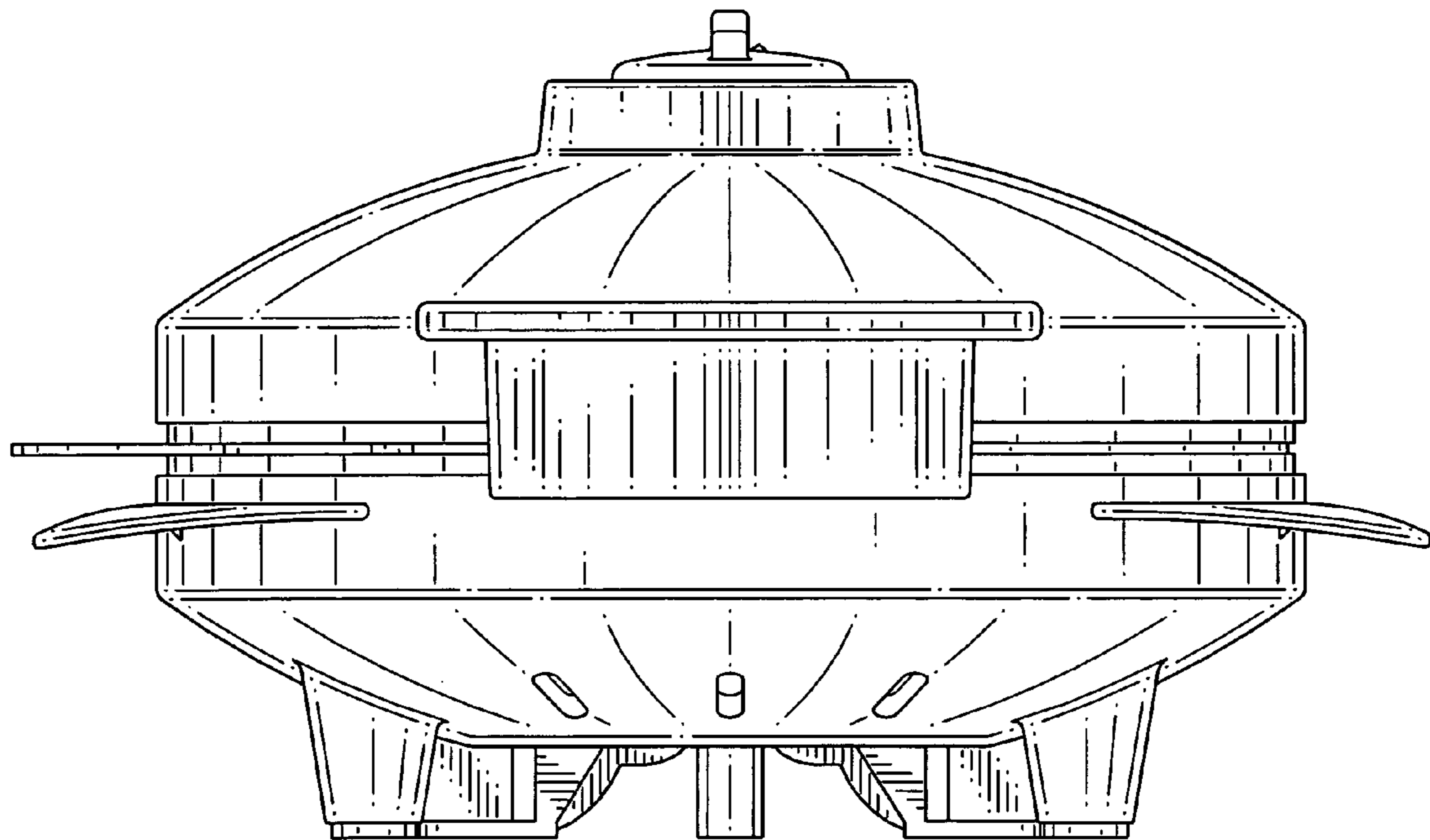


FIG. 12