



US00D602731S

(12) **United States Design Patent**  
**Mankowitz**

(10) **Patent No.:** **US D602,731 S**  
(45) **Date of Patent:** **\*\* Oct. 27, 2009**

- (54) **PITCHER WITH A LID**
- (75) Inventor: **Perry Mankowitz**, Lidingö (SE)
- (73) Assignee: **Coolinvent AB**, Stockholm (SE)
- (\*\*) Term: **14 Years**
- (21) Appl. No.: **29/333,765**
- (22) Filed: **Mar. 13, 2009**

**Related U.S. Application Data**

- (62) Division of application No. 29/274,902, filed on Jun. 6, 2007.
- (51) **LOC (9) Cl.** ..... **07-01**
- (52) **U.S. Cl.** ..... **D7/319; D7/316**
- (58) **Field of Classification Search** ..... D7/300,  
D7/316-319, 321, 312, 691, 600; 222/129.1-129.4,  
222/144.5, 465.1; 99/295, 298, 307; 210/87,  
210/282; D10/46.2; D23/207, 209; 215/12.1  
See application file for complete search history.

(56) **References Cited**

**U.S. PATENT DOCUMENTS**

RE3,357 E	4/1869	Atterbury et al.	
D74,713 S	3/1928	Beam	
D173,455 S *	11/1954	Reinecke et al.	D7/317
D184,814 S	4/1959	James	
D187,612 S *	4/1960	Wistrand	D7/317
D250,869 S	1/1979	Boelter	
D272,704 S *	2/1984	Smith	D10/46.2
D377,436 S	1/1997	Poly	
D406,003 S *	2/1999	Tanner et al.	D7/319

6,295,831 B1	10/2001	Watson	
D524,087 S *	7/2006	Ali	D7/317
D573,845 S *	7/2008	Yang et al.	D7/612
D574,924 S *	8/2008	Horiuchi et al.	D23/209

**OTHER PUBLICATIONS**

“U.S. Appl. No. 29/274,902, Response filed Feb. 17, 2009 to Restriction Requirement mailed Oct. 17, 2008”, 5 pgs.  
“Appl. No. 29/274,902, Notice of Allowance mailed Mar. 6, 2009”, 5 pgs.

\* cited by examiner

*Primary Examiner*—Marianne Pandozzi

(74) *Attorney, Agent, or Firm*—Schwegman, Lundberg & Woessner, P.A.

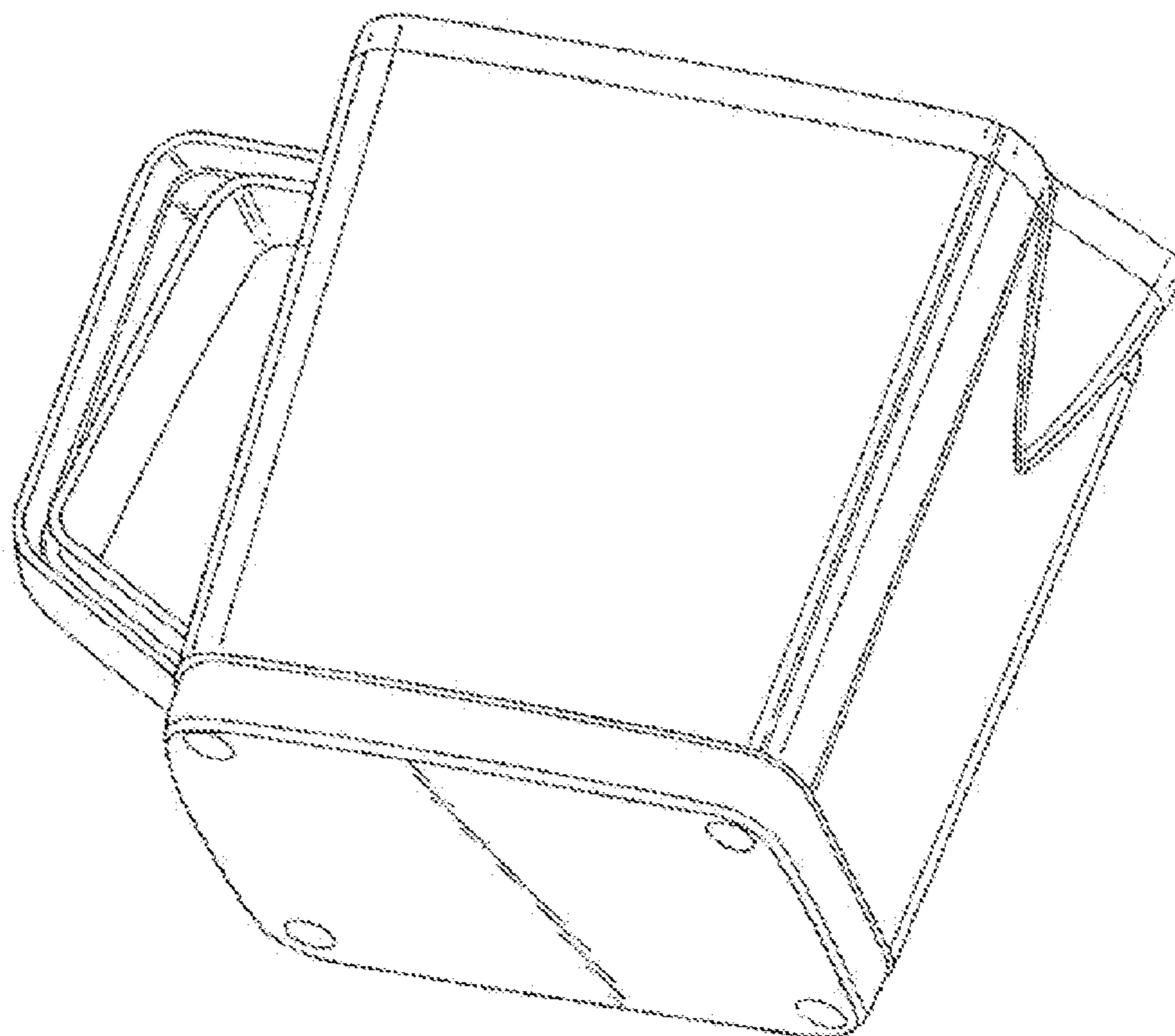
(57) **CLAIM**

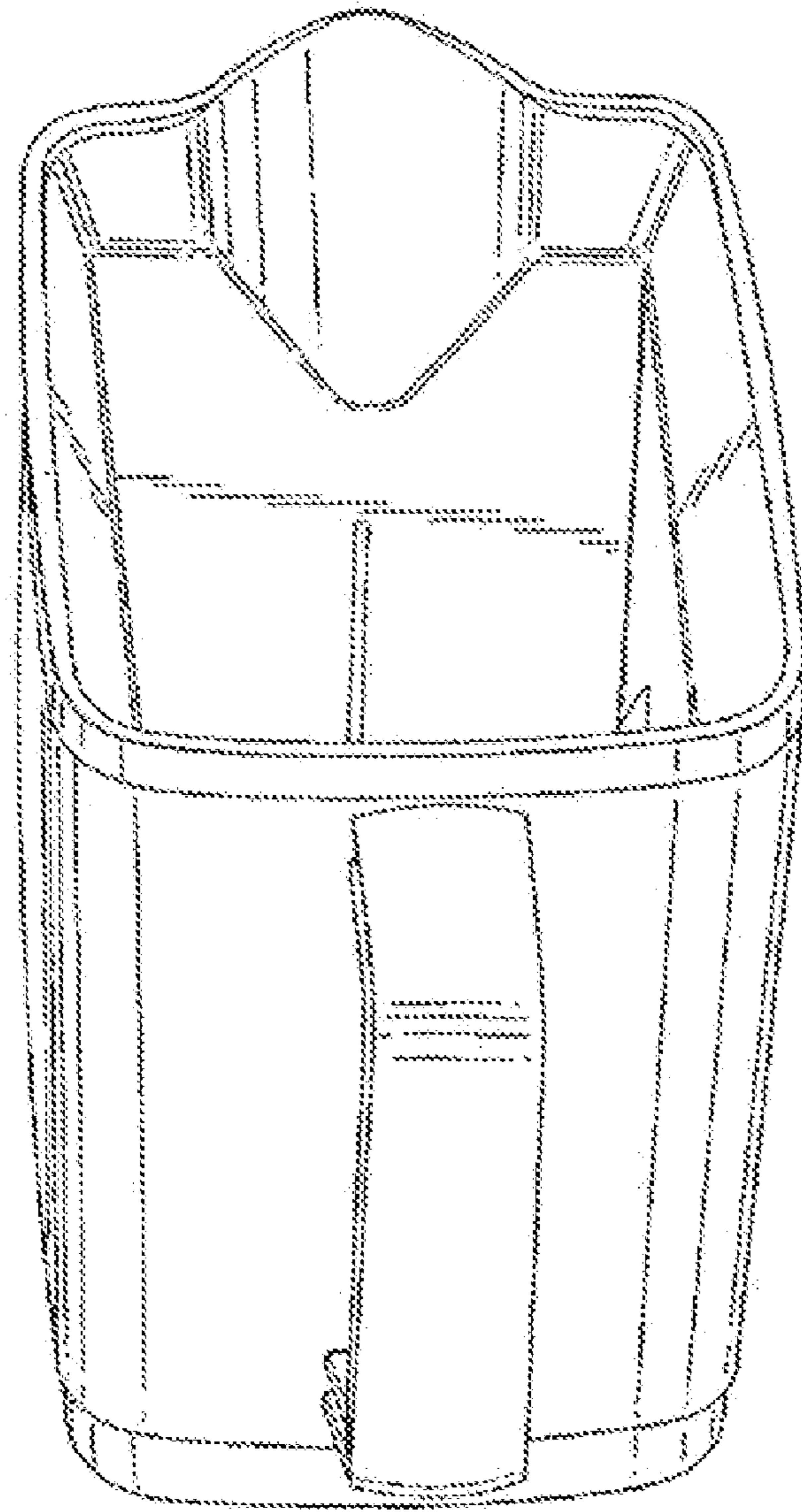
The ornamental design for a pitcher with a lid, as shown and described.

**DESCRIPTION**

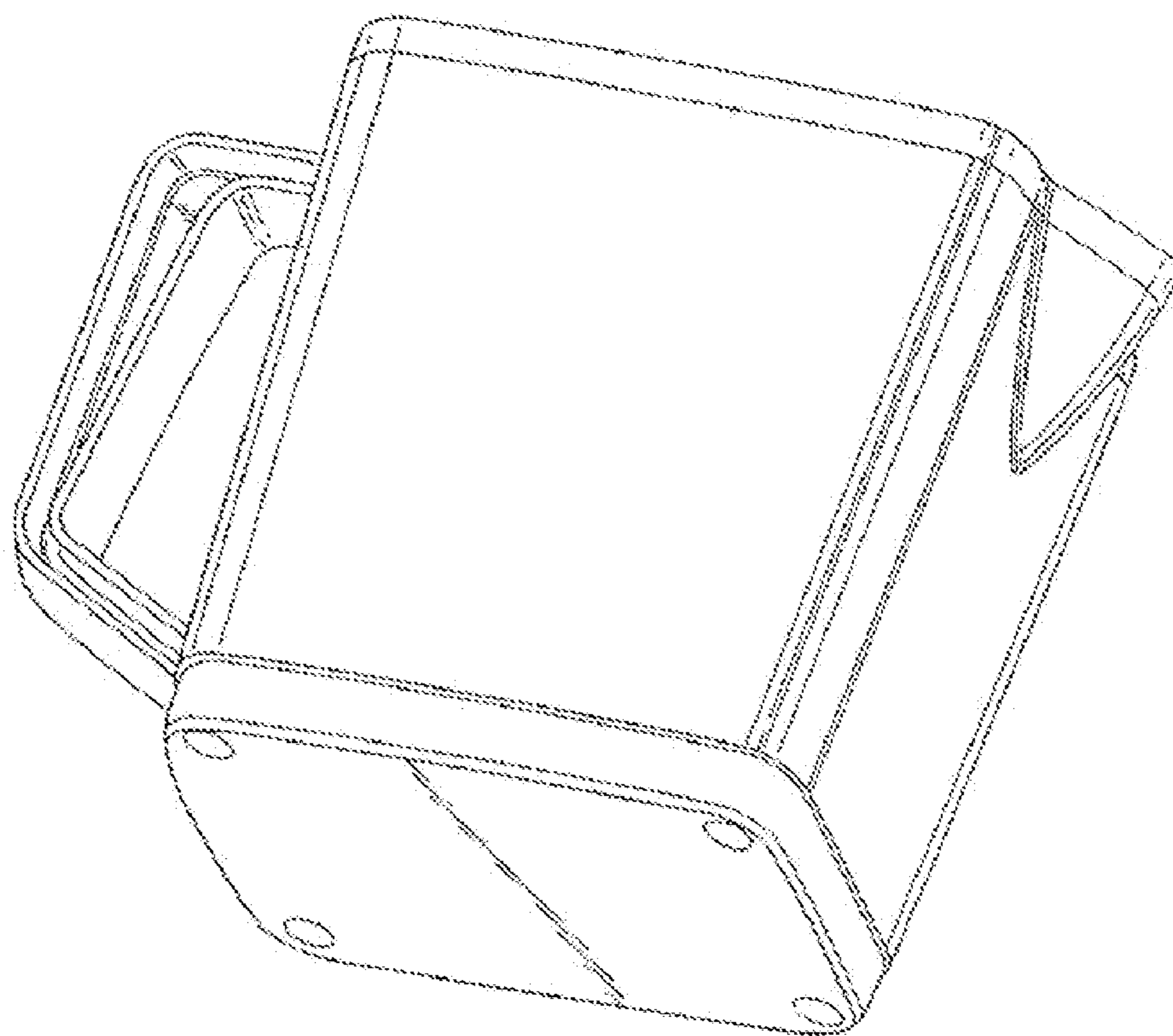
FIG. 1 is a top perspective view of a pitcher with a lid with the lid removed for ease of illustration showing my new design; FIG. 2 is a bottom perspective view thereof; FIG. 3 is a left side view thereof; FIG. 4 is a top plan view thereof; FIG. 5 is a right side view of the pitcher with lid where the lid is on the pitcher; FIG. 6 is a top perspective view of the pitcher with lid with the pitcher removed for ease of illustration; and, FIG. 7 is a bottom perspective view thereof.

**1 Claim, 6 Drawing Sheets**

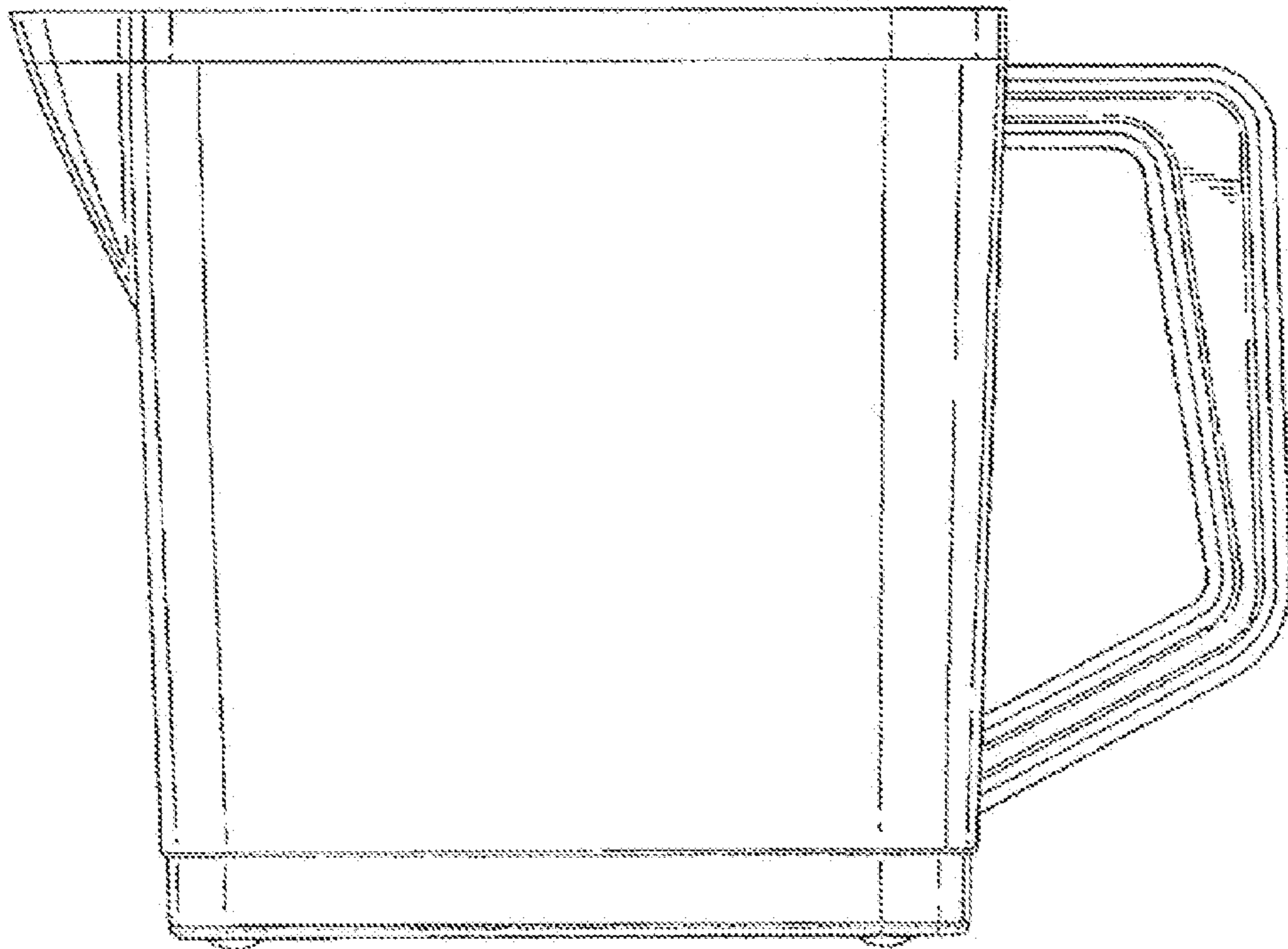




*FIG. 1*

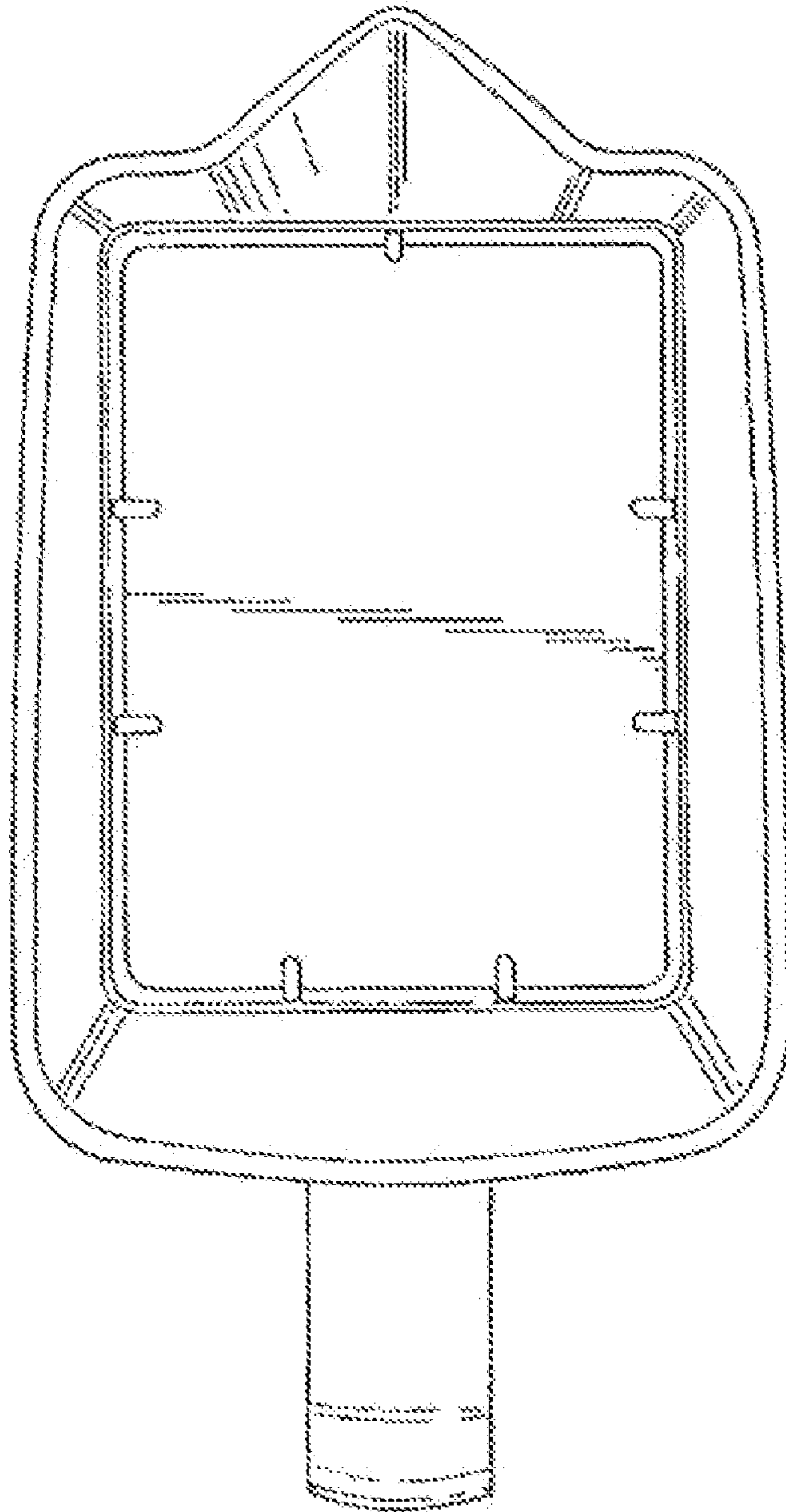


*FIG. 2*

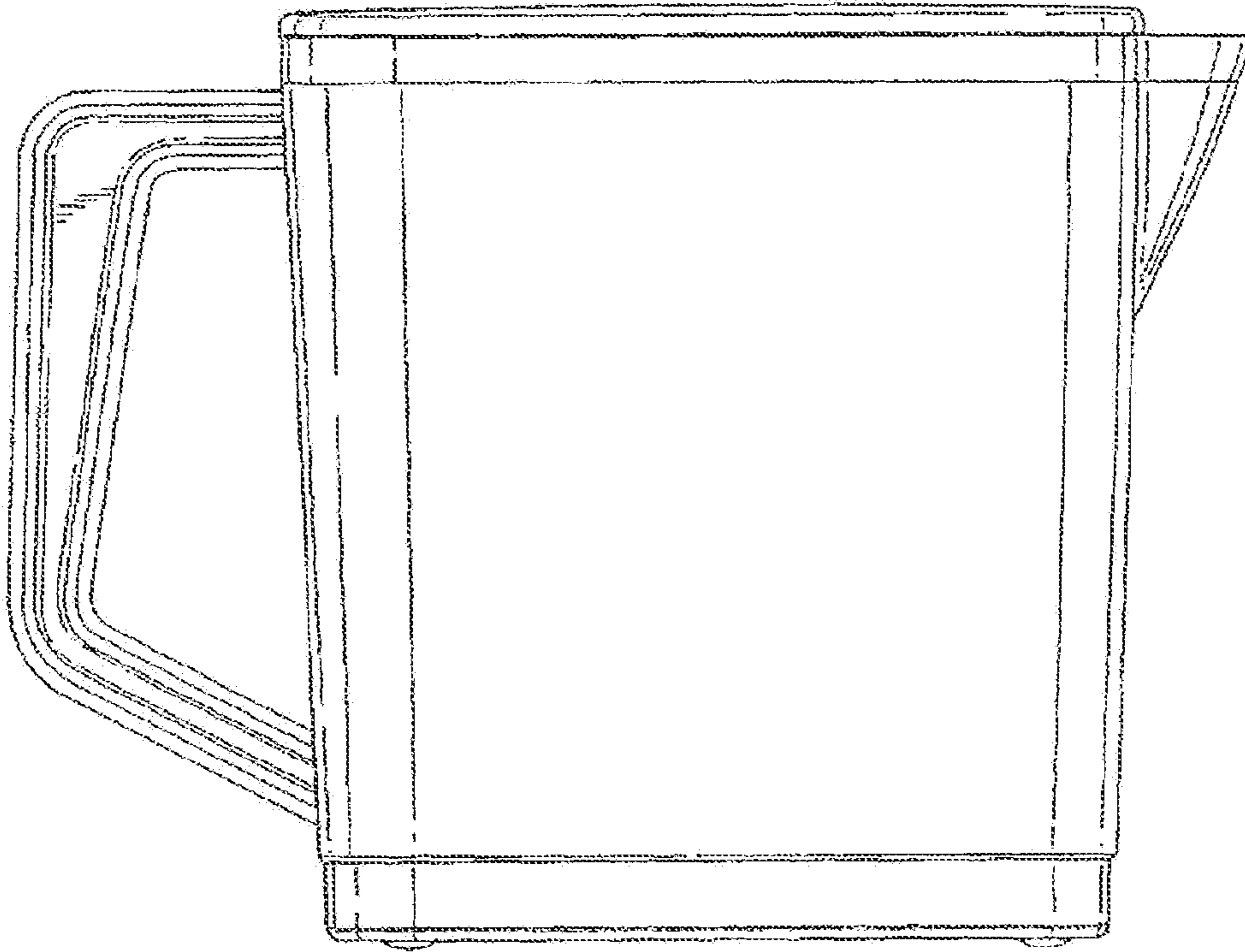


*FIG. 3*

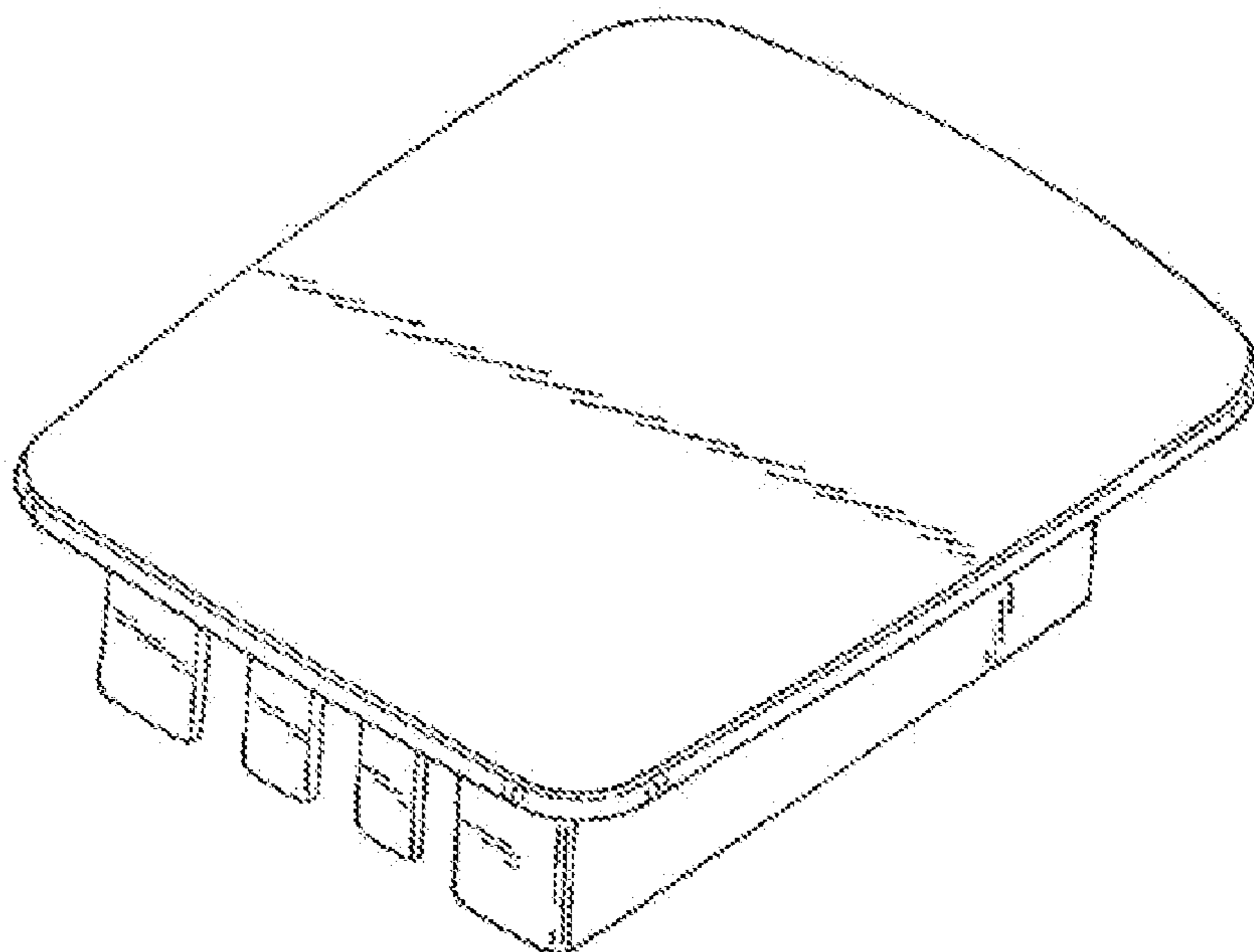




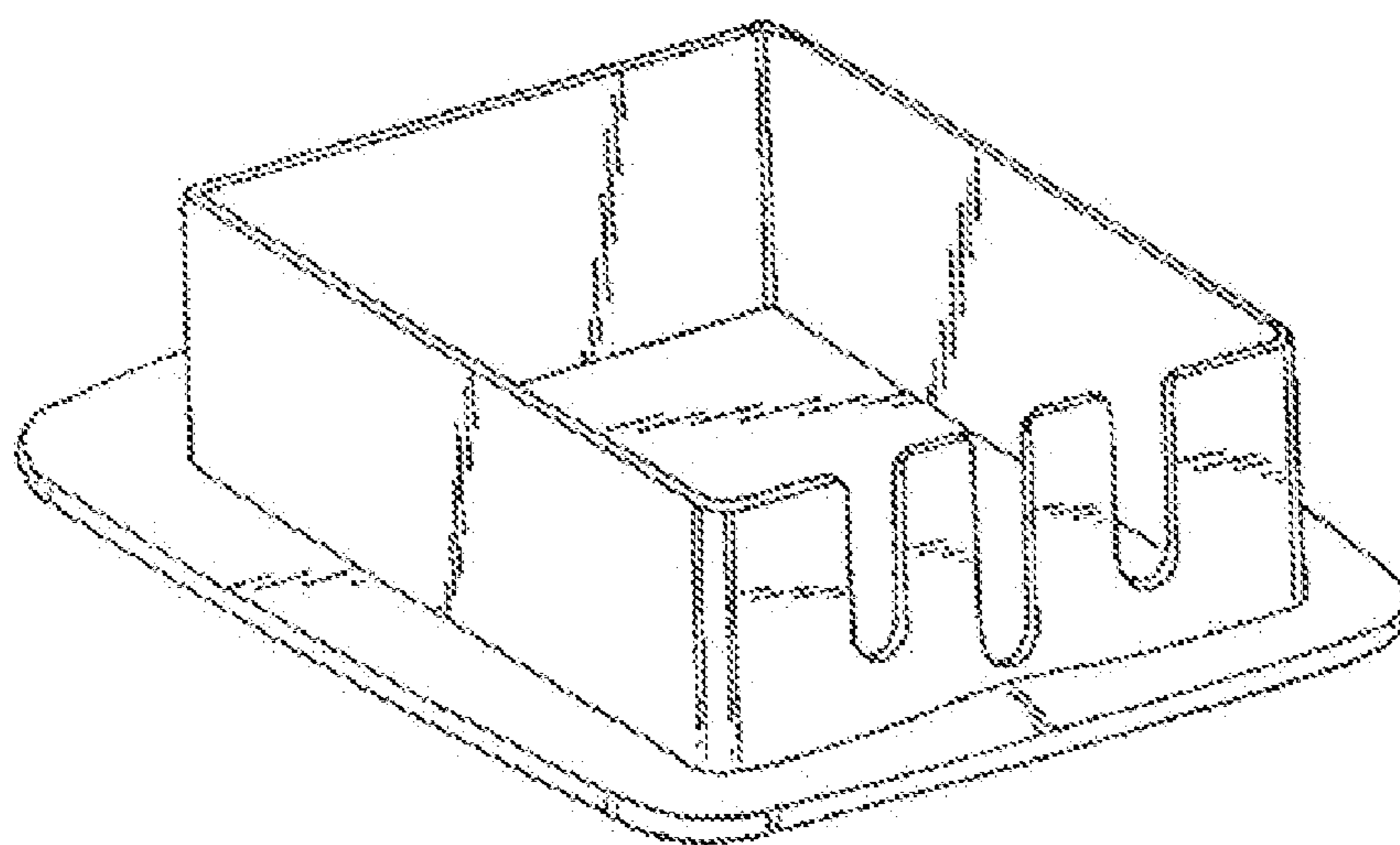
*FIG. 4*



*FIG. 5*



*FIG. 6*



*FIG. 7*