



US00D602730S

(12) **United States Design Patent**  
**Kino**

(10) **Patent No.:** **US D602,730 S**

(45) **Date of Patent:** **\*\* Oct. 27, 2009**

(54) **JUG**

(75) **Inventor:** **Yukio Kino**, Osaka (JP)

(73) **Assignee:** **Takeya USA, Inc.**, Huntington Beach, CA (US)

(\*\*) **Term:** **14 Years**

(21) **Appl. No.:** **29/332,138**

(22) **Filed:** **Feb. 10, 2009**

(51) **LOC (9) Cl.** ..... **07-01**

(52) **U.S. Cl.** ..... **D7/318; D7/317**

(58) **Field of Classification Search** ..... D7/376,  
D7/312, 316-319, 322, 600, 598, 608; 222/465.1;  
99/297, 287, 285, 323.3

See application file for complete search history.

(56) **References Cited**

**U.S. PATENT DOCUMENTS**

D157,795 S *	3/1950	Schwarz	.....	D7/317
D216,370 S *	12/1969	Tsoo-Hing et al.	.....	D7/317
D301,296 S *	5/1989	Hsu	.....	D7/317
D302,370 S *	7/1989	Gibert	.....	D7/317
D306,547 S *	3/1990	Wolfenden	.....	D7/317
D308,460 S *	6/1990	Balzano	.....	D7/317
D313,726 S *	1/1991	Scherer	.....	D7/317

D316,206 S *	4/1991	Daenen et al.	.....	D7/317
D319,368 S *	8/1991	Picozza et al.	.....	D7/317
D321,301 S *	11/1991	Purkapile	.....	D7/376
D446,681 S *	8/2001	Weibel	.....	D7/376
D473,092 S *	4/2003	Heiberg et al.	.....	D7/319
D560,951 S *	2/2008	Appleton	.....	D7/317
D587,513 S *	3/2009	Bodum	.....	D7/319
D587,957 S *	3/2009	Imai	.....	D7/317

\* cited by examiner

*Primary Examiner*—Marianne Pandozzi

(74) *Attorney, Agent, or Firm*—Klein, O’Neill & Singh, LLP

(57) **CLAIM**

The ornamental design for a jug, as shown and described.

**DESCRIPTION**

FIG. 1 is perspective view of an embodiment of a jug of the present invention;

FIG. 2 is a front elevation view of FIG. 1;

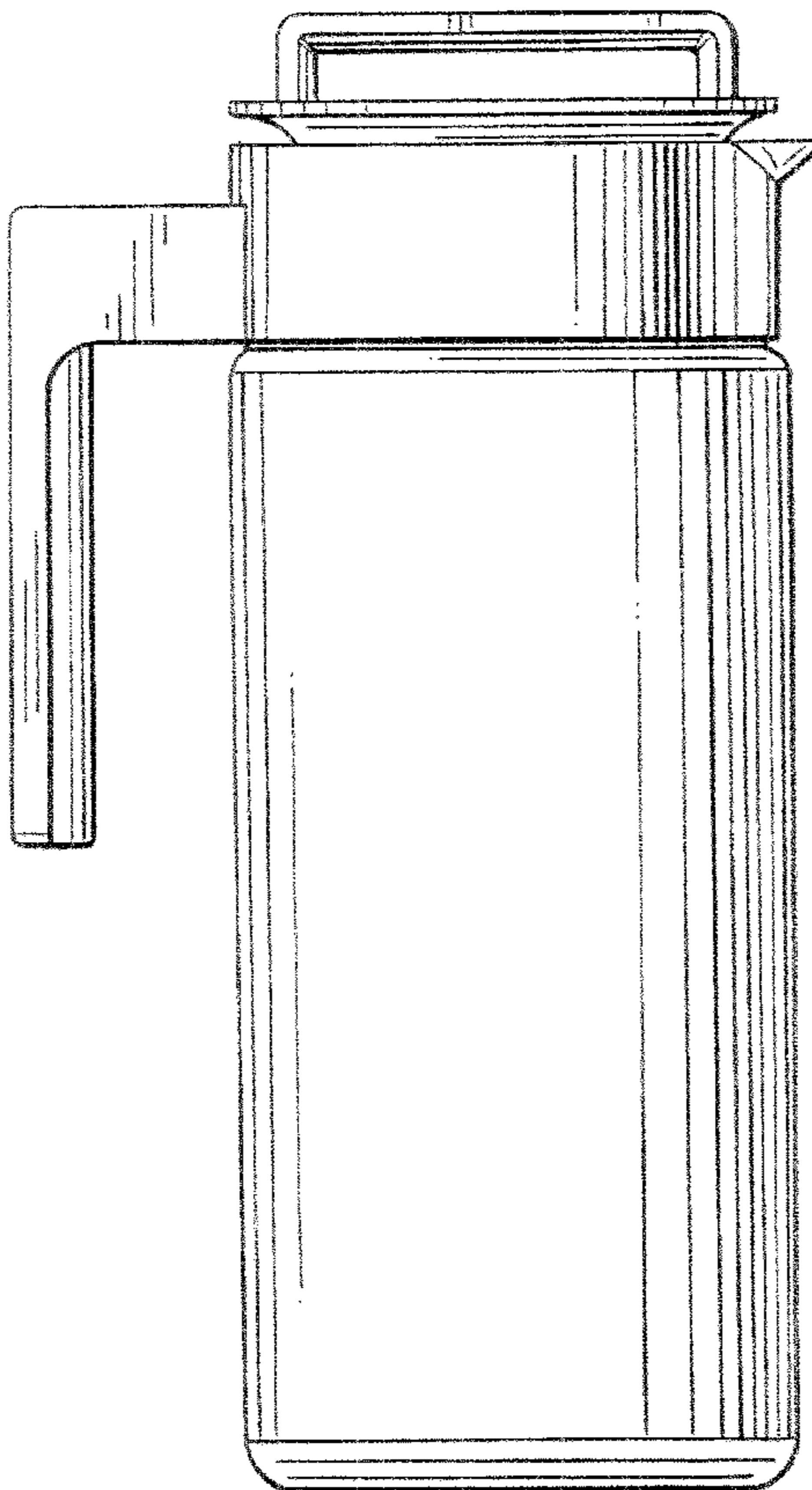
FIG. 3 is a rear elevation view of FIG. 1;

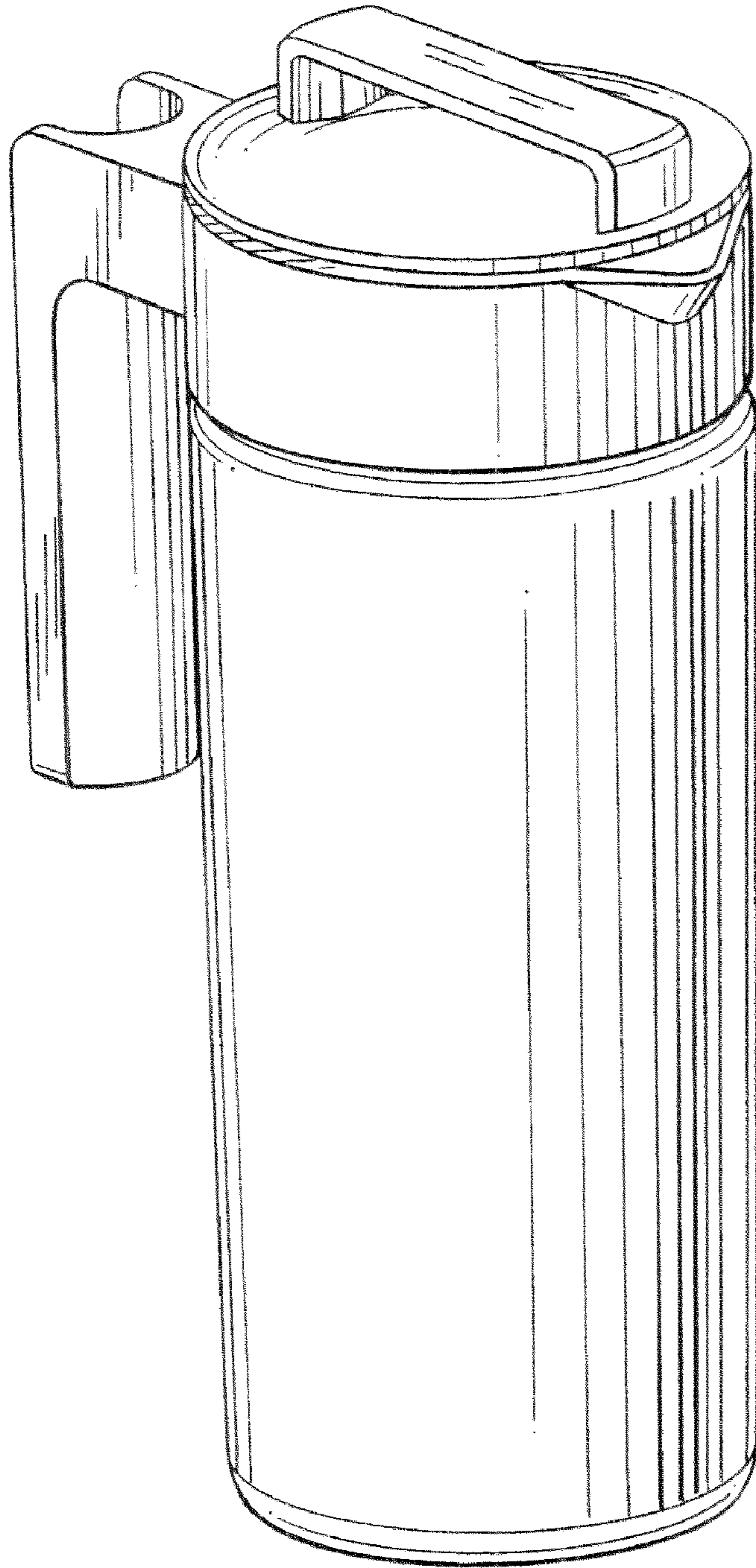
FIG. 4 is a top plan view of FIG. 1;

FIG. 5 is a bottom plan view of FIG. 1; and,

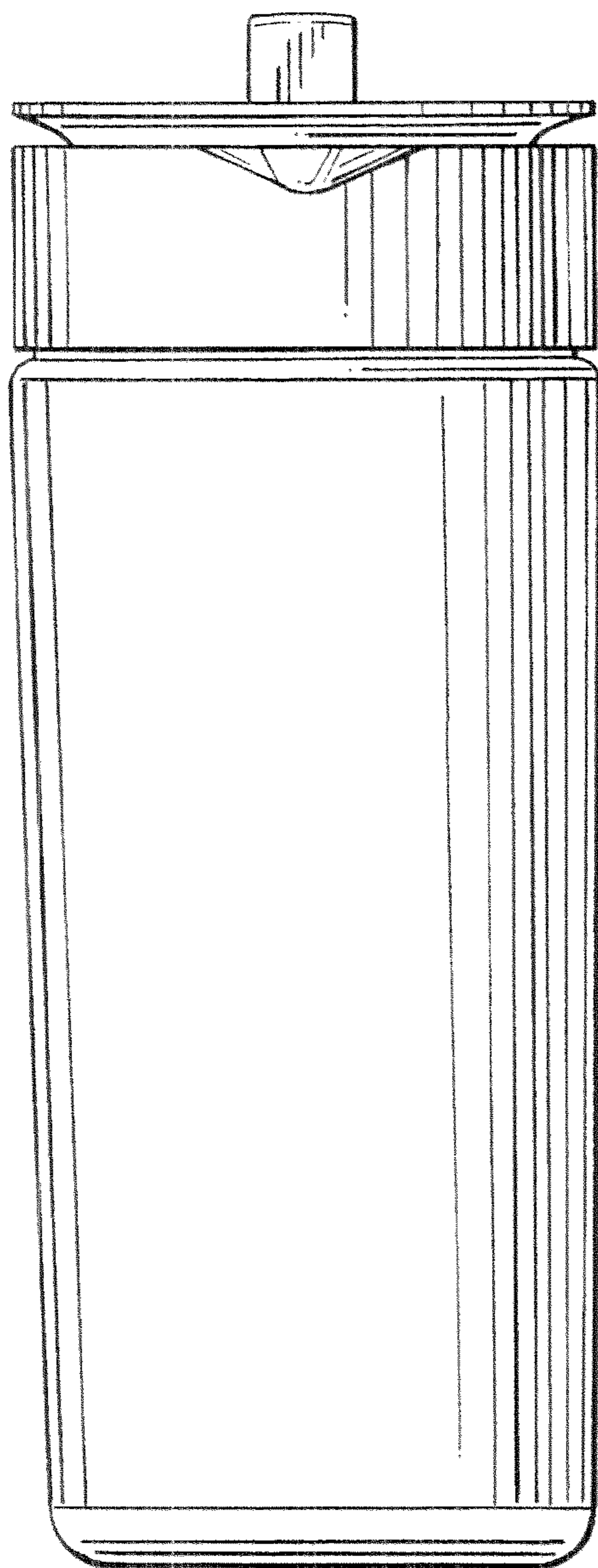
FIG. 6 is a side view of FIG. 1.

**1 Claim, 4 Drawing Sheets**

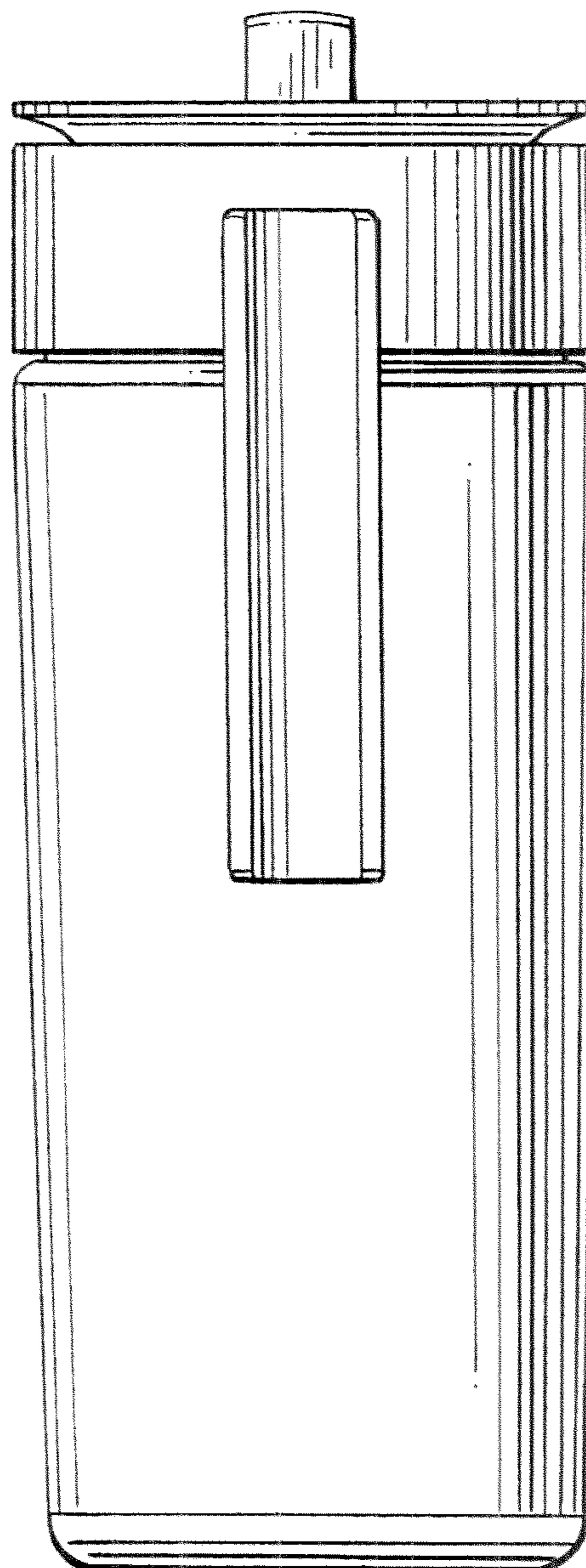




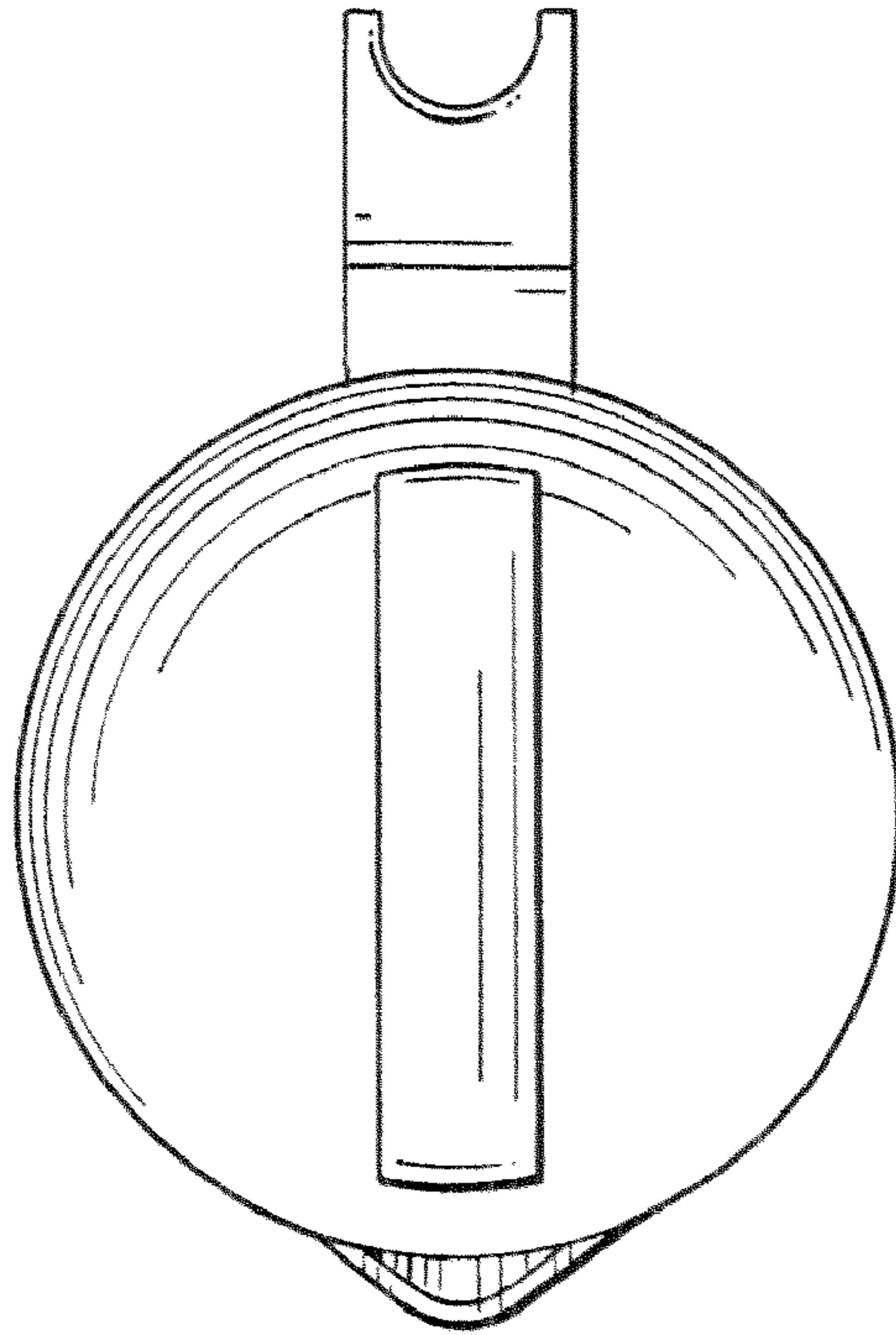
**FIG. 1**



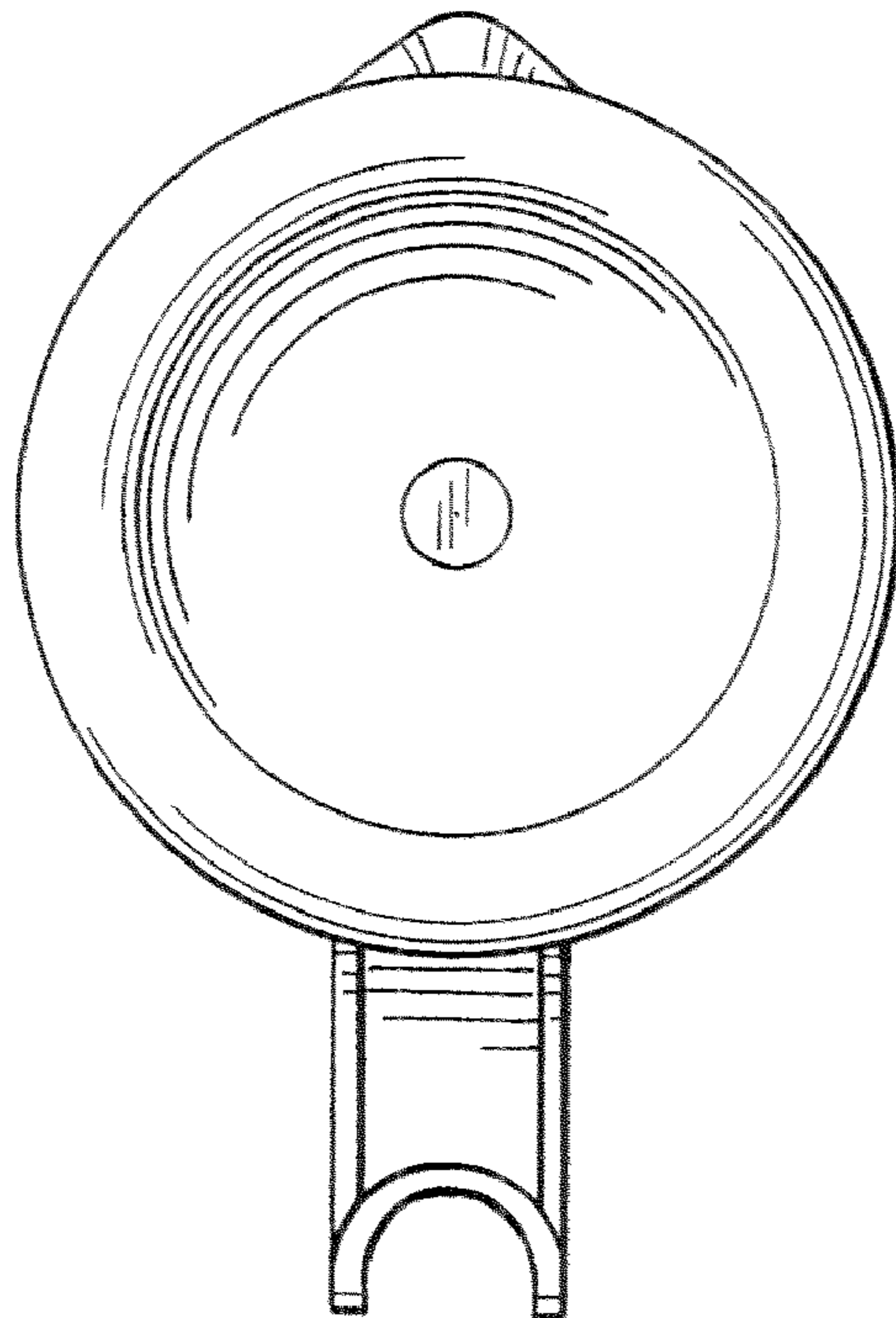
**FIG. 2**



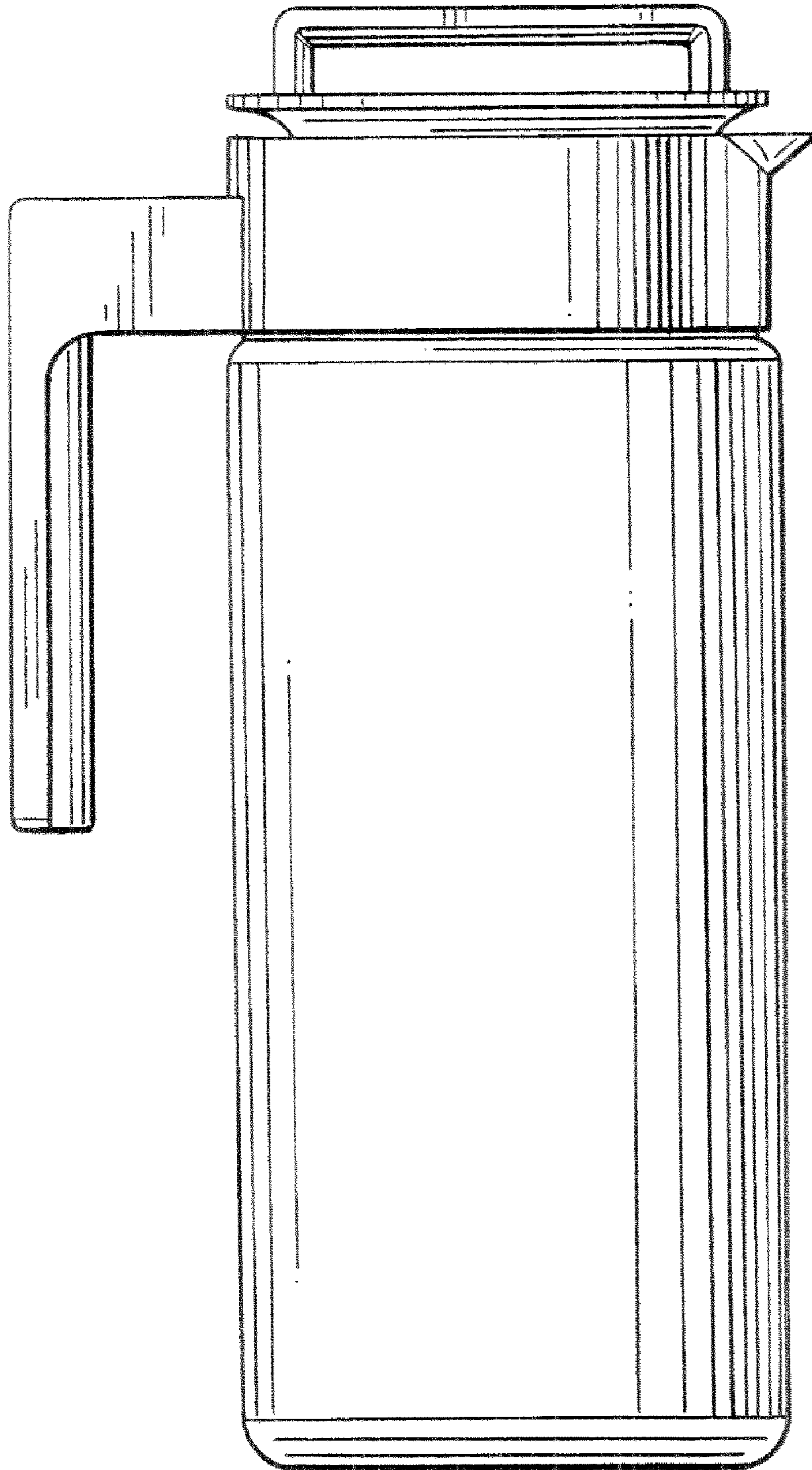
**FIG. 3**



**FIG. 4**



**FIG. 5**



**FIG. 6**