



US00D602725S

(12) **United States Design Patent**
Lubart

(10) **Patent No.:** **US D602,725 S**
(45) **Date of Patent:** **** Oct. 27, 2009**

(54) **FLOOR MAT TREAD**

D572,068 S * 7/2008 Lin D6/582
D591,096 S * 4/2009 Lubart D6/582

(75) Inventor: **Randy N. Lubart**, Palm Beach Gardens,
FL (US)

* cited by examiner

(73) Assignee: **Shoes For Crews, LLC**, West Palm
Beach, FL (US)

Primary Examiner—Robert M Spear
Assistant Examiner—Barbara B Lohr
(74) *Attorney, Agent, or Firm*—McHale & Slavin, P.A.

(**) Term: **14 Years**

(57) **CLAIM**

(21) Appl. No.: **29/334,276**

The ornamental design for a floor mat tread, as shown and described.

(22) Filed: **Mar. 24, 2009**

(51) **LOC (9) Cl.** **06-11**

DESCRIPTION

(52) **U.S. Cl.** **D6/582**

FIG. 1 is a top perspective view of the floor mat tread of the instant invention;

(58) **Field of Classification Search** D6/582-594;
D25/158, 160; 4/251.1, 251.2, 254, 583;
15/215, 216, 217; 428/54, 88, 141; 442/32;
482/23; D5/41, 37; D12/221

FIG. 2 is a top view thereof;

FIG. 3 is a bottom view thereof;

See application file for complete search history.

FIG. 4 is a front elevational view thereof;

FIG. 5 is a section view thereof taken along lines 5—5 of FIG. 2; and,

(56) **References Cited**

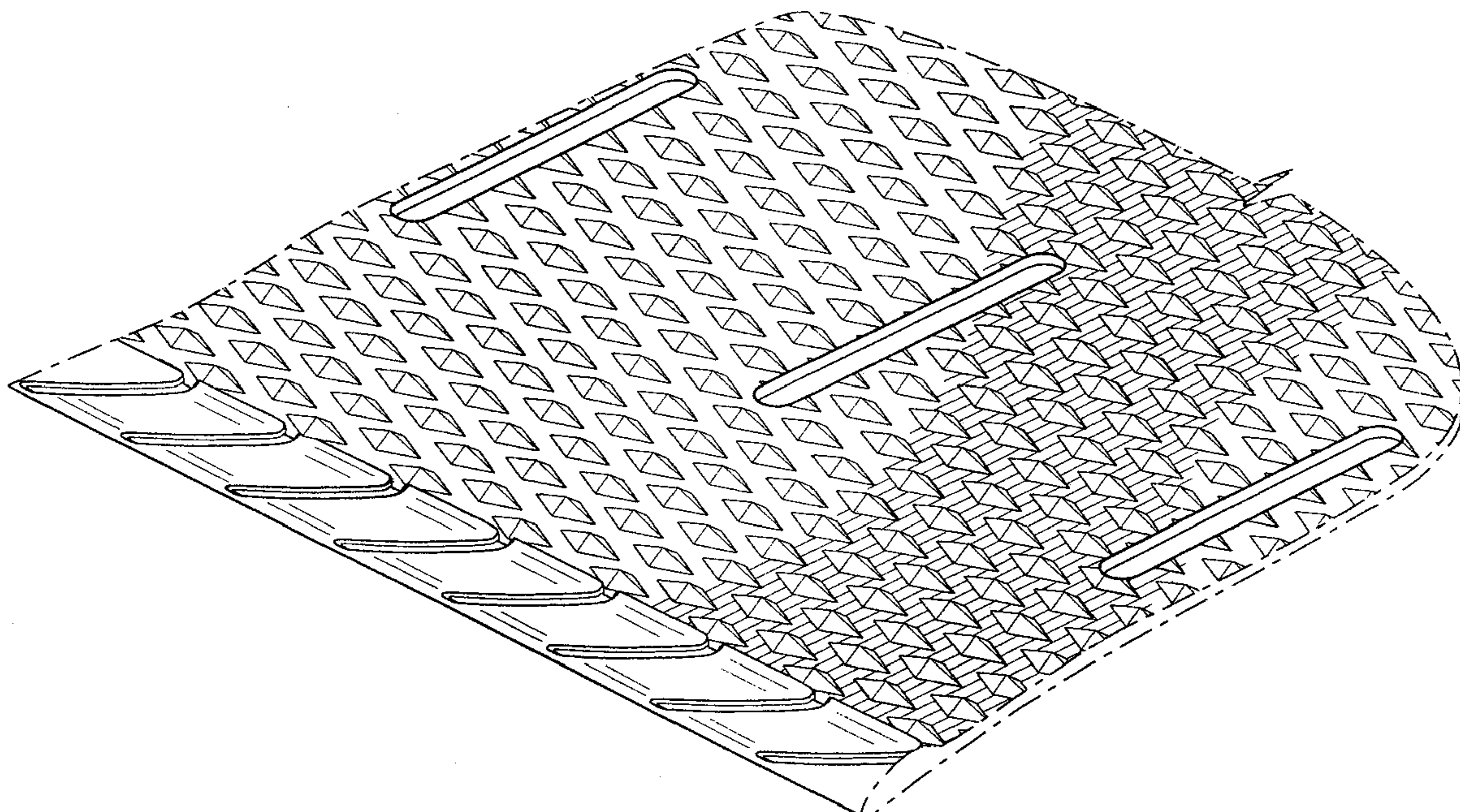
U.S. PATENT DOCUMENTS

FIG. 6 is a top perspective view thereof, showing the floor mat tread in its environment.

The dash-dot-dot-dash lines showing the boundary of the claimed floor mat tread form no part of the claimed design; the evenly-spaced broken lines drawing depict environmental structure that forms no part of the claim.

- D274,588 S * 7/1984 Swanson et al. D6/582
- 4,952,434 A * 8/1990 Rumsey et al. 428/54
- D333,645 S * 3/1993 Tyler D12/221
- D355,807 S * 2/1995 O'Rourke D6/582
- D356,709 S * 3/1995 Scott D6/585
- 5,667,873 A * 9/1997 Beckenbach 428/141
- D416,158 S * 11/1999 Denney D6/582
- D543,765 S * 6/2007 Allen D6/582

1 Claim, 5 Drawing Sheets



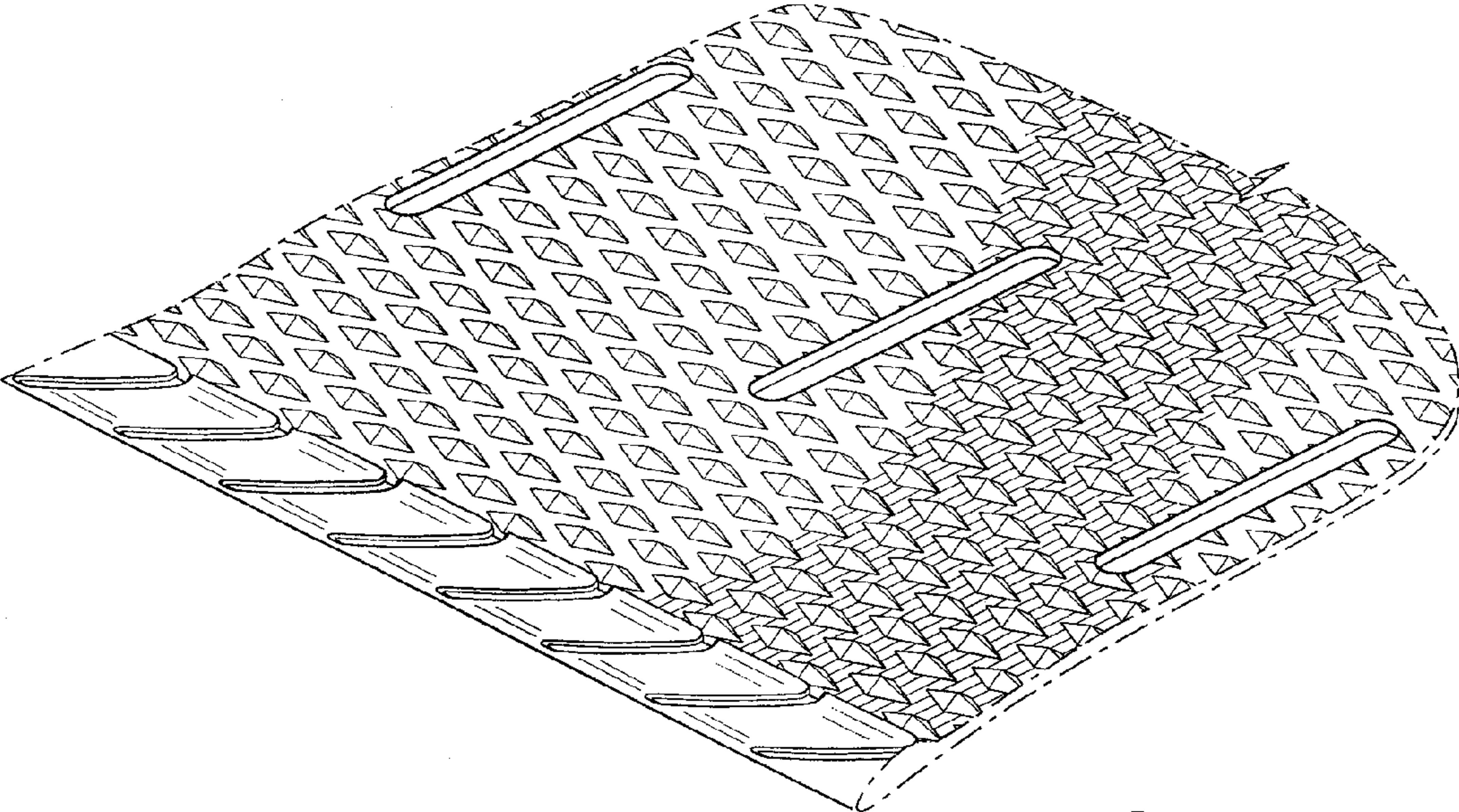


FIG. 1

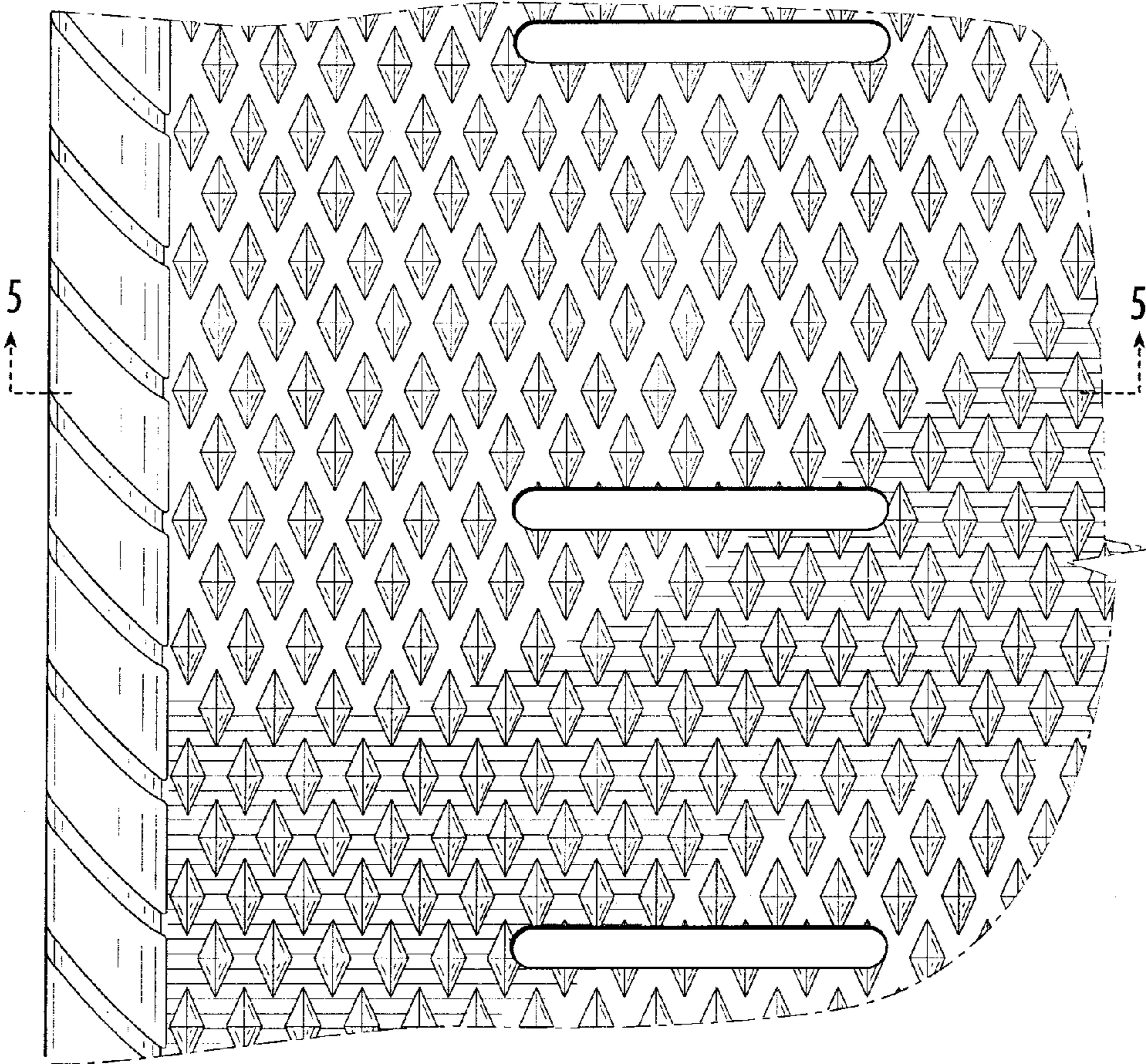


FIG. 2

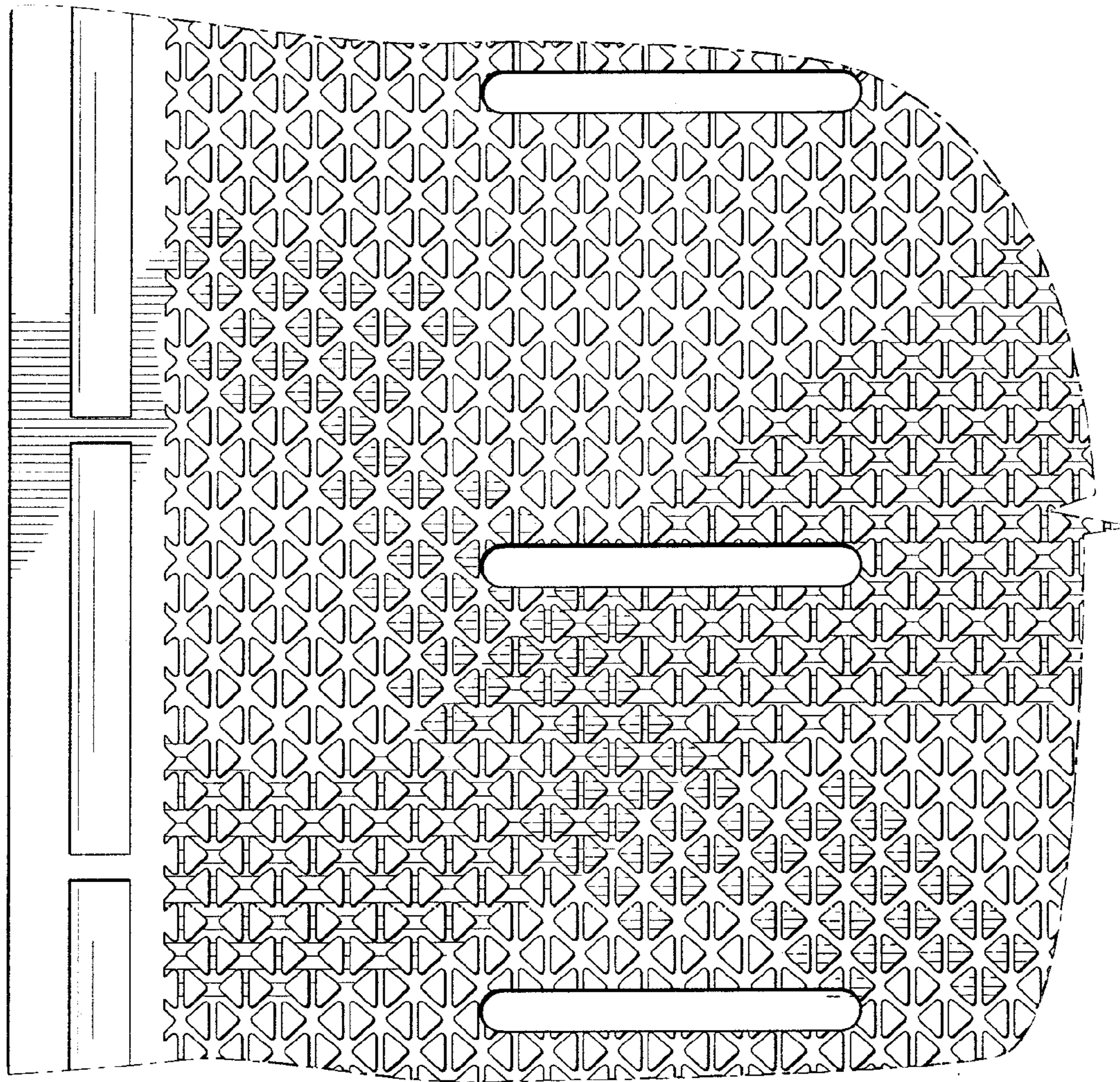


FIG. 3

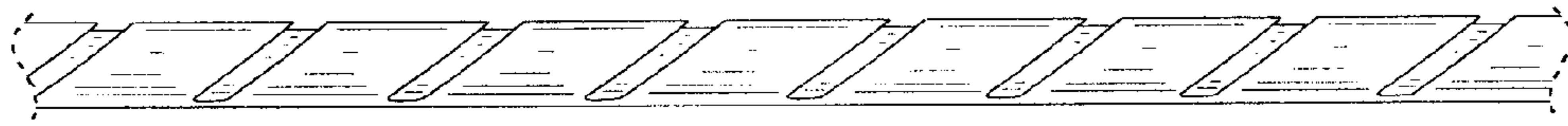


FIG. 4



FIG. 5

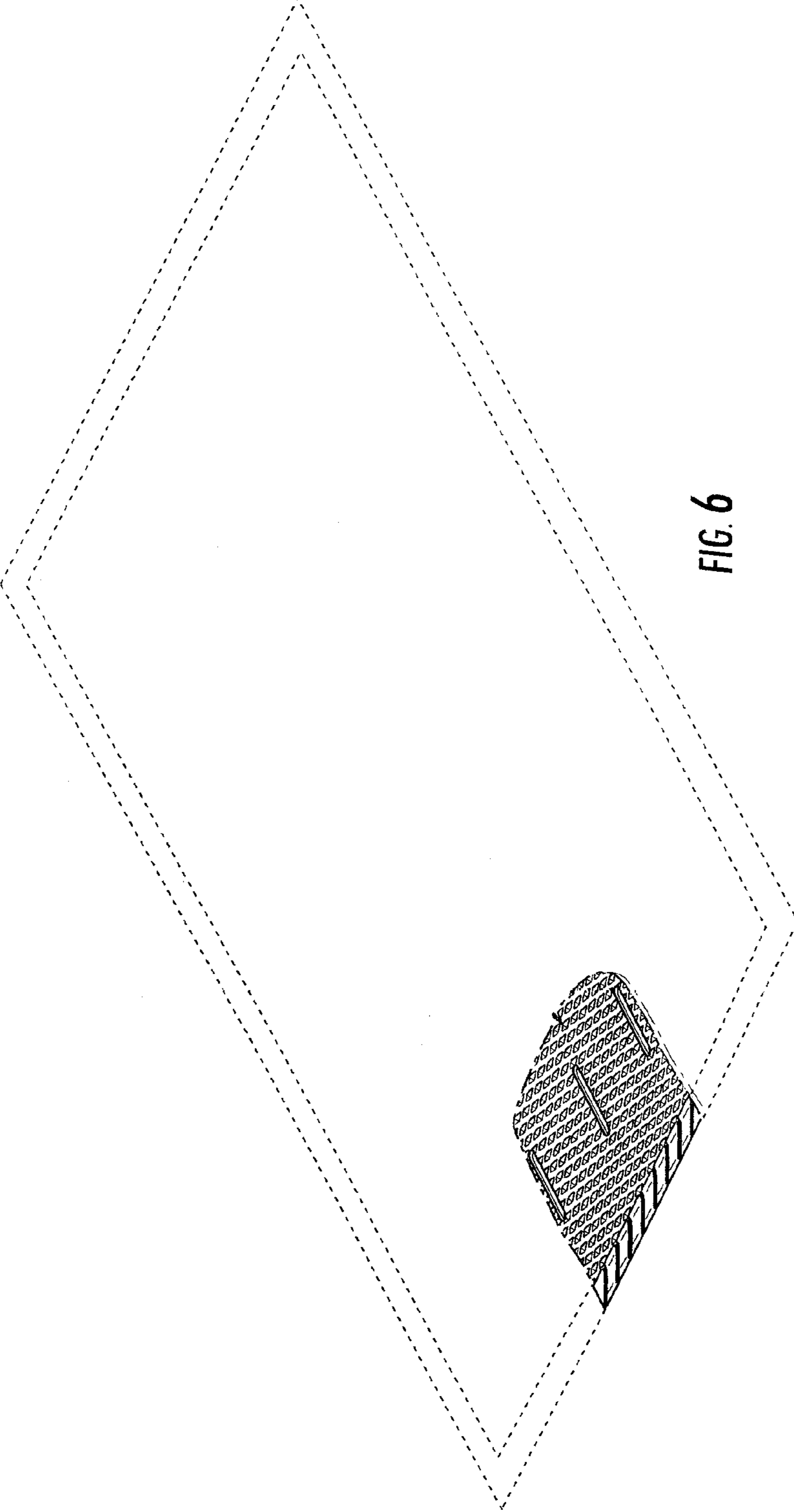


FIG. 6