



US00D602724S

(12) **United States Design Patent**  
**Liu**

(10) **Patent No.:** **US D602,724 S**

(45) **Date of Patent:** **\*\* Oct. 27, 2009**

(54) **TOOL COLLECTION SHELF**

(76) **Inventor:** **Shen-Wei Liu**, 8F.-10, No. 77,  
Shihjheng N. 1st Rd., Situn District,  
Taichung City (TW)

(\*\*) **Term:** **14 Years**

(21) **Appl. No.:** **29/323,805**

(22) **Filed:** **Aug. 30, 2008**

(51) **LOC (9) Cl.** ..... **06-04**

(52) **U.S. Cl.** ..... **D6/567**

(58) **Field of Classification Search** ..... D6/553,  
D6/567, 574, 512, 524; 211/13.1, 60.1, 60.9,  
211/69.1, 69.5, 70.1, 70.6, 71.01; 248/309.1,  
248/309.2, 310, 314

See application file for complete search history.

(56) **References Cited**

**U.S. PATENT DOCUMENTS**

D188,221	S	*	6/1960	Maro	.....	D6/574
4,880,122	A	*	11/1989	Martindell	.....	211/70.6
D323,245	S	*	1/1992	Hobson	.....	D6/553
D334,861	S	*	4/1993	Cheng	.....	D6/553
D340,610	S	*	10/1993	Hubbard	.....	D6/567
D416,738	S	*	11/1999	Bergman	.....	D6/567
D442,814	S	*	5/2001	Sterling et al.	.....	D6/553
D575,972	S	*	9/2008	Shiao	.....	D6/567

\* cited by examiner

*Primary Examiner*—Brian N Vinson

(74) *Attorney, Agent, or Firm*—Senniger Powers

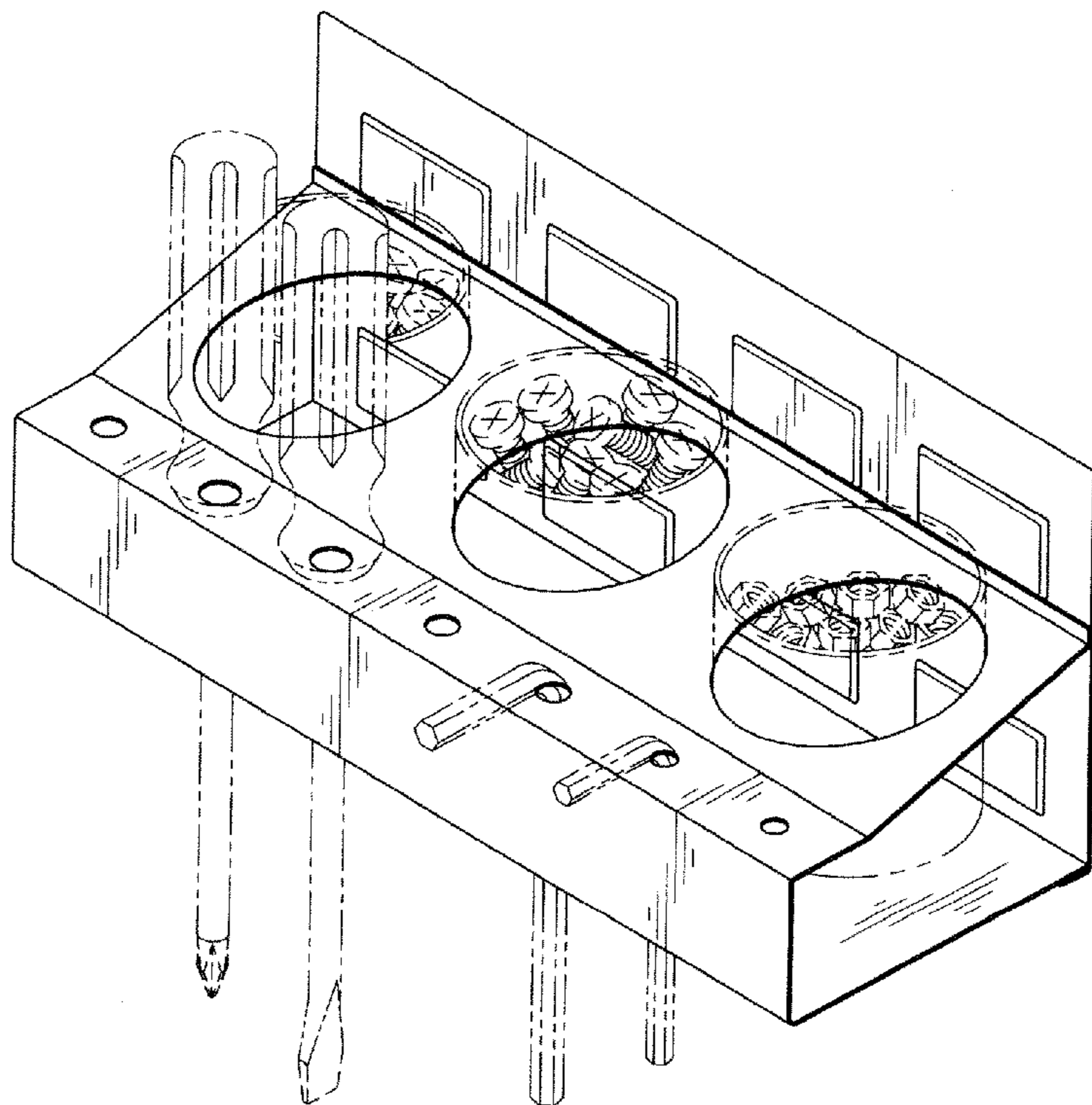
(57) **CLAIM**

The ornamental design for a tool collection shelf, as shown and described.

**DESCRIPTION**

FIG. 1 is a top, front, and right side perspective view of a tool collection shelf showing my new design;  
 FIG. 2 is a top, rear, and right side perspective view thereof;  
 FIG. 3 is an enlarged front elevational view thereof;  
 FIG. 4 is an enlarged rear elevational view thereof;  
 FIG. 5 is an enlarged left side elevational view thereof;  
 FIG. 6 is an enlarged right side elevational view thereof;  
 FIG. 7 is an enlarged top plan view thereof;  
 FIG. 8 is an enlarged bottom plan view thereof; and,  
 FIG. 9 is an additional top, front, and right side perspective view thereof, with the broken-line disclosure of various tools being for illustrative purposes only and forming no part of the claimed design.

**1 Claim, 9 Drawing Sheets**



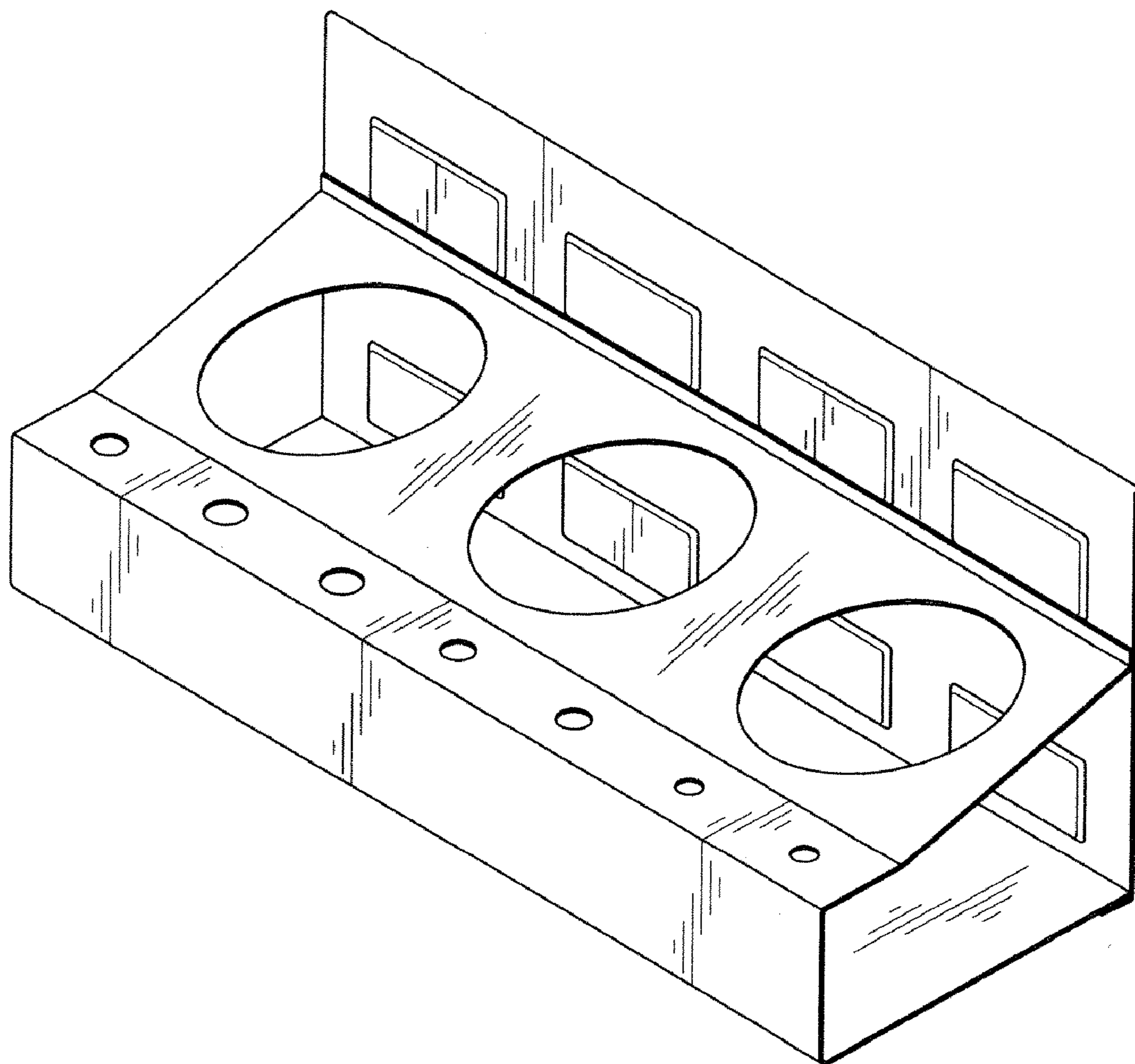


FIG. 1

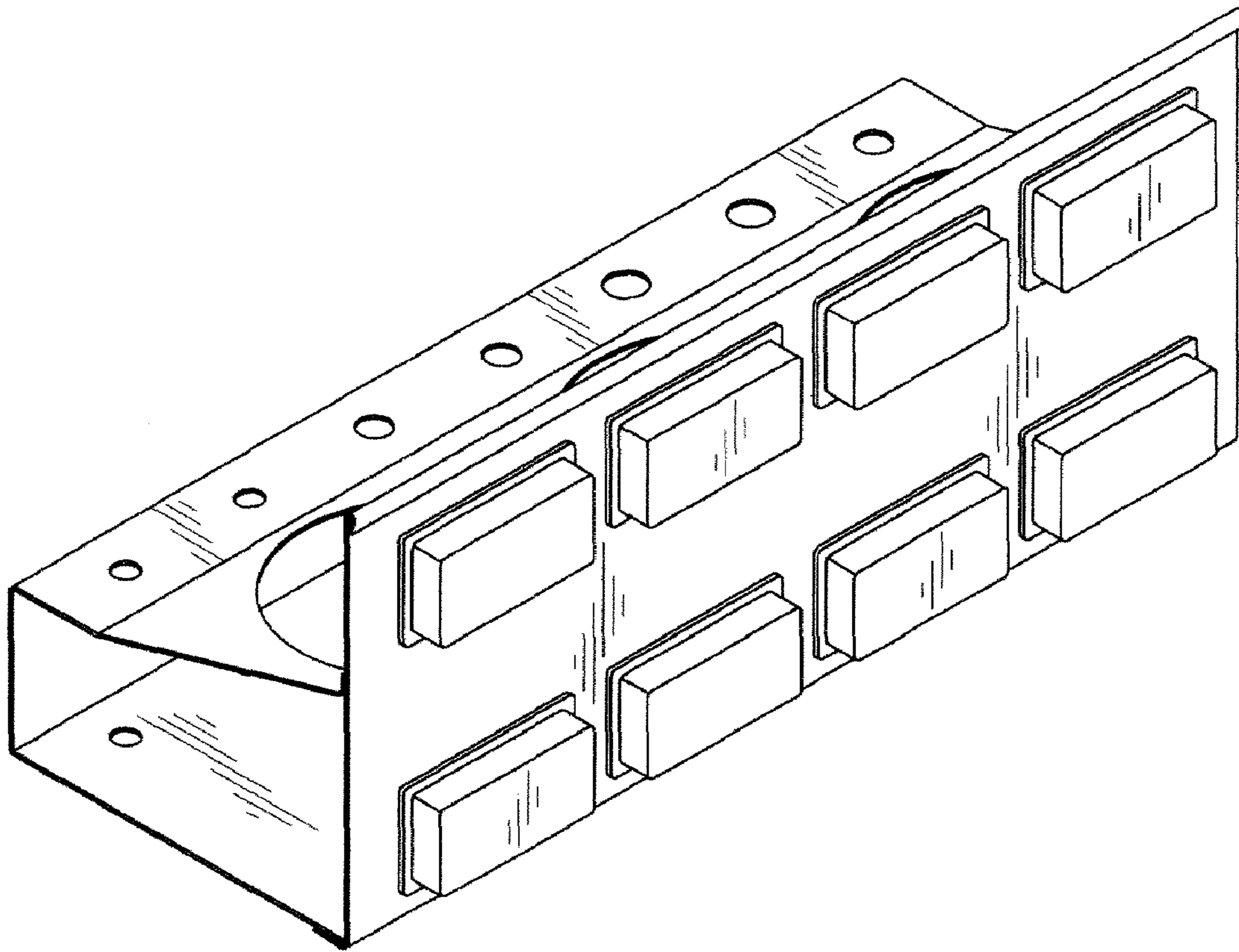


FIG. 2

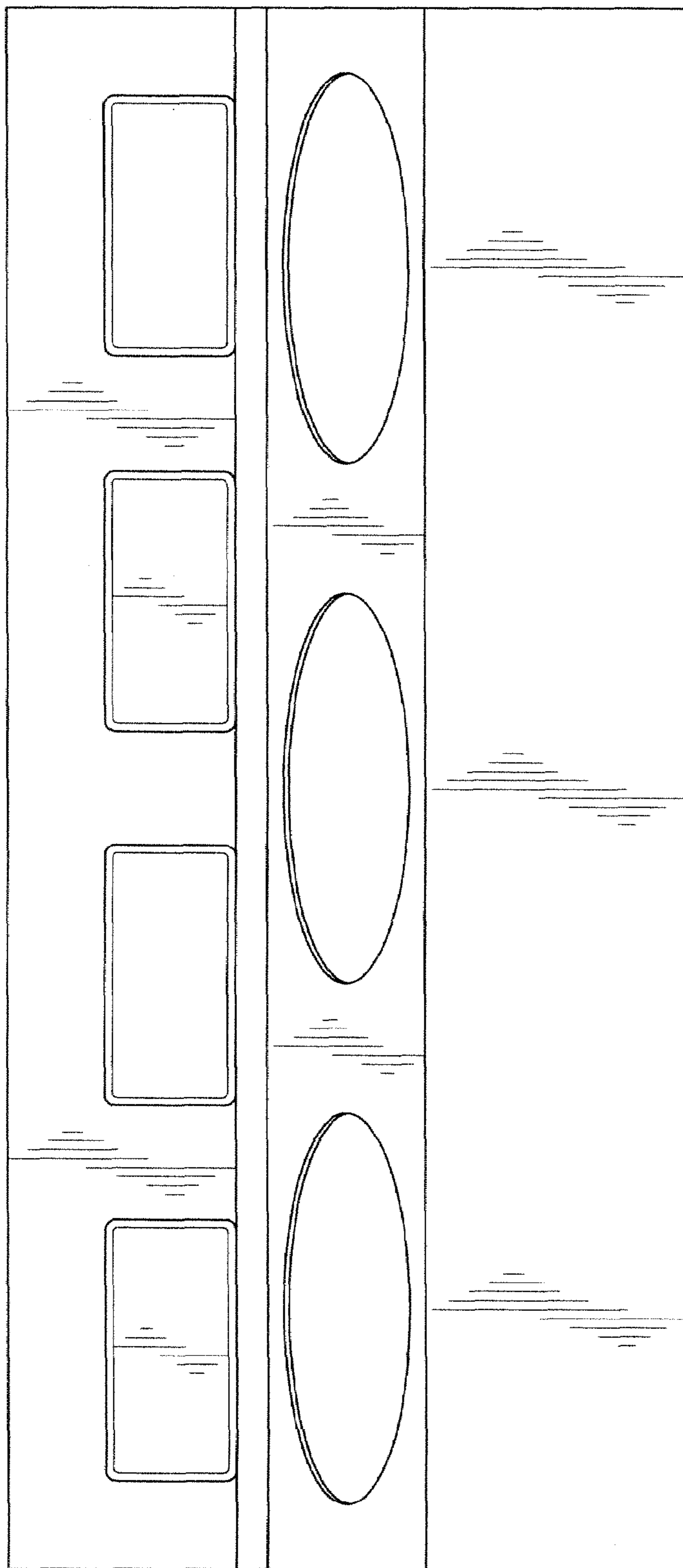


FIG. 3

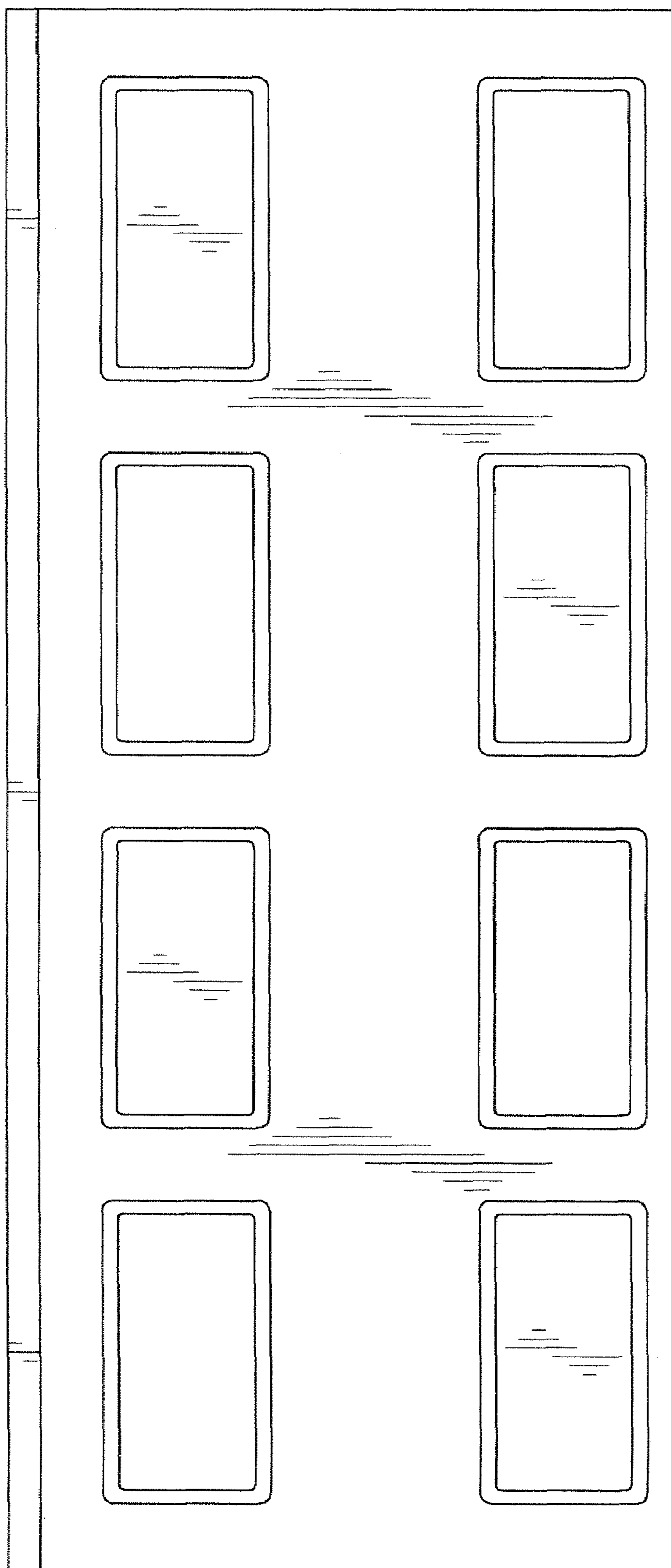
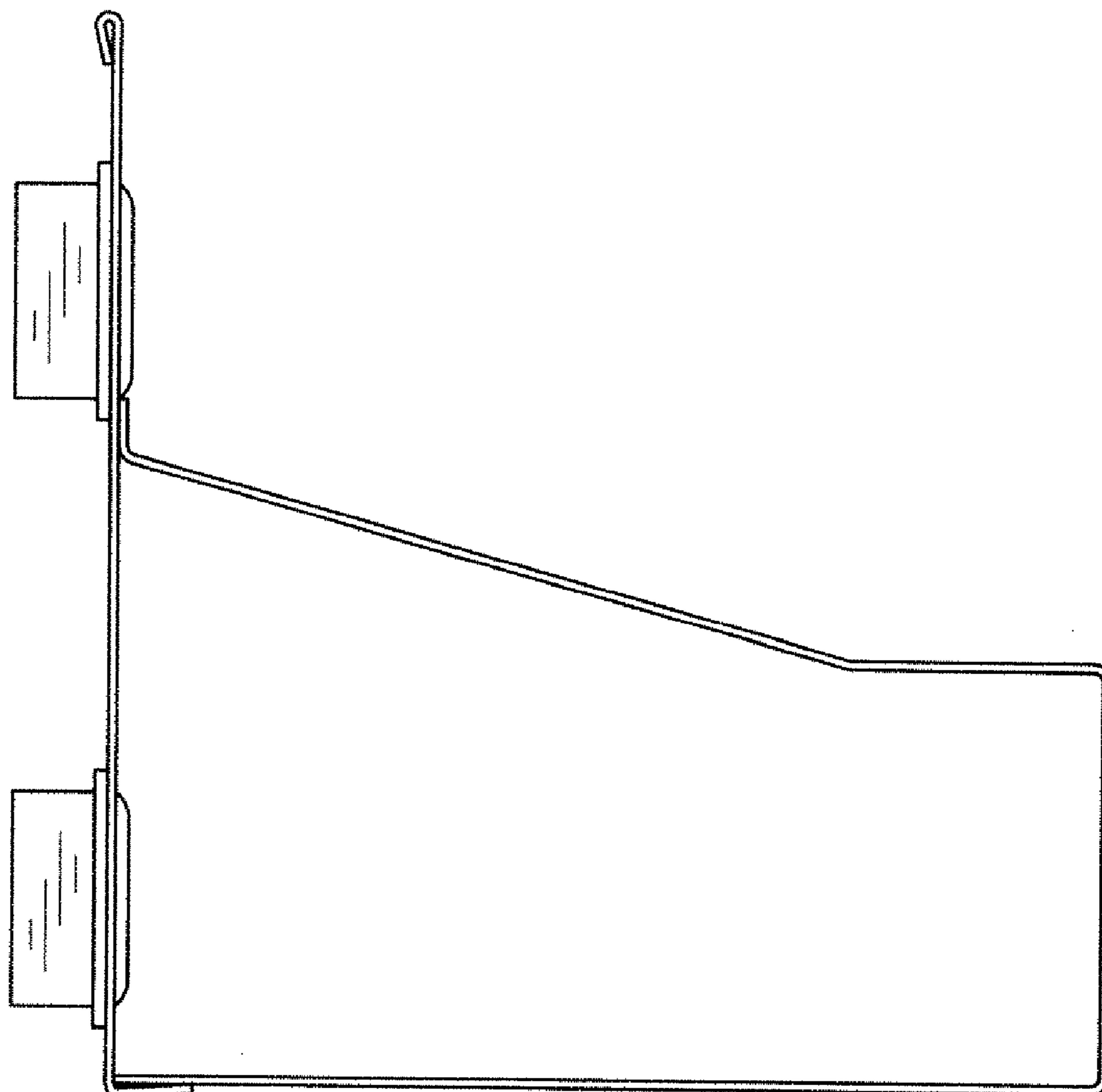
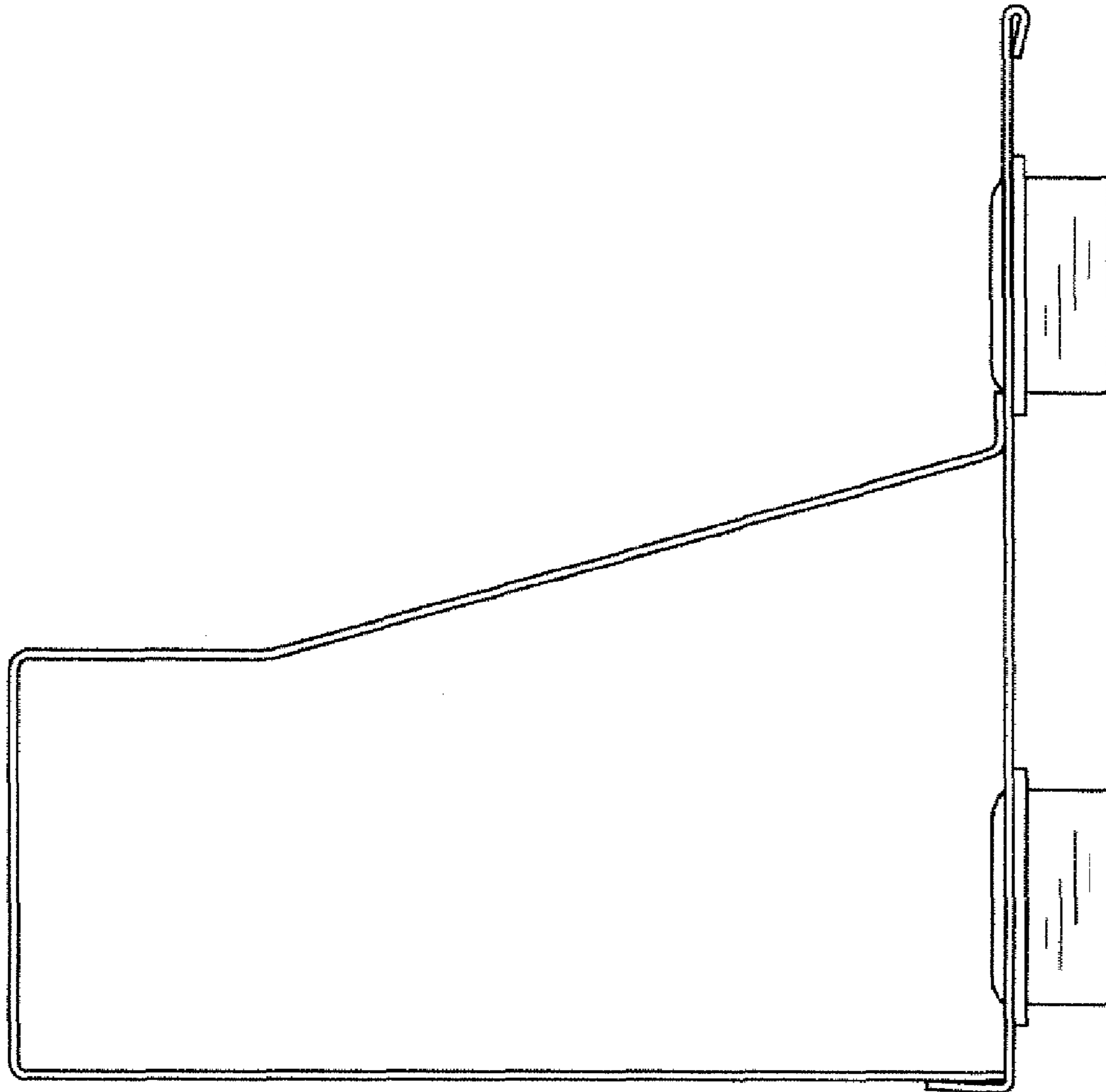


FIG. 4



**FIG. 5**



**FIG. 6**

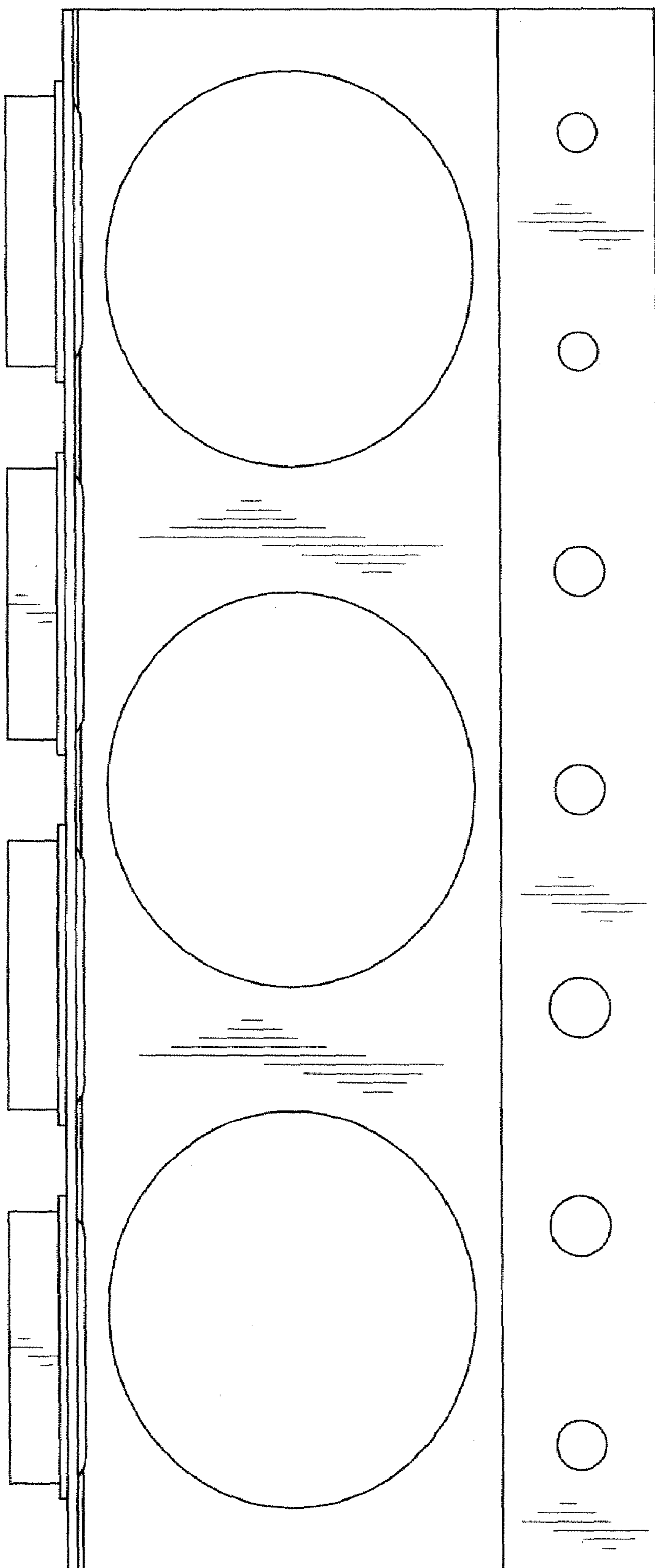


FIG. 7



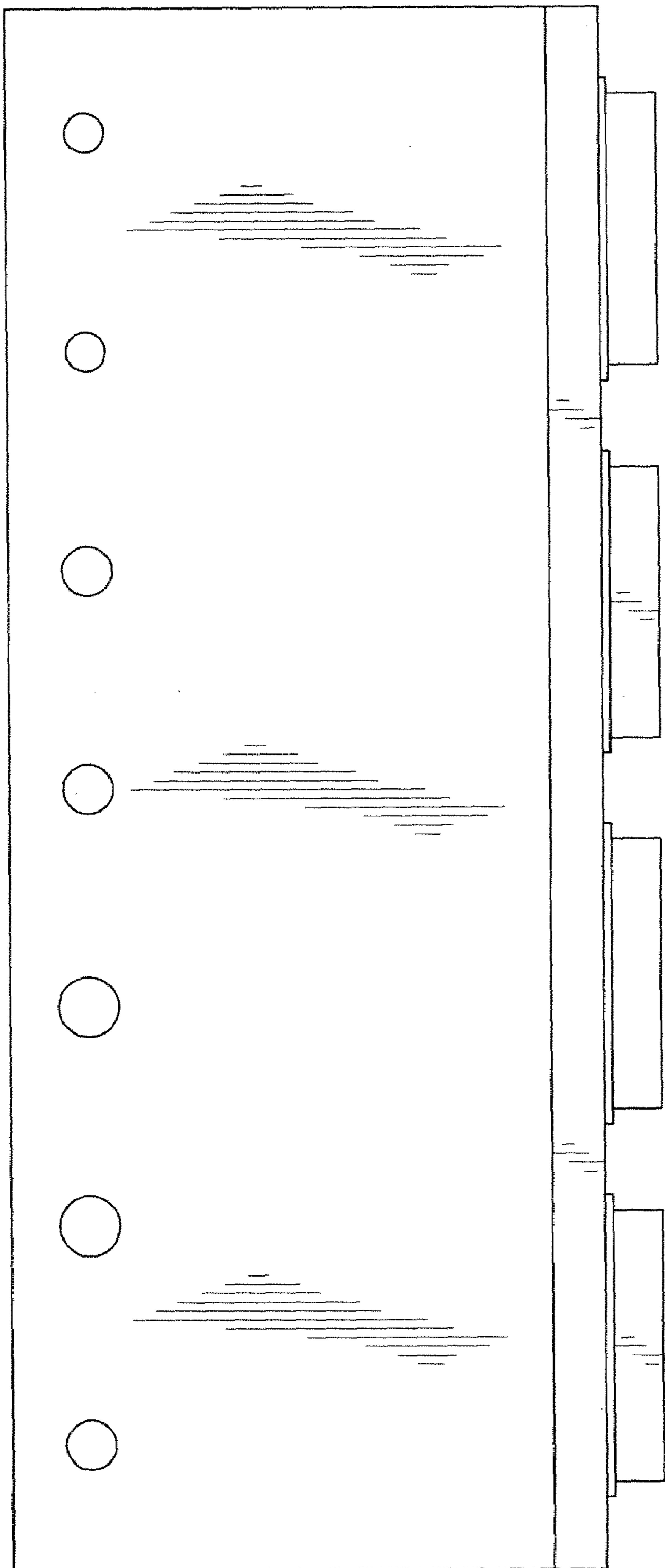


FIG. 8

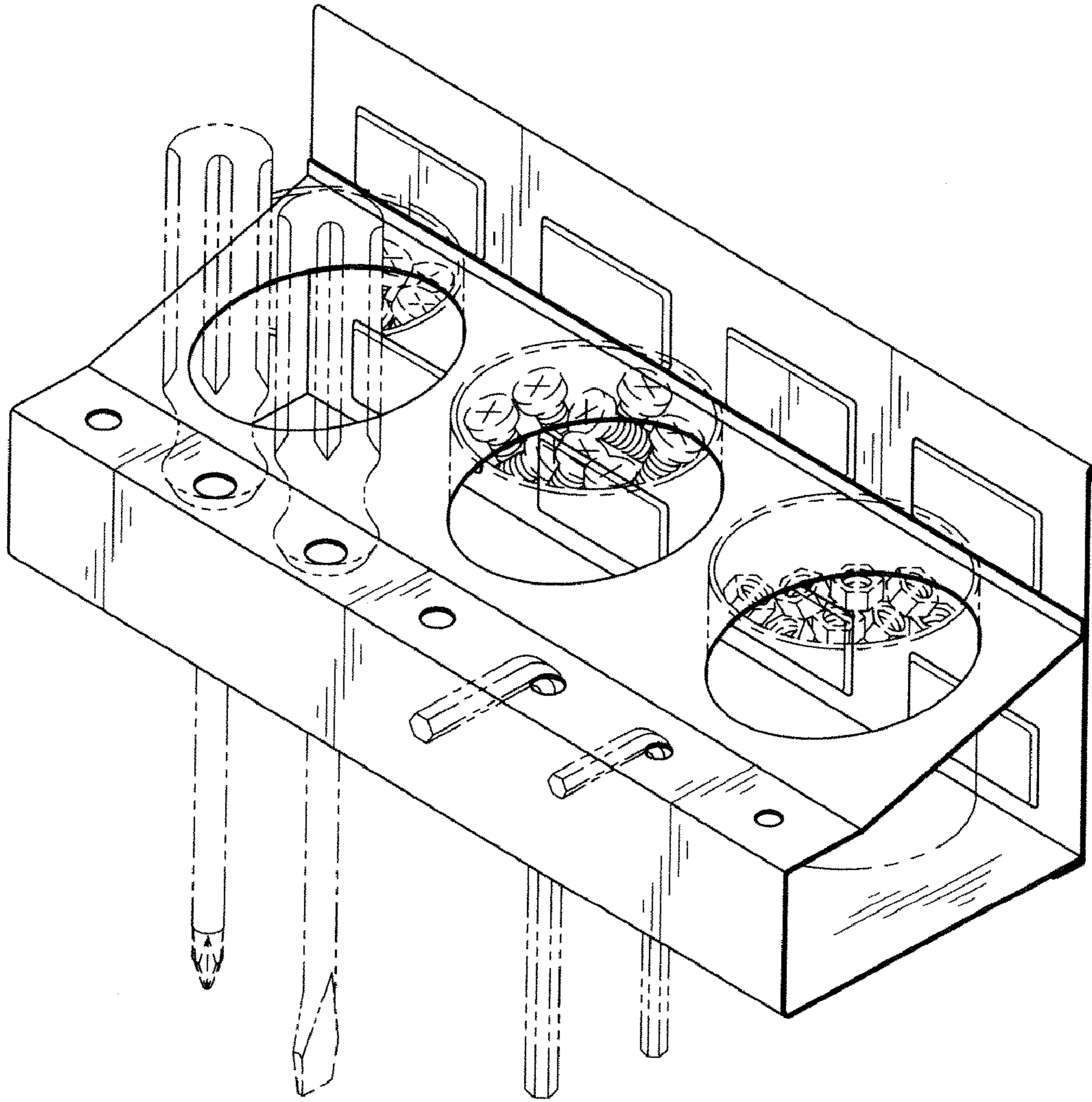


FIG. 9