



US00D602722S

(12) **United States Design Patent**  
**Sandine et al.**

(10) **Patent No.:** **US D602,722 S**

(45) **Date of Patent:** **\*\* Oct. 27, 2009**

(54) **MAGNETIC WOOD QUILT WALL HANGER**

(75) Inventors: **Ruth Marie Sandine**, Santa Rosa, CA (US); **Scott Robert Sandine**, Santa Rosa, CA (US)

(73) Assignees: **Ruth Sandine**, Santa Rose, CA (US); **Scott Sandine**, Santa Rose, CA (US)

(\*\*) Term: **14 Years**

(21) Appl. No.: **29/323,356**

(22) Filed: **Aug. 22, 2008**

(51) **LOC (9) Cl.** ..... **06-04**

(52) **U.S. Cl.** ..... **D6/553**

(58) **Field of Classification Search** ..... D6/552,  
D6/553, 567, 546, 549; 200/77.1; 430/628;  
211/13.1, 86.01, 87.01

See application file for complete search history.

(56) **References Cited**

**U.S. PATENT DOCUMENTS**

- D320,521 S \* 10/1991 Baur ..... D6/553
- D327,382 S \* 6/1992 Cabler ..... D6/553
- D368,197 S \* 3/1996 Fulayter et al. .... D6/553

- D404,235 S \* 1/1999 Vassar ..... D6/553
- D416,735 S \* 11/1999 Haase et al. .... D6/553
- D493,319 S \* 7/2004 Lloyd-Morris ..... D6/553
- D512,254 S \* 12/2005 Ottens ..... D6/553
- D572,066 S \* 7/2008 Swanson ..... D6/553

\* cited by examiner

*Primary Examiner*—Brian N Vinson

(57) **CLAIM**

The ornamental design for a magnetic wood quilt wall hanger, as shown and described.

**DESCRIPTION**

FIG. 1 is a perspective view of a magnetic wood quilt wall hanger, showing my new design, using magnets in a contact with an embedded steel bar to hang and secure quilt.;

FIG. 2 is a front elevational view of the invention;

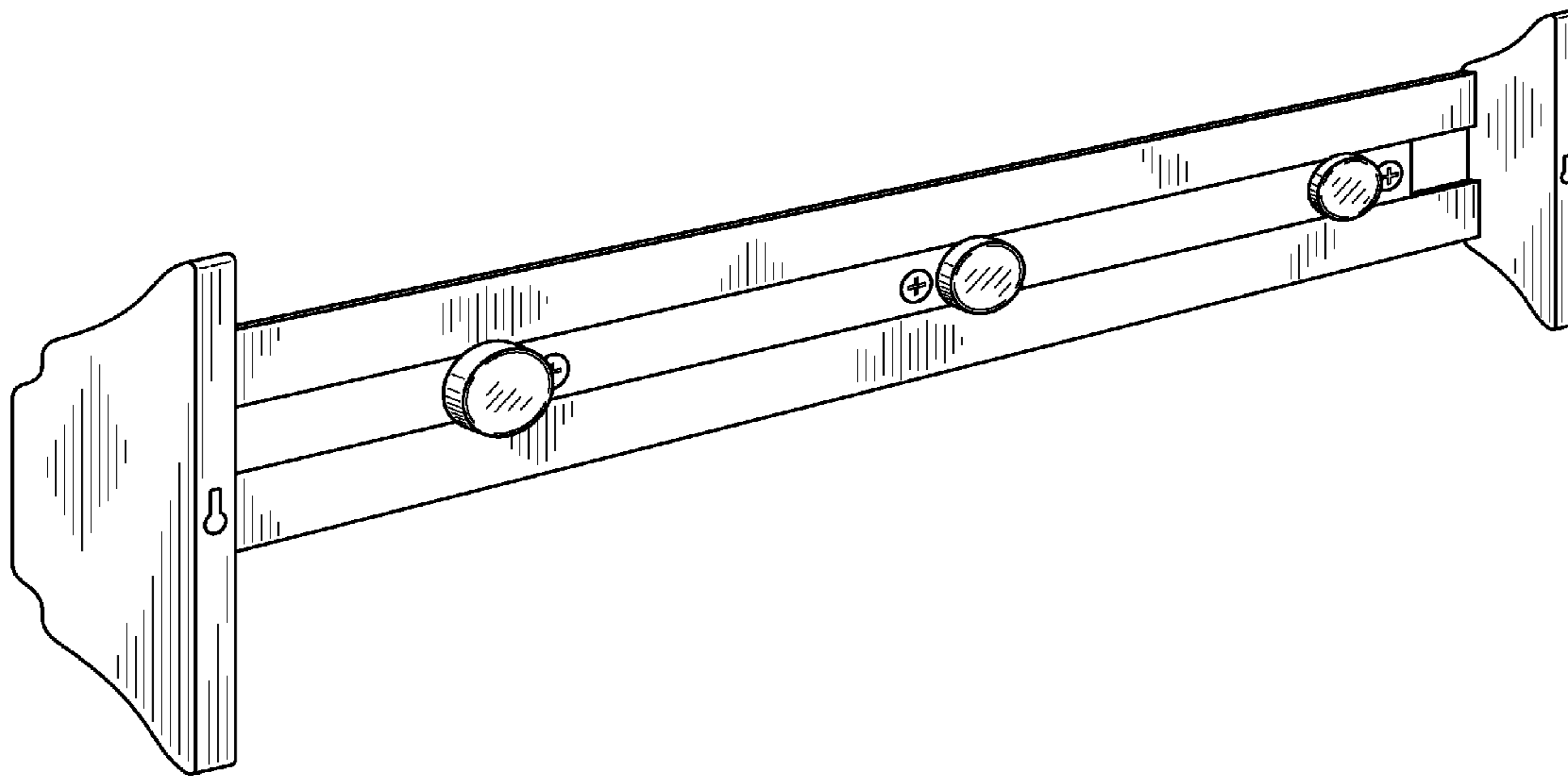
FIG. 3 is a rear elevational view of the invention;

FIG. 4 is a left-side elevational view of the invention, the right-side elevational view being a mirror image thereof;

FIG. 5 is a top plan view of the invention; and,

FIG. 6 is a bottom plan view of the invention.

**1 Claim, 2 Drawing Sheets**



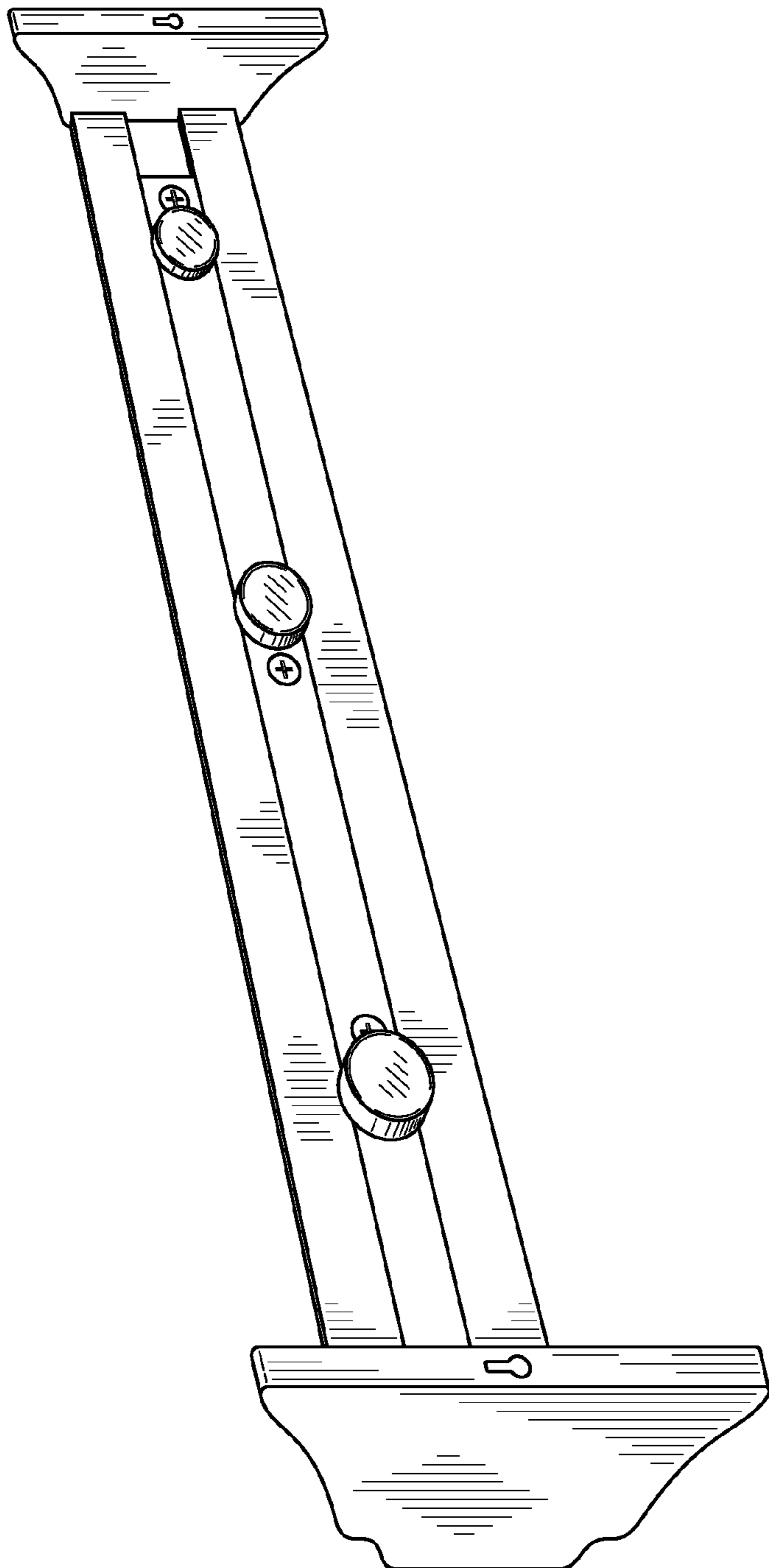


FIG. 1

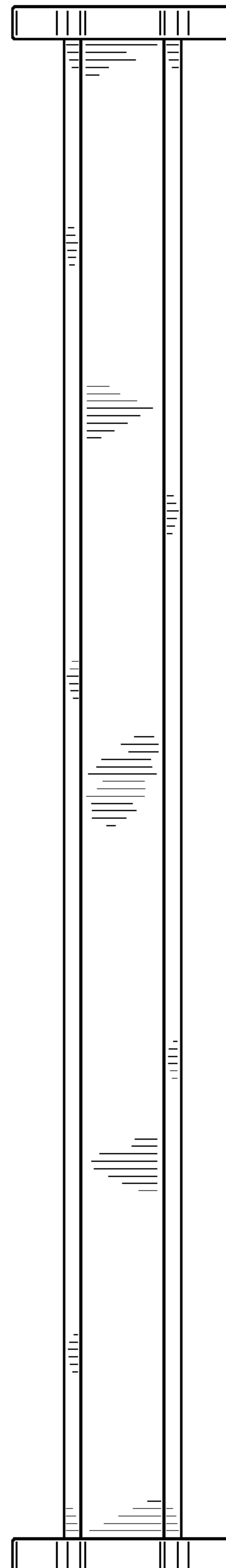


FIG. 2

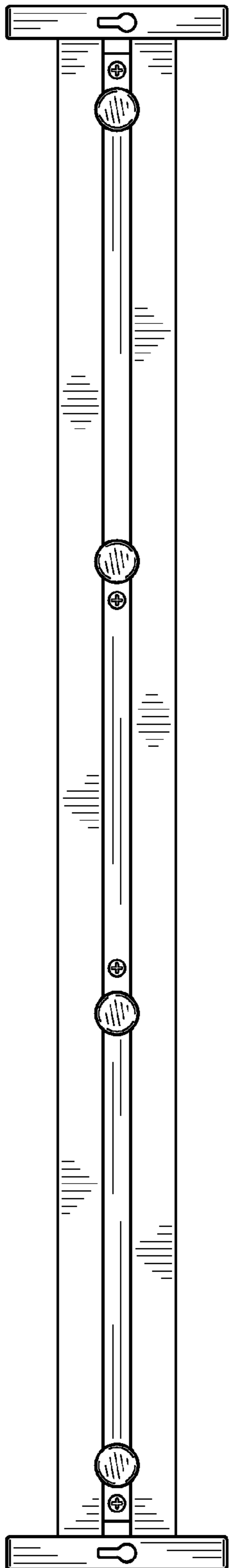


FIG. 3

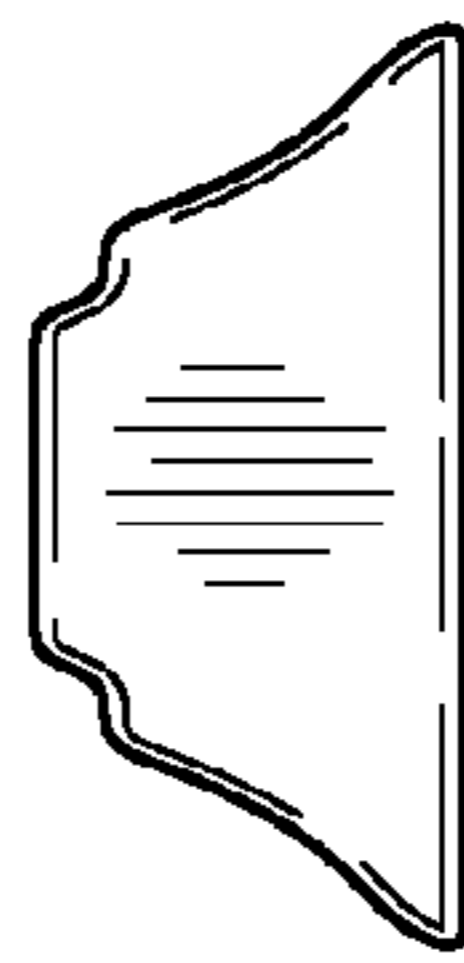


FIG. 4

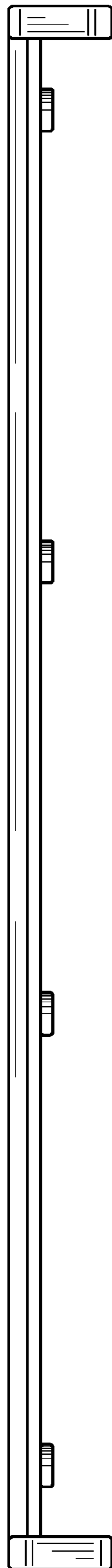


FIG. 5

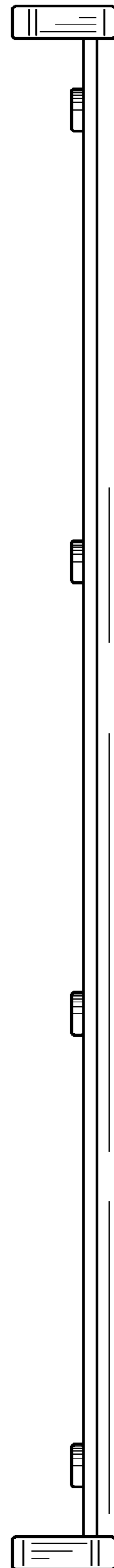


FIG. 6