



US00D602717S

(12) **United States Design Patent**
Pohanka

(10) **Patent No.:** **US D602,717 S**

(45) **Date of Patent:** **** Oct. 27, 2009**

(54) **SET OF CONTROL ELEMENTS FOR A SEAT**

(75) Inventor: **Martin Pohanka**, Stuttgart (DE)

(73) Assignee: **Dr. Ing. h.c. F. Porsche**
Aktiengesellschaft, Weissach (DE)

(**) Term: **14 Years**

(21) Appl. No.: **29/281,568**

(22) Filed: **Jun. 26, 2007**

(30) **Foreign Application Priority Data**

Dec. 27, 2006 (DE) 4 06 06 481

(51) **LOC (9) Cl.** **06-01**

(52) **U.S. Cl.** **D6/500**

(58) **Field of Classification Search** D6/364-369,
D6/334-336, 356, 358, 361, 367, 370, 372-376,
D6/379, 380, 449, 491, 492, 495, 498, 500-502;
297/411.2, 411.27, 411.28, 411.36, 452.29,
297/284.4, 452.3

See application file for complete search history.

(56) **References Cited**

U.S. PATENT DOCUMENTS

5,448,028 A * 9/1995 Fillion et al. 200/52 R

D477,477 S * 7/2003 Siegert D6/500

D541,200 S * 4/2007 Seidel et al. D12/192

D577,645 S * 9/2008 Wyszogrod et al. D12/195

D586,279 S * 2/2009 Yamazaki et al. D12/195

* cited by examiner

Primary Examiner—Caron Veynar

Assistant Examiner—Katrina A Kile

(57) **CLAIM**

The ornamental design for a set of control elements for a seat, as shown and described.

DESCRIPTION

FIG. 1 is a front view of the set of control elements for a seat, showing my new design;

FIG. 2 is a top view thereof;

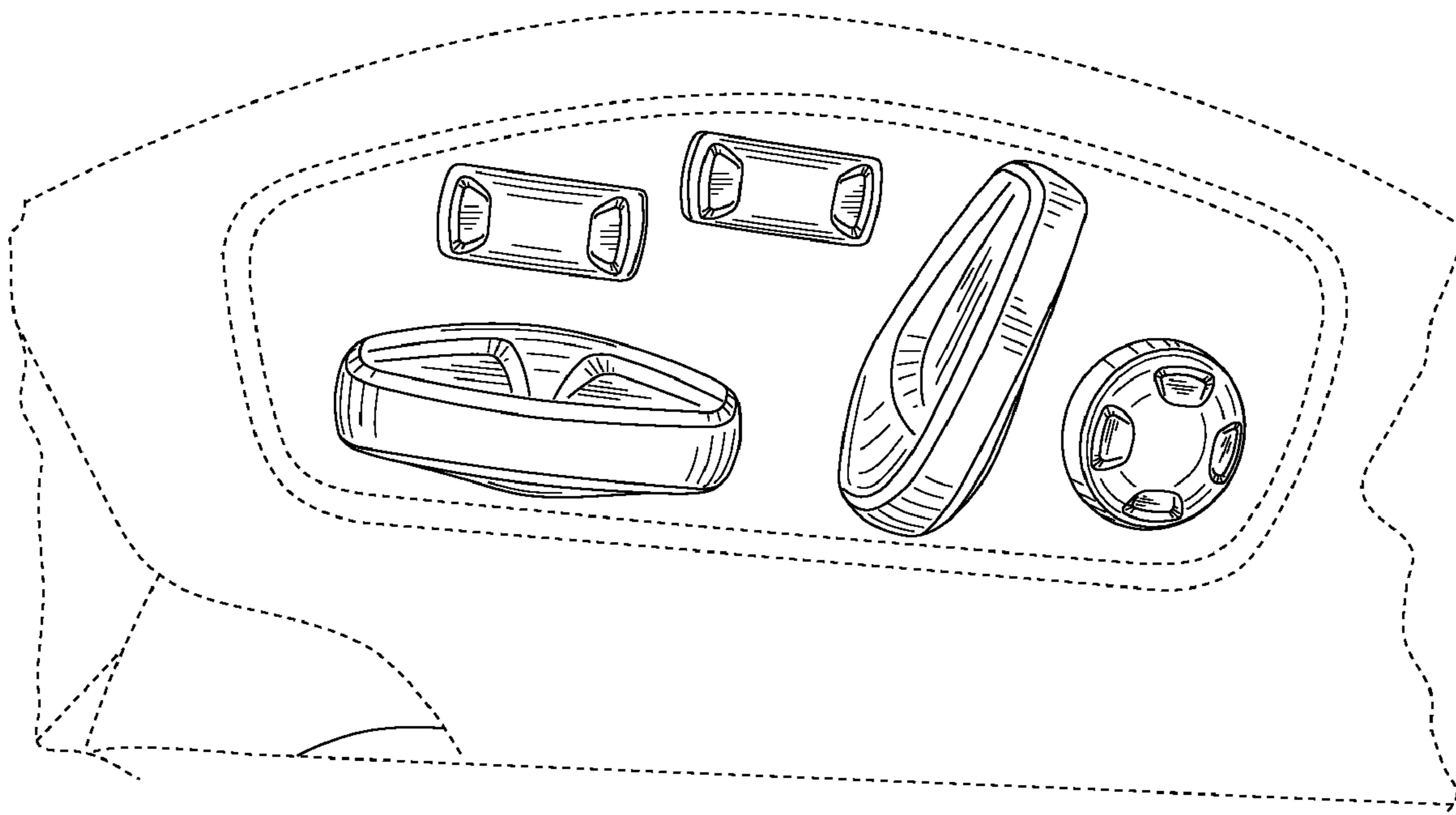
FIG. 3 is a left-side, perspective view thereof;

FIG. 4 is a right-side view thereof;

FIG. 5 is a left-side view thereof; and,

FIG. 6 is a bottom view thereof.

1 Claim, 3 Drawing Sheets



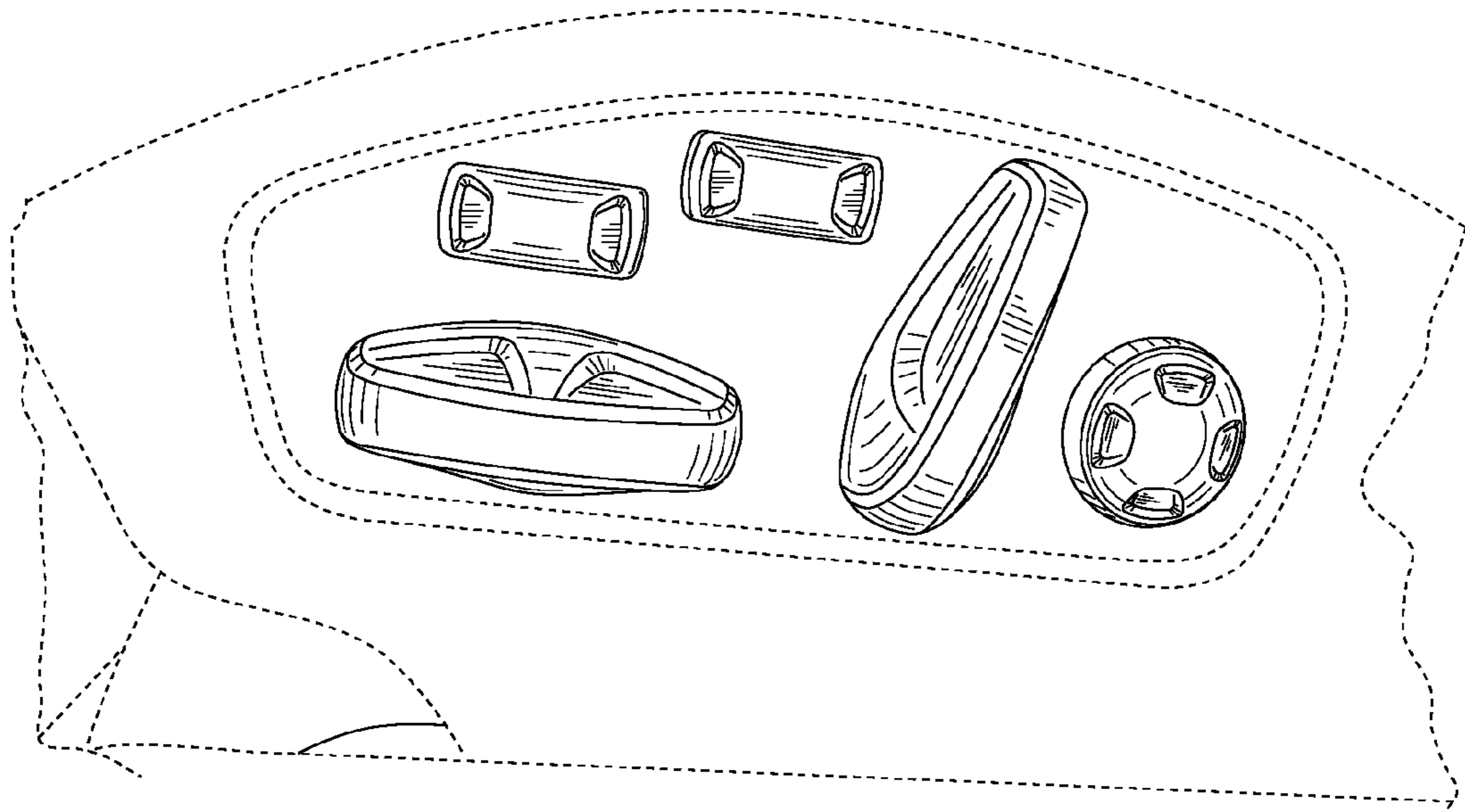


FIG. 1

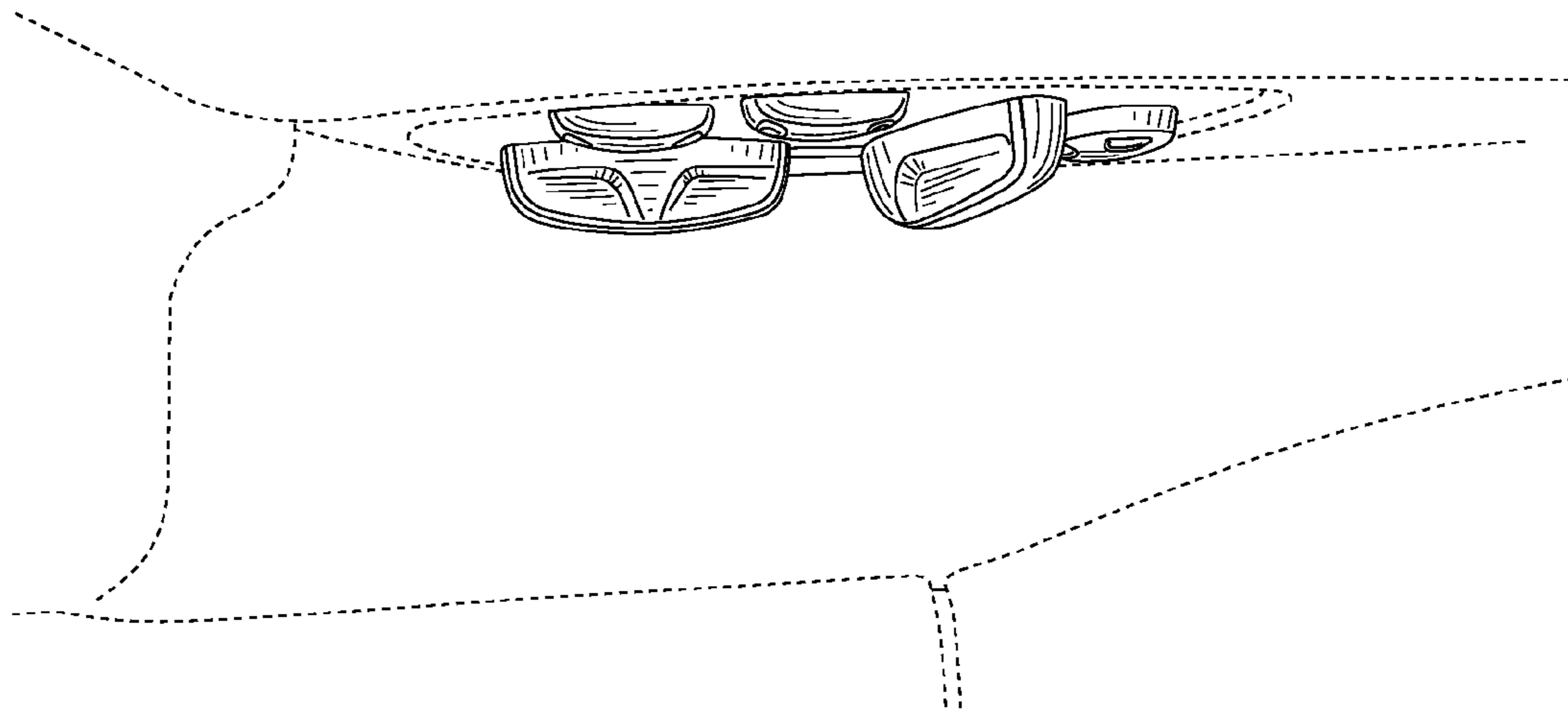


FIG. 2

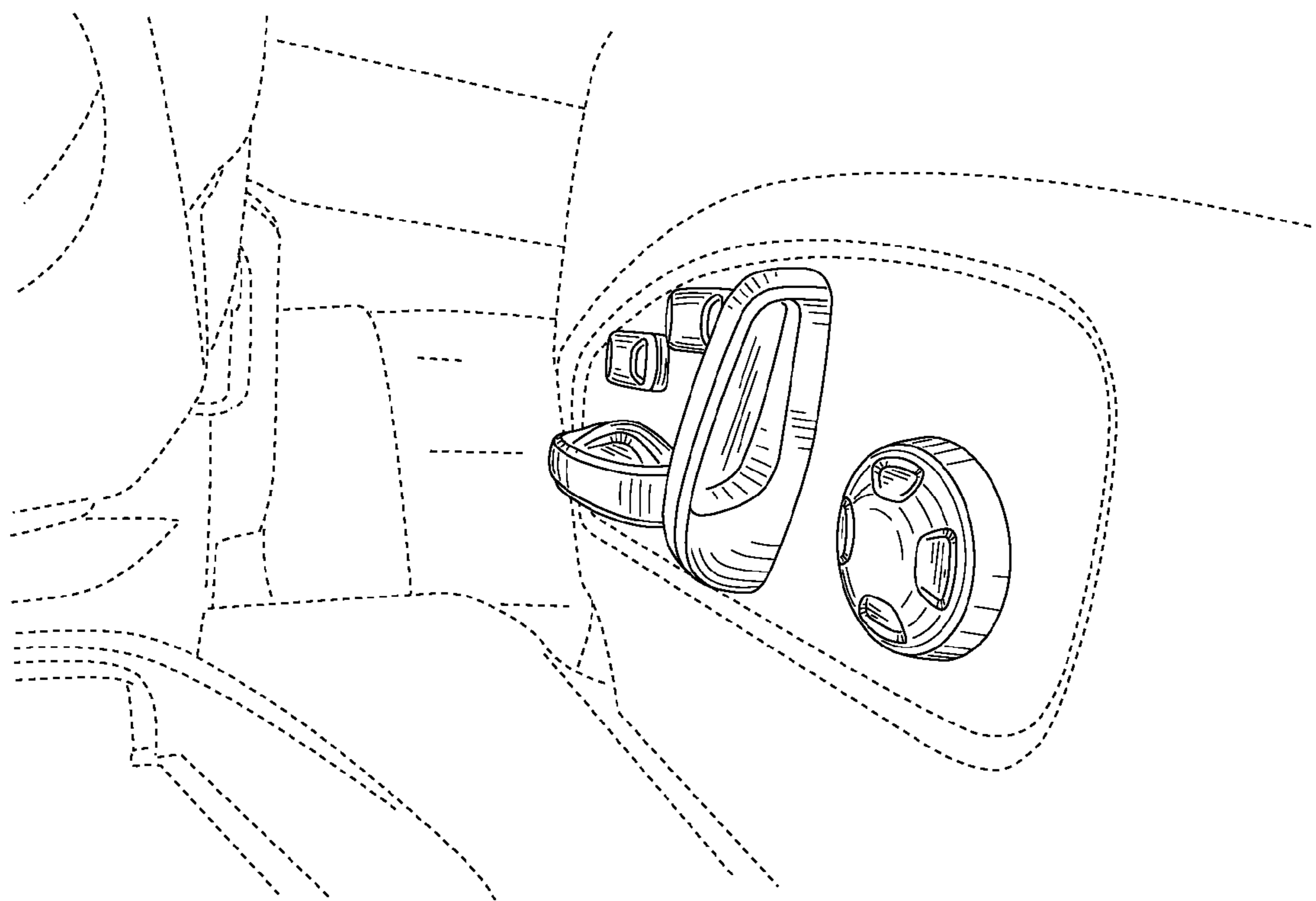


FIG. 3

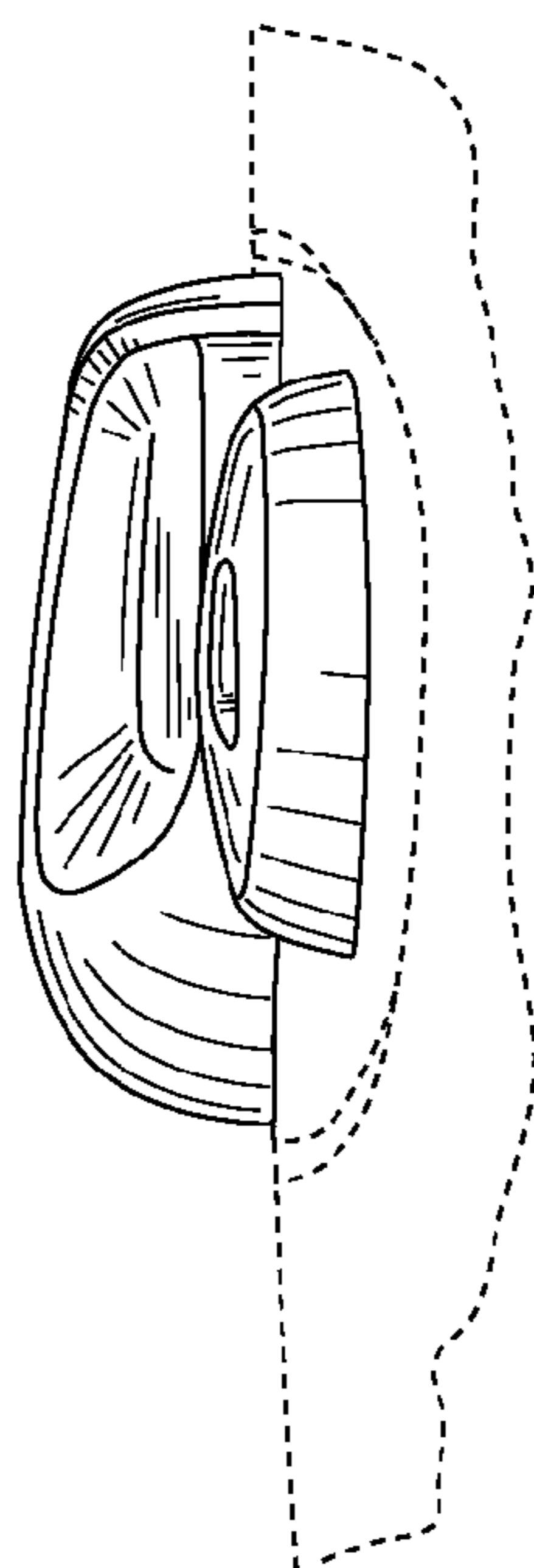


FIG. 4

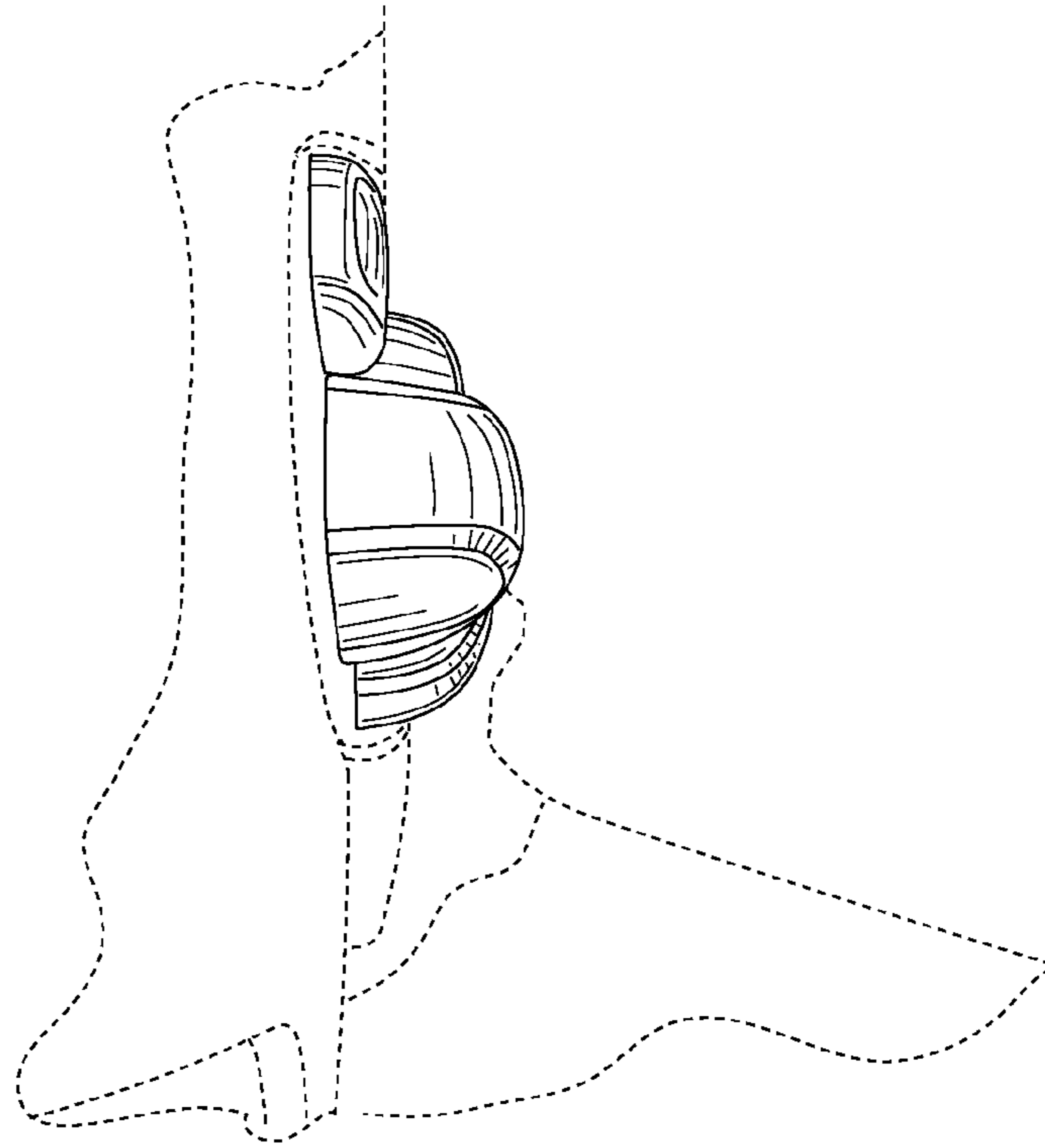


FIG. 5

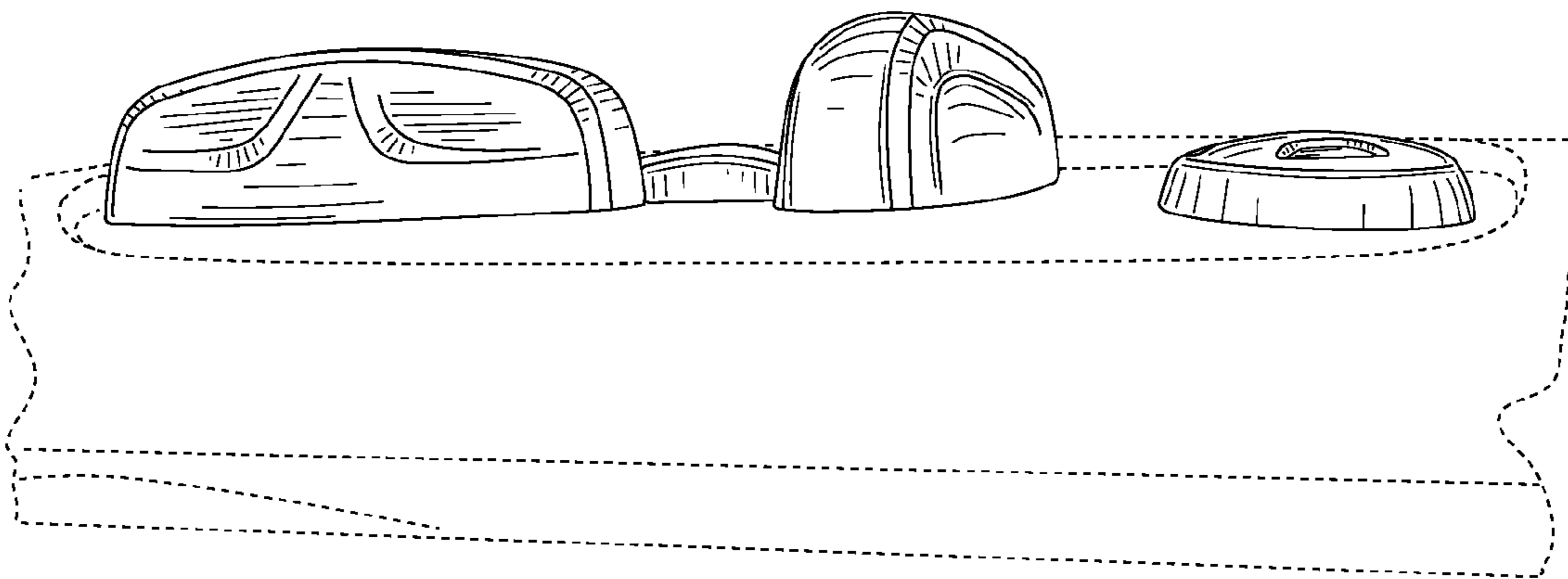


FIG. 6