

US00D602715S

(12) **United States Design Patent**  
**Klein et al.**

(10) **Patent No.:** **US D602,715 S**

(45) **Date of Patent:** **\*\* Oct. 27, 2009**

(54) **MESH SHOE ORGANIZER**

(75) Inventors: **Richard B. Klein**, Overland Park, KS (US); **Mark A. Etter**, Independence, MO (US); **Brian Everett**, Shawnee, KS (US)

(73) Assignee: **Lynk, Inc.**, Lenexa, KS (US)

(\*\*) Term: **14 Years**

(21) Appl. No.: **29/330,793**

(22) Filed: **Jan. 14, 2009**

(51) **LOC (9) Cl.** ..... **06-04**

(52) **U.S. Cl.** ..... **D6/492; D6/414; D6/459**

(58) **Field of Classification Search** ..... D6/414, D6/459, 411, 465, 463, 407, 396, 462; 211/37, 211/38, 34, 85.31, 133.2, 133.5, 181.1, 187, 211/175, 189, 182

See application file for complete search history.

(56) **References Cited**

**U.S. PATENT DOCUMENTS**

1,927,997	A *	9/1933	Turner et al.	211/38
2,276,141	A *	3/1942	Atkinson	211/37
4,896,778	A *	1/1990	Ferdinand et al.	211/175
D341,500	S *	11/1993	Klein et al.	D6/411
D398,787	S *	9/1998	Malik	D6/411
D403,880	S *	1/1999	Malik	D6/411
D424,320	S *	5/2000	Klein et al.	D6/411
D458,772	S *	6/2002	Klein et al.	D6/462
D462,539	S *	9/2002	Segall	D6/411
D587,490	S *	3/2009	Siegel	D6/459

**OTHER PUBLICATIONS**

[http://ww.target.com/lynk-mesh-sided-shoe-platinum/dp/b00271teoi/sr=1245277015/ref=s; printed on Jun. 17, 2009.\\*](http://ww.target.com/lynk-mesh-sided-shoe-platinum/dp/b00271teoi/sr=1245277015/ref=s; printed on Jun. 17, 2009.*)  
[http://ww.target.com/lynk-mesh-sided-shoe-bronze/dp/b0027203gu/ref=pd\\_ecc\\_rvi\\_1?ie=utf8&pf\\_re\\_r=07gf40smrfqgnhjmb37n&pf\\_rd\\_i=00011fnzu&pf\\_re\\_m=A1vc38t7yxb528&pf\\_re\\_t=2-1; printed on Jun. 17, 2009.\\*](http://ww.target.com/lynk-mesh-sided-shoe-bronze/dp/b0027203gu/ref=pd_ecc_rvi_1?ie=utf8&pf_re_r=07gf40smrfqgnhjmb37n&pf_rd_i=00011fnzu&pf_re_m=A1vc38t7yxb528&pf_re_t=2-1; printed on Jun. 17, 2009.*)

\* cited by examiner

*Primary Examiner*—Caron Veynar

*Assistant Examiner*—Sydney R Buffalow

(74) *Attorney, Agent, or Firm*—Stinson Morrison Hecker LLP

(57) **CLAIM**

The ornamental design for a mesh shoe organizer, as shown and described.

**DESCRIPTION**

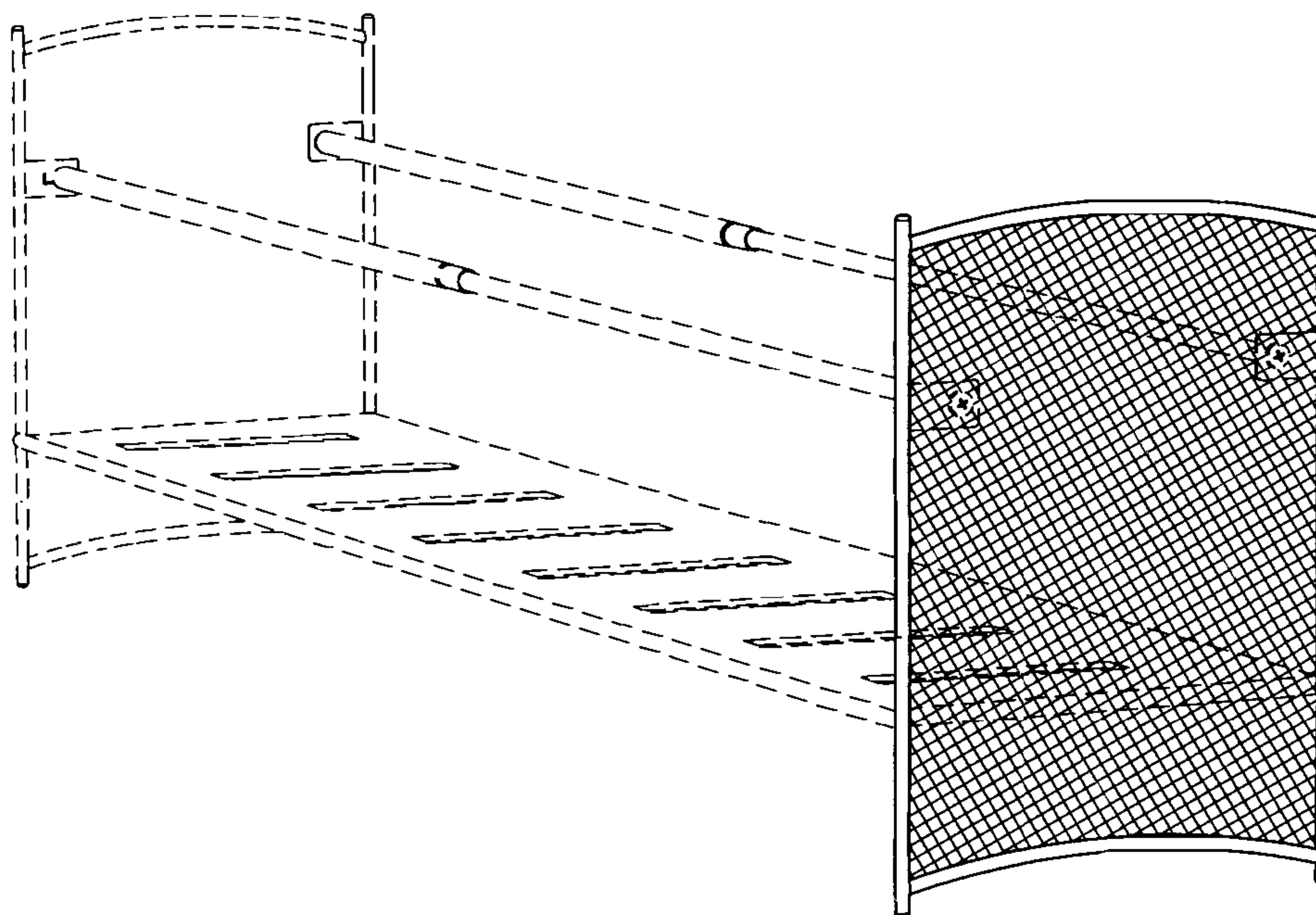
FIG. 1 is a front perspective view of the mesh shoe organizer; FIG. 2 is a left side elevational view of the mesh shoe organizer of FIG. 1;

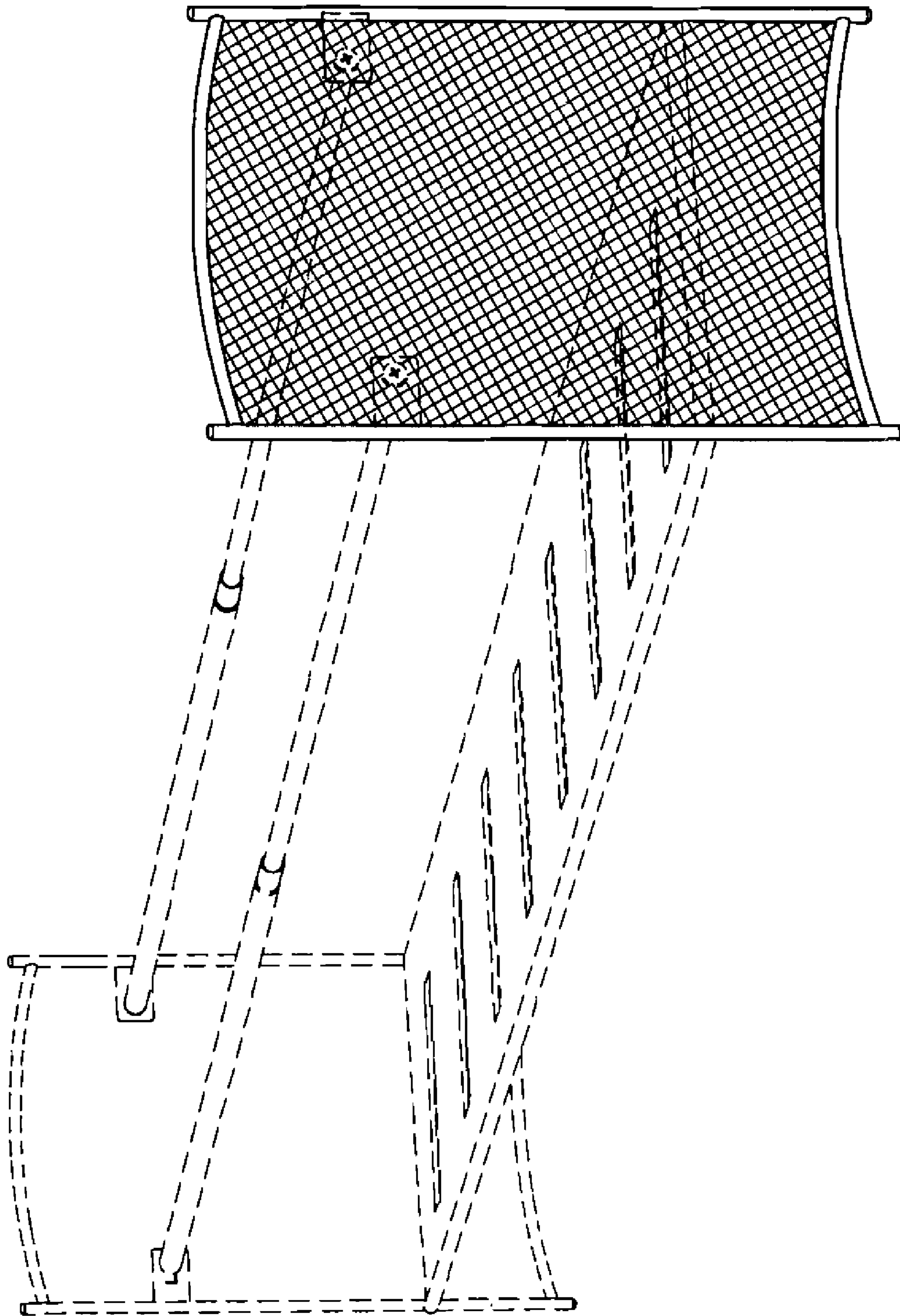
FIG. 3 is a front elevational view of the mesh shoe organizer of FIG. 1; and,

FIG. 4 is a bottom plan view of the mesh shoe organizer of FIG. 1.

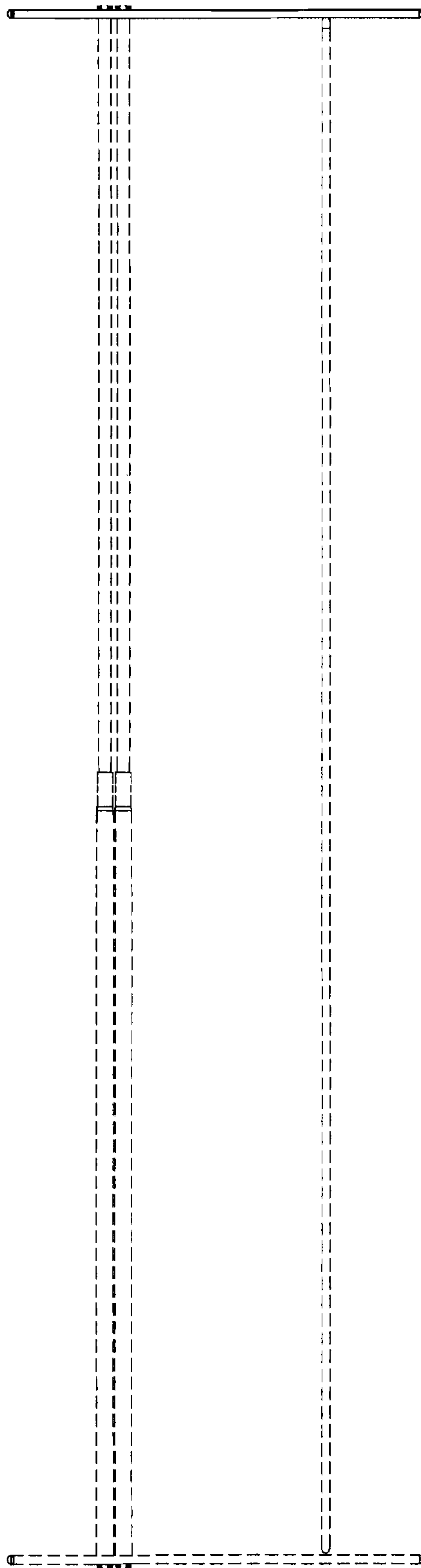
The broken lines shown in the drawings form no part of the claimed design. The right side elevational view of the claimed design is a mirror image of FIG. 2. The rear elevational view of the claimed design is a mirror image of FIG. 3. The top plan view of the claimed design is a mirror image of FIG. 4.

**1 Claim, 4 Drawing Sheets**



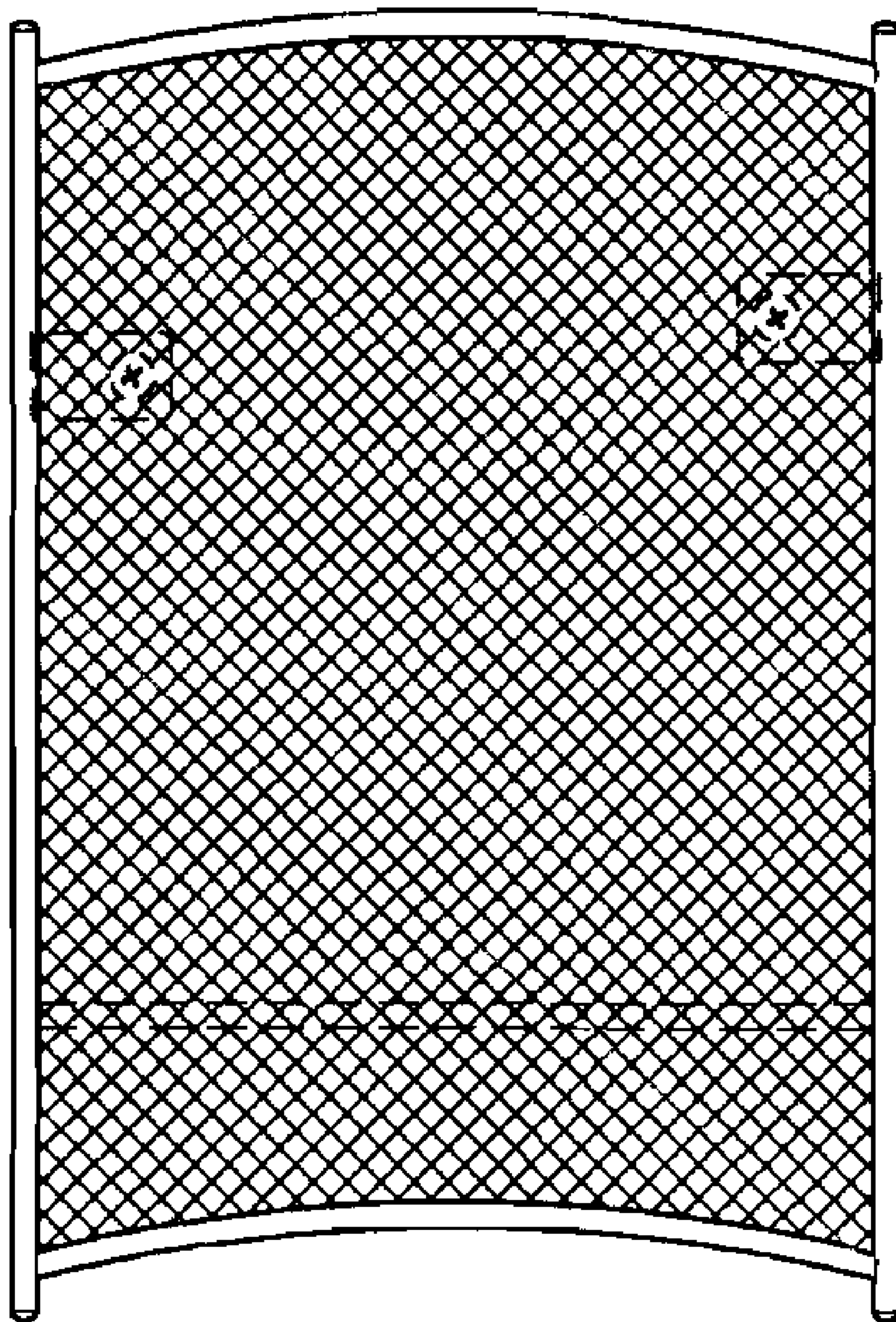


**FIG. - 1**

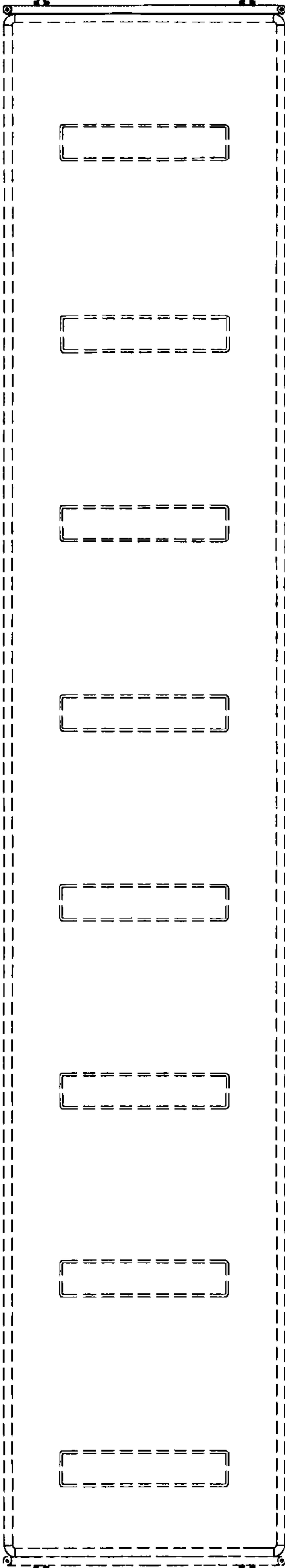


*FIG. - 2*





***FIG. - 3***



*FIG. -4*