

US00D602713S

(12) **United States Design Patent**
Stukenberg

(10) **Patent No.:** **US D602,713 S**
(45) **Date of Patent:** **** Oct. 27, 2009**

- (54) **CONVERTIBLE FIXTURE**
- (75) Inventor: **Joseph R. Stukenberg**, Minneapolis, MN (US)
- (73) Assignee: **Target Brands, Inc.**, Minneapolis, MN (US)
- (**) Term: **14 Years**
- (21) Appl. No.: **29/331,754**
- (22) Filed: **Jan. 30, 2009**
- (51) **LOC (9) Cl.** **06-04**
- (52) **U.S. Cl.** **D6/466**
- (58) **Field of Classification Search** D6/509, D6/369, 467, 468, 553, 567, 449, 463, 475, D6/476, 396, 466; 211/195, 162, 194, 189, 211/206, 87.01, 49.1, 49.14, 13.1, 85.26, 211/90.01, 103, 193, 105.1, 181.1; 118/500; 312/108, 258, 264, 107; 280/79, 347.35
See application file for complete search history.

- D318,194 S 7/1991 Terrell et al.
- D319,934 S 9/1991 Terrell et al.
- 5,272,991 A 12/1993 Carrigan, Jr.
- 5,433,046 A 7/1995 MacQuarrie et al.
- D371,026 S 6/1996 Hendler et al.
- 5,535,898 A 7/1996 Burgess, Sr. et al.
- 5,607,070 A 3/1997 Hellyer
- 5,611,442 A 3/1997 Howard
- 5,653,349 A 8/1997 Dana et al.
- 5,660,637 A 8/1997 Dodge
- D394,360 S 5/1998 Geier et al.
- D409,858 S 5/1999 Reed
- 5,918,750 A 7/1999 Jackson
- 5,921,190 A 7/1999 Wood
- 5,944,203 A 8/1999 Vlah et al.
- D417,978 S 12/1999 Reed
- 6,029,833 A 2/2000 Yeh
- 6,053,115 A 4/2000 Felton
- D427,457 S 7/2000 Heiny et al.
- D450,948 S 11/2001 Stafford et al.
- D451,300 S 12/2001 Stafford et al.
- 6,427,855 B2 8/2002 LaBruna, Jr. et al.
- D466,331 S 12/2002 Chang
- 6,488,160 B2 12/2002 Wang
- D470,685 S 2/2003 Chang
- D474,350 S 5/2003 Sardis
- 6,561,365 B2 5/2003 Bustos
- 6,561,366 B2 5/2003 Kim-So
- 6,669,037 B1 12/2003 Ahn
- D495,523 S 9/2004 Harwanko
- 6,935,523 B2 8/2005 Ahn
- 6,959,824 B1 11/2005 Alperson
- D533,738 S 12/2006 Berg et al.
- D554,919 S 11/2007 Clark et al.
- D571,130 S 6/2008 Clark et al.
- D571,131 S 6/2008 Clark et al.

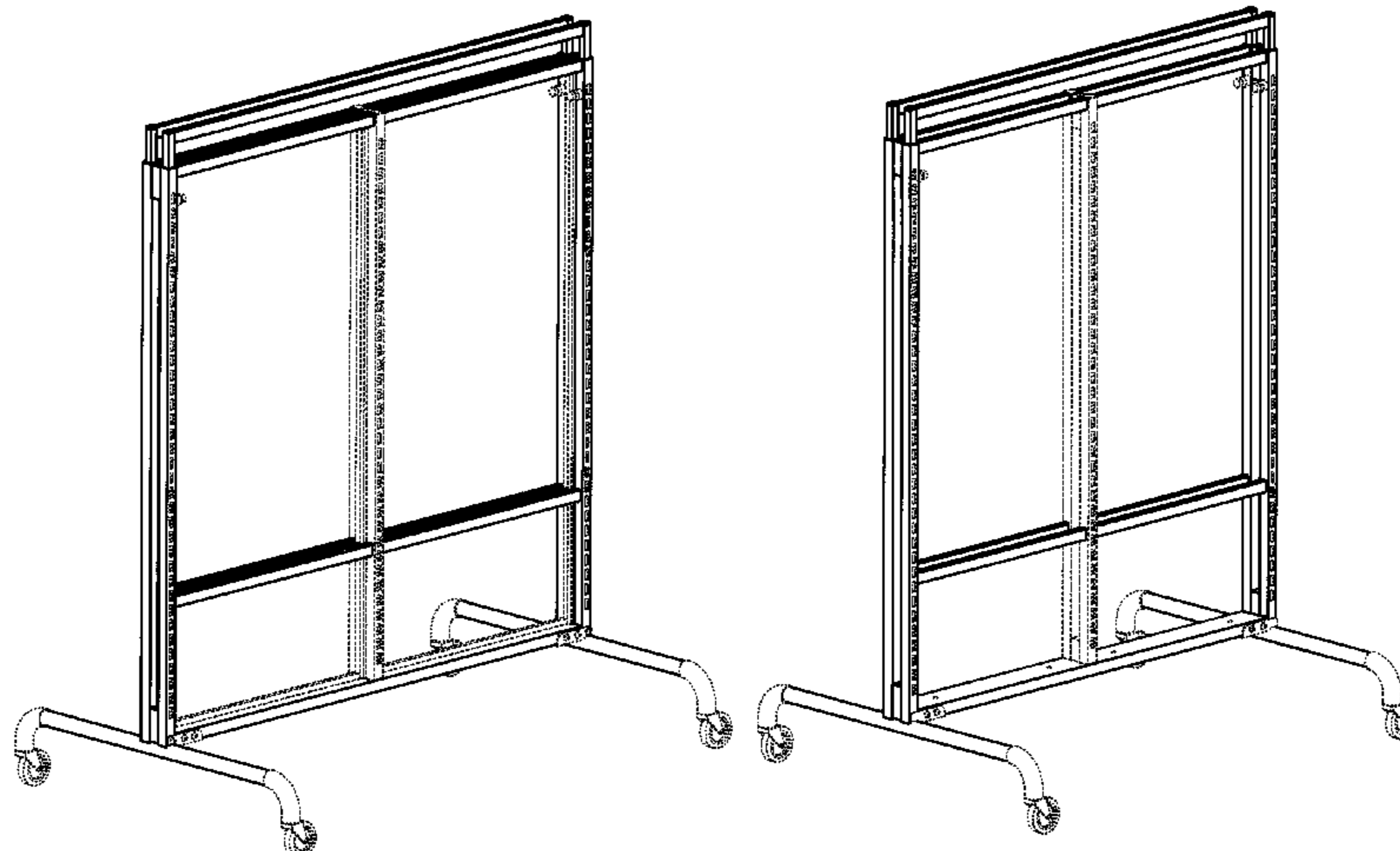
(56) **References Cited**
U.S. PATENT DOCUMENTS

- 2,710,241 A 6/1955 Lieberman
- 2,798,618 A 7/1957 Singer
- 2,893,568 A 7/1959 Scholz
- 3,297,374 A 1/1967 Radek
- 3,411,634 A 11/1968 Pesce
- 3,601,256 A 8/1971 Bowers, Jr et al.
- 3,737,048 A 6/1973 Giroux
- 3,830,374 A 8/1974 Kassimir
- 3,856,320 A 12/1974 Blanchard
- 3,865,250 A 2/1975 Jay
- 4,046,083 A 9/1977 Murdoch et al.
- 4,127,196 A 11/1978 Boucher
- 4,191,298 A 3/1980 Broudy
- 4,331,245 A 5/1982 Schell
- 4,380,298 A 4/1983 Harig
- 4,444,322 A 4/1984 Lee
- 4,460,097 A 7/1984 Darnell, II et al.
- 4,716,841 A 1/1988 Suttles
- 4,925,038 A 5/1990 Gajewski

OTHER PUBLICATIONS

Jeremy A. Clark et al., Display Fixture Accessories, U.S. Appl. No. 11/627,262, filed Jan. 25, 2007 (45 pgs.).

Primary Examiner—Caron Veynar
Assistant Examiner—Sydney R Buffalow
(74) *Attorney, Agent, or Firm*—Griffiths & Seaton PLLC



(57)

CLAIM

The ornamental design for a convertible fixture, as shown and described.

DESCRIPTION

FIG. 1 is a top, perspective view of a convertible fixture in a retracted state, showing my new design;

FIG. 2 is a top, perspective view of a FIG. 1 in an extended state thereof;

FIG. 3 is a bottom, perspective view of FIG. 1 thereof;

FIG. 4 is a front view of FIG. 1 thereof;

FIG. 5 is a back view of FIG. 1 thereof;

FIG. 6 is a top view of FIG. 1 thereof;

FIG. 7 is a bottom view of FIG. 1 thereof;

FIG. 8 is a right end view of FIG. 1, a left end view being an identical, mirror image thereof;

FIG. 9 is a top, perspective view of a convertible fixture in a retracted state, according to a second embodiment;

FIG. 10 is a top, perspective view thereof in an extended state, according to the second embodiment;

FIG. 11 is a bottom, perspective view thereof, according to the second embodiment;

FIG. 12 is a front view thereof, according to the second embodiment;

FIG. 13 is a back view thereof, according to the second embodiment;

FIG. 14 is a top view thereof, according to the second embodiment;

FIG. 15 is a bottom view thereof, according to the second embodiment;

FIG. 16 is a right end view thereof, a left end view thereof being an identical, mirror image of the right end view, according to the second embodiment;

FIG. 17 is a top, perspective view of a convertible fixture in a retracted state, according to a third embodiment;

FIG. 18 is a top, perspective view thereof in an extended state, according to the third embodiment;

FIG. 19 is a bottom, perspective view thereof, according to the third embodiment;

FIG. 20 is a front view thereof, according to the third embodiment;

FIG. 21 is a back view thereof, according to the third embodiment;

FIG. 22 is a top view thereof, according to the third embodiment;

FIG. 23 is a bottom view thereof, according to the third embodiment; and,

FIG. 24 is a right end view thereof, a left end view thereof being an identical, mirror image of the right end view, according to the third embodiment.

The broken lines are for illustrative purposes only and form no part of the claimed design.

1 Claim, 21 Drawing Sheets

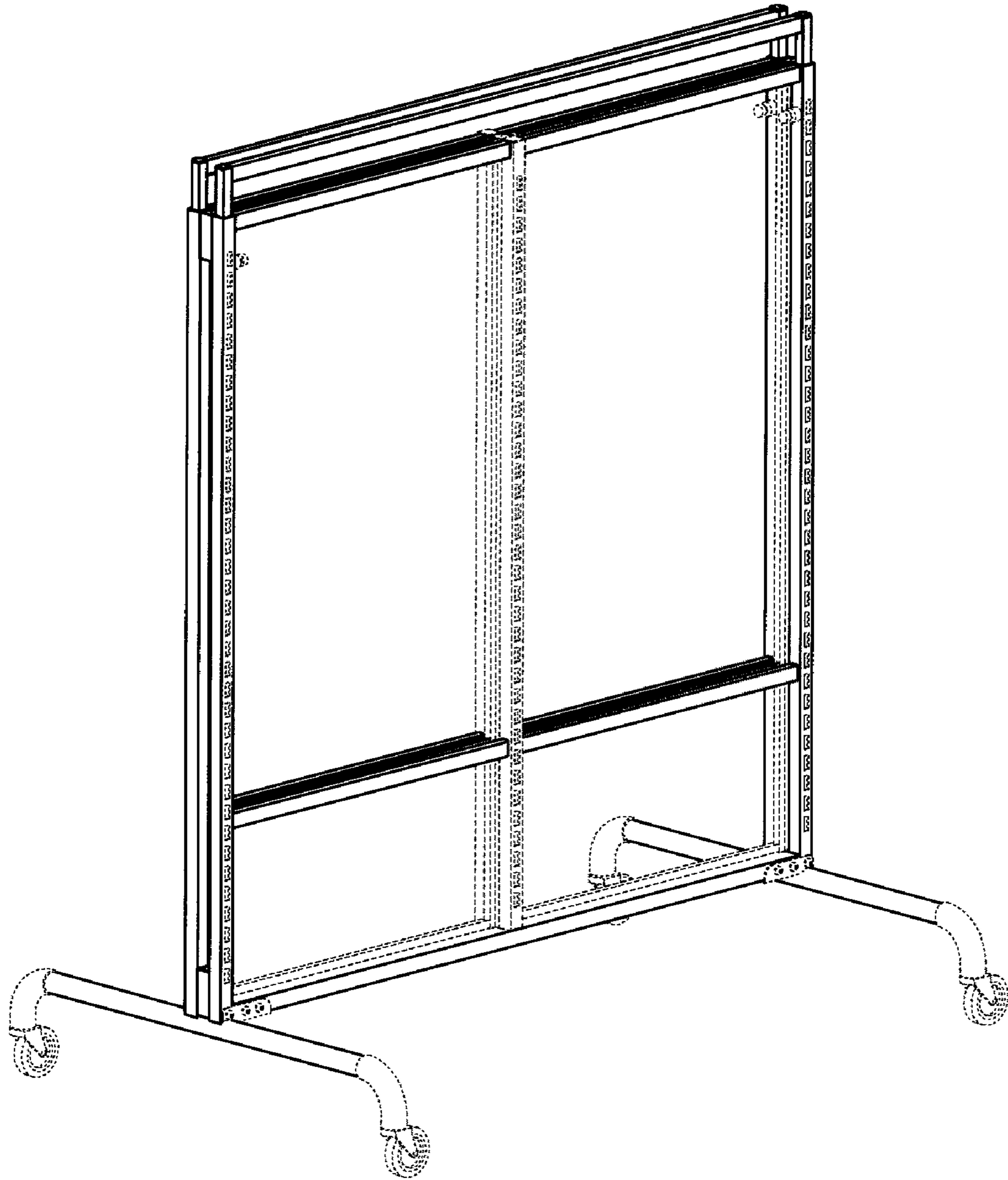


Fig. 1

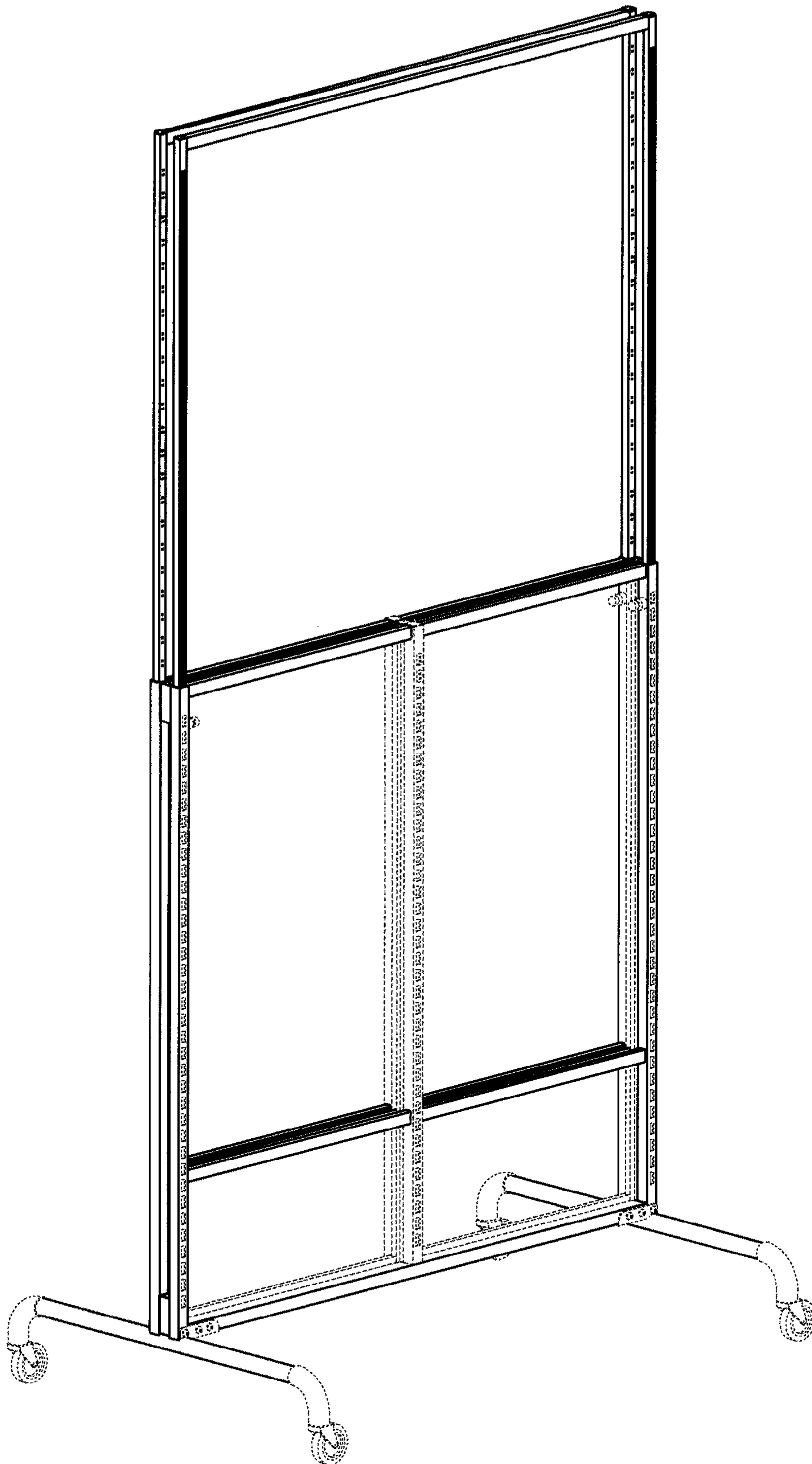


Fig. 2

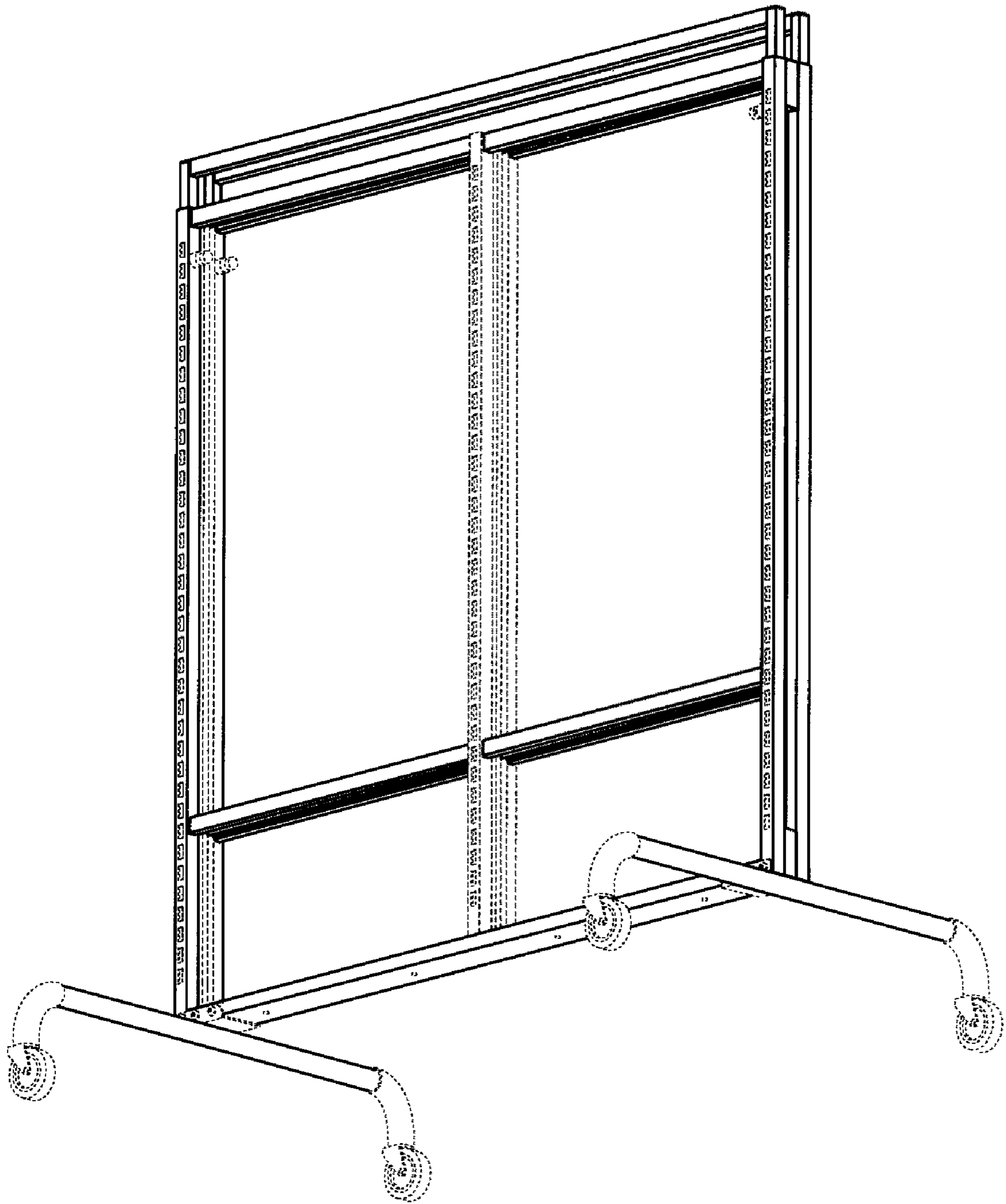


Fig. 3

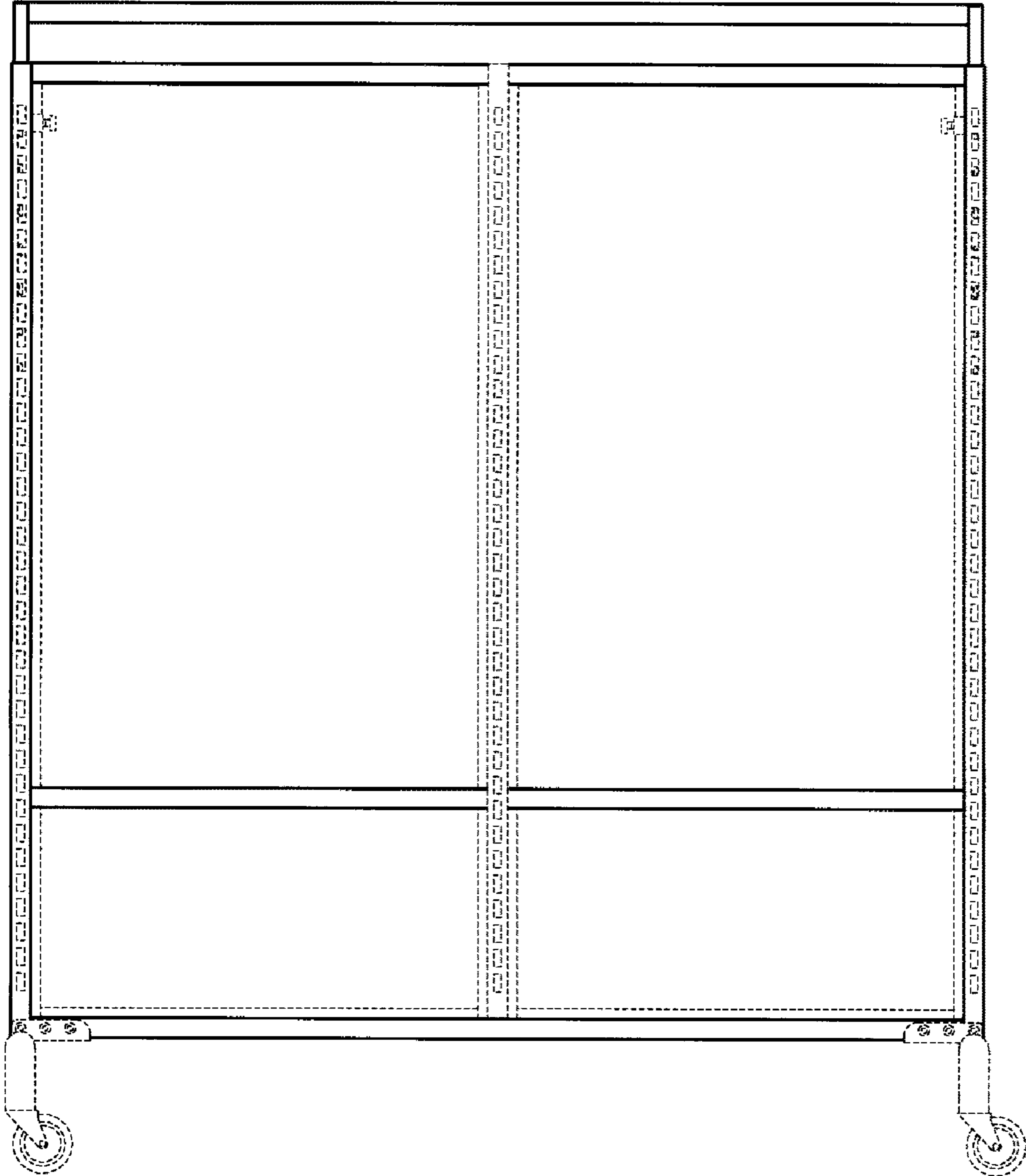


Fig. 4

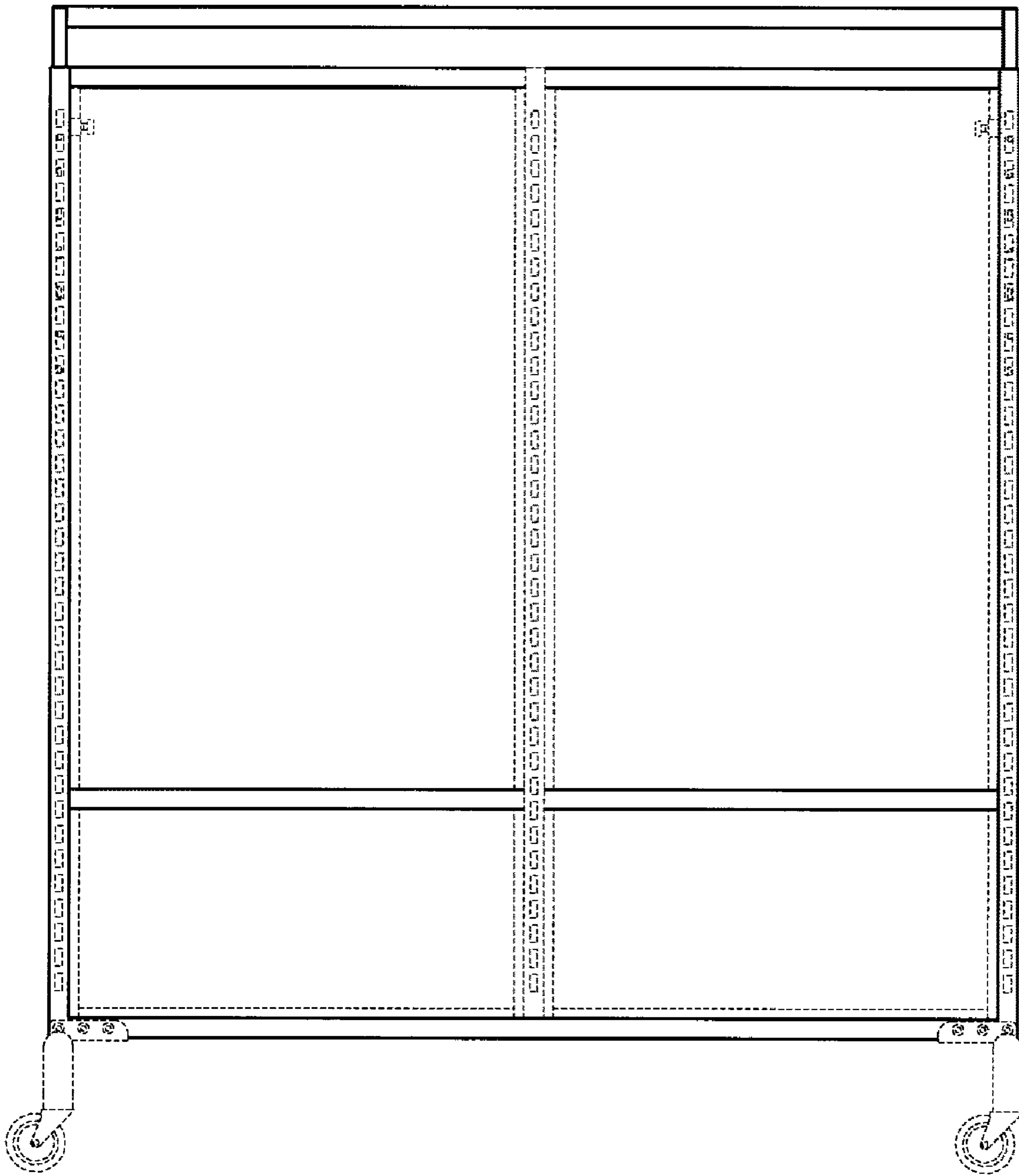


Fig. 5

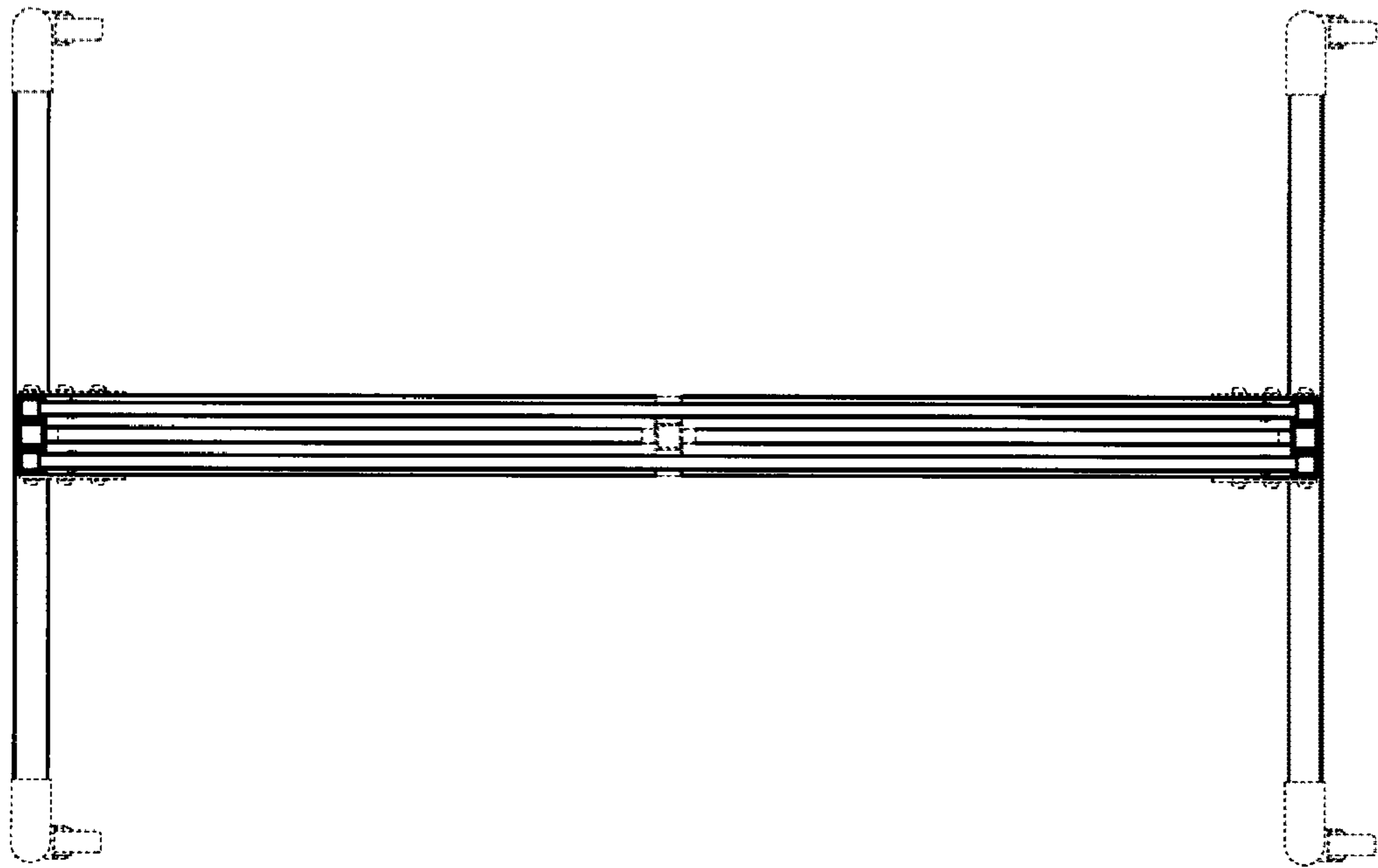


Fig. 6

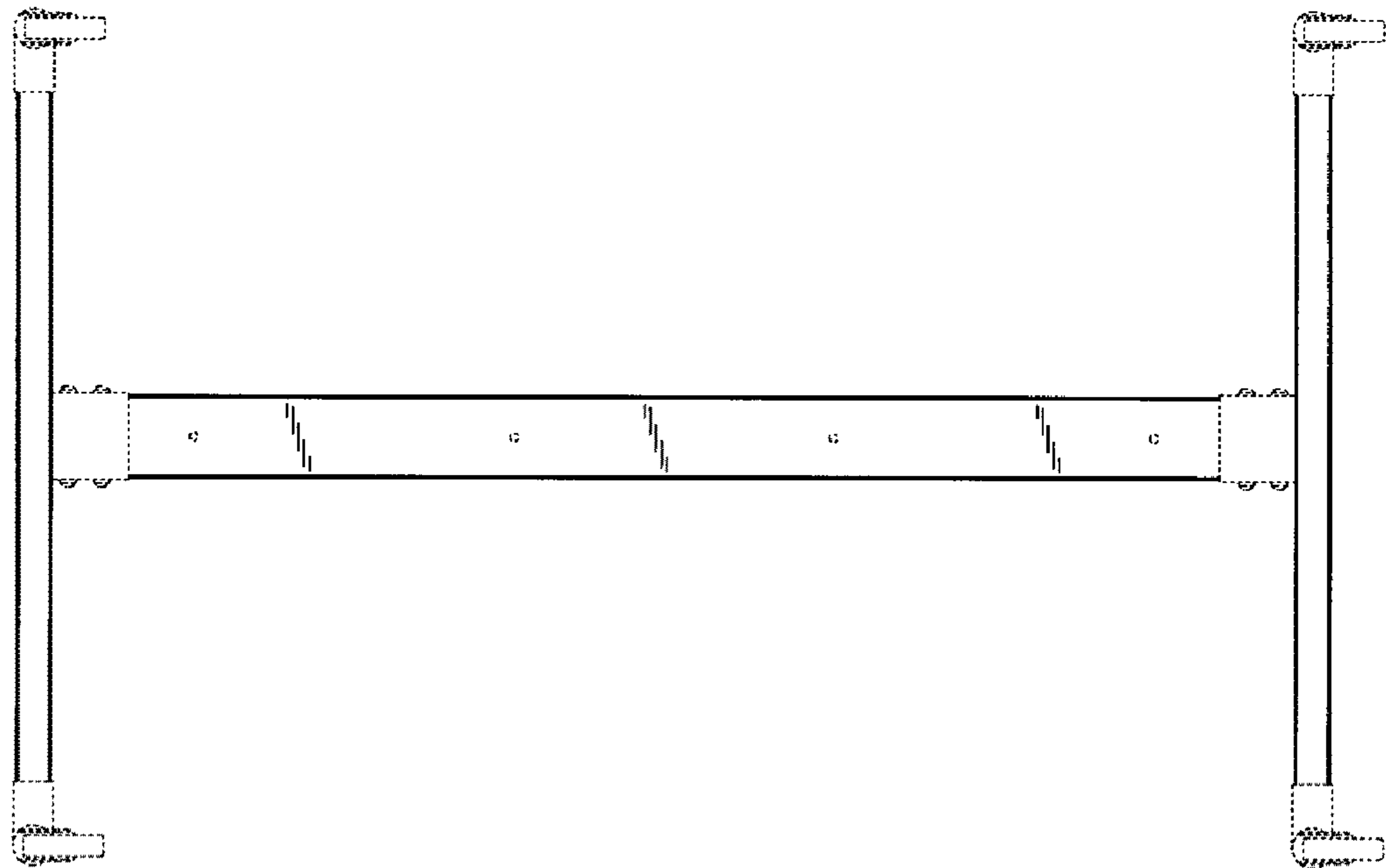


Fig. 7

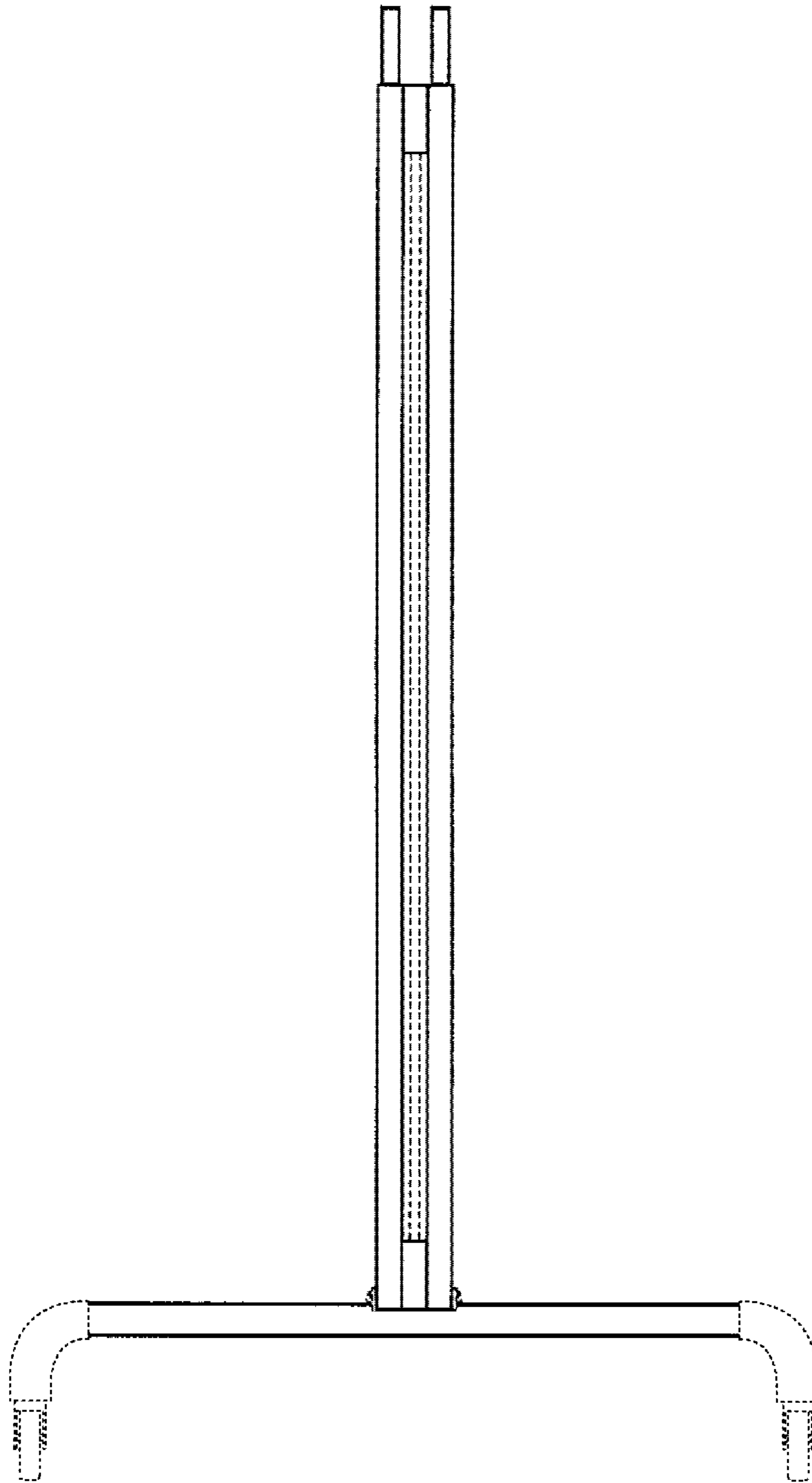


Fig. 8

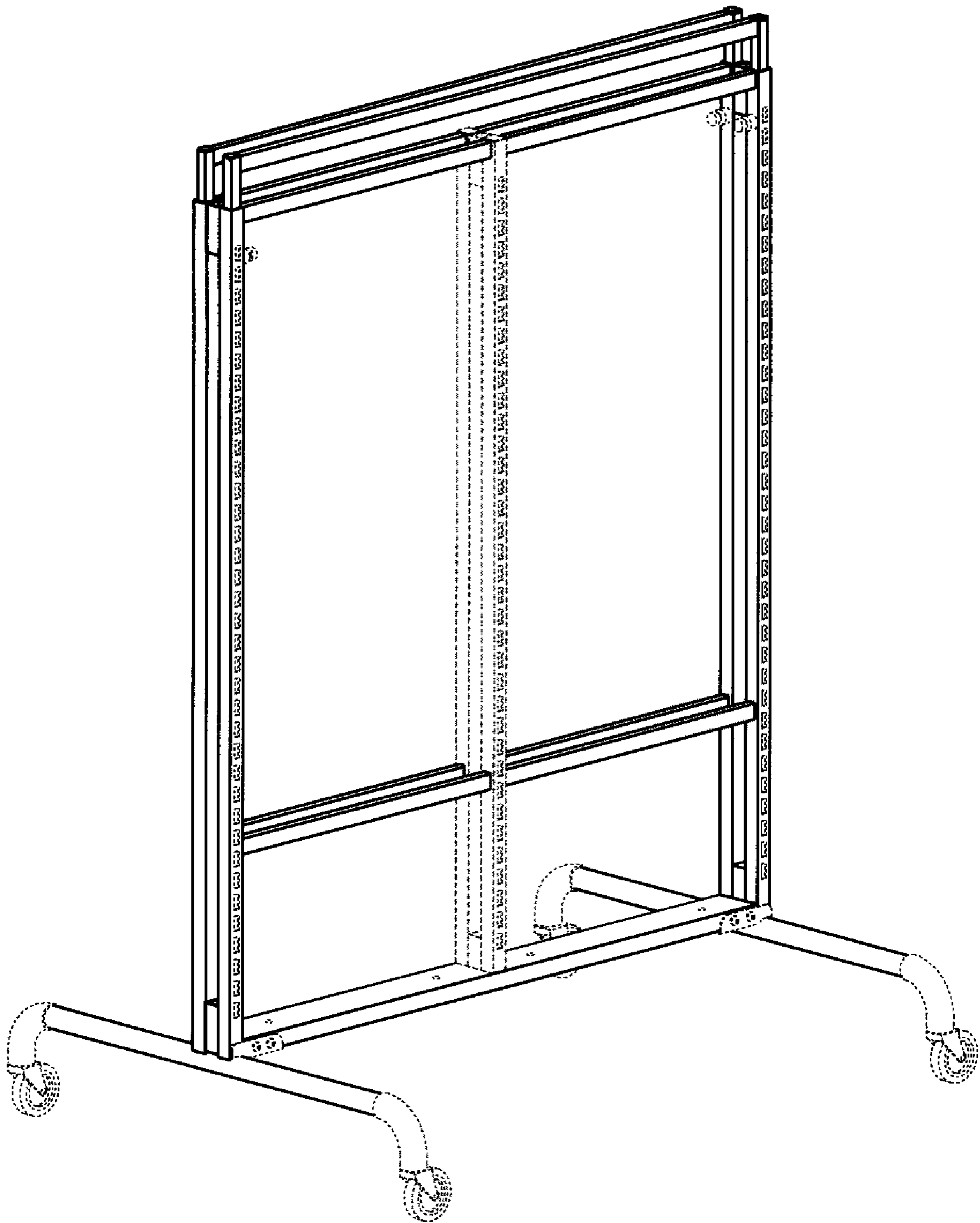


Fig. 9

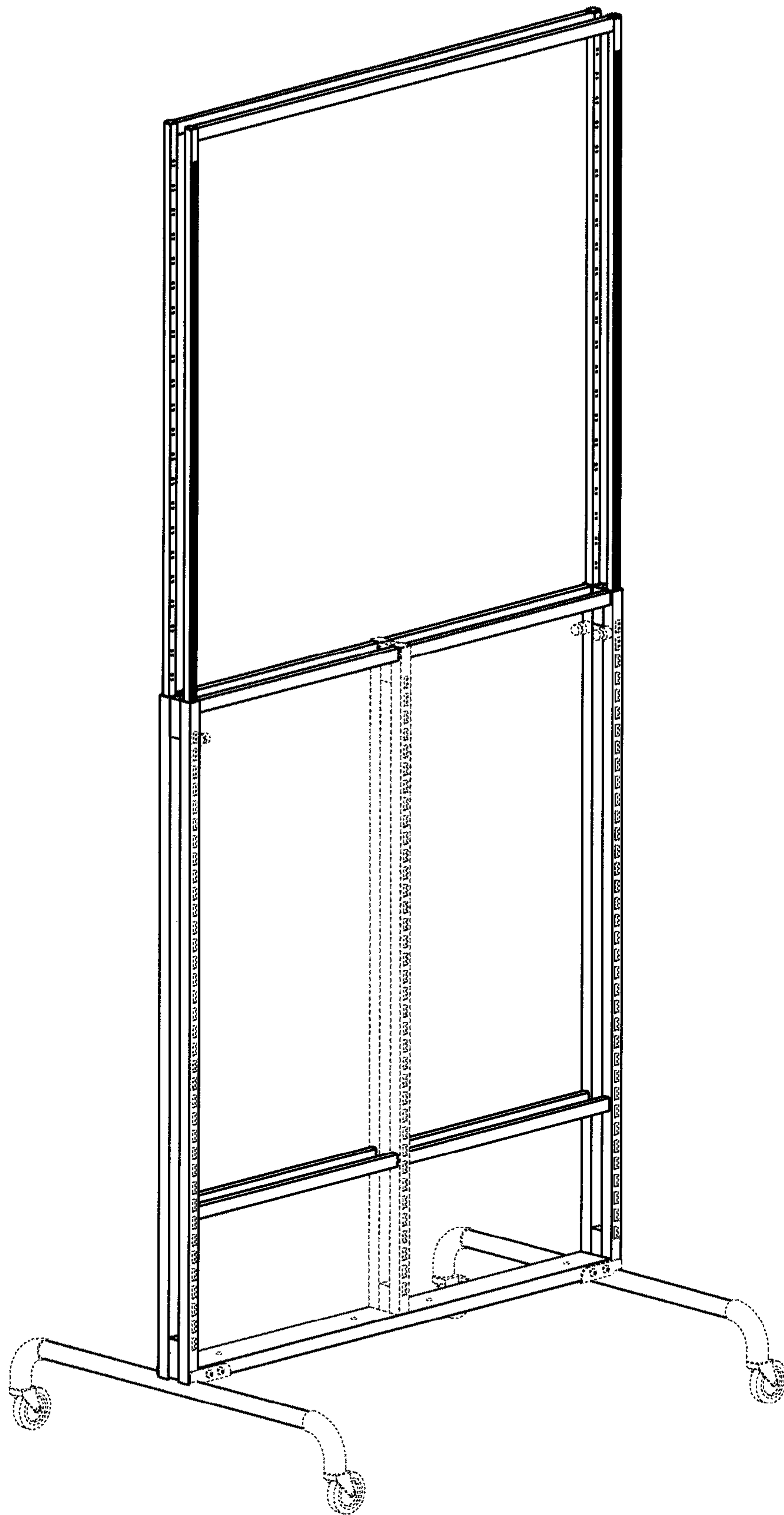


Fig. 10

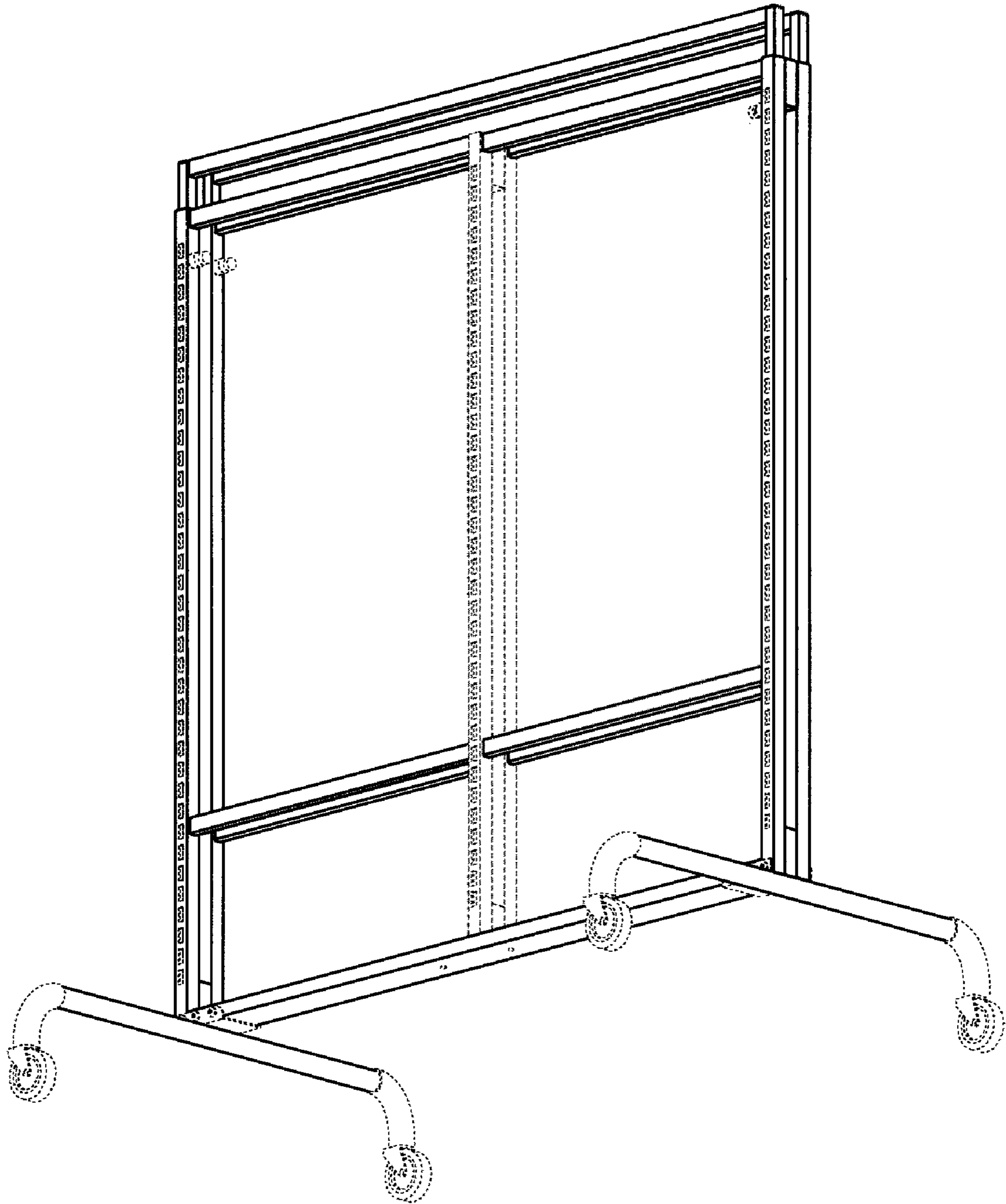


Fig. 11

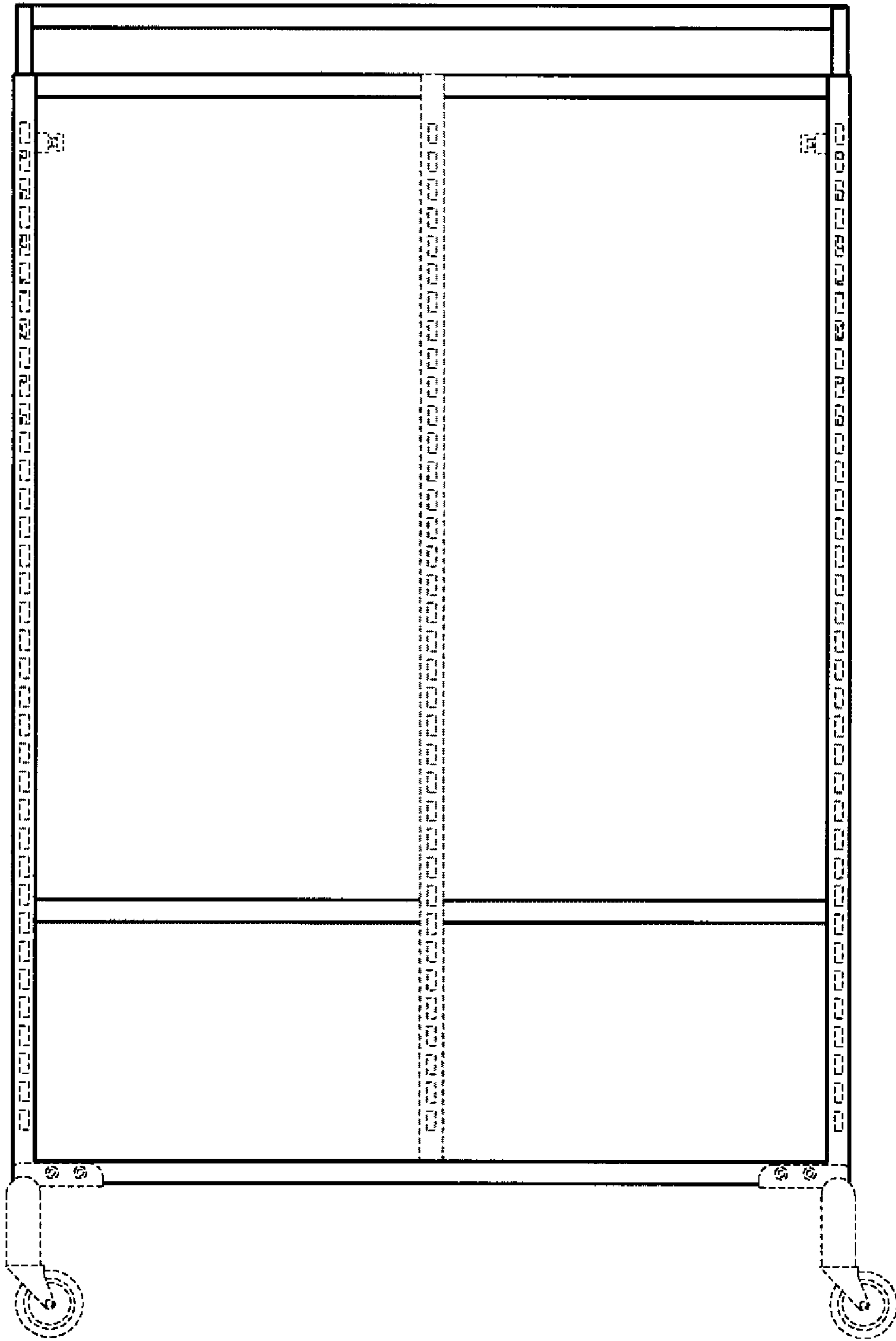


Fig. 12

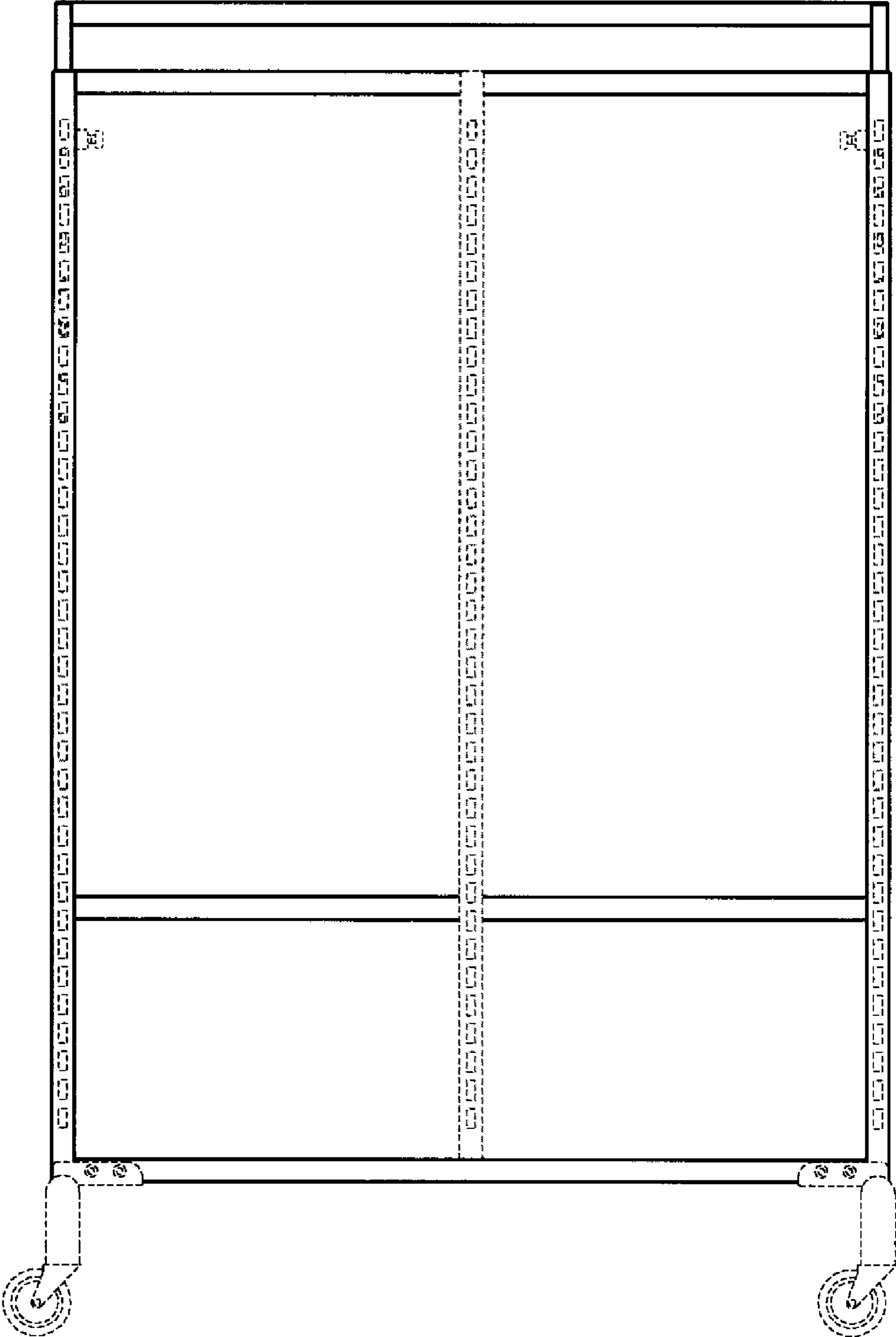


Fig. 13

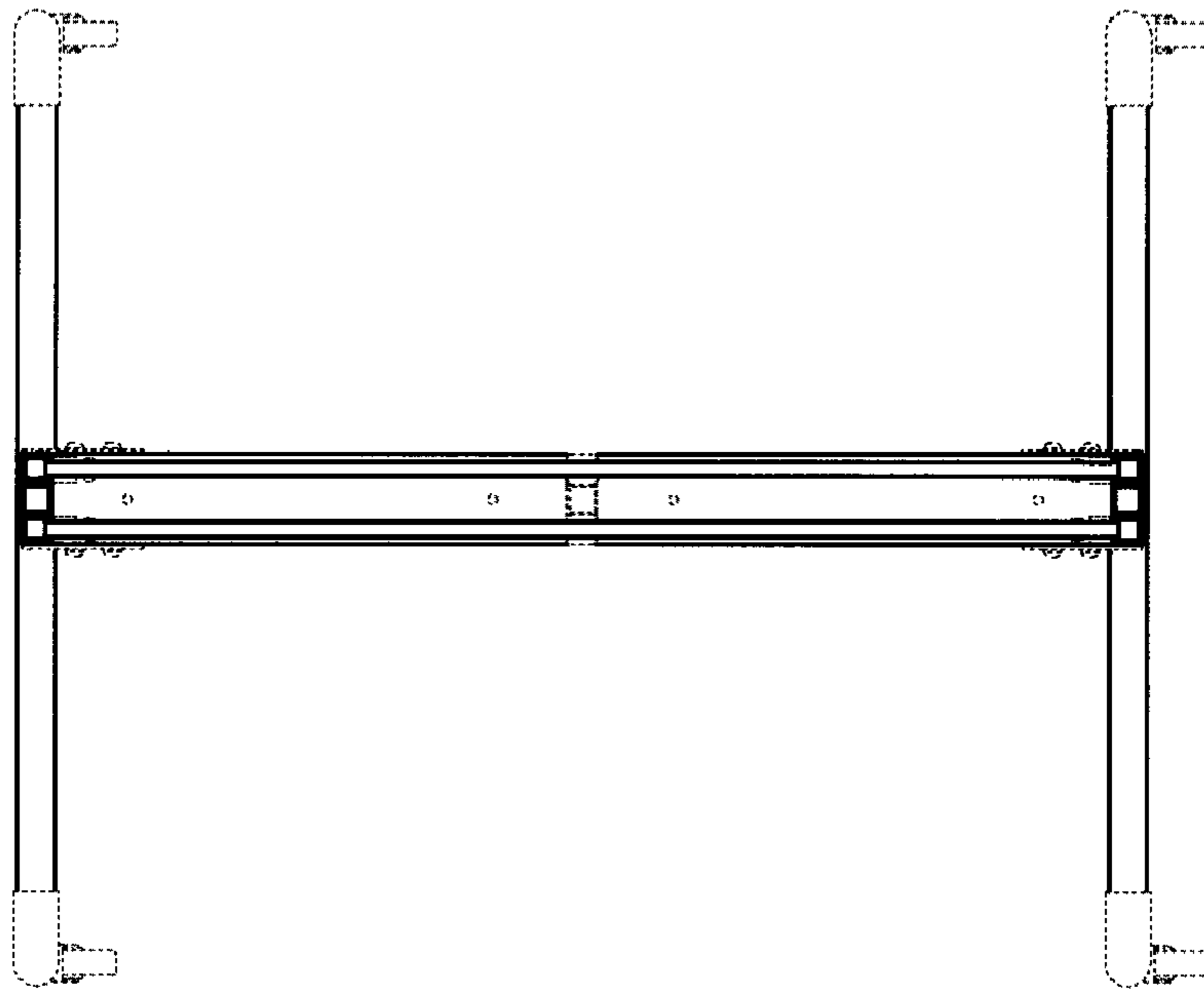


Fig. 14

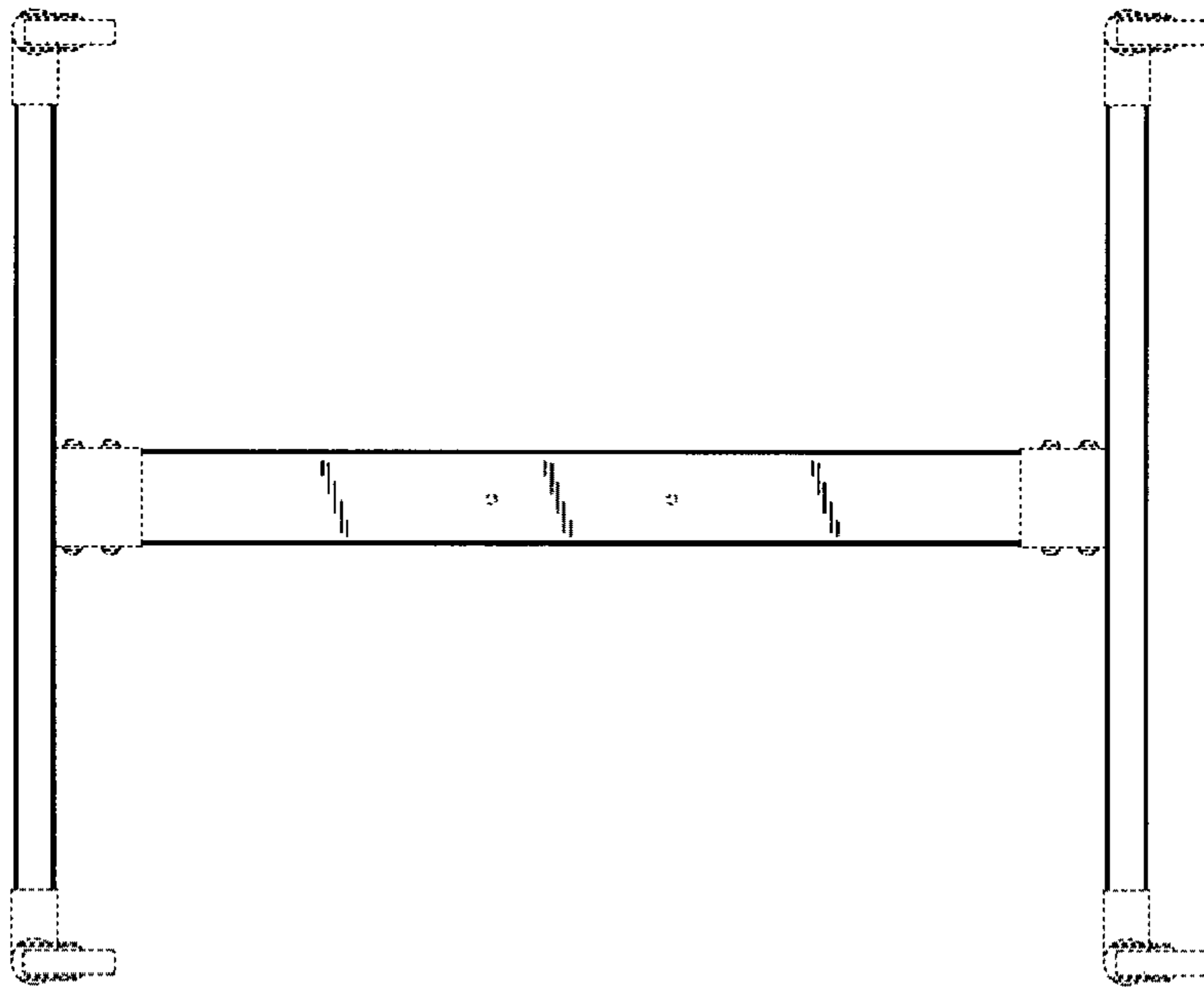


Fig. 15

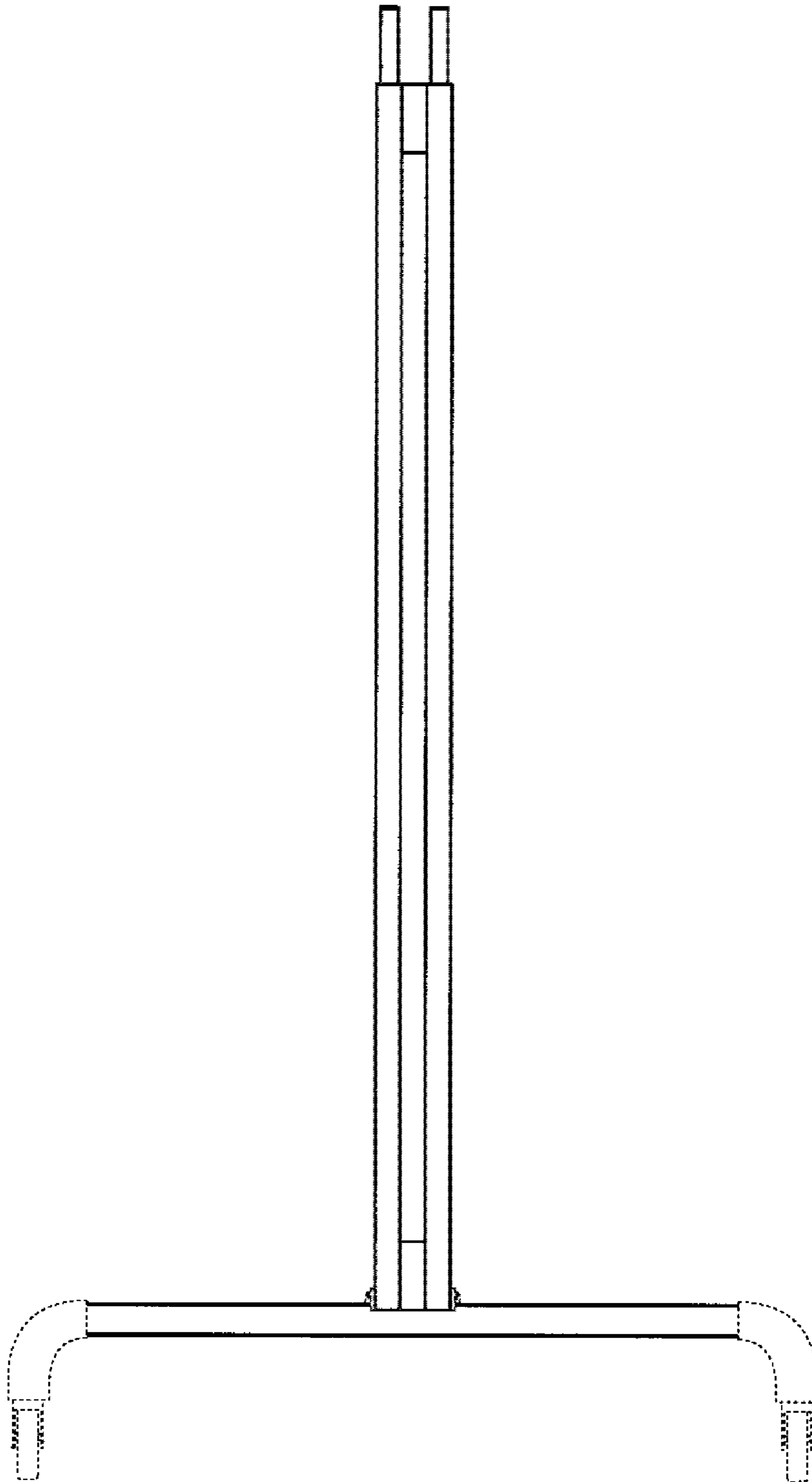


Fig. 16

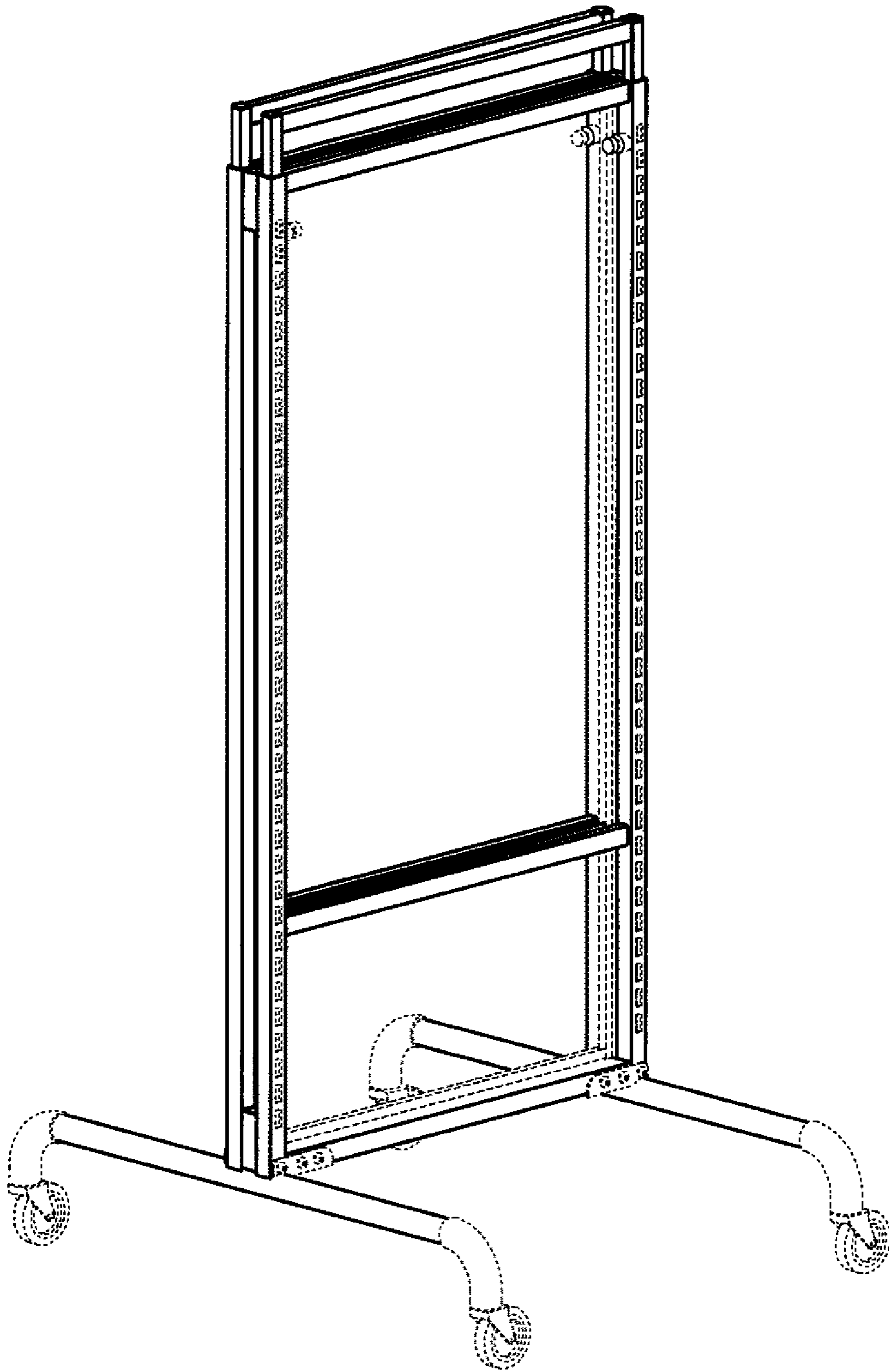


Fig. 17

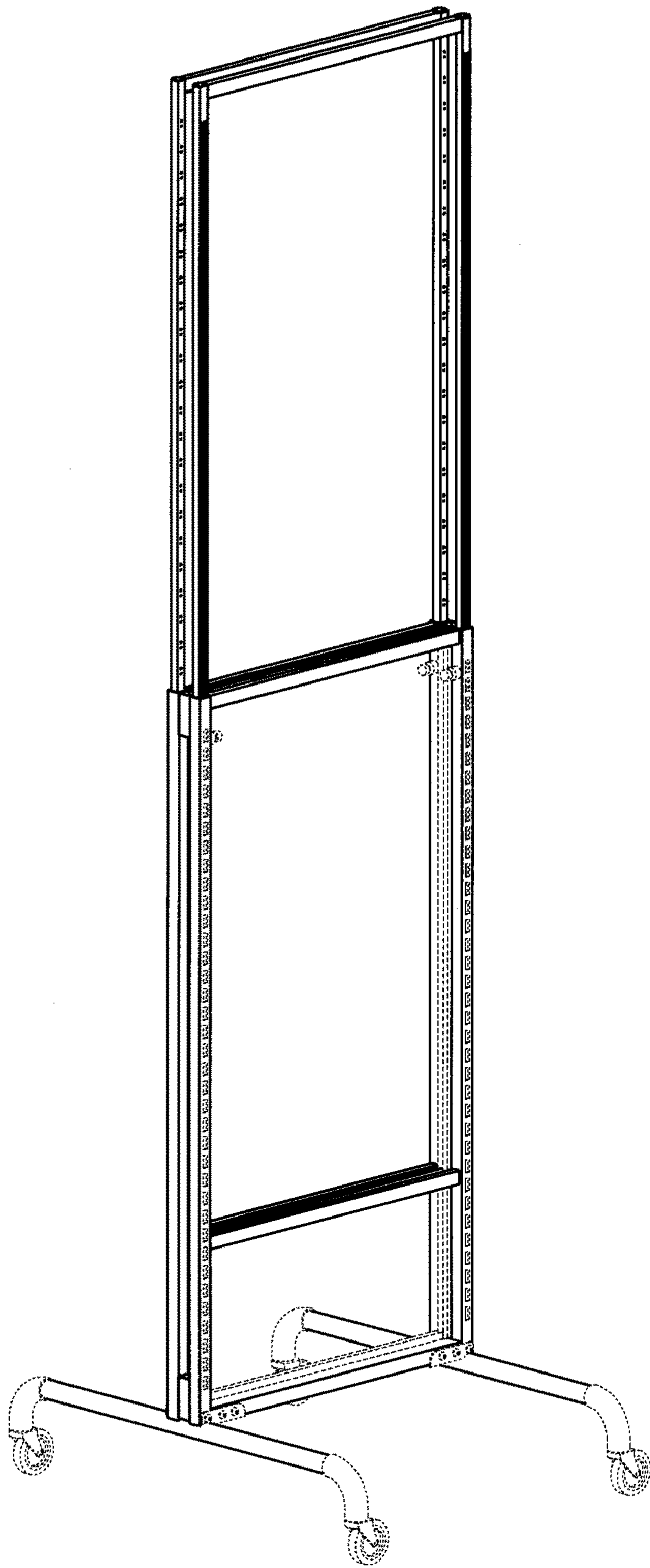


Fig. 18

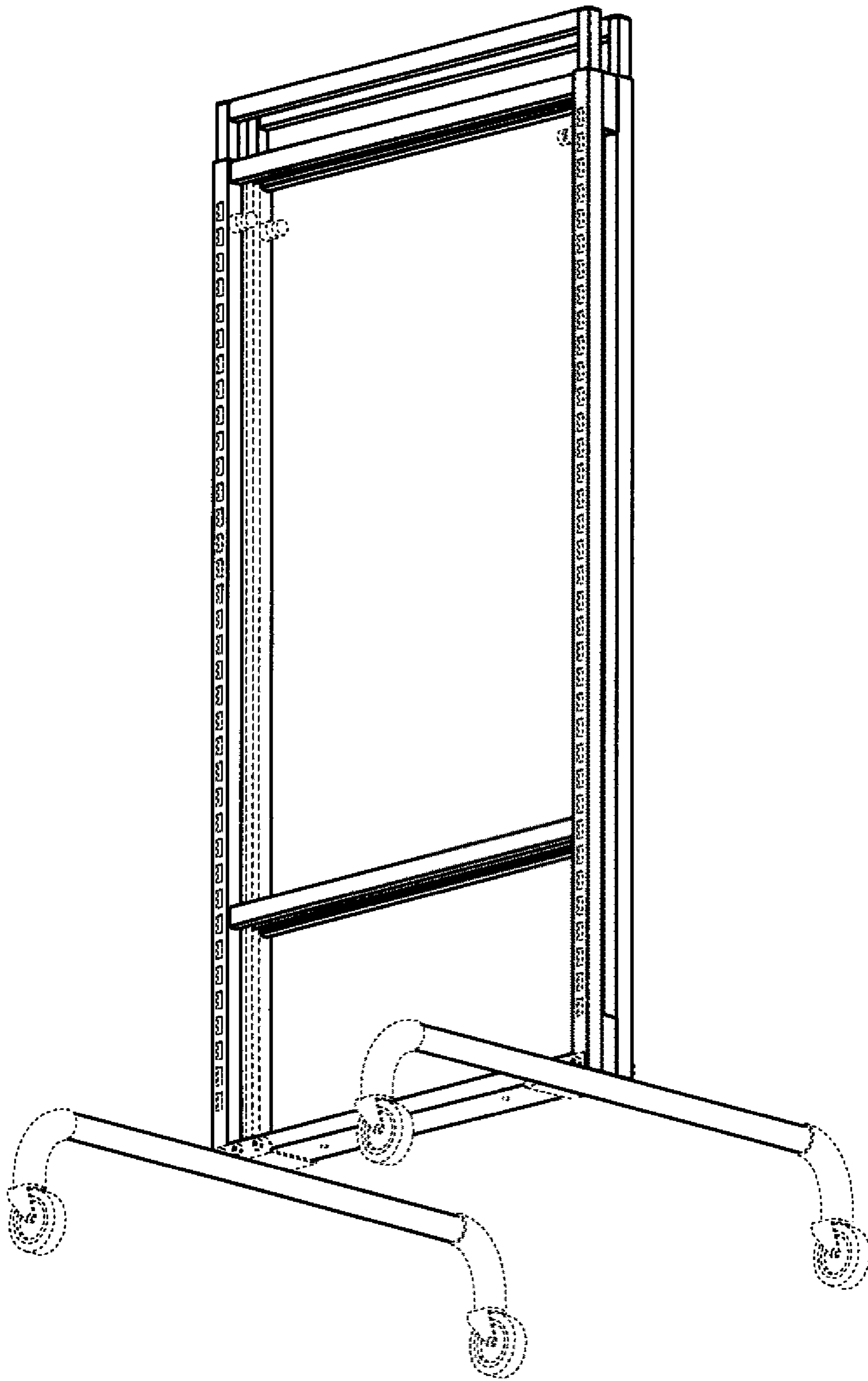


Fig. 19

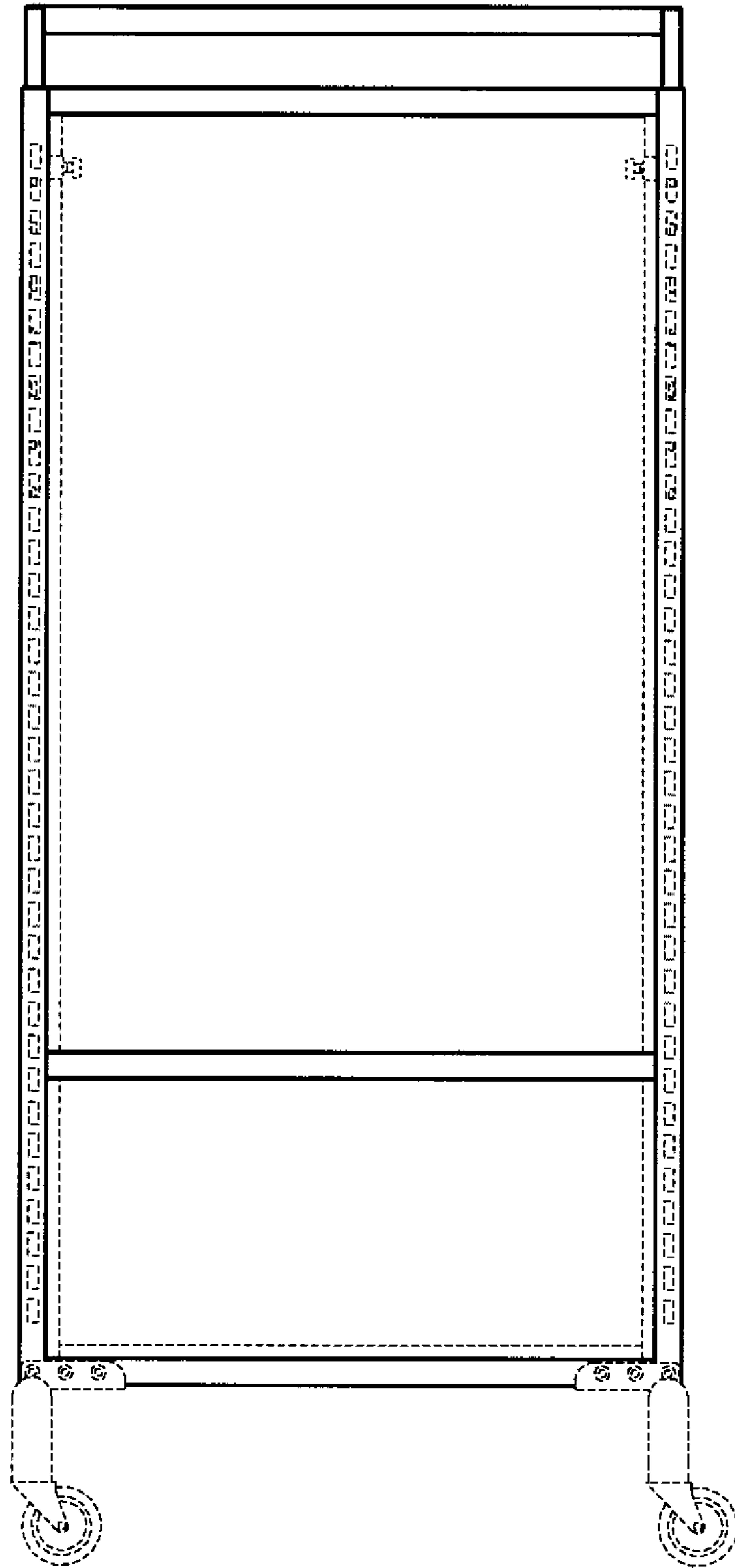


Fig. 20

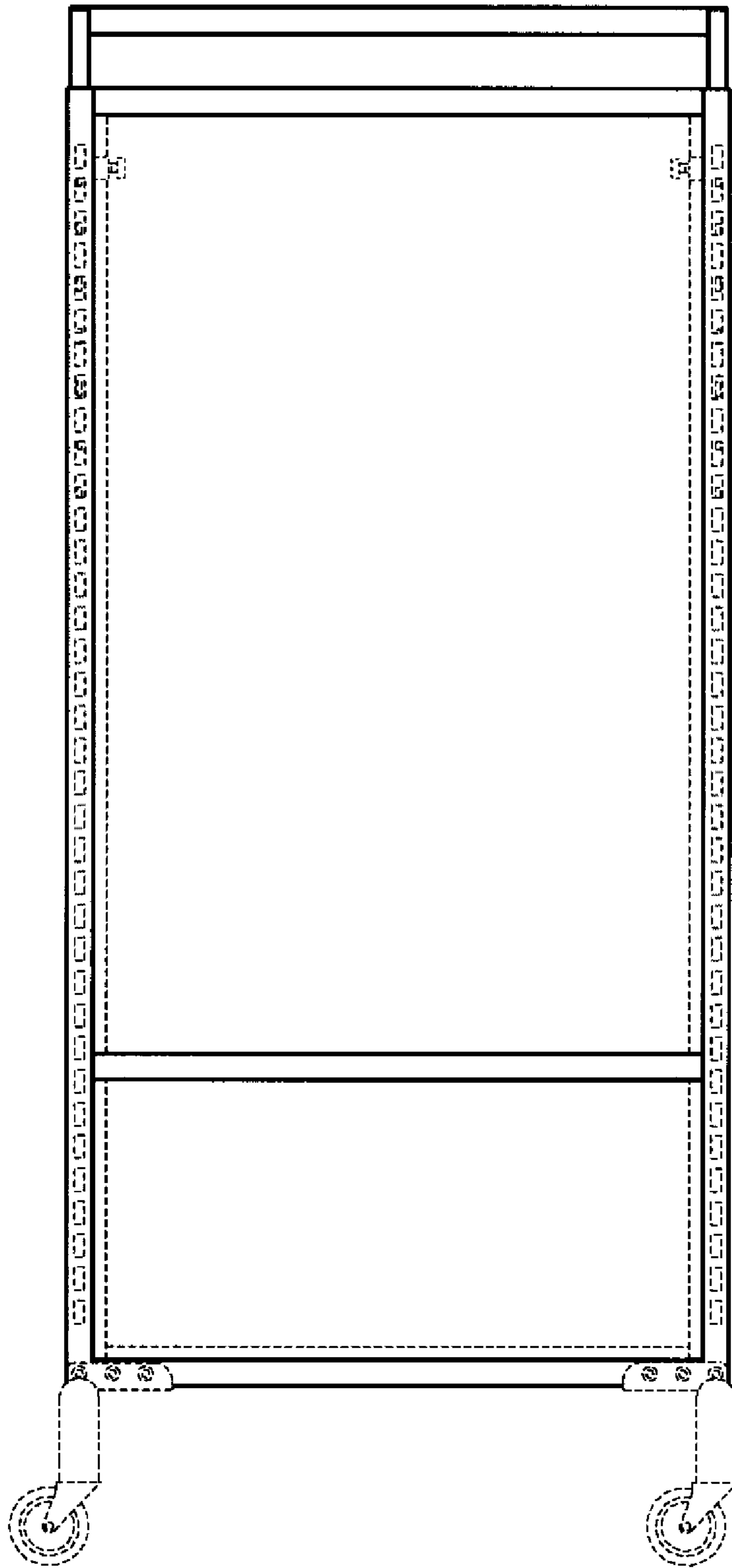


Fig. 21

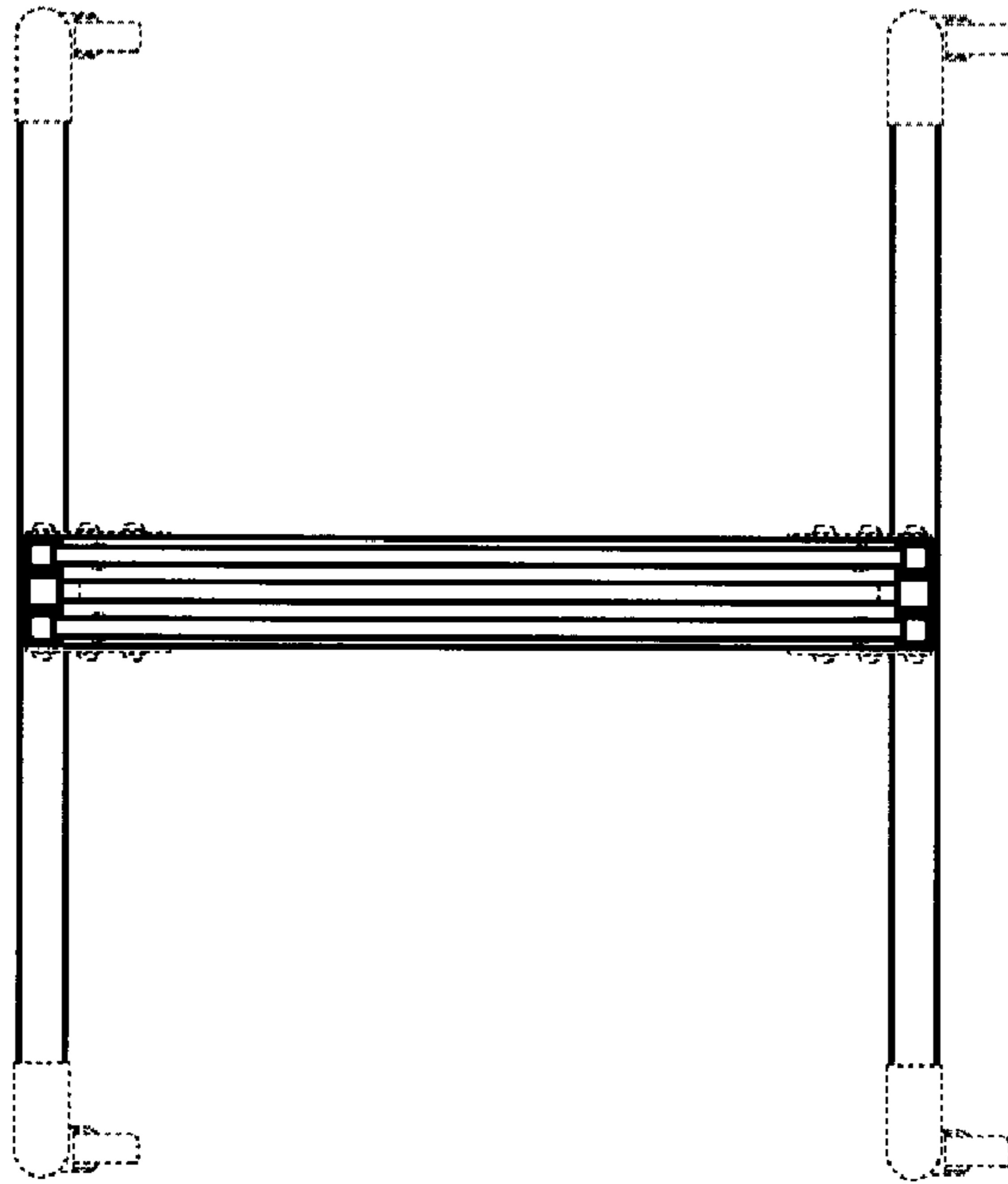


Fig. 22

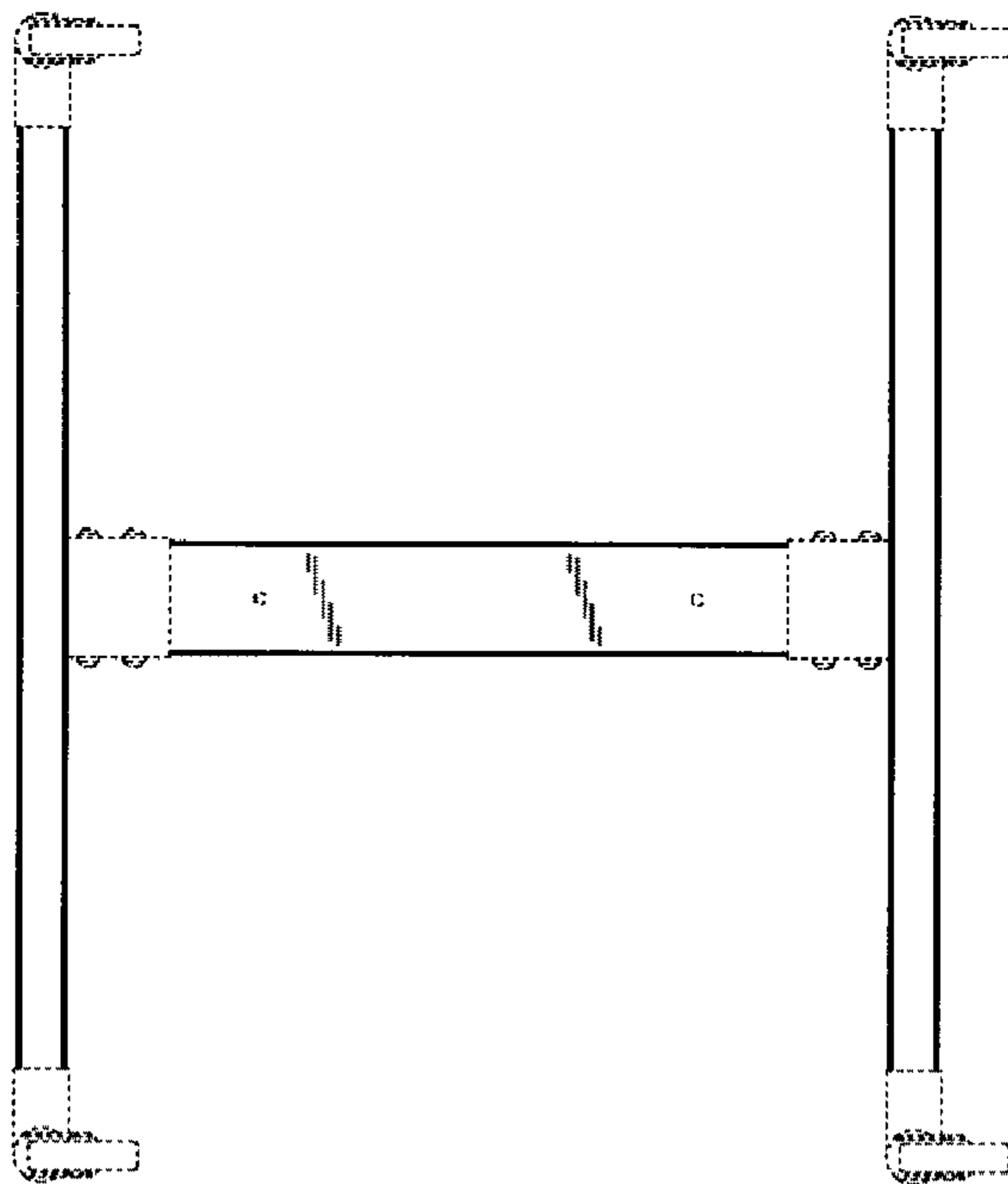


Fig. 23

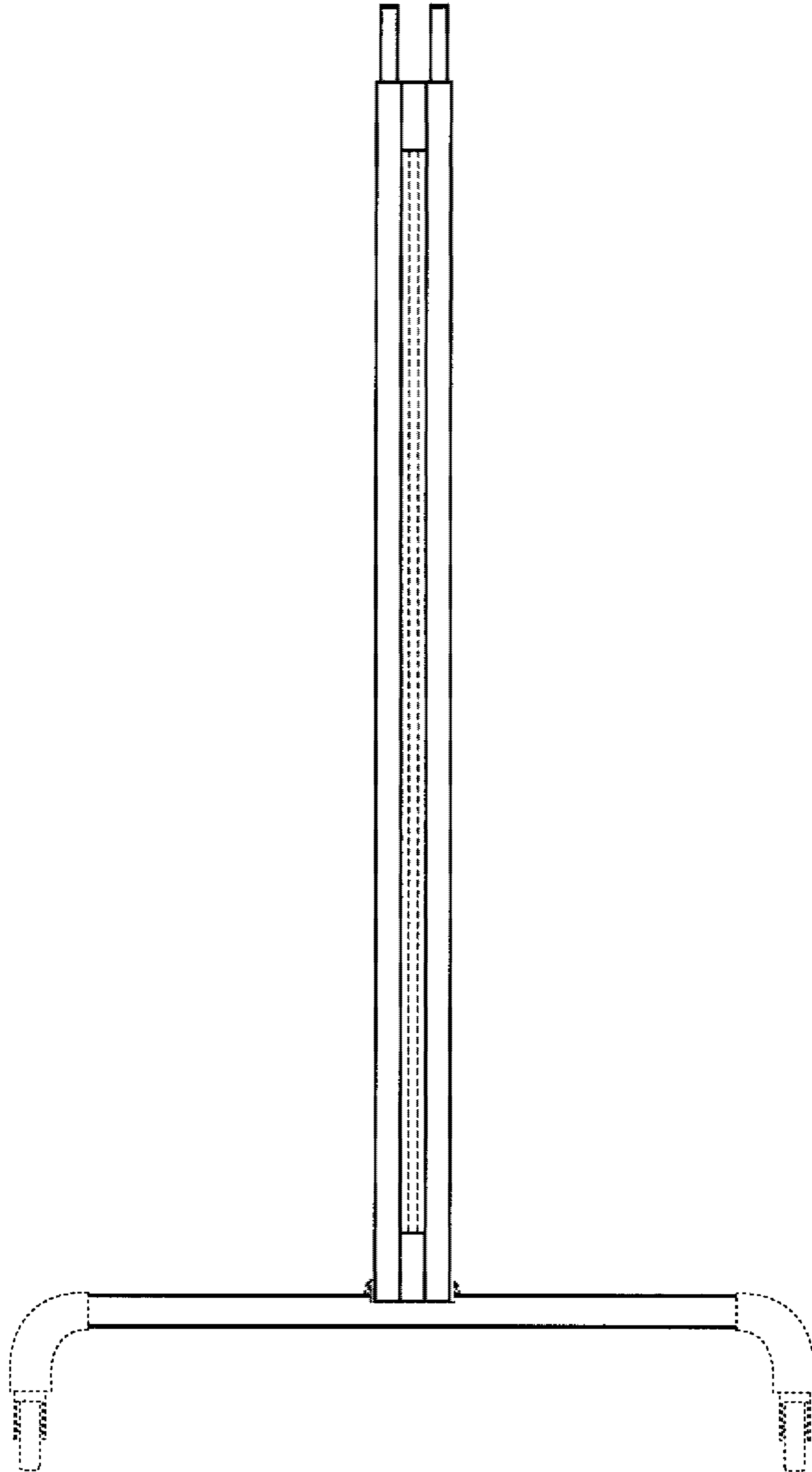


Fig. 24