



US00D602708S

(12) **United States Design Patent**  
**Coleman et al.**

(10) **Patent No.:** **US D602,708 S**  
(45) **Date of Patent:** **\*\* Oct. 27, 2009**

(54) **INFLATABLE TWO CHAMBER BED WITH HEADBOARD**

D481,438 S 10/2003 Peterson  
D482,096 S 11/2003 Peterson  
D483,088 S 12/2003 Zheng  
D489,113 S 4/2004 Peterson

(75) Inventors: **Brian Coleman**, Hawthorn Woods, IL (US); **Mike Joss**, Chicago, IL (US); **Wen Ta Sen**, Taipei (TW); **Corey A. Lewison**, Buffalo Grove, IL (US)

(Continued)

(73) Assignee: **Aero Products International, Inc.**, Schaumburg, IL (US)

(\*\*) Term: **14 Years**

(21) Appl. No.: **29/322,793**

(22) Filed: **Aug. 12, 2008**

(51) **LOC (9) Cl.** ..... **06-02**

(52) **U.S. Cl.** ..... **D6/393**

(58) **Field of Classification Search** ..... D6/382-384,  
D6/388, 392-395, 505-508, 604; 5/53.1,  
5/907, 279.1, 280, 281, 2.1, 706, 710, 711,  
5/733

See application file for complete search history.

(56) **References Cited**

**U.S. PATENT DOCUMENTS**

712,720 A	11/1902	Richardson	
D87,579 S	8/1932	Hoey	
D96,379 S *	7/1935	Freedman	D6/361
2,661,486 A *	12/1953	Roher	5/248
3,740,095 A	6/1973	Nell	
4,099,773 A	7/1978	Chang	
5,075,910 A	12/1991	Morten	
D371,252 S	7/1996	Chaput	
5,623,736 A	4/1997	Soltani	
D412,795 S	8/1999	Bargagli-Stoffi	
5,947,563 A	9/1999	Klimenko	
5,951,111 A	9/1999	Klimenko	
D416,063 S	11/1999	Scheurer	
6,152,530 A	11/2000	Hsu	
6,224,444 B1	5/2001	Klimenko	
D455,909 S	4/2002	Wistehuff, Sr.	
D465,540 S	11/2002	Peterson	
D466,176 S	11/2002	Peterson	

**OTHER PUBLICATIONS**

Transaction History from Patent Application Information Retrieval for Co-Pending U.S. Appl. No. 12/029,966.

Transaction History from Patent Application Information Retrieval for Co-Pending U.S. Appl. No. 29/305,774.

*Primary Examiner*—Janice E Seeger

(74) *Attorney, Agent, or Firm*—Brinks Hofer Gilson & Lione

(57) **CLAIM**

We claim the ornamental design for an inflatable two chamber bed with headboard, as shown and described.

**DESCRIPTION**

FIG. 1 is perspective view of the inflatable two chamber bed with headboard of the present invention;

FIG. 2 is a top plan view of the inflatable two chamber bed with headboard of the present invention;

FIG. 3 is a bottom plan view of the inflatable two chamber bed with headboard of the present invention;

FIG. 4 is a right side elevation view of the inflatable two chamber bed with headboard of the present invention;

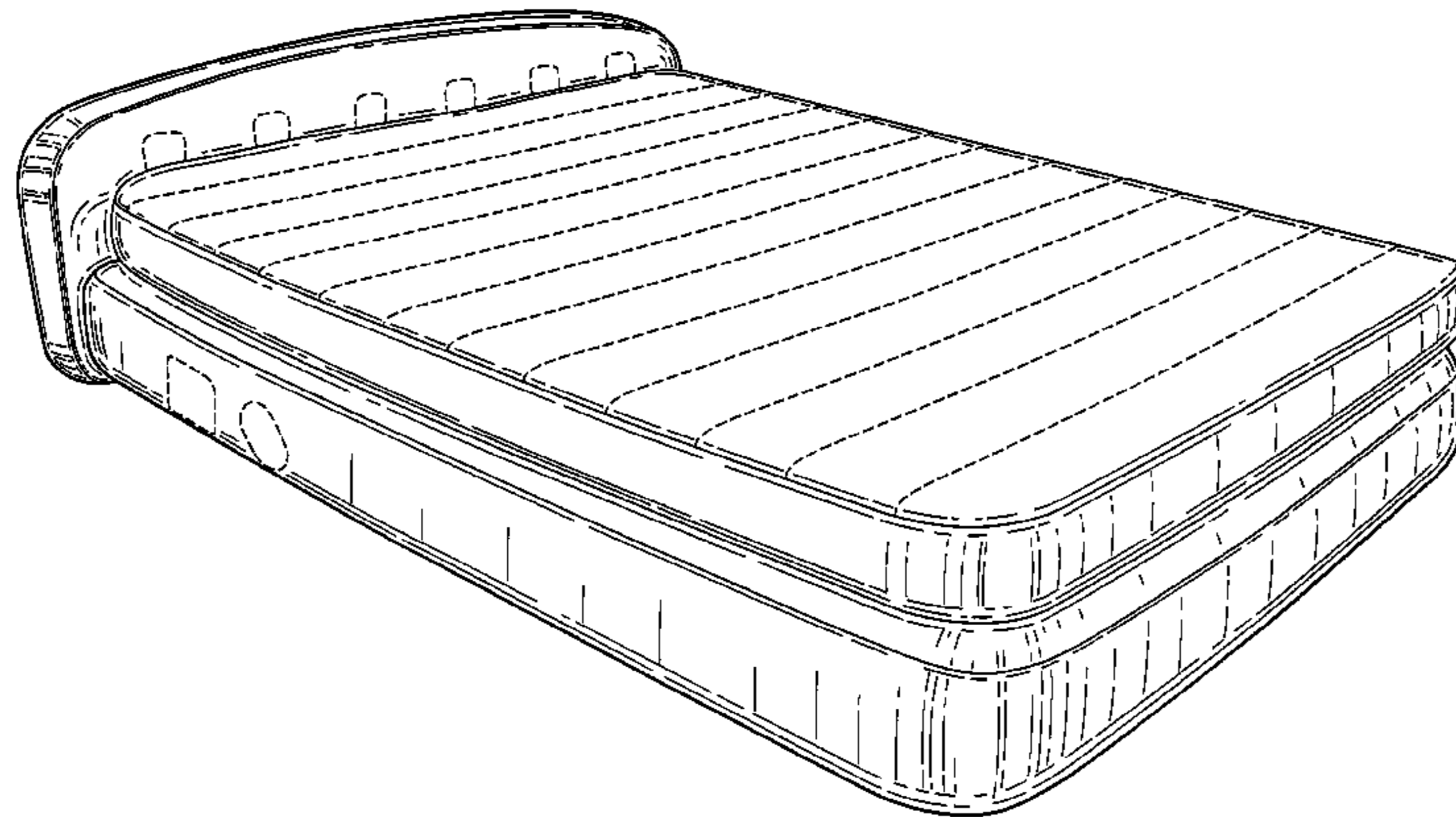
FIG. 5 is a left side elevation view of the inflatable two chamber bed with headboard of the present invention;

FIG. 6 is a front perspective view of the inflatable two chamber bed with headboard of the present invention; and,

FIG. 7 is a rear perspective view of the inflatable two chamber bed with headboard of the present invention.

The ornamental design which is claimed is shown in solid lines in the drawings. Any broken lines in the drawings are for illustrative purposes only and form no part of the claimed design.

**1 Claim, 4 Drawing Sheets**



# US D602,708 S

Page 2

---

## U.S. PATENT DOCUMENTS

D489,114 S	4/2004	Peterson			
D501,112 S	1/2005	Kasatshko			
D505,029 S	5/2005	Risdon et al.			
6,971,936 B2	12/2005	LeGette			
D525,804 S *	8/2006	Schwartz .....	D6/393		
7,178,186 B2	2/2007	Harris			
				D554,223 S	10/2007 Peterson
				D554,224 S	10/2007 Peterson
				D554,727 S	11/2007 Peterson
				D557,966 S	12/2007 Gao
				2006/0010606 A1	1/2006 Harris
				2006/0163935 A1	7/2006 Harris
				2007/0226900 A1	10/2007 Levinsohn

\* cited by examiner

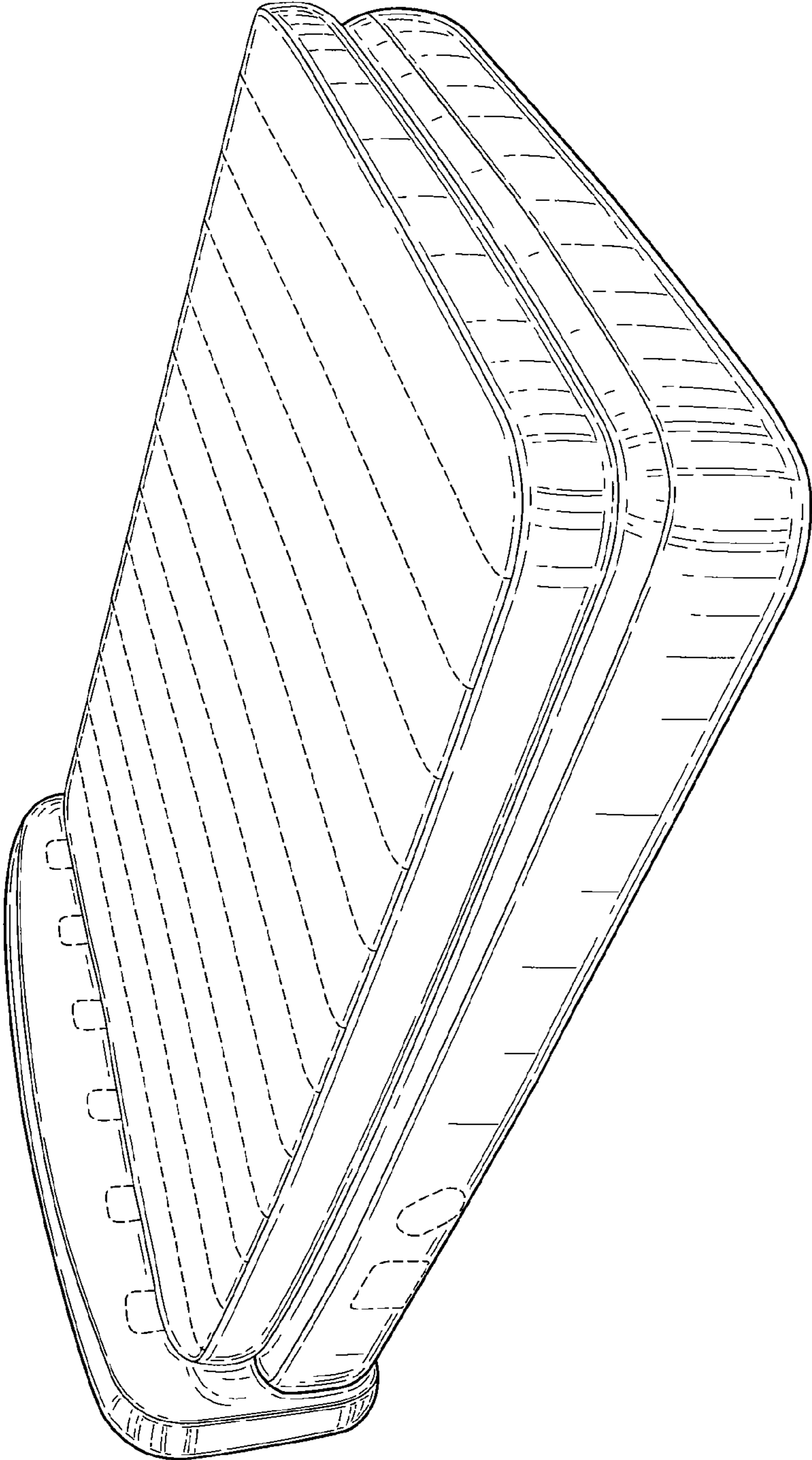


Fig. 1

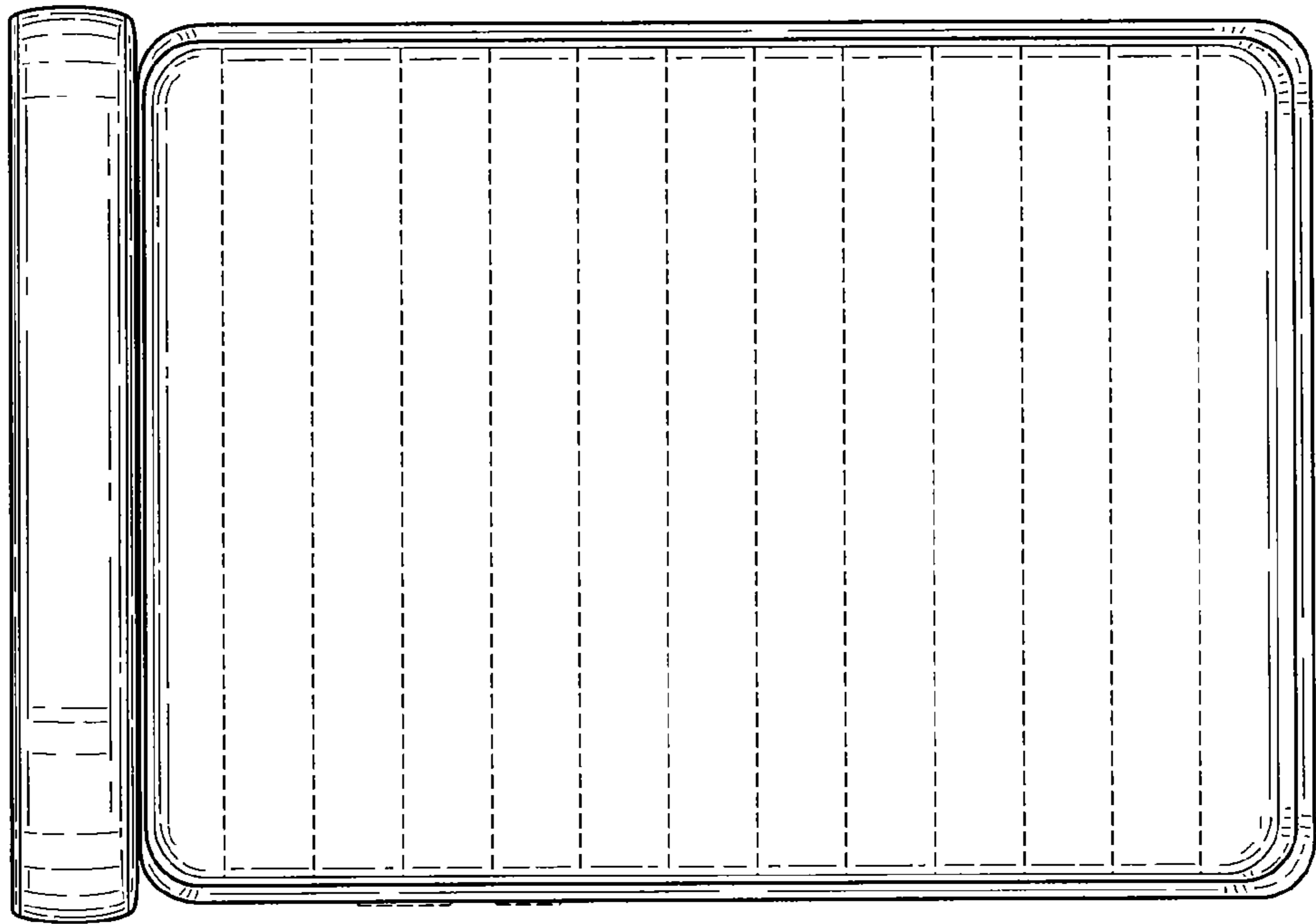


Fig. 2

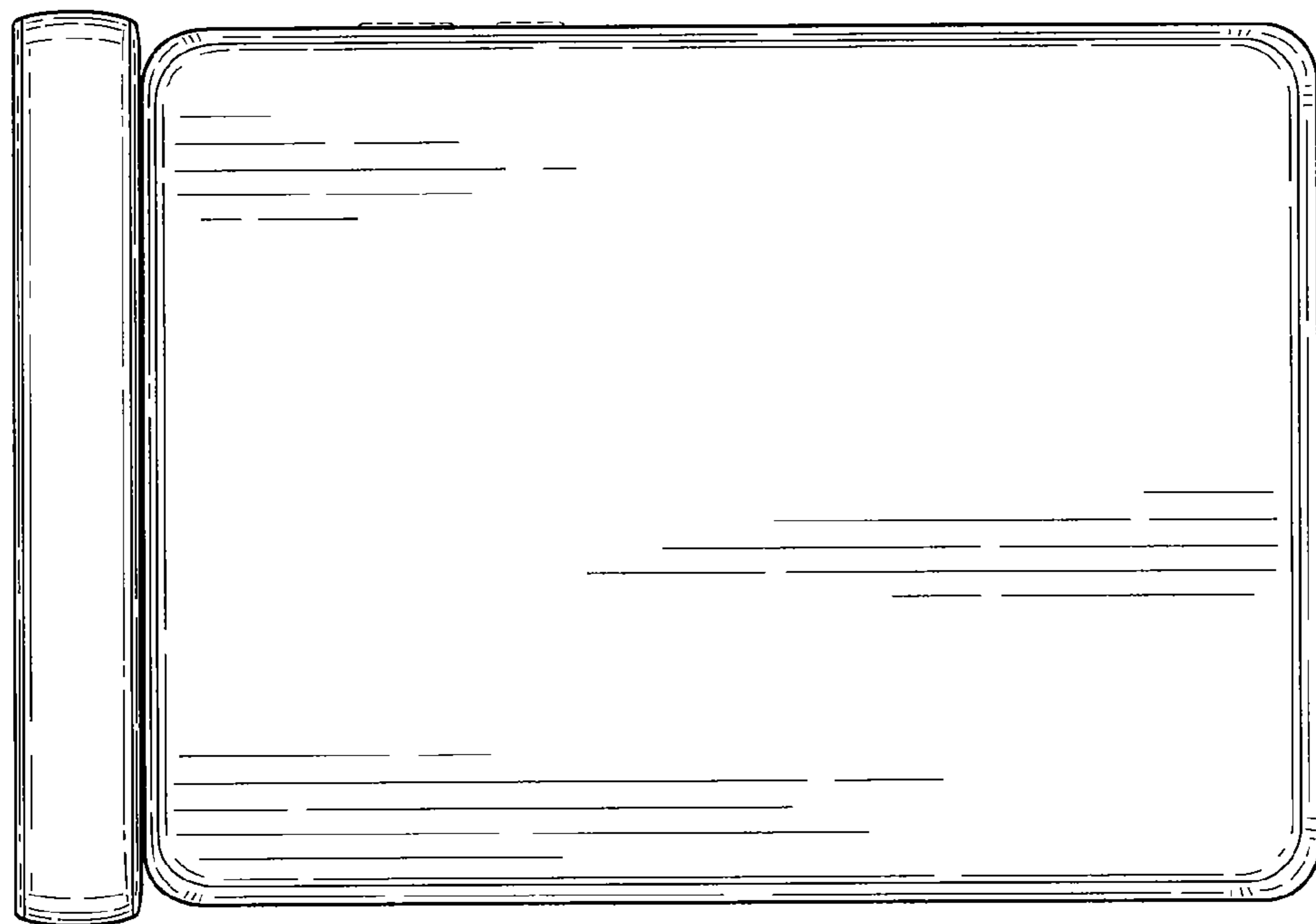


Fig. 3

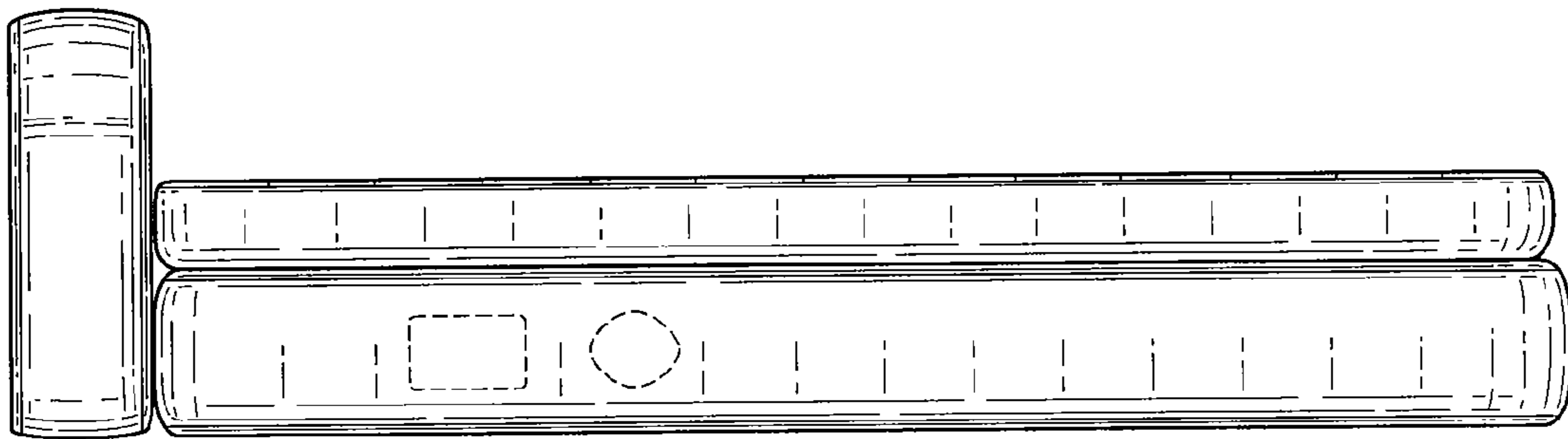


Fig. 4

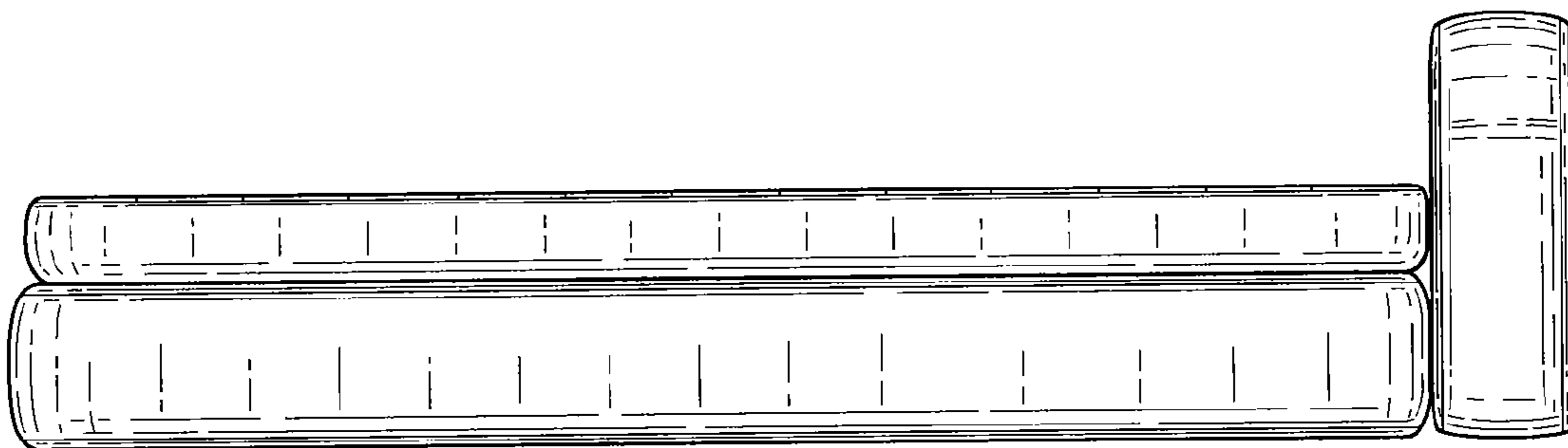


Fig. 5

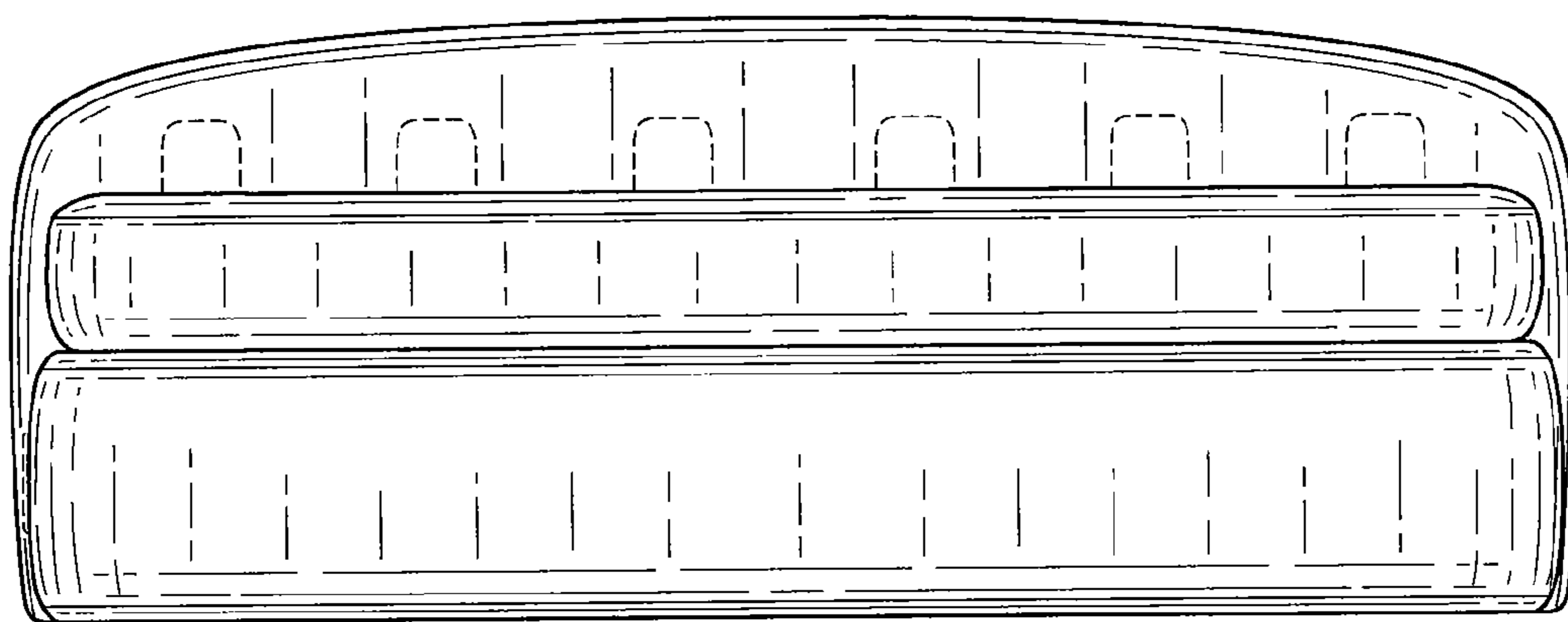


Fig. 6

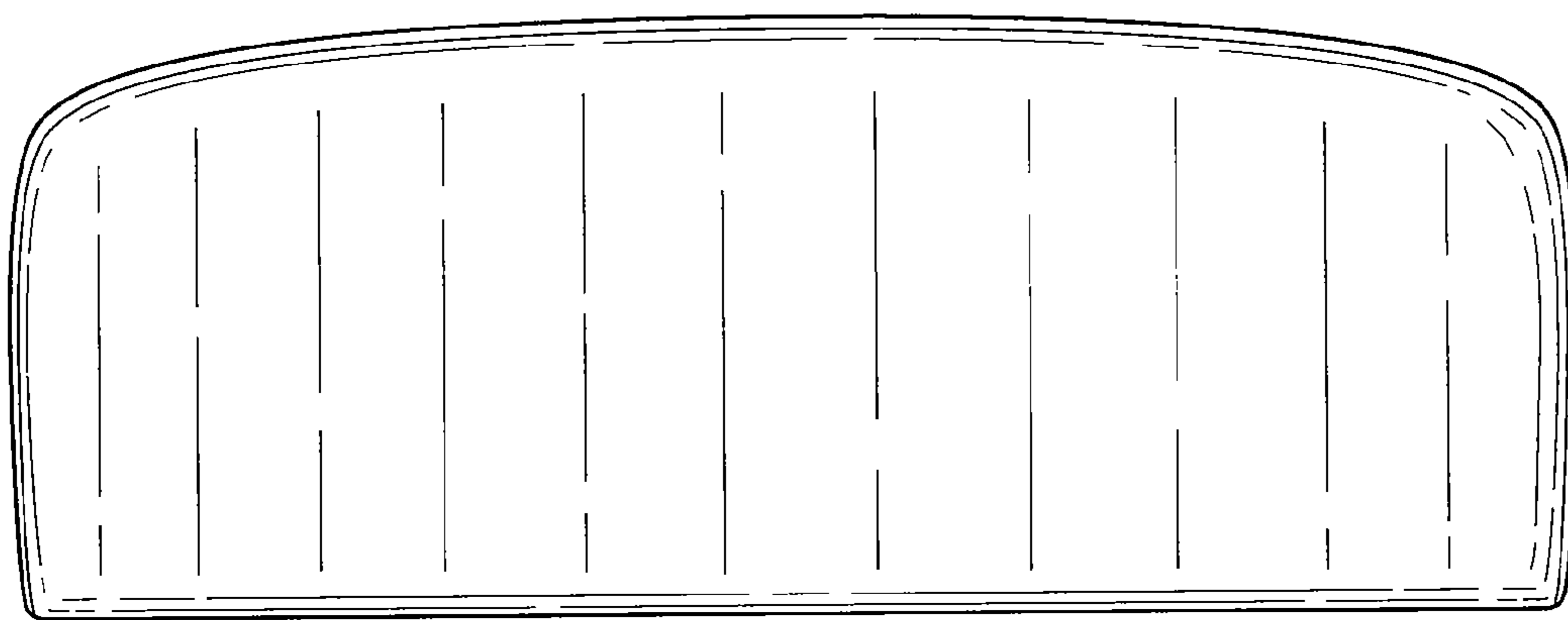


Fig. 7