



US00D602706S

(12) **United States Design Patent**
Cramer et al.

(10) **Patent No.:** **US D602,706 S**
(45) **Date of Patent:** **** Oct. 27, 2009**

(54) **SEATING FURNITURE**

- (75) Inventors: **E. Daniel Cramer**, Golden Valley, MN (US); **Paul A. James**, St. Louis Park, MN (US)
- (73) Assignee: **Krueger International, Inc.**, Green Bay, WI (US)
- (**) Term: **14 Years**
- (21) Appl. No.: **29/339,947**
- (22) Filed: **Jul. 10, 2009**

Related U.S. Application Data

- (62) Division of application No. 29/319,006, filed on Jun. 2, 2008, now Pat. No. Des. 600,466.
 - (51) **LOC (9) Cl.** **06-01**
 - (52) **U.S. Cl.** **D6/381; D6/334**
 - (58) **Field of Classification Search** D6/334, D6/349, 355, 364, 370, 374, 378, 381, 382, D6/383, 491, 495, 500-503; 297/68, 232, 297/233, 353, 445.1, 448.1, 448.2, DIG. 7; 5/12.1, 12.2
- See application file for complete search history.

(56) **References Cited**

U.S. PATENT DOCUMENTS

D199,902 S *	12/1964	Peterson	D6/374
D327,583 S *	7/1992	Dettinger	D6/334
D352,615 S *	11/1994	Hutton	D6/334
D386,909 S *	12/1997	Mourgue	D6/334
D393,956 S *	5/1998	Kane	D6/374
D422,804 S *	4/2000	Tarlow	D6/369
D431,122 S *	9/2000	Koncar	D6/381
D488,310 S *	4/2004	Berry et al.	D6/334
D537,263 S *	2/2007	Berry et al.	D6/381
D560,076 S *	1/2008	Moser	D6/381
D560,919 S *	2/2008	Simons, Jr.	D6/381

* cited by examiner

Primary Examiner—Sandra Snapp
(74) *Attorney, Agent, or Firm*—Andrus, Scales, Starke & Sawall, LLP

(57) **CLAIM**

The ornamental design of seating furniture, as shown and described.

DESCRIPTION

FIG. 1 is an isometric view of an article of seating furniture incorporating our new design;

FIG. 2 is a front elevation view thereof;

FIG. 3 is a top plan view thereof;

FIG. 4 is a right side elevation view thereof, the left side elevation view being a mirror image;

FIG. 5 is a rear elevation view thereof;

FIG. 6 is an isometric view of another embodiment of an end portion of an article of seating furniture incorporating our new design, wherein the portions in phantom illustrate environment and form no part of the claimed design;

FIG. 7 is a front elevation view thereof;

FIG. 8 is a top plan view thereof;

FIG. 9 is a side elevation view thereof;

FIG. 10 is a rear elevation view thereof;

FIG. 11 is an isometric view of another embodiment of an article of seating furniture incorporating our new design;

FIG. 12 is a front elevation view thereof;

FIG. 13 is a top plan view thereof;

FIG. 14 is a right side elevation view thereof, the left side elevation view being a mirror image;

FIG. 15 is a rear elevation view thereof;

FIG. 16 is an isometric view of another embodiment of an end portion of an article of seating furniture incorporating our new design, wherein the portions in phantom illustrate environment and form no part of the claimed design;

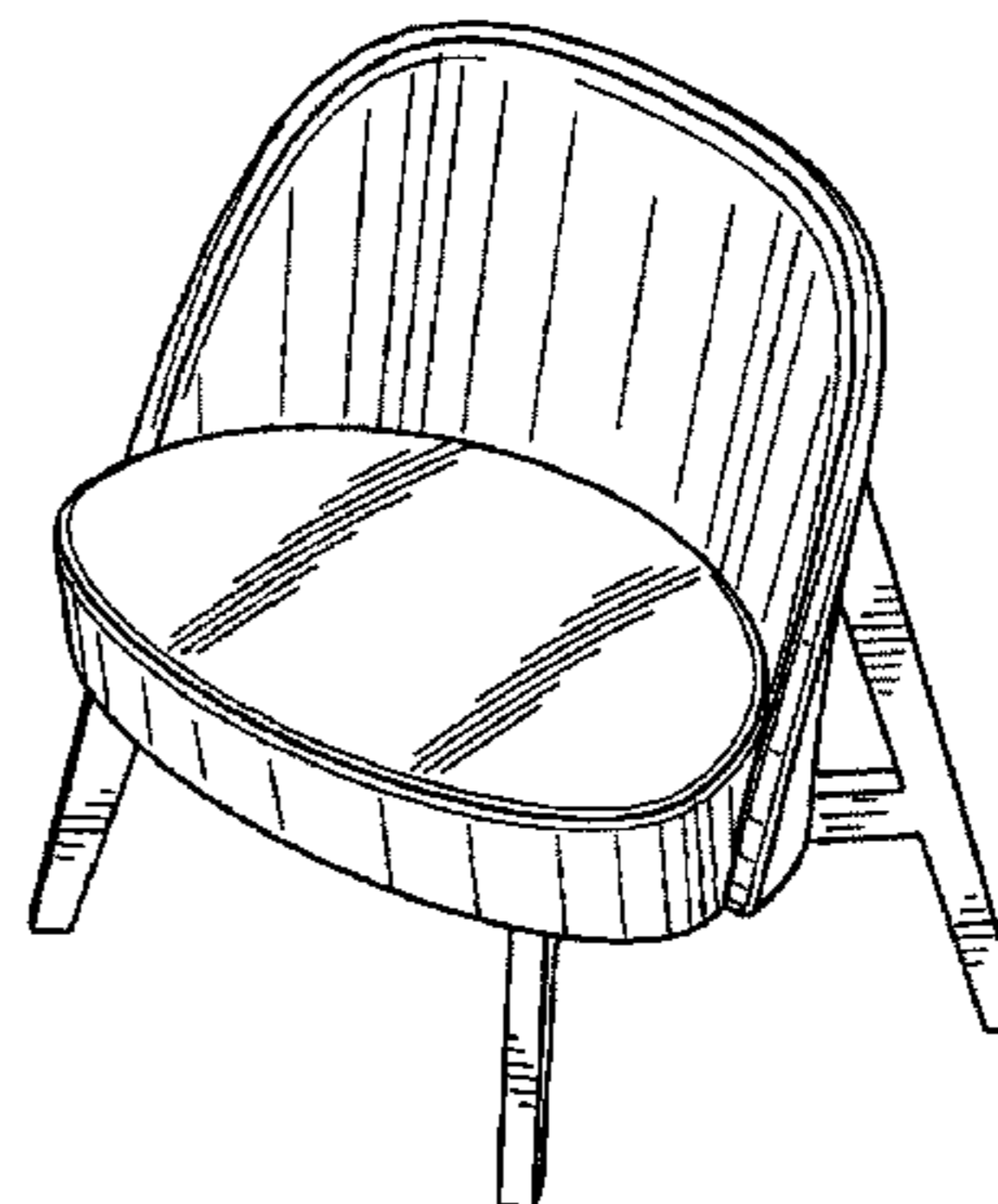
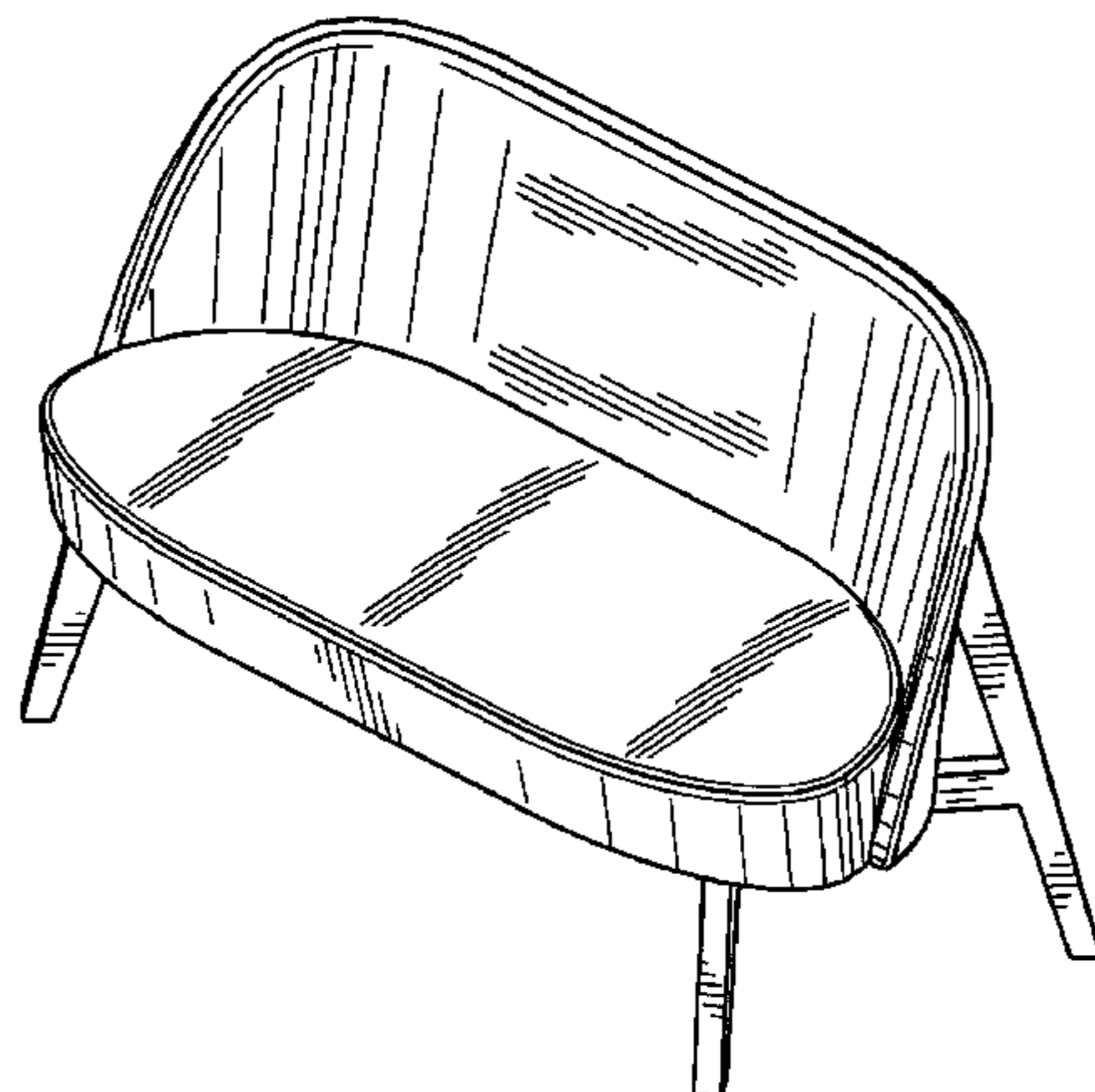
FIG. 17 is a front elevation view thereof;

FIG. 18 is a top plan view thereof;

FIG. 19 is a side elevation view thereof; and,

FIG. 20 is a rear elevation view thereof.

1 Claim, 12 Drawing Sheets



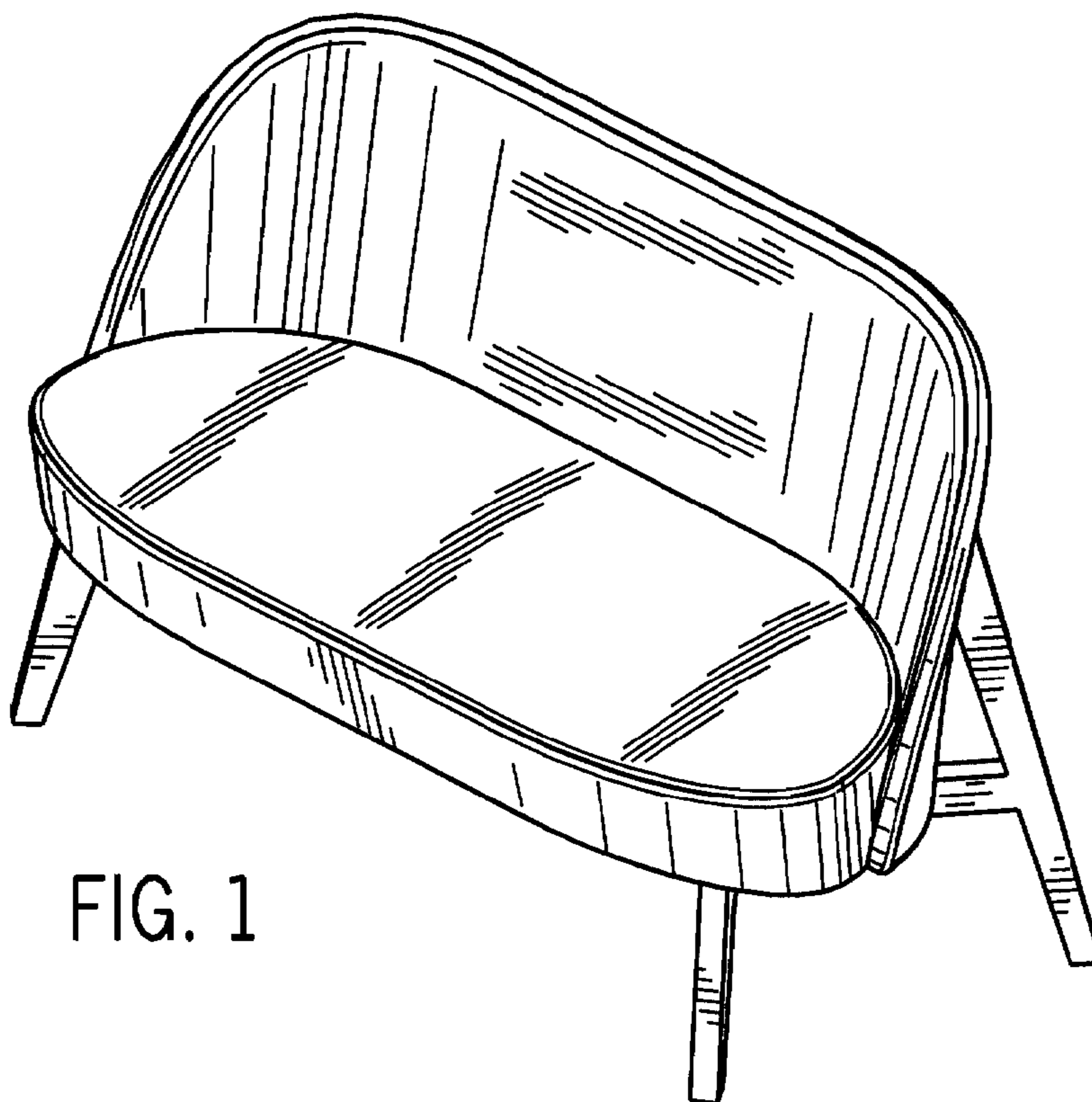


FIG. 1

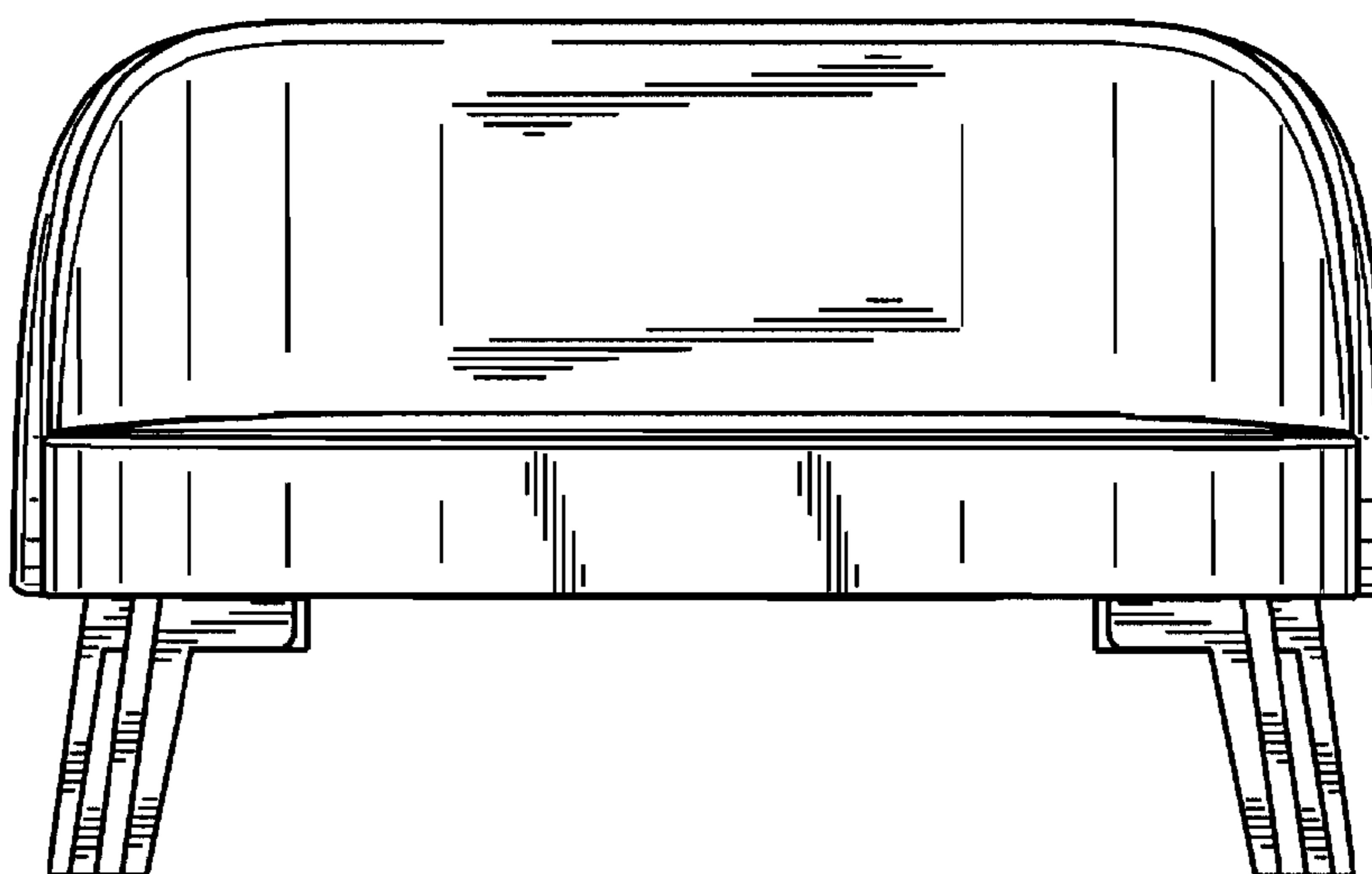


FIG. 2

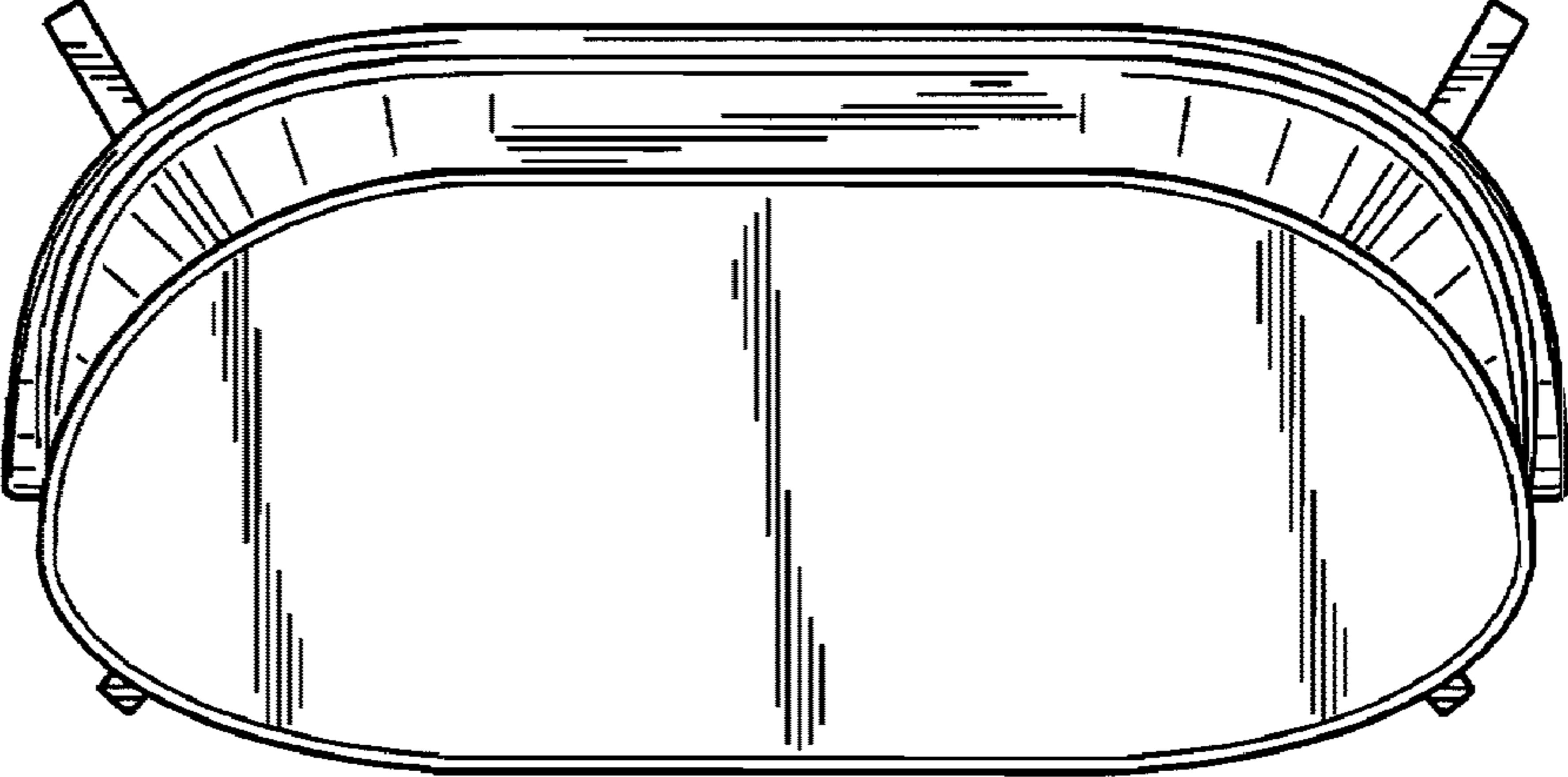


FIG. 3

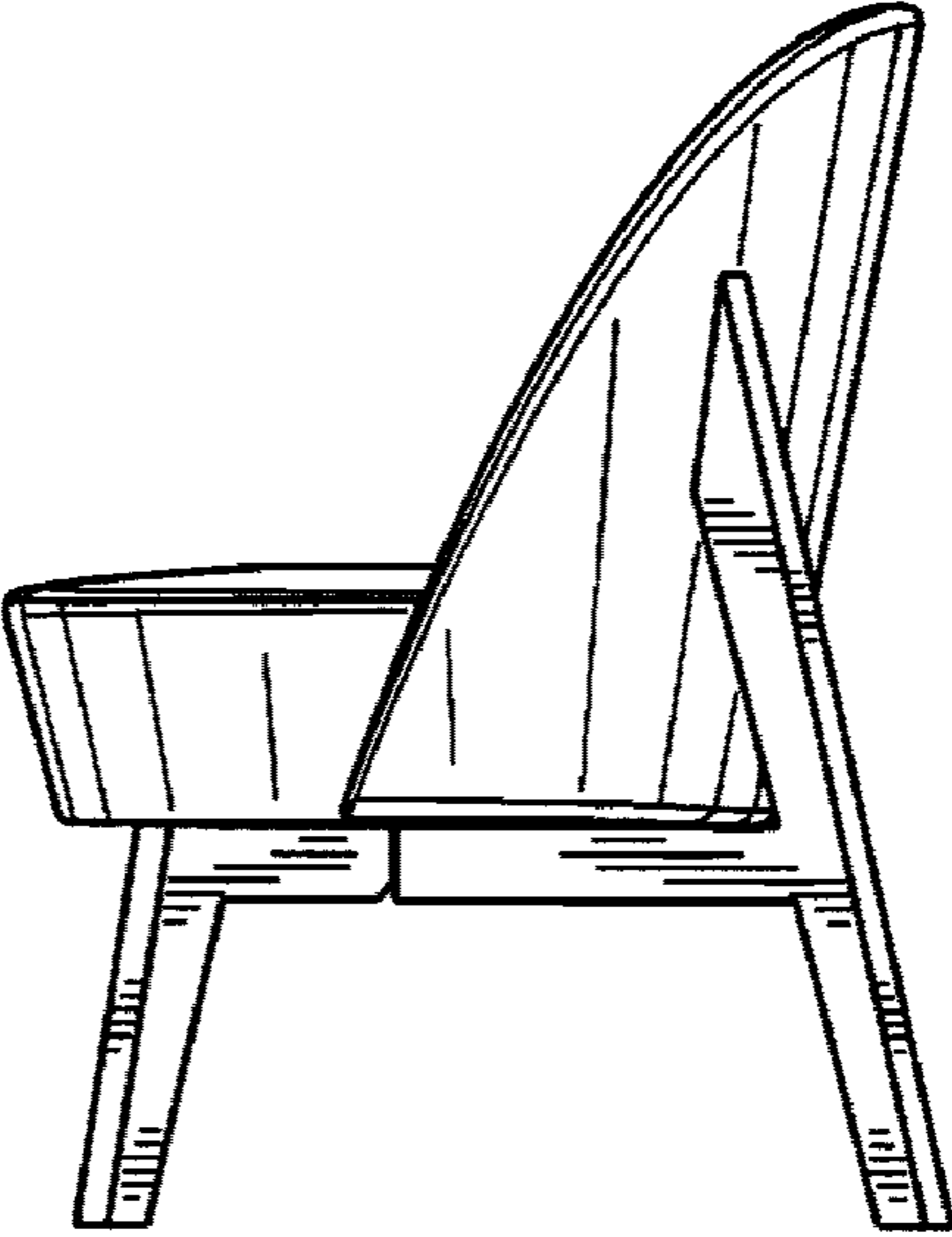


FIG. 4

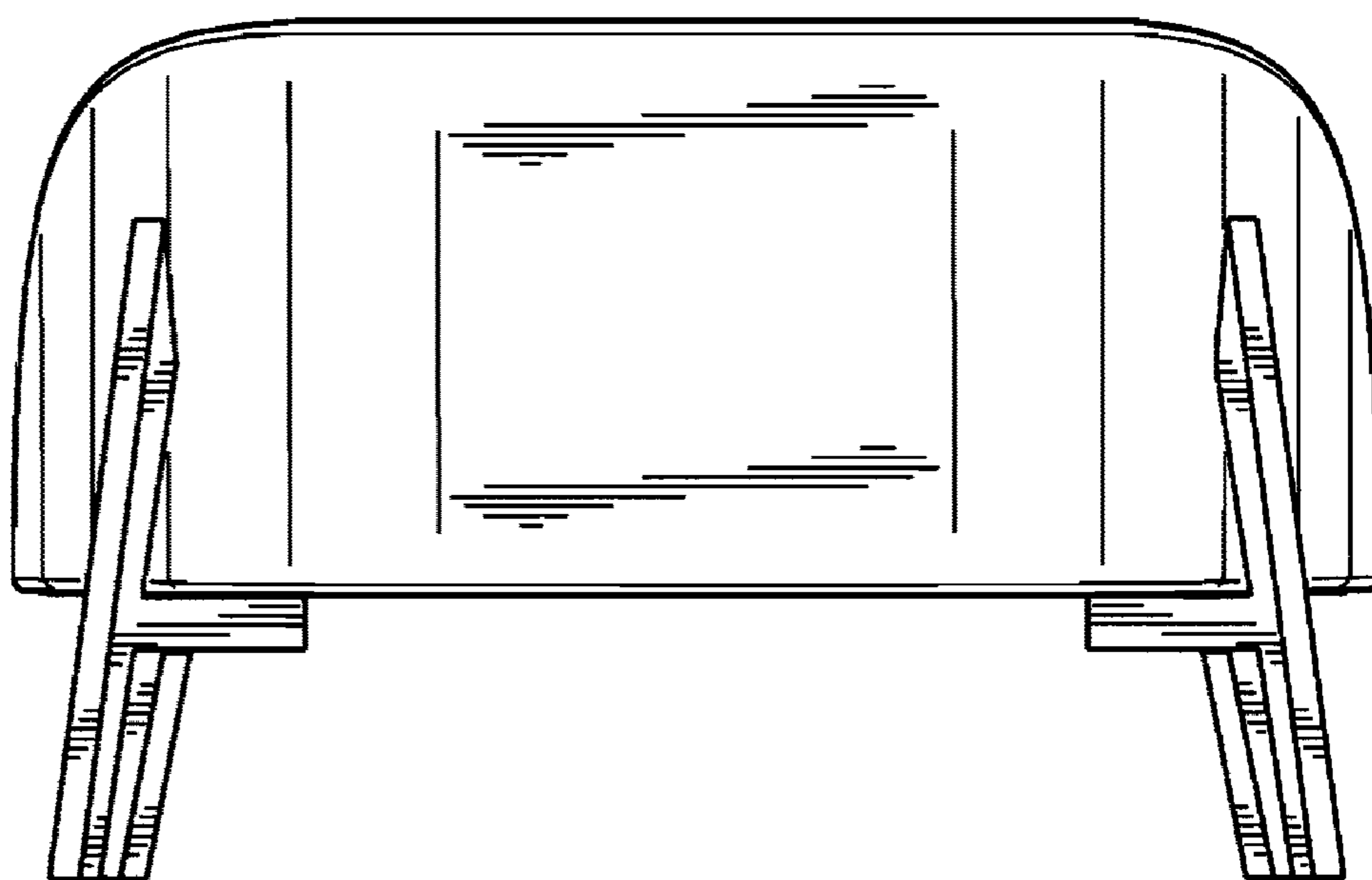


FIG. 5

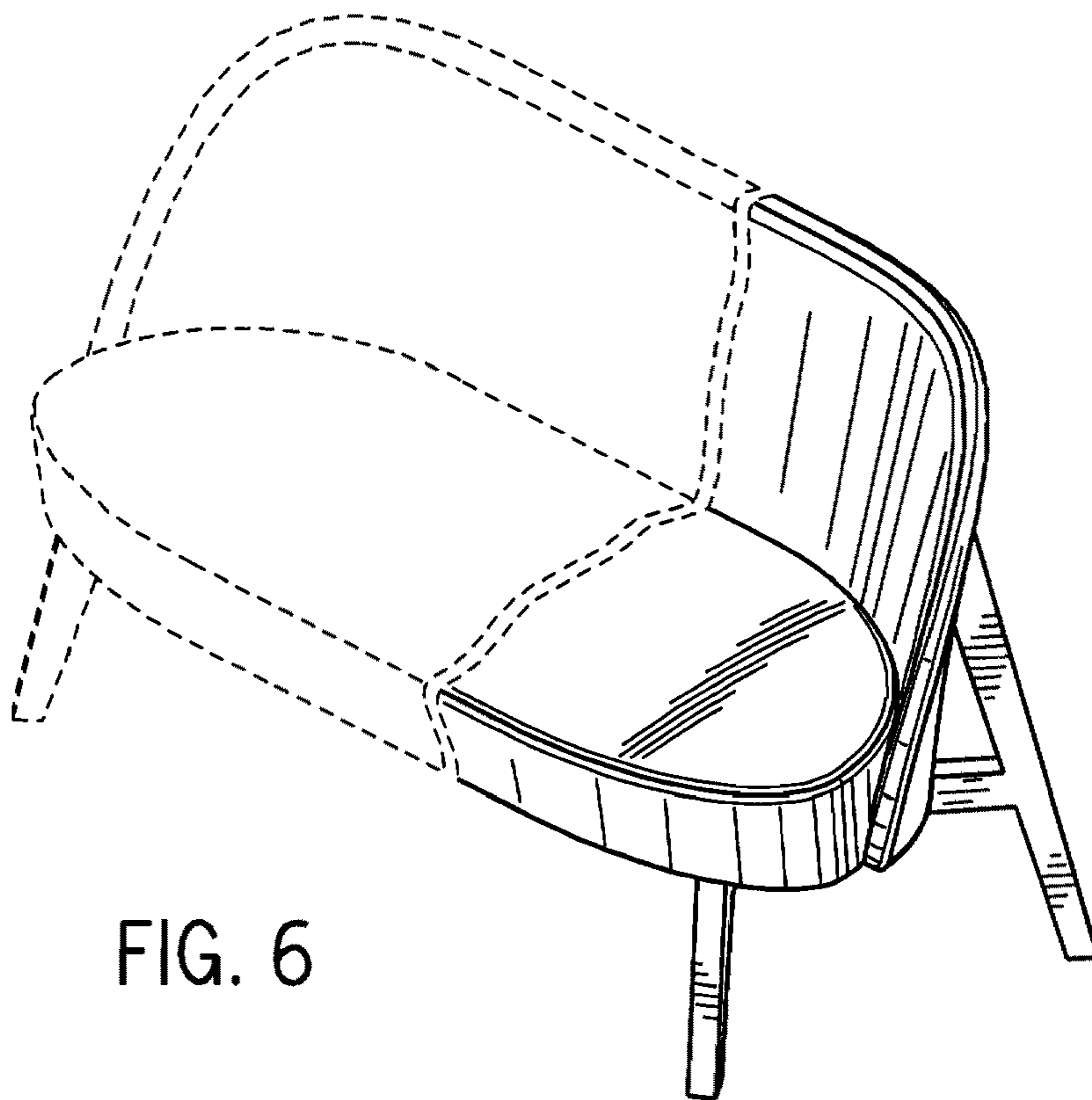


FIG. 6

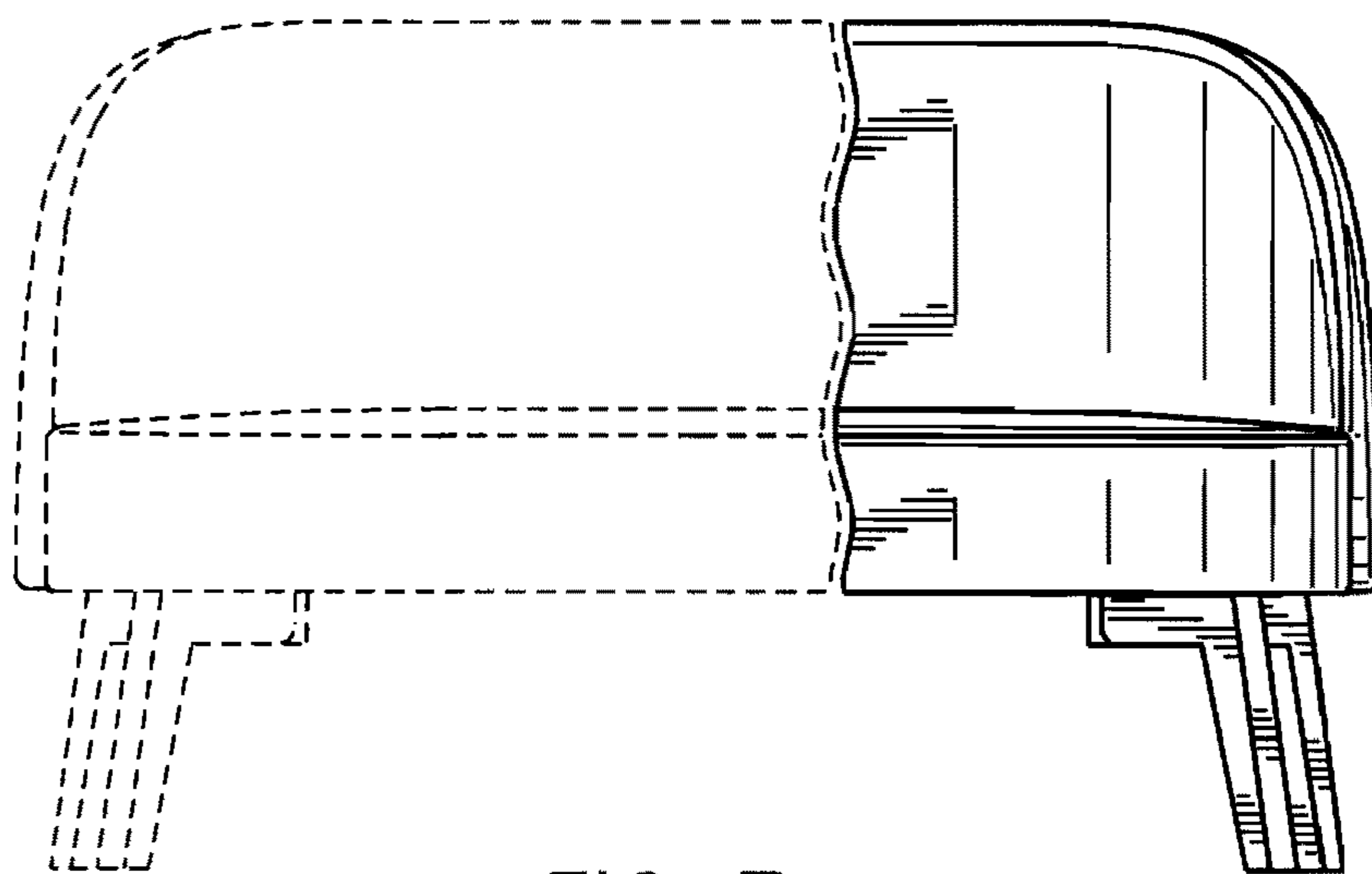


FIG. 7

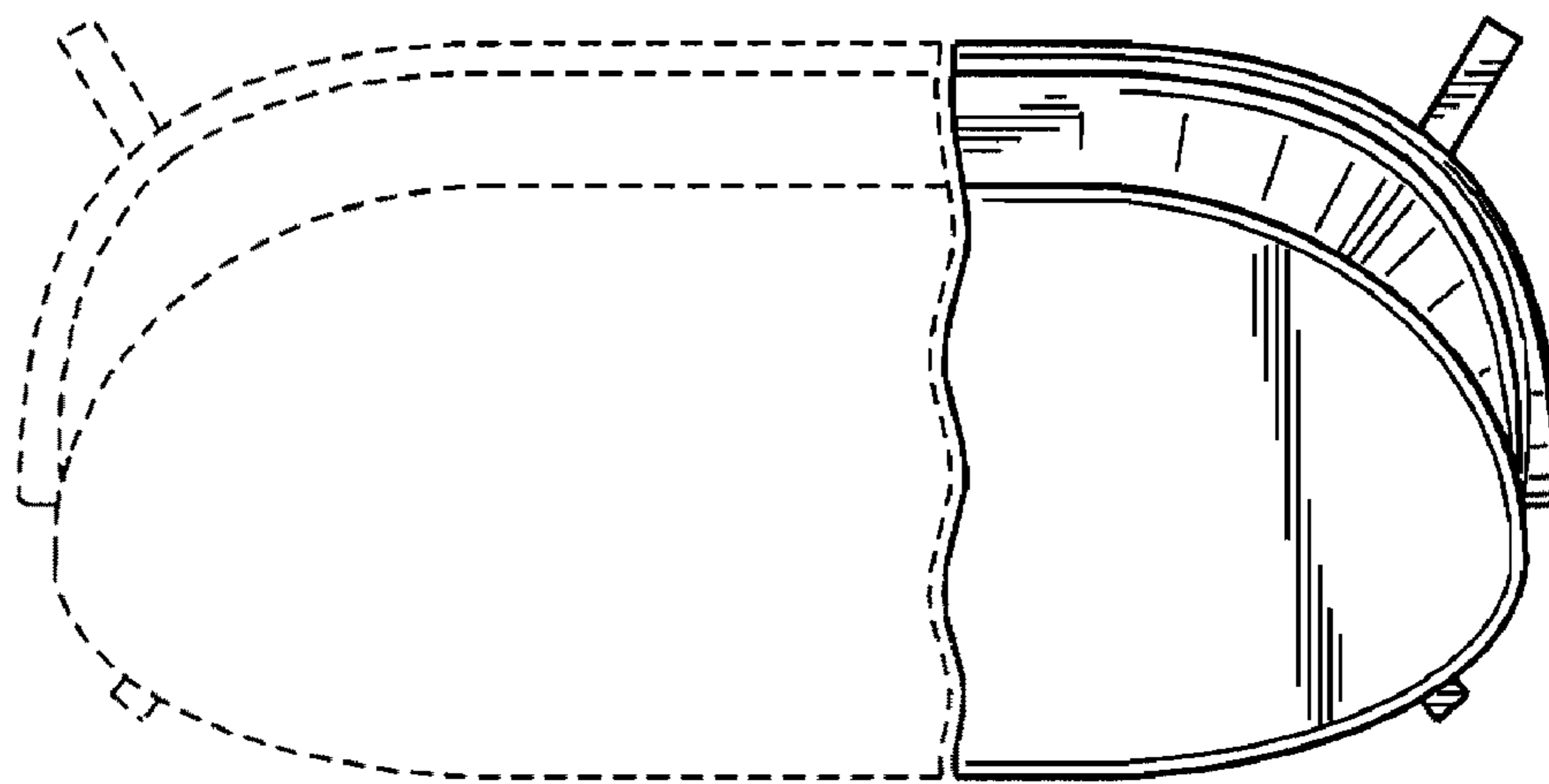


FIG. 8

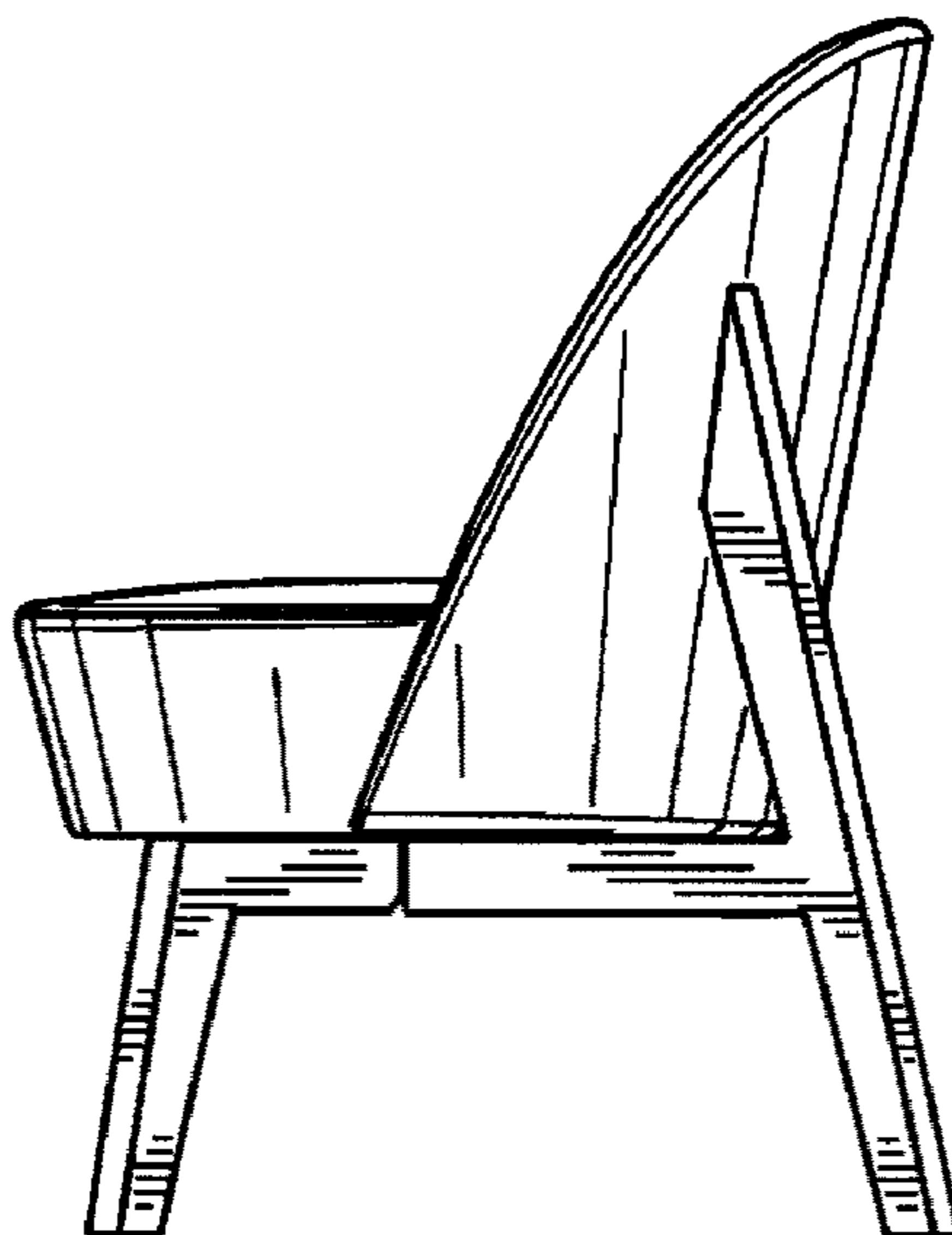


FIG. 9

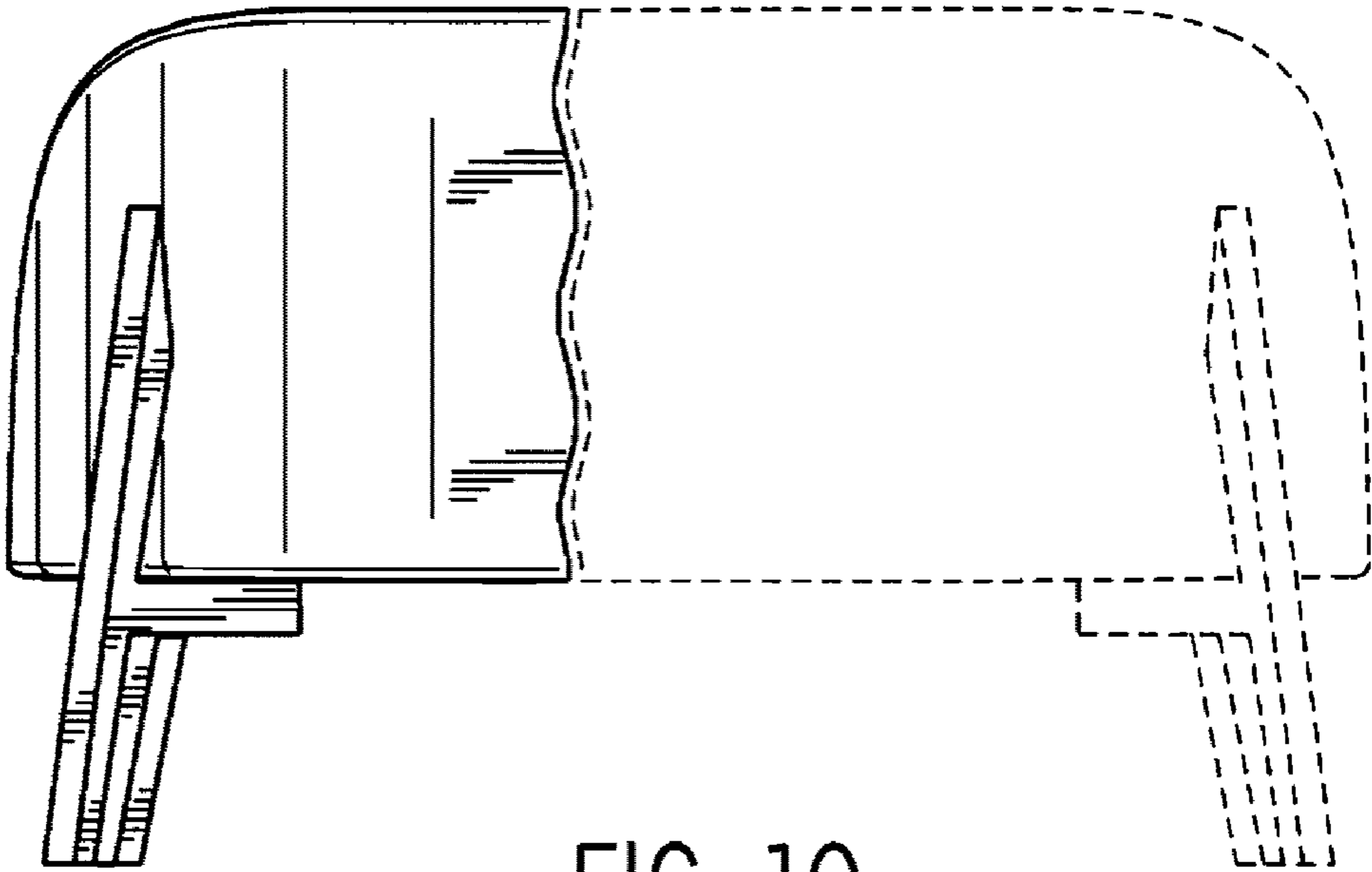


FIG. 10

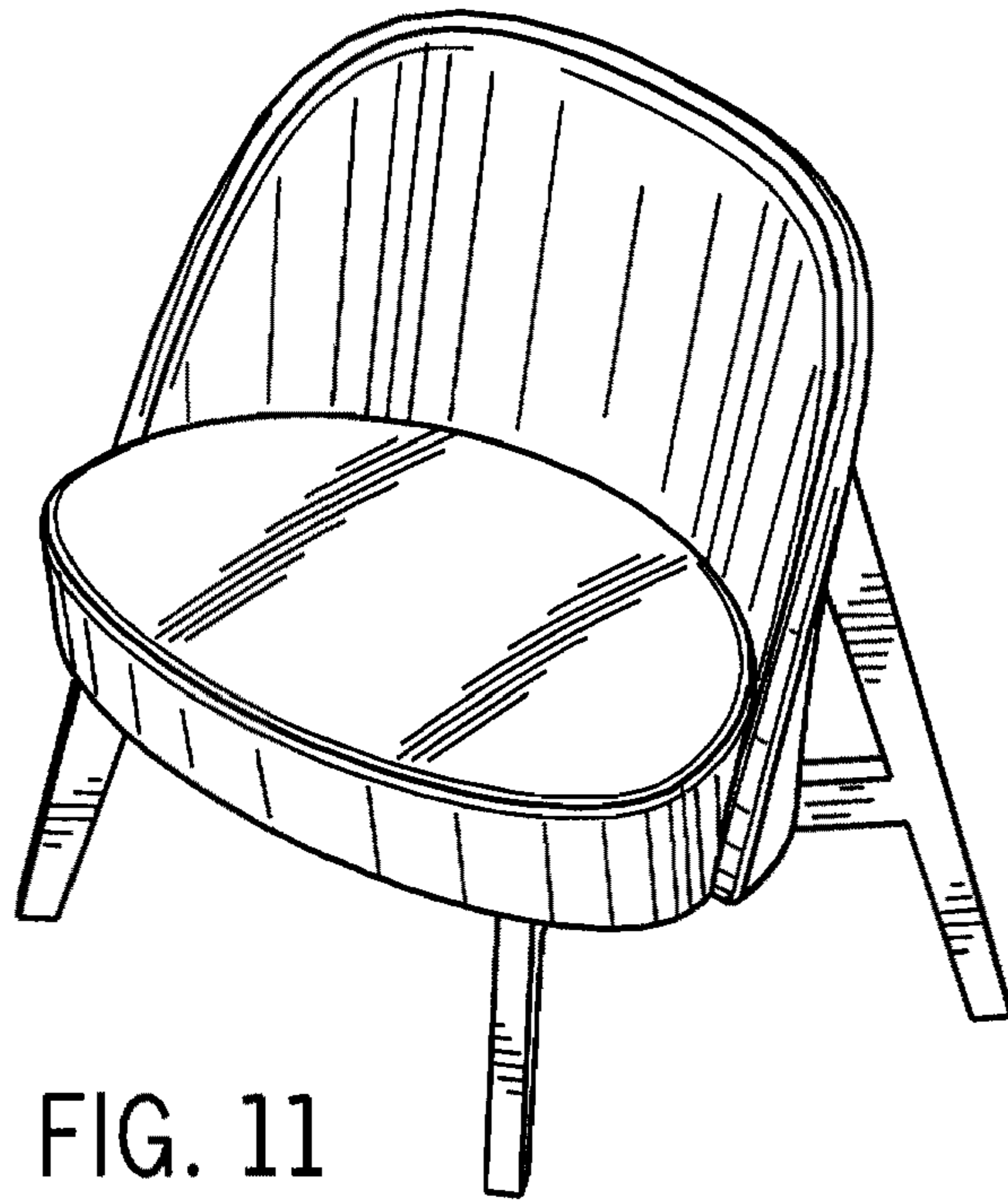


FIG. 11

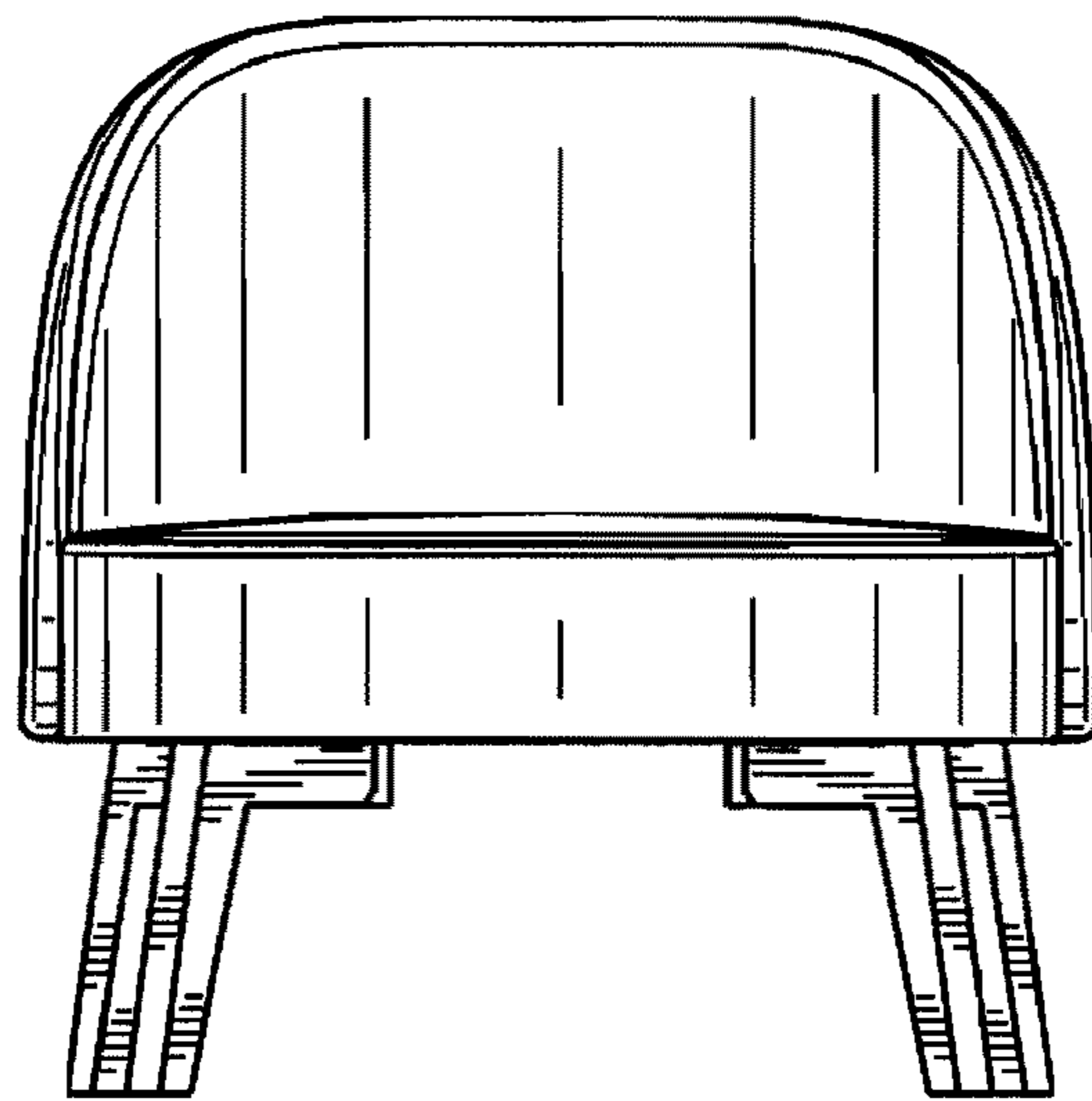


FIG. 12

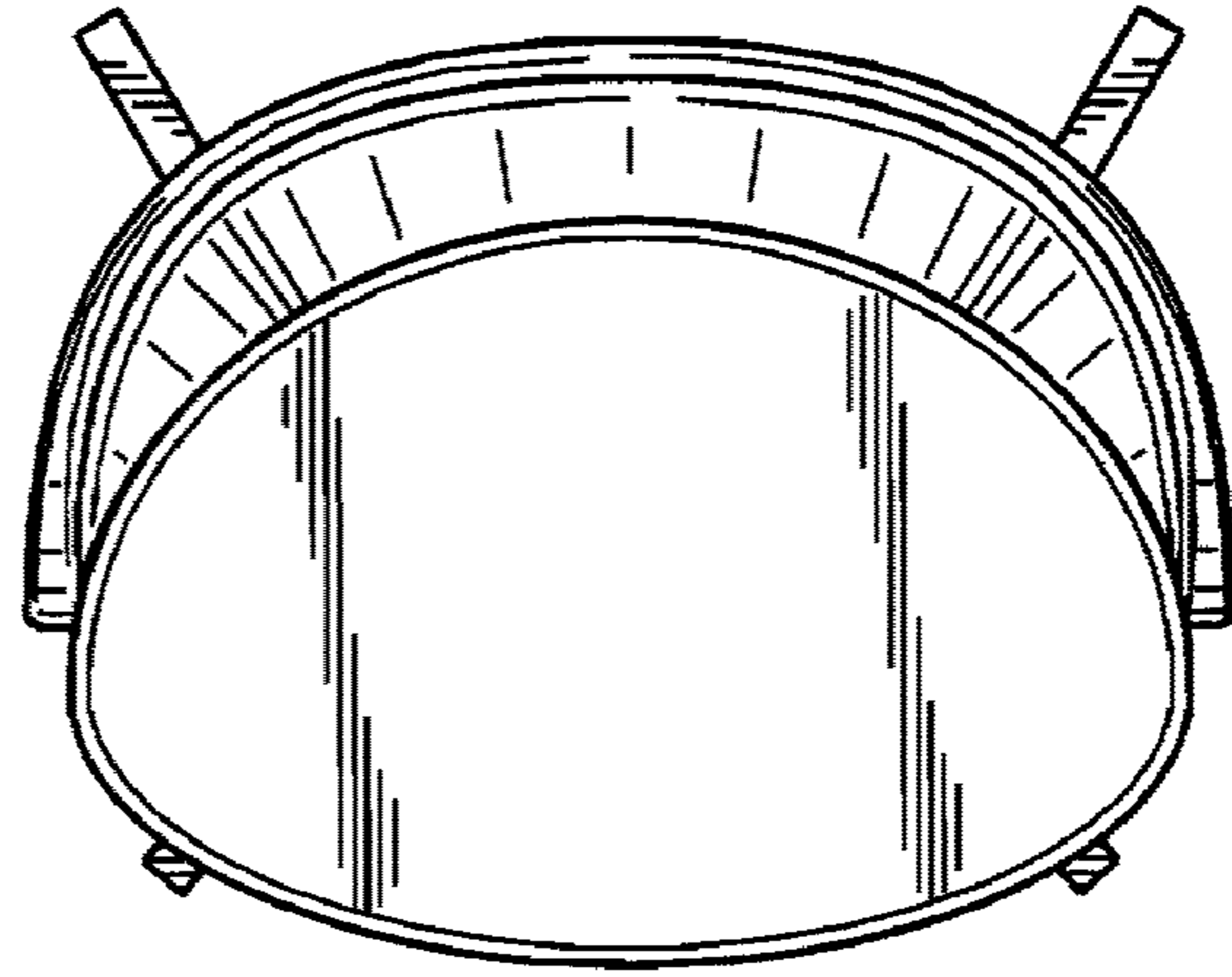


FIG. 13

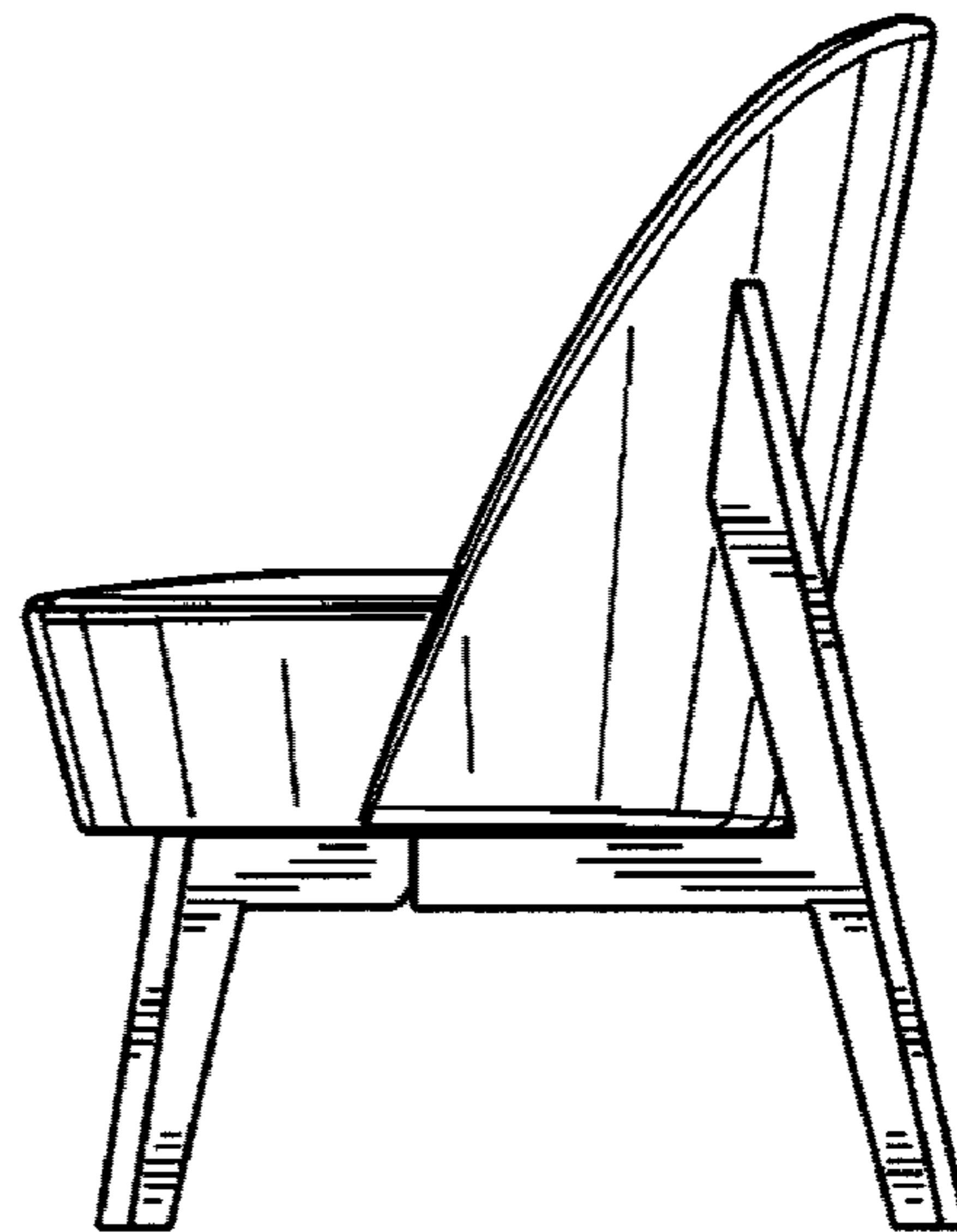


FIG. 14

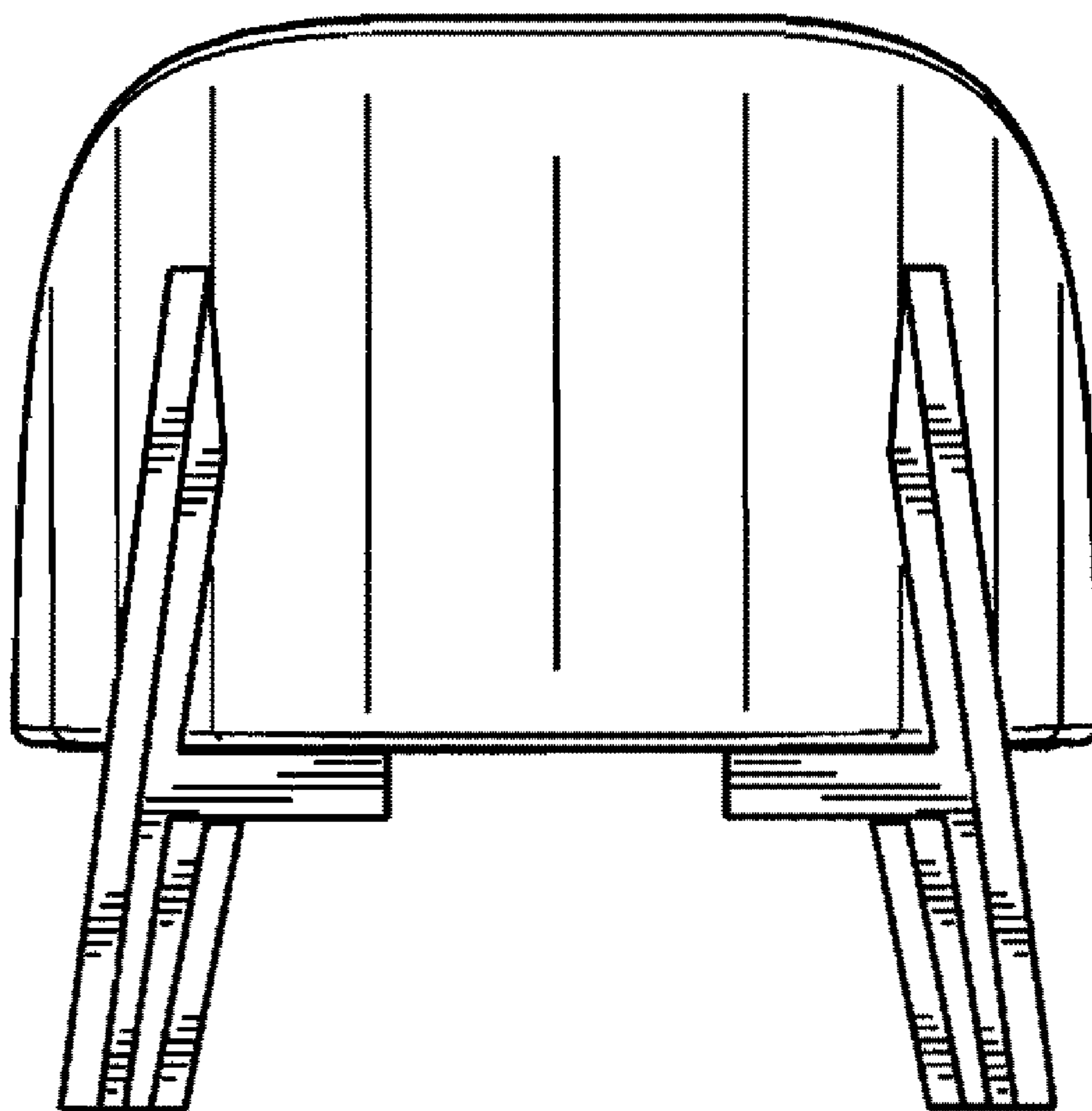


FIG. 15

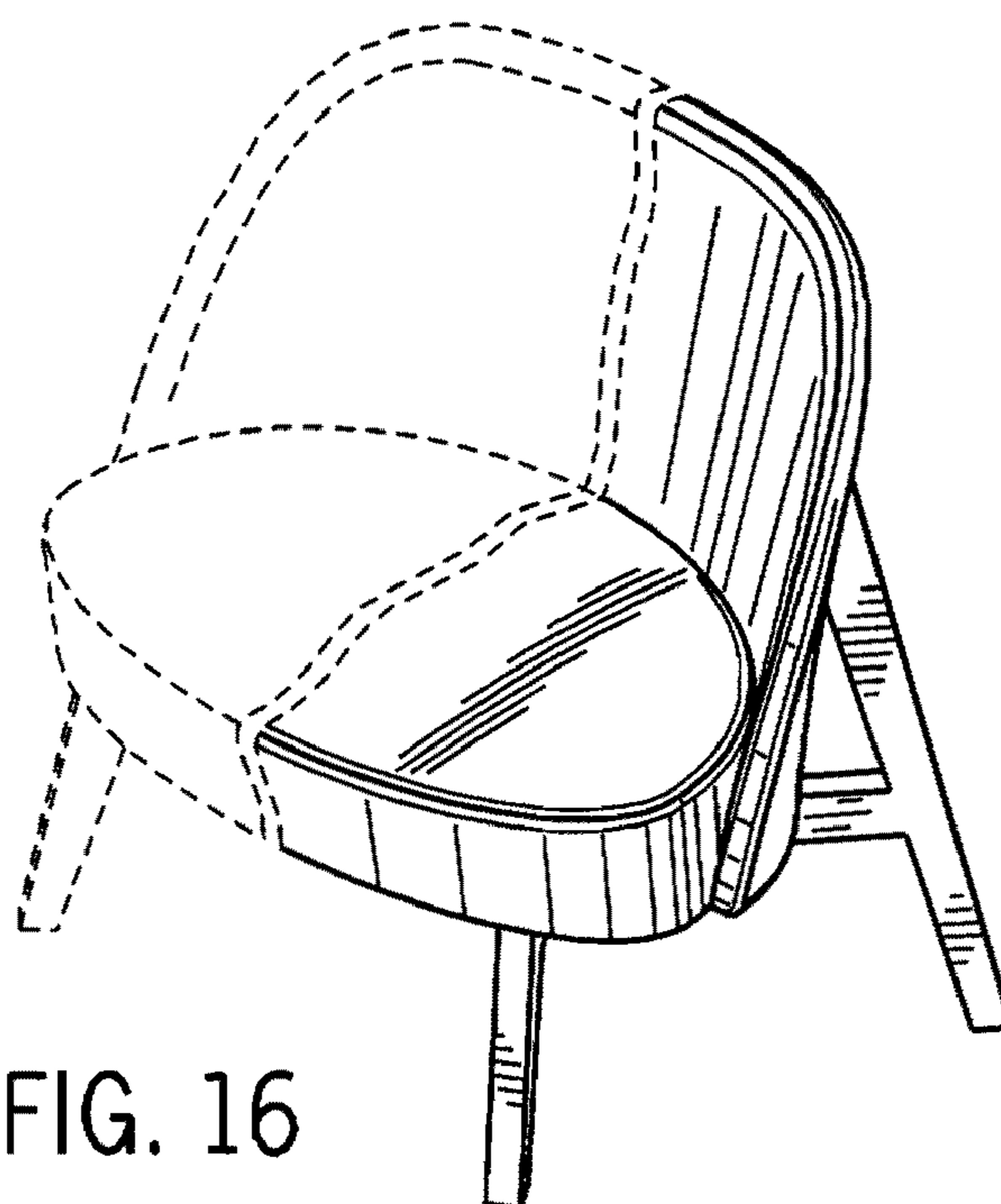


FIG. 16

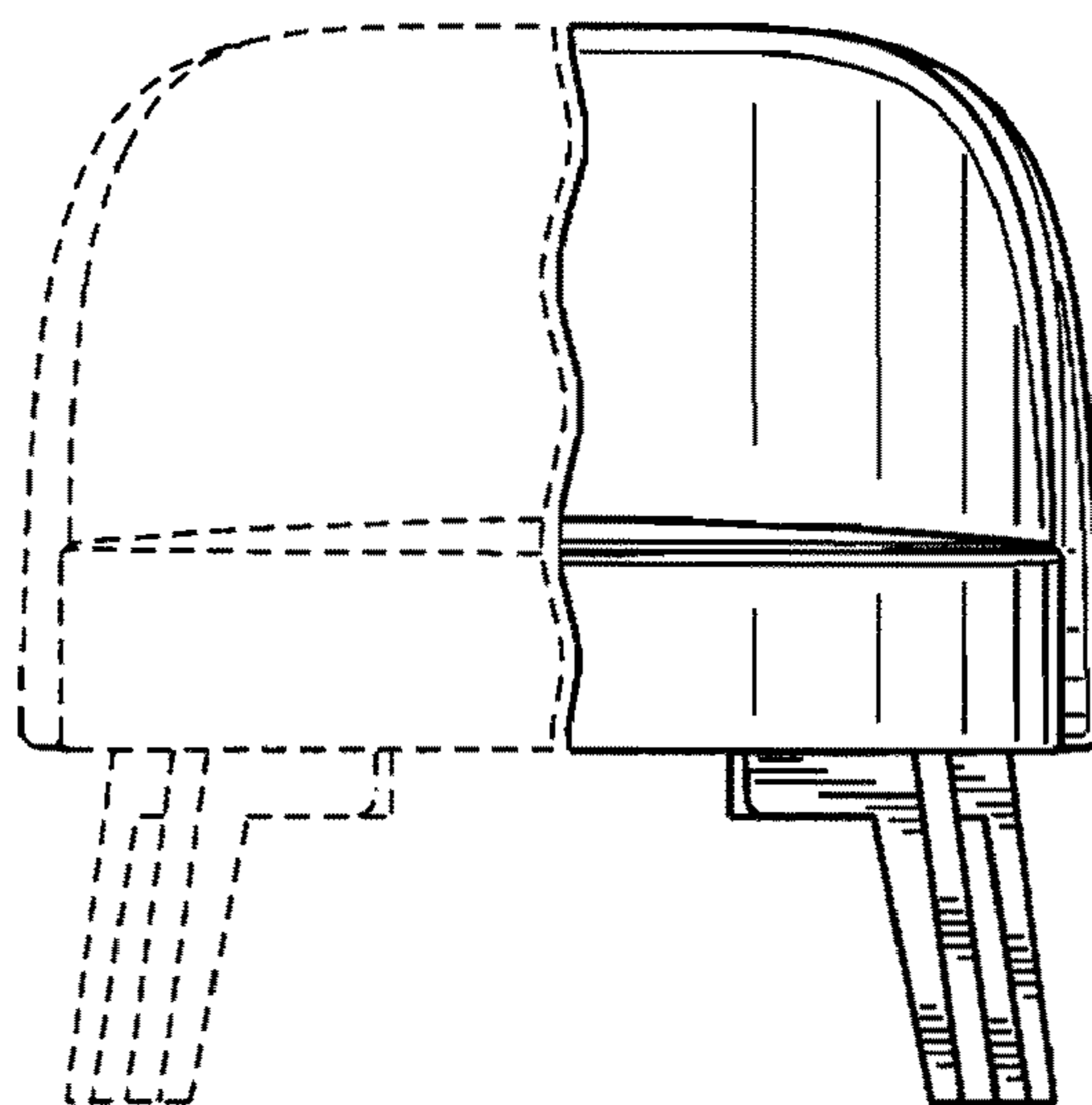


FIG. 17

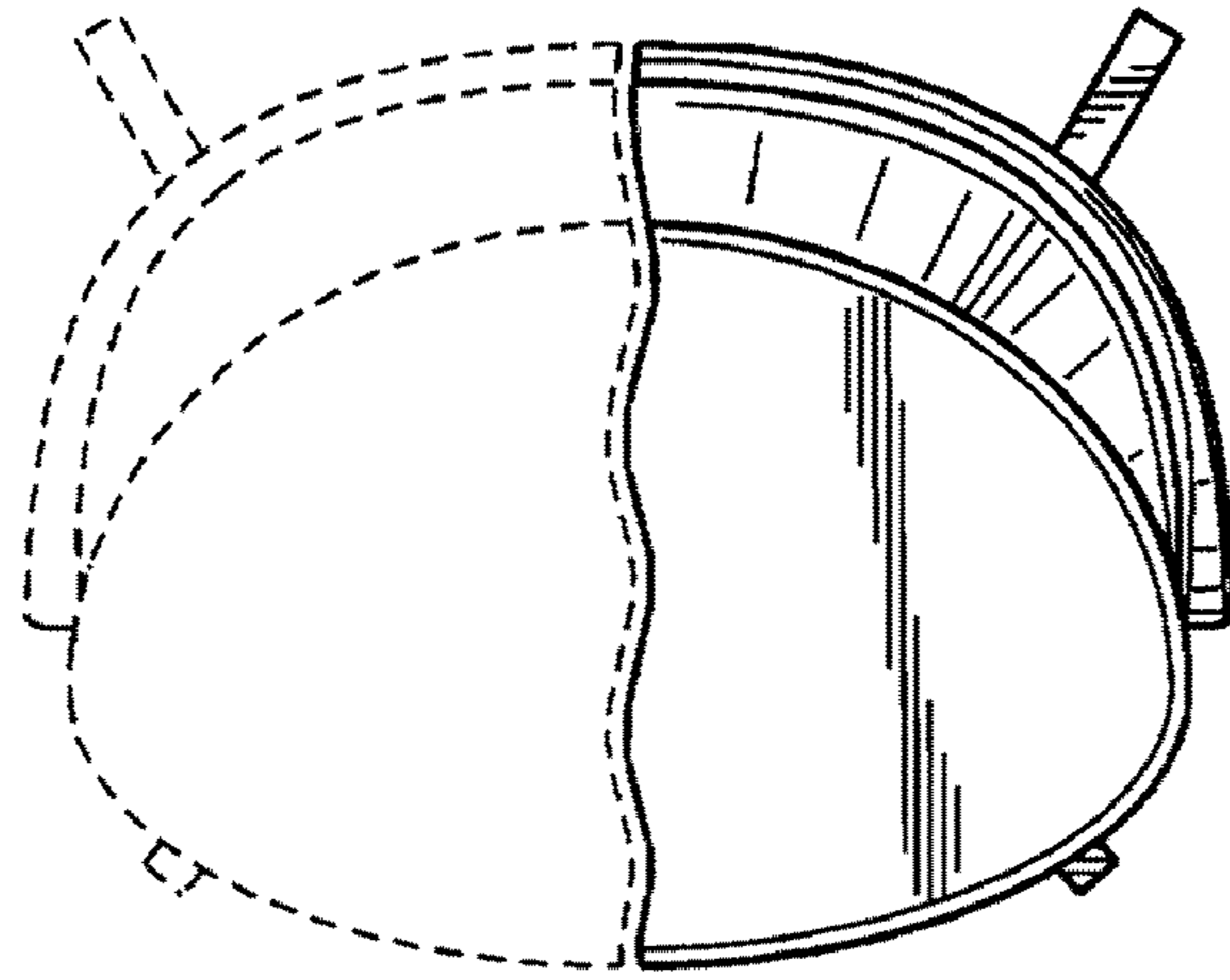


FIG. 18

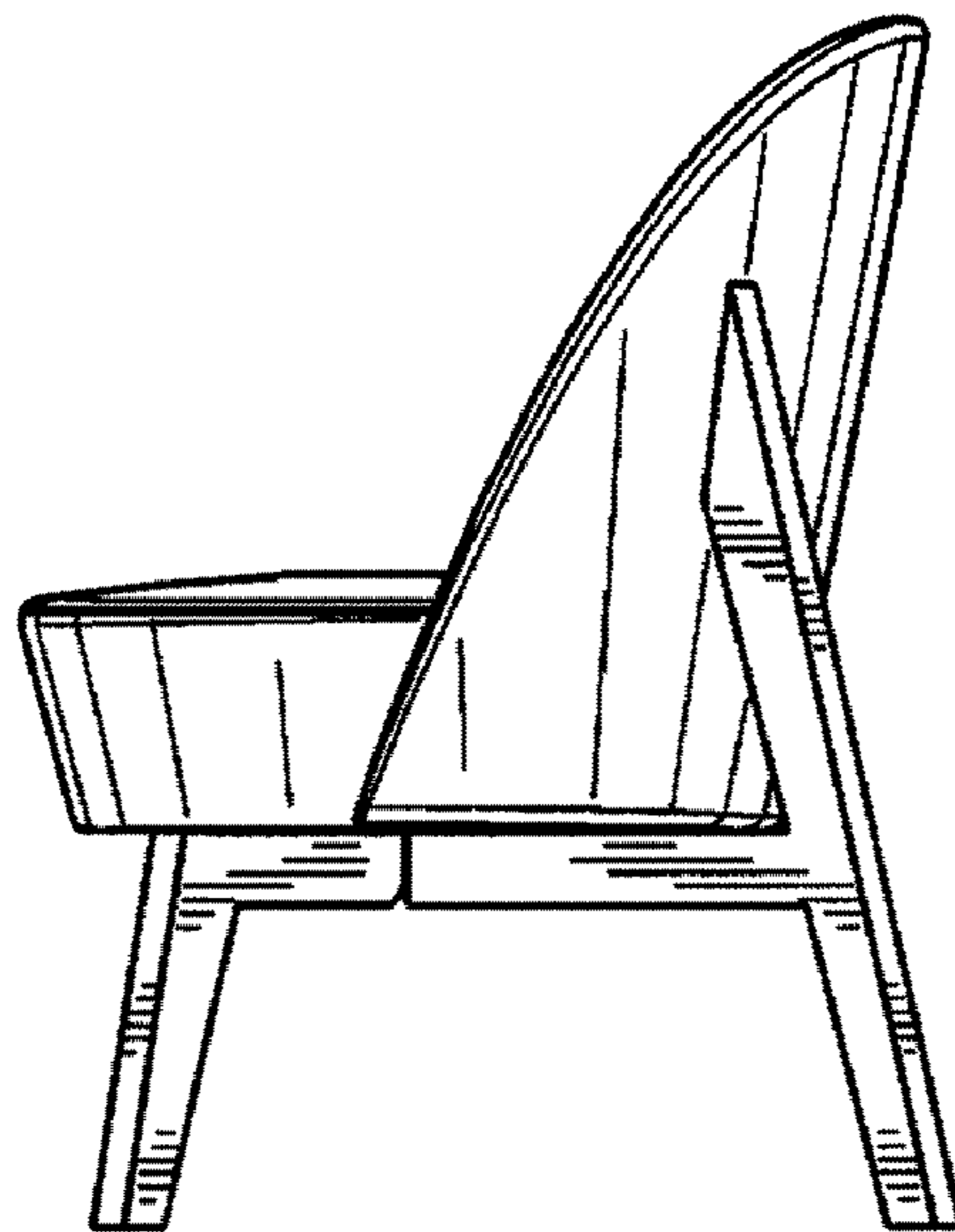


FIG. 19

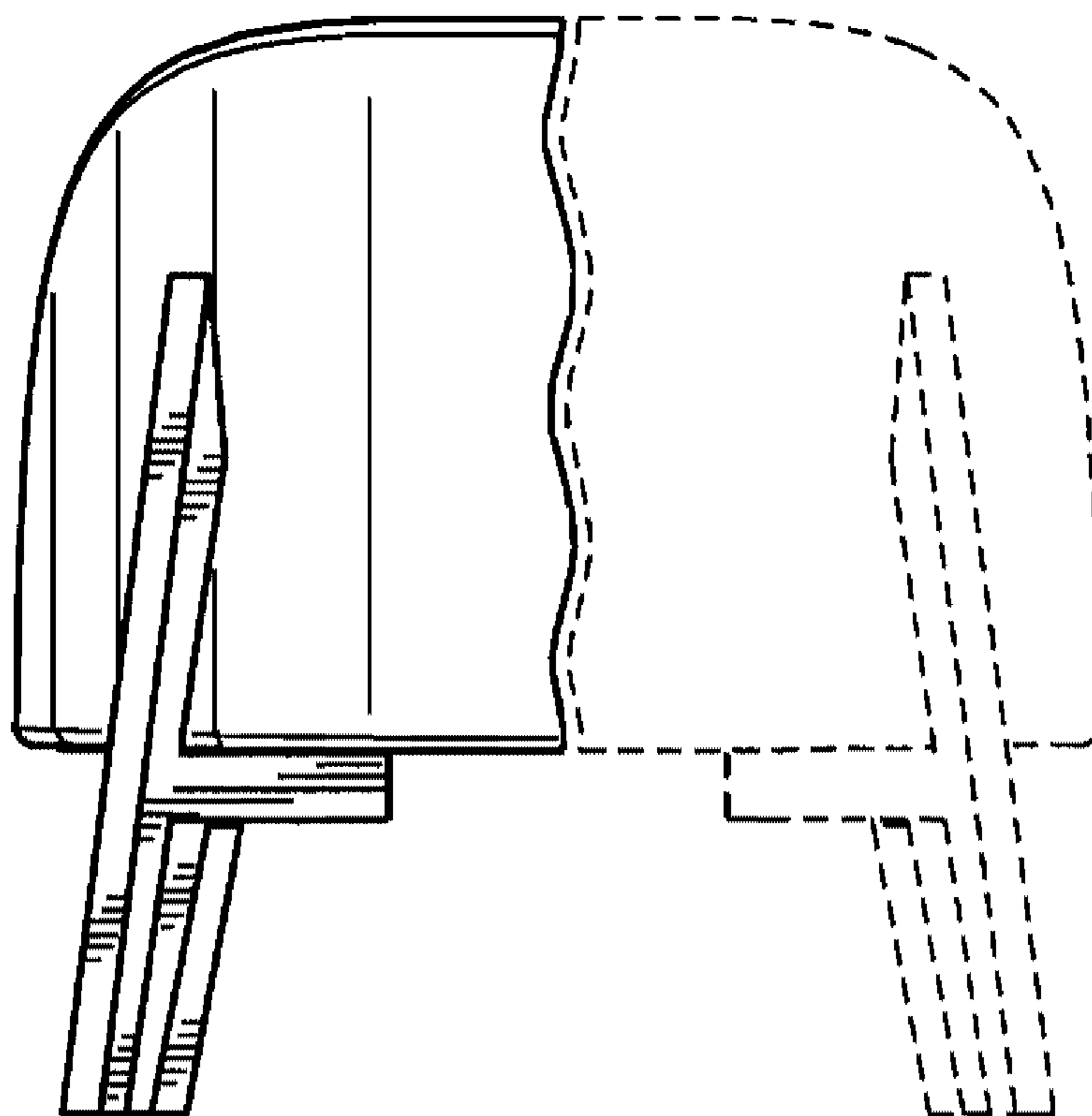


FIG. 20