



US00D602705S

(12) **United States Design Patent**
Holbrook

(10) **Patent No.:** **US D602,705 S**

(45) **Date of Patent:** **** Oct. 27, 2009**

(54) **FRAME FOR MODULAR SEATING**

(75) Inventor: **Richard Holbrook**, Pasadena, CA (US)

(73) Assignee: **Tropitone Furniture Co., Inc.**, Irvine, CA (US)

(**) Term: **14 Years**

(21) Appl. No.: **29/304,445**

(22) Filed: **Feb. 29, 2008**

(51) **LOC (9) Cl.** **06-01**

(52) **U.S. Cl.** **D6/378**

(58) **Field of Classification Search** D6/334–336,
D6/364, 371–373, 374, 375, 377, 378, 381,
D6/500–502; 297/232, 233, 451.8

See application file for complete search history.

(56) **References Cited**

U.S. PATENT DOCUMENTS

D165,915 S *	2/1952	Grundy	D6/378
D259,600 S *	6/1981	Marks	D6/378
D259,605 S *	6/1981	Marks	D6/378
D544,233 S *	6/2007	Hutton	D6/378
D572,933 S *	7/2008	van Ierssel et al.	D6/378
D572,934 S *	7/2008	Frinier	D6/378
D577,924 S *	10/2008	van Ierssel et al.	D6/377

* cited by examiner

Primary Examiner—Mimosa De

(74) *Attorney, Agent, or Firm*—Knobbe, Martens, Olson & Bear LLP

(57) **CLAIM**

The ornamental design for a frame for modular seating, as shown and described.

DESCRIPTION

FIG. 1 is a perspective view of a frame for modular seating embodying the new design;

FIG. 2 is an elevational view of the front of the frame for modular seating of FIG. 1;

FIG. 3 is an elevational view of the rear of the frame for modular seating of FIG. 1;

FIG. 4 is an elevational view of the right side of the frame for modular seating of FIG. 1;

FIG. 5 is an elevational view of the left side of the frame for modular seating of FIG. 1;

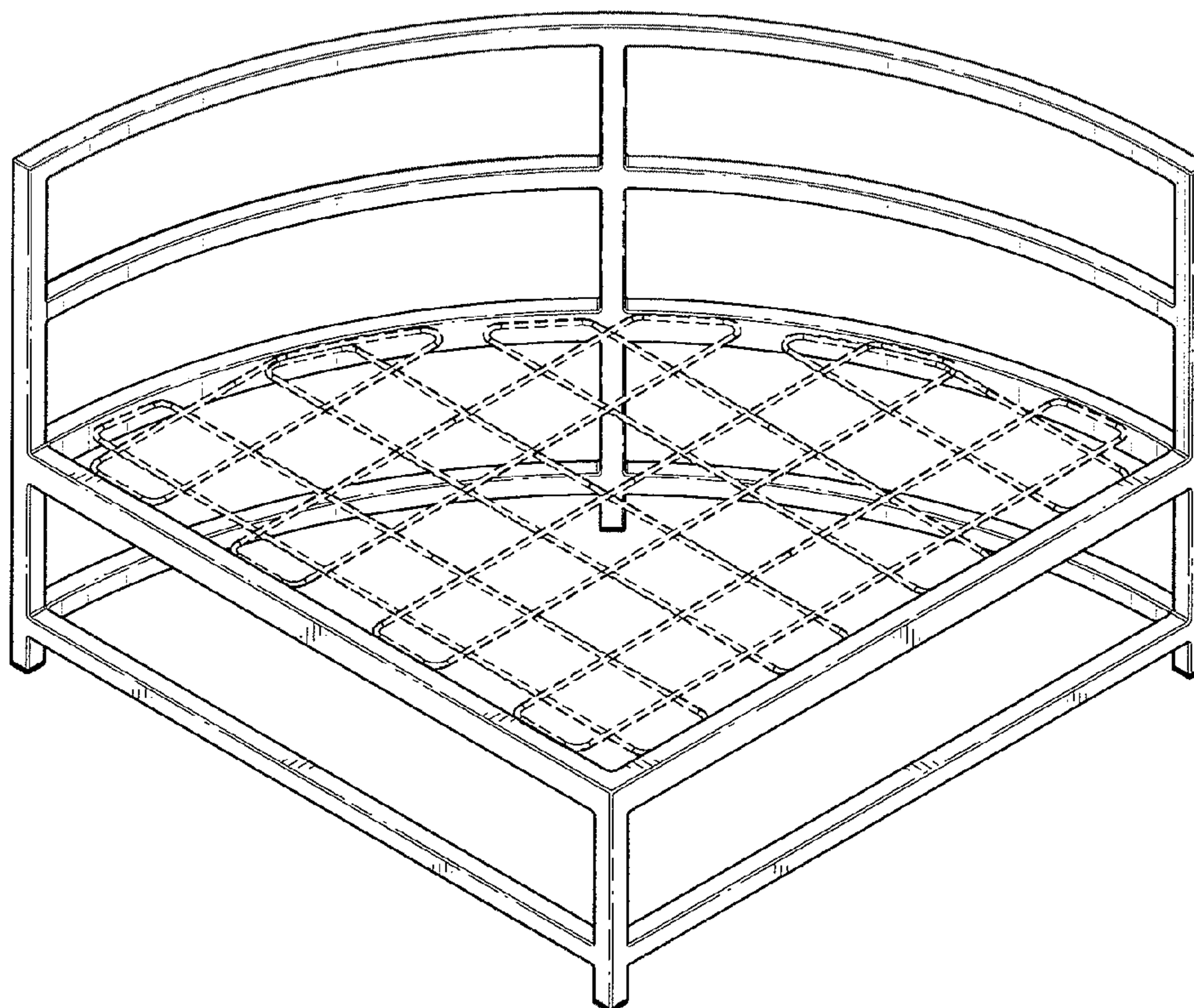
FIG. 6 is a top plan view showing of the frame for modular seating of FIG. 1;

FIG. 7 is a bottom plan view of the frame for modular seating of FIG. 1; and,

FIG. 8 is a bottom perspective view of the frame for modular seating of FIG. 1.

Phantom lining where utilized is for illustration purposes only and forms no part of the claimed design.

1 Claim, 6 Drawing Sheets



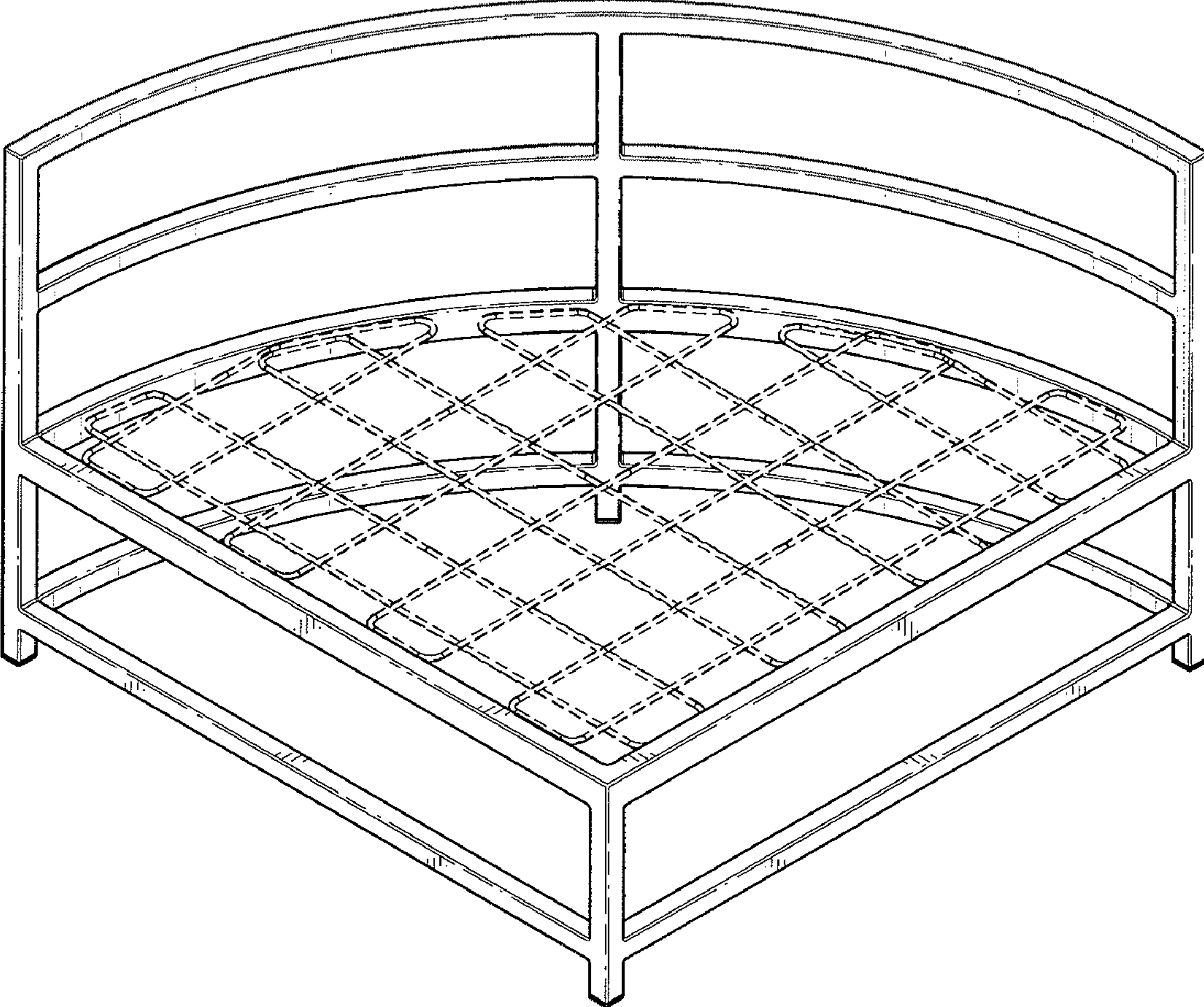


FIG. 1

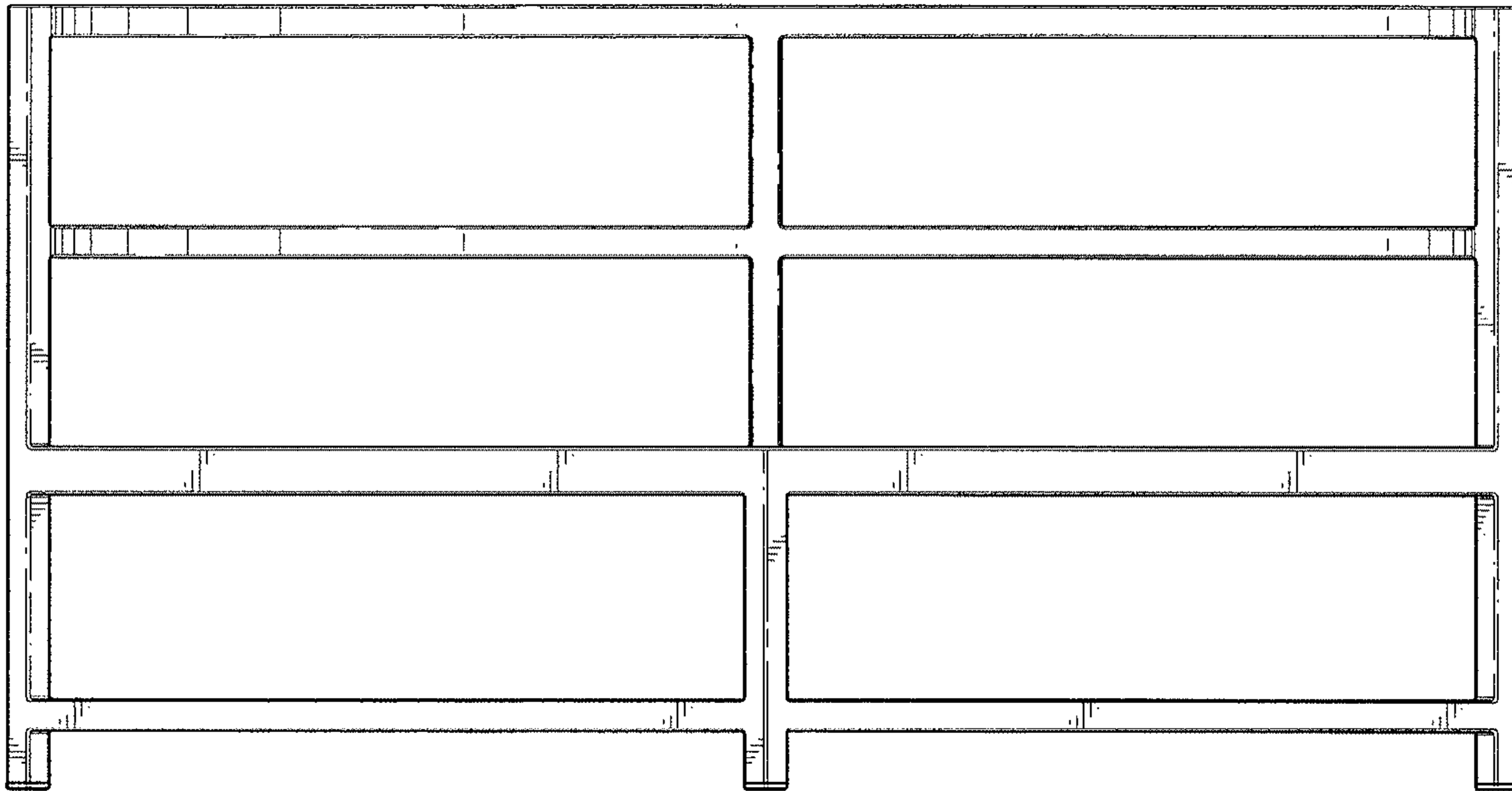


FIG. 2

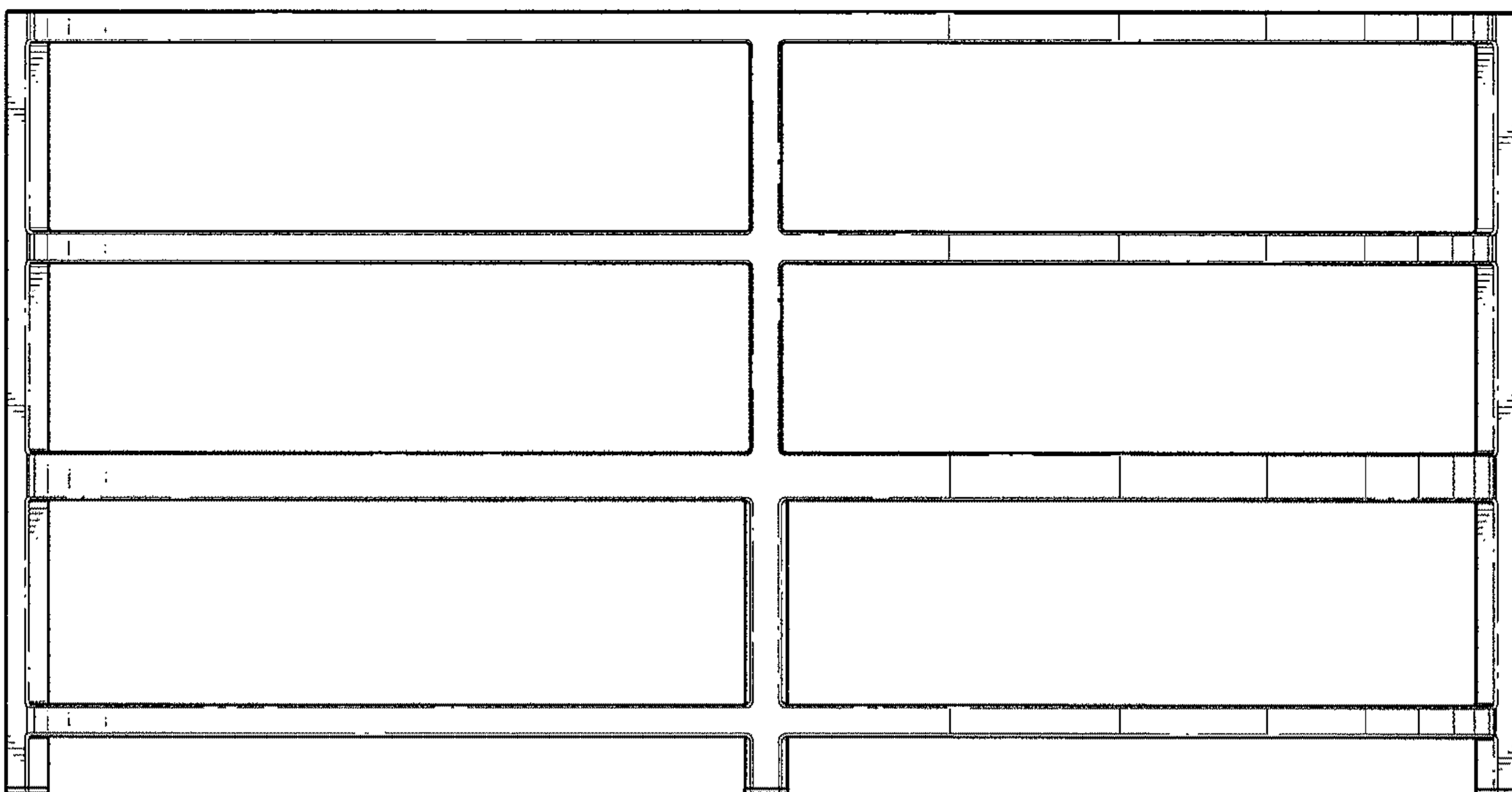


FIG. 3



FIG. 4

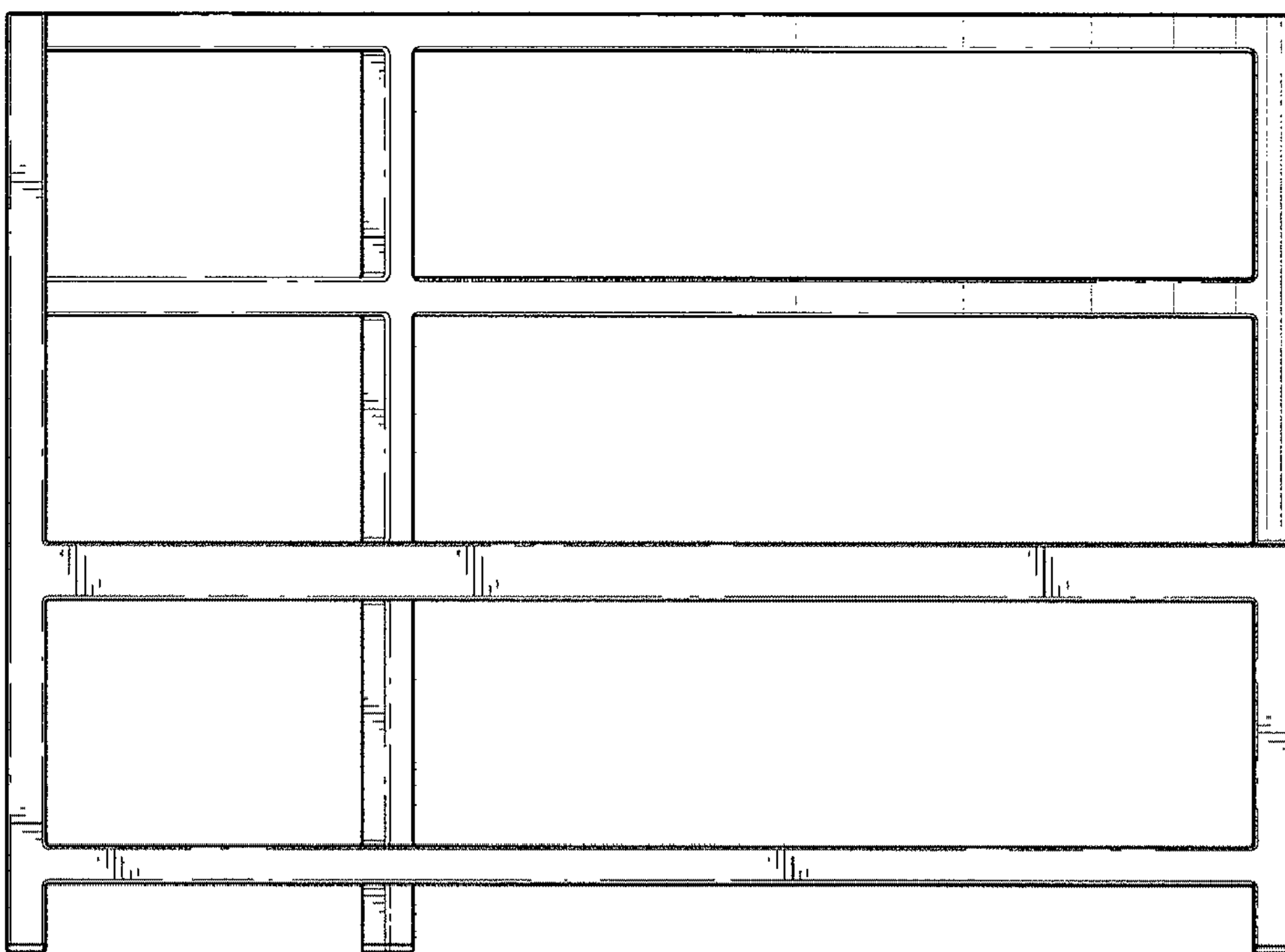


FIG. 5

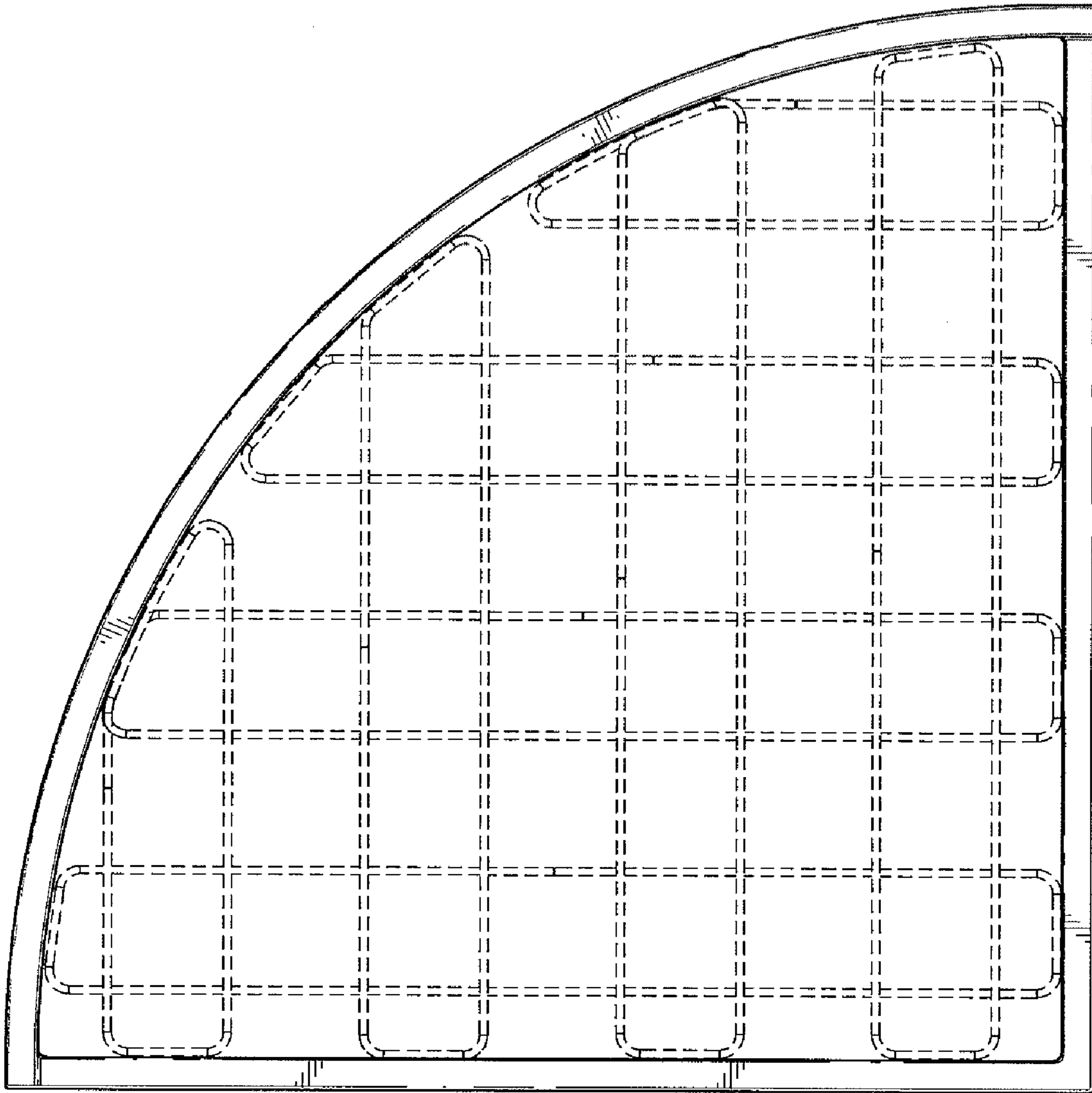


FIG. 6

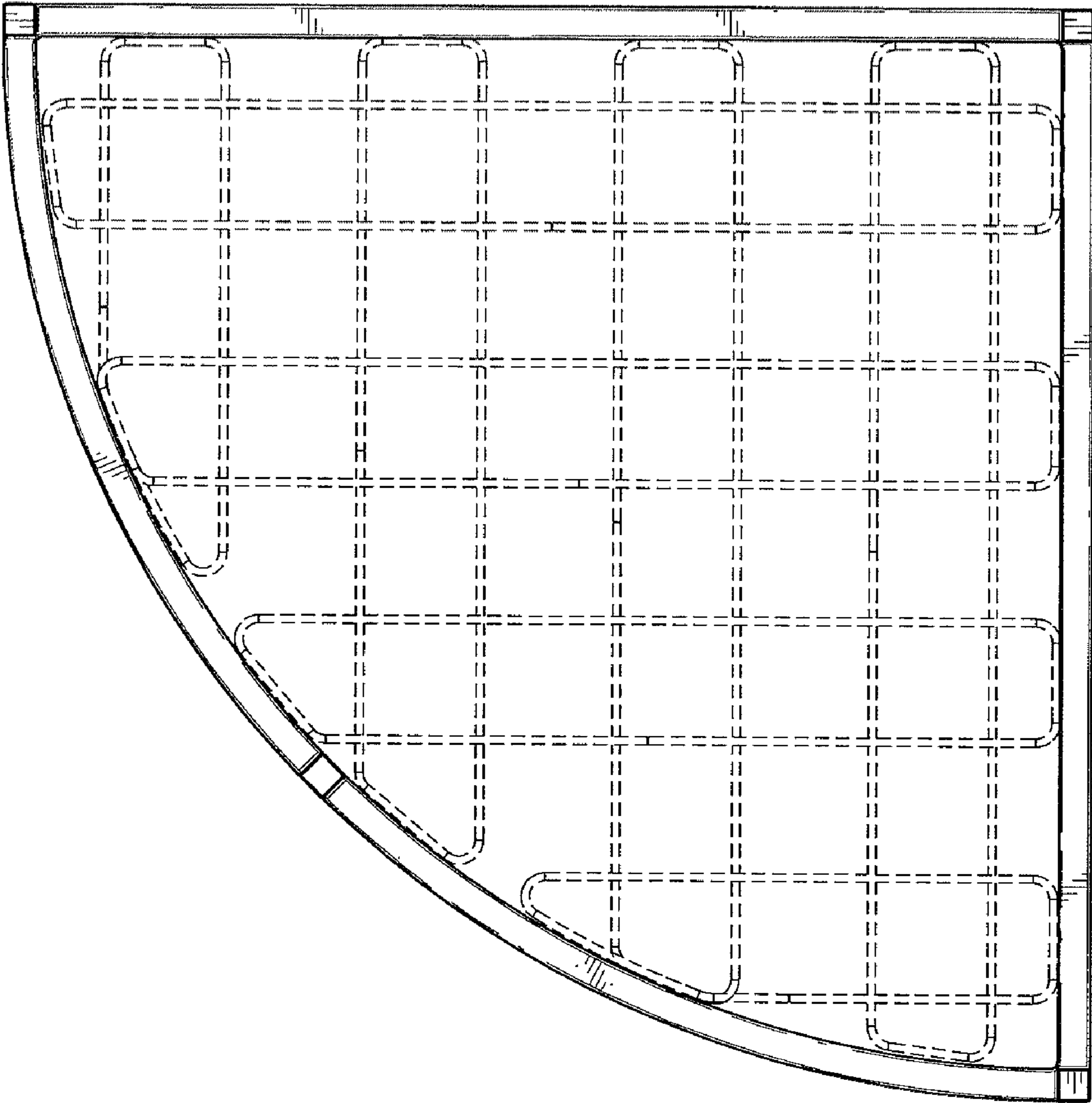


FIG. 7

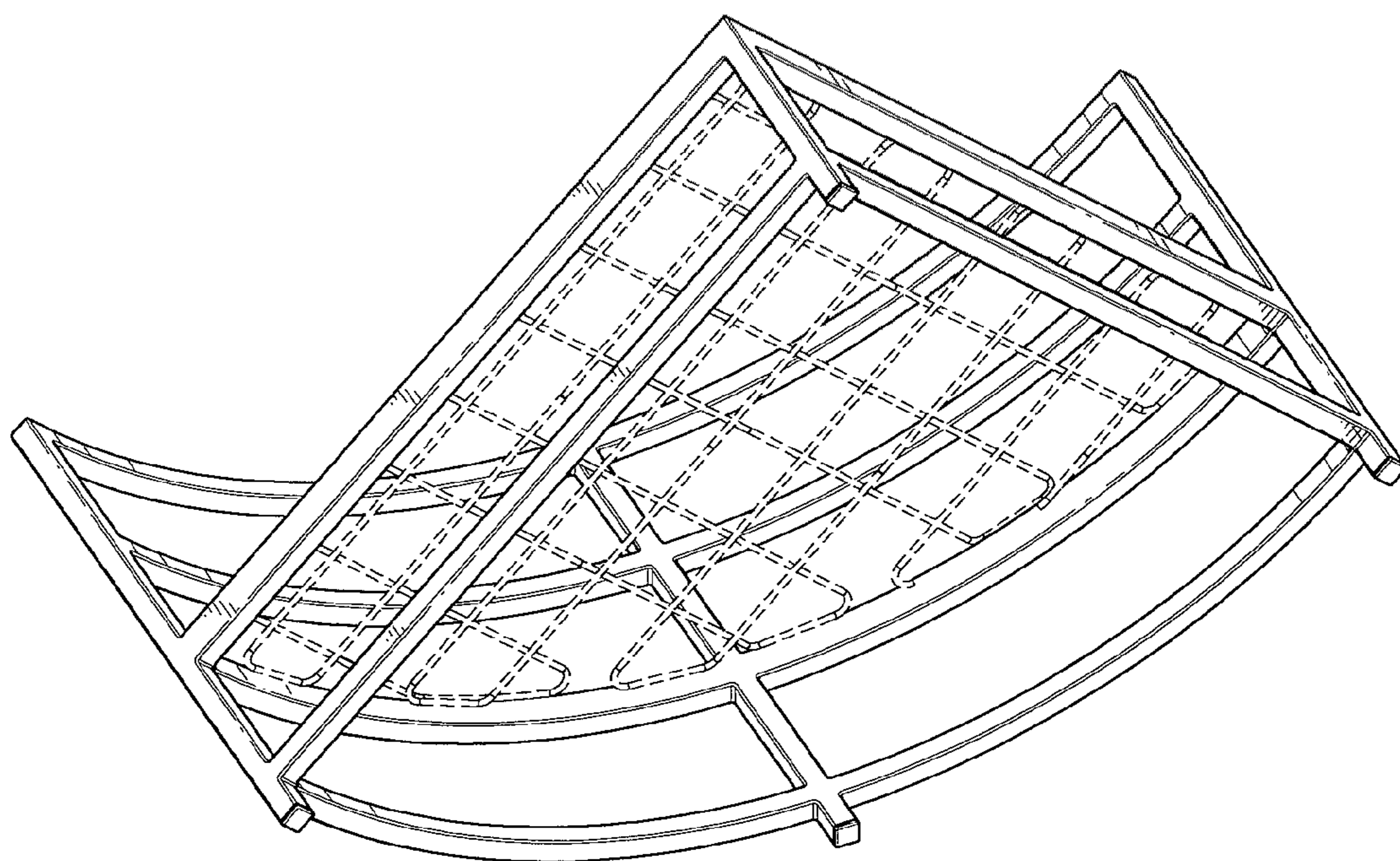


FIG. 8