



US00D602704S

(12) **United States Design Patent**
Tierney

(10) **Patent No.:** **US D602,704 S**

(45) **Date of Patent:** **** Oct. 27, 2009**

(54) **CHAIR**

(75) Inventor: **Martin Tierney**, Limavady (GB)

(73) Assignee: **Seating Matters, Ltd.**, Limavady (GB)

(**) Term: **14 Years**

(21) Appl. No.: **29/328,599**

(22) Filed: **Nov. 26, 2008**

(51) **LOC (9) Cl.** **06-01**

(52) **U.S. Cl.** **D6/367**

(58) **Field of Classification Search** D6/334-336,
D6/360, 361, 367, 371, 373, 492, 500-502;
297/68, 84, 85, 411.42, 411.45, 423.1, 445.1,
297/446.1; D12/178, 183; D24/128, 131;
5/618, 640

See application file for complete search history.

(56) **References Cited**

U.S. PATENT DOCUMENTS

D231,878 S *	6/1974	Kellum	D6/367
D263,434 S *	3/1982	Miller	D6/360
D364,971 S *	12/1995	Sterlacci	D6/367
5,868,461 A *	2/1999	Brotherston	297/84
6,014,783 A *	1/2000	Collier et al.	5/618
7,069,608 B2 *	7/2006	Failor et al.	5/618

D532,984 S *	12/2006	Bennett	D6/367
D541,064 S *	4/2007	Miller et al.	D6/367
D551,869 S *	10/2007	Zambelli	D6/367
2006/0253984 A1 *	11/2006	Dewert	5/618

* cited by examiner

Primary Examiner—Mimosa De

(74) *Attorney, Agent, or Firm*—Robert K. Roth, Esq.; Miller, Canfield, Paddock and Stone, PLC

(57) **CLAIM**

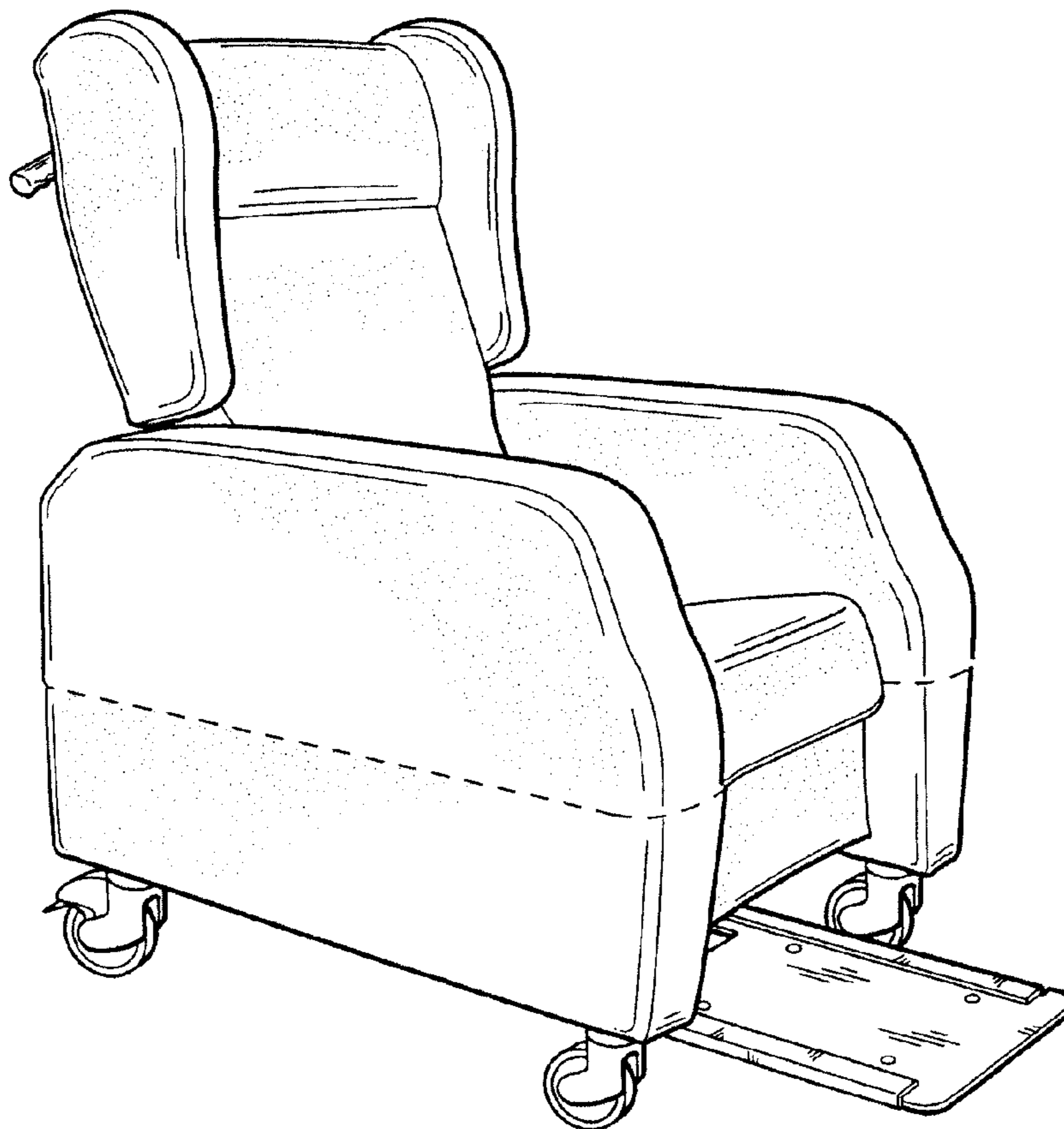
The ornamental design for a chair, as shown and described.

DESCRIPTION

- FIG. 1 is an isometric view of a chair.
- FIG. 2 is a rear isometric view of the chair of FIG. 1.
- FIG. 3 is a side view of the chair of FIG. 1.
- FIG. 4 is a front side view of the chair of FIG. 1.
- FIG. 5 is a rear side view of the chair of FIG. 1.
- FIG. 6 is a top side view of the chair of FIG. 1; and,
- FIG. 7 is a bottom side view of the chair of FIG. 1.

The broken lines shown in the drawing form no part of the claimed design.

1 Claim, 7 Drawing Sheets



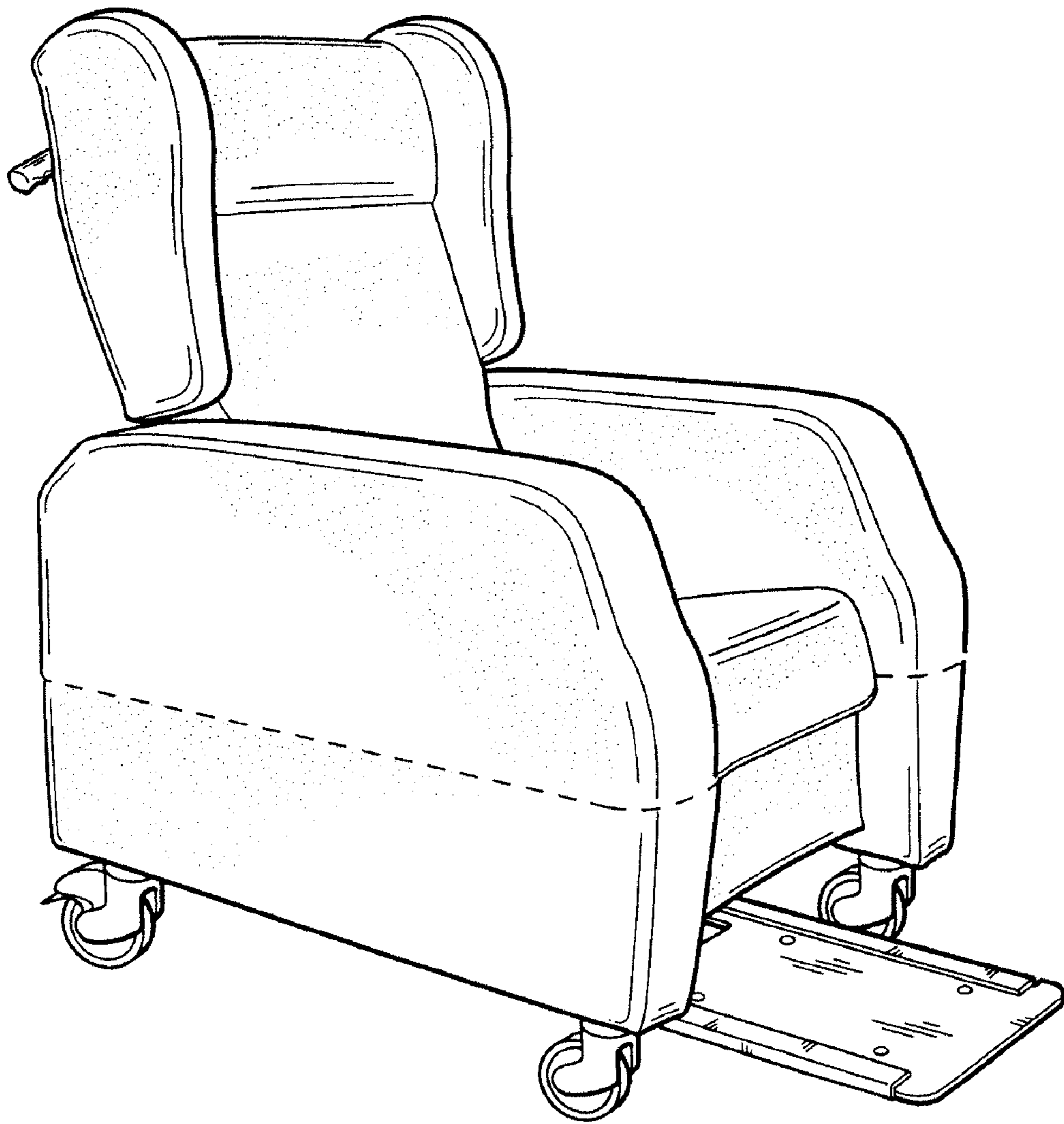


Fig. 1

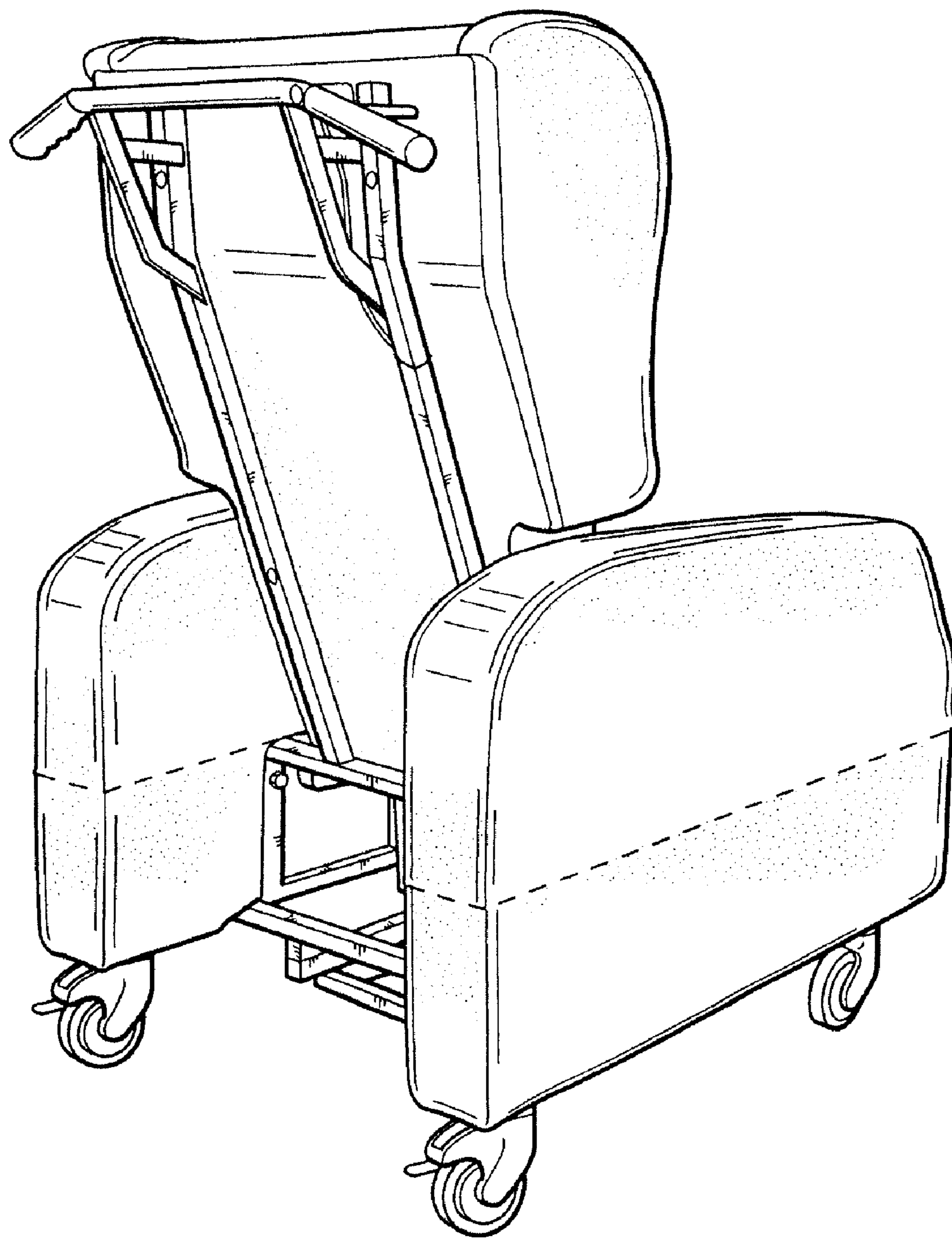


Fig. 2

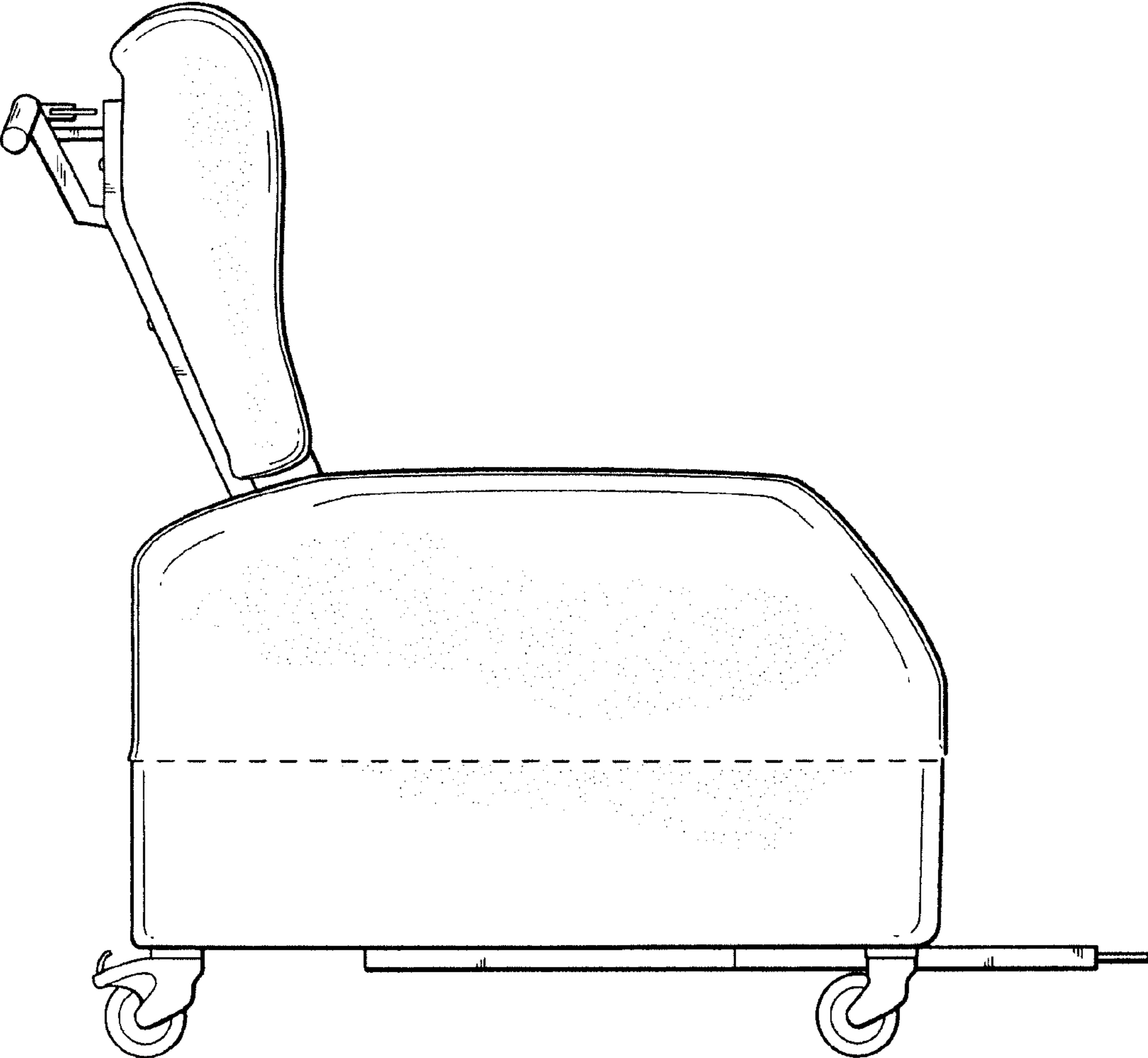


Fig. 3

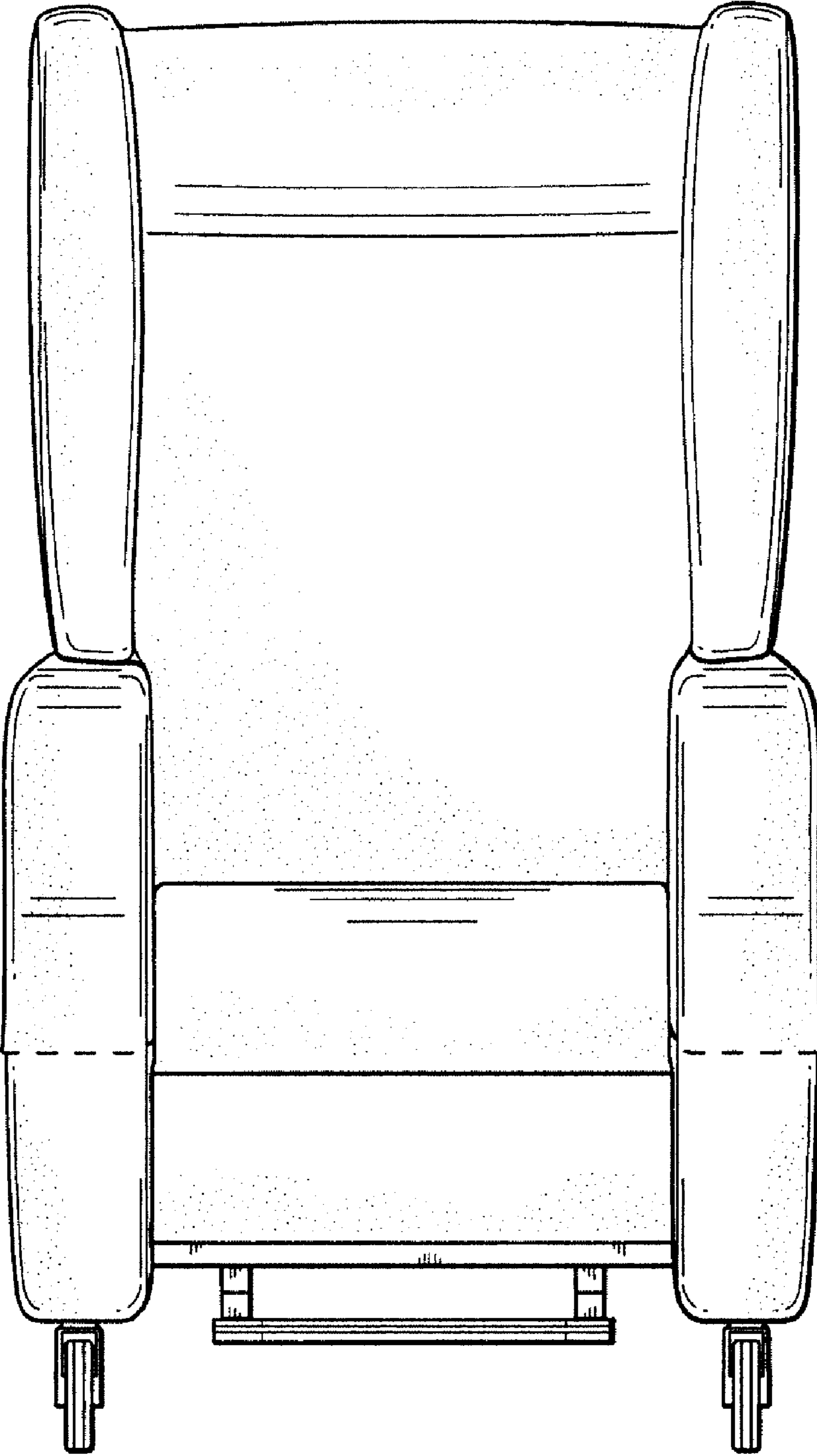


Fig. 4

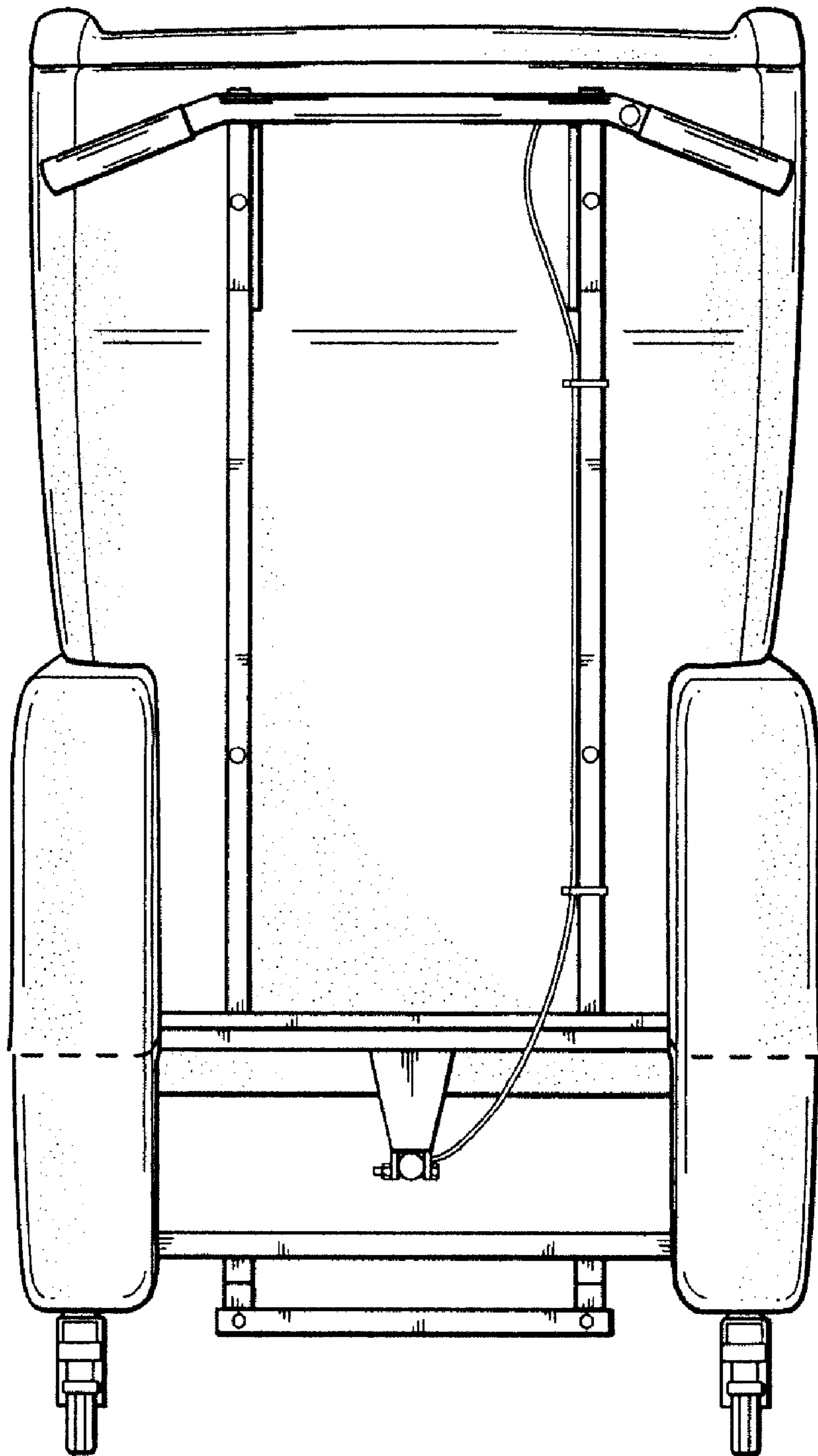


Fig. 5

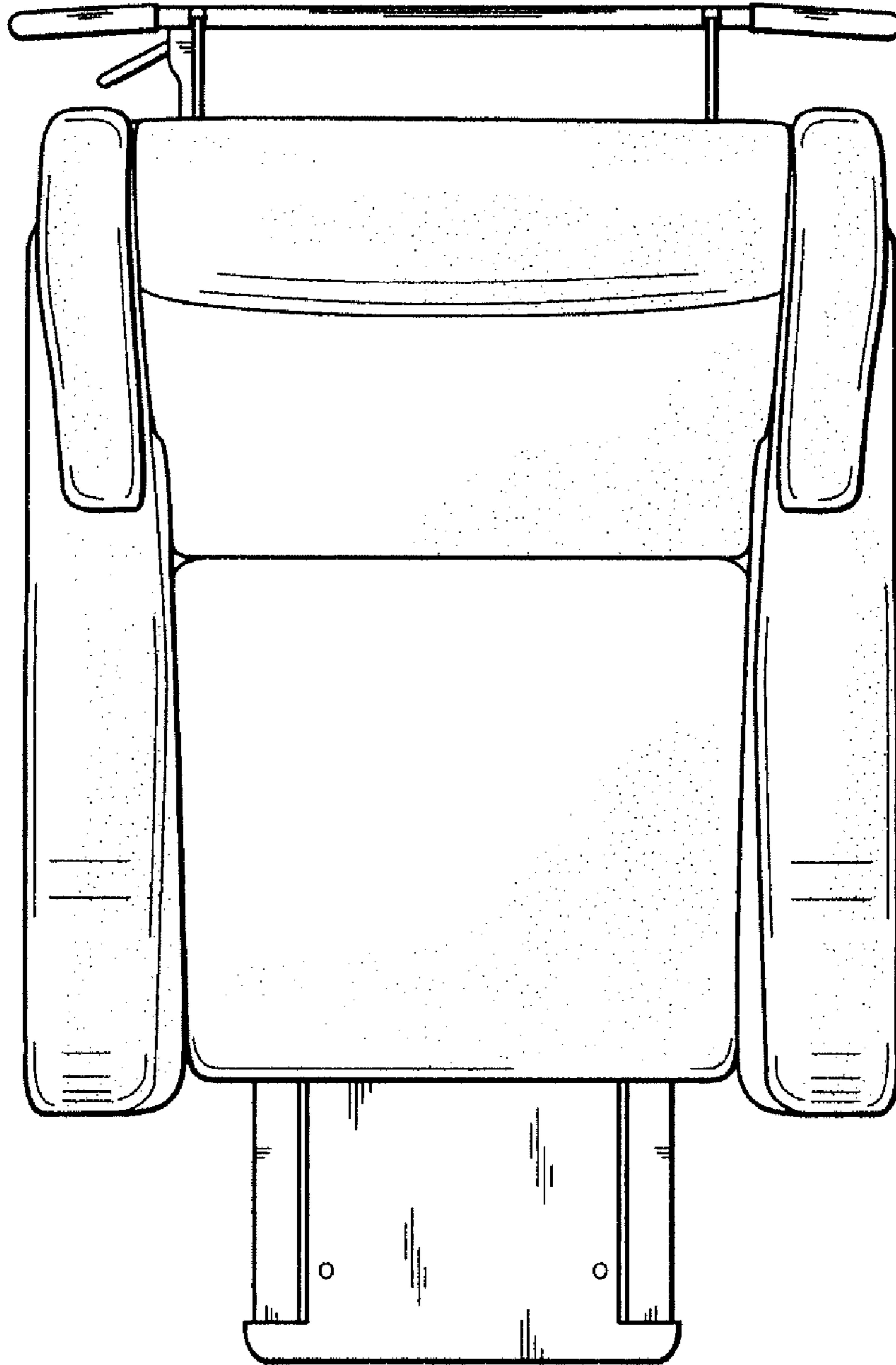


Fig. 6

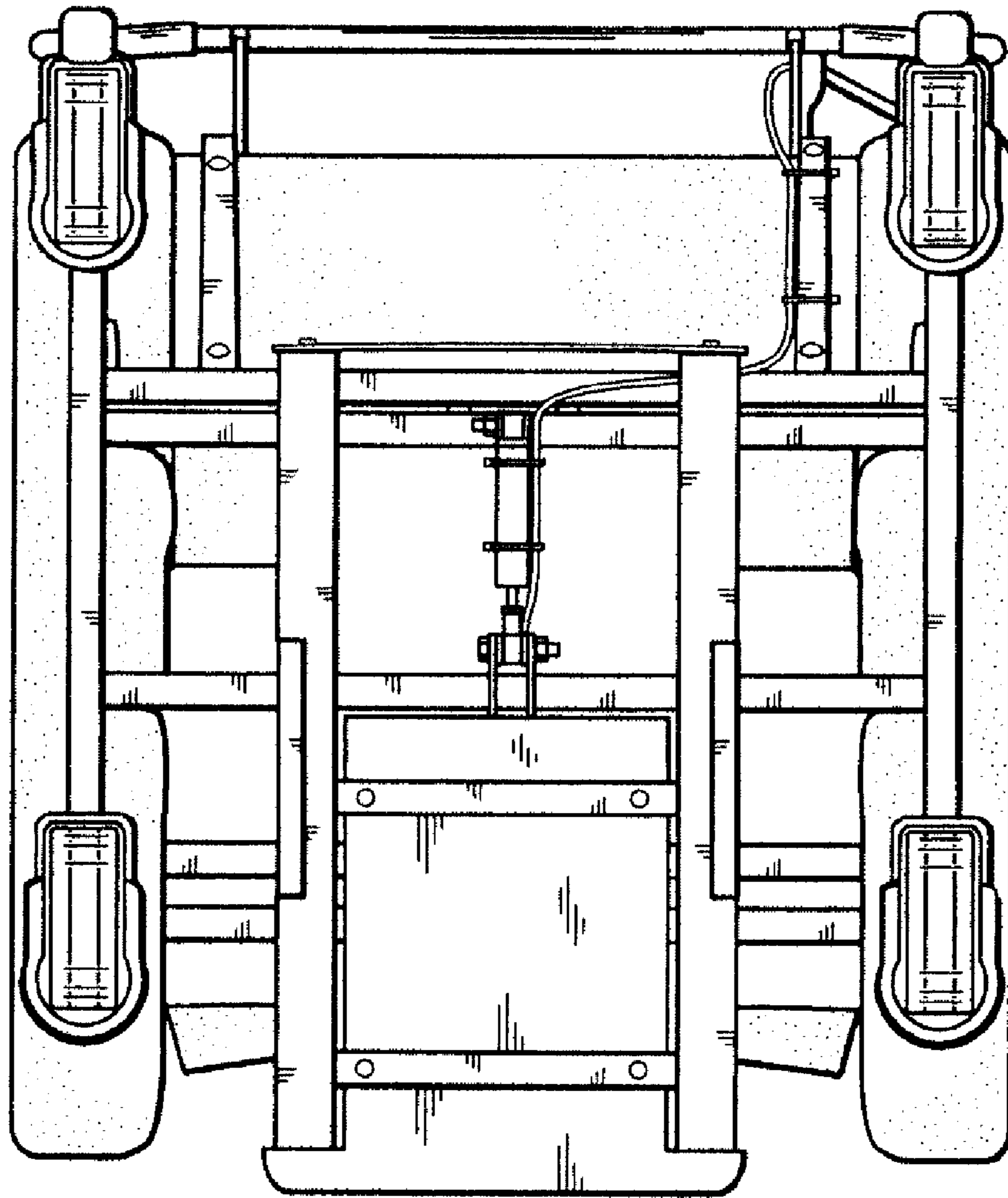


Fig. 7