

US00D602703S

(12) **United States Design Patent**  
**Luxton et al.**

(10) **Patent No.:** **US D602,703 S**  
(45) **Date of Patent:** **\*\* Oct. 27, 2009**

(54) **PADDED SHOWER SEAT**

D501,611 S \* 2/2005 Self et al. .... D6/362  
D510,487 S \* 10/2005 Self et al. .... D6/362  
D591,521 S \* 5/2009 Luxton et al. .... D6/362

(75) Inventors: **Mark Ian Luxton**, Isle of Man (GB);  
**James Edward Self**, Isle of Man (GB);  
**Ian Felmeri**, Isle of Man (GB)

\* cited by examiner

(73) Assignee: **DLP Limited**, Douglas (IM)

*Primary Examiner*—Mimosa De

(\*\*) Term: **14 Years**

(74) *Attorney, Agent, or Firm*—Fleit Gibbons Gutman  
Bongini & Bianco PL; Martin Fliet; Paul D. Bianco

(21) Appl. No.: **29/327,065**

(57) **CLAIM**

(22) Filed: **Oct. 30, 2008**

The ornamental design for a padded shower seat, as shown  
and described.

(30) **Foreign Application Priority Data**

Oct. 10, 2008 (EM) ..... 001020804-0001

**DESCRIPTION**

(51) **LOC (9) Cl.** ..... **06-01**

(52) **U.S. Cl.** ..... **D6/362**

(58) **Field of Classification Search** ..... D6/334-336,  
D6/349, 355, 362, 368, 370, 378, 379, 500-502,  
D6/553, 555, 567; 297/4, 14, 16.1, 130,  
297/252, 256.1, 331, 452.63, 411.25, 411.3,  
297/411.32, 451.3; 4/578.1, 579, 611, 614;  
108/44, 116, 129, 134; 248/220.1, 240, 240.1  
See application file for complete search history.

FIG. 1 is a perspective view of a padded shower seat, showing  
our new design;

FIG. 2 is an elevational view from one side of the padded  
shower seat, as shown in FIG. 1, the other side matches;

FIG. 3 is a plan view from above of the padded shower seat,  
shown in FIG. 1;

FIG. 4 is a rear view of the padded shower seat;

FIG. 5 is a plan view from below of the padded shower seat;  
and,

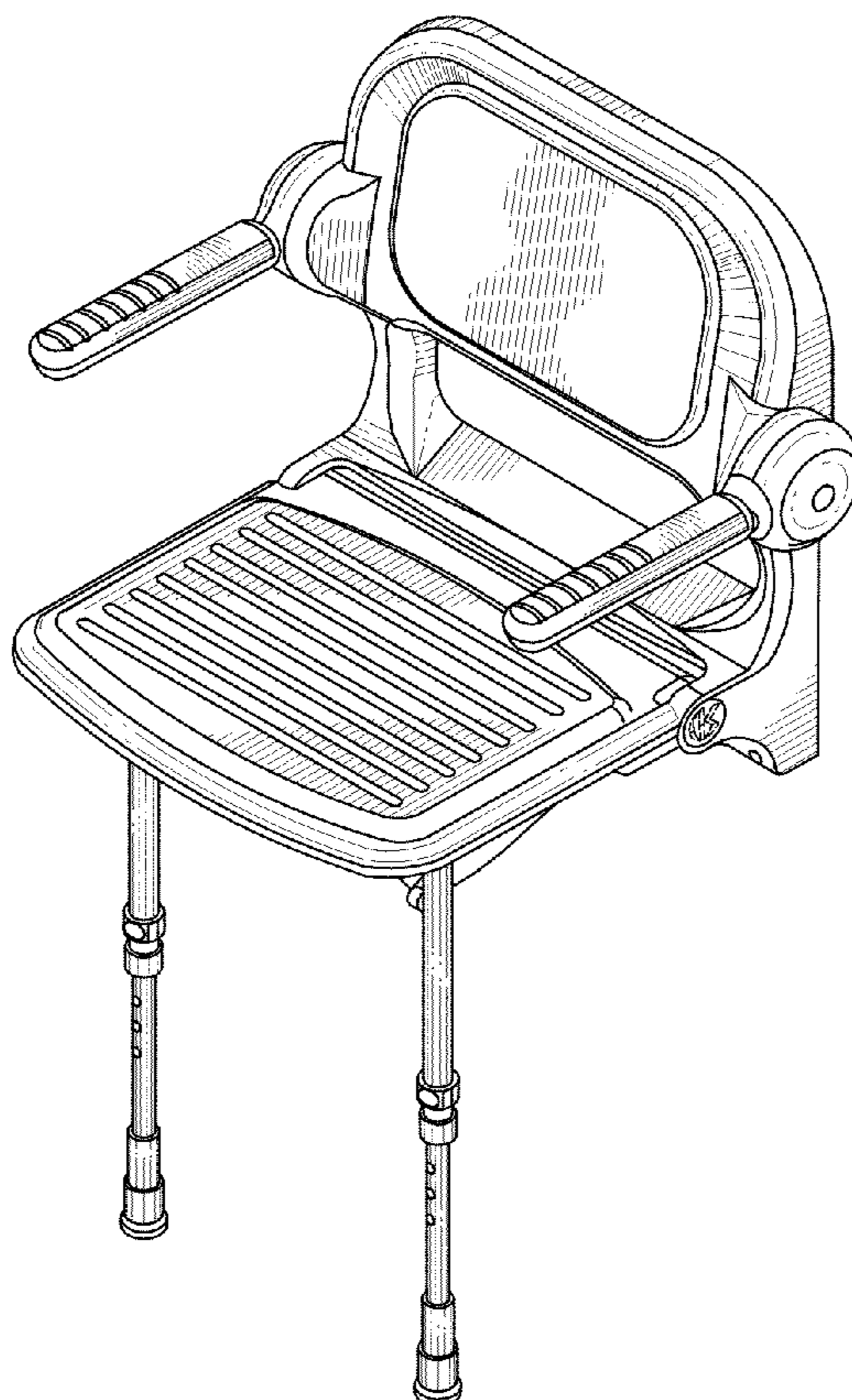
FIG. 6 is a front view of the padded shower seat.

(56) **References Cited**

**U.S. PATENT DOCUMENTS**

D494,767 S \* 8/2004 Self et al. .... D6/362

**1 Claim, 6 Drawing Sheets**



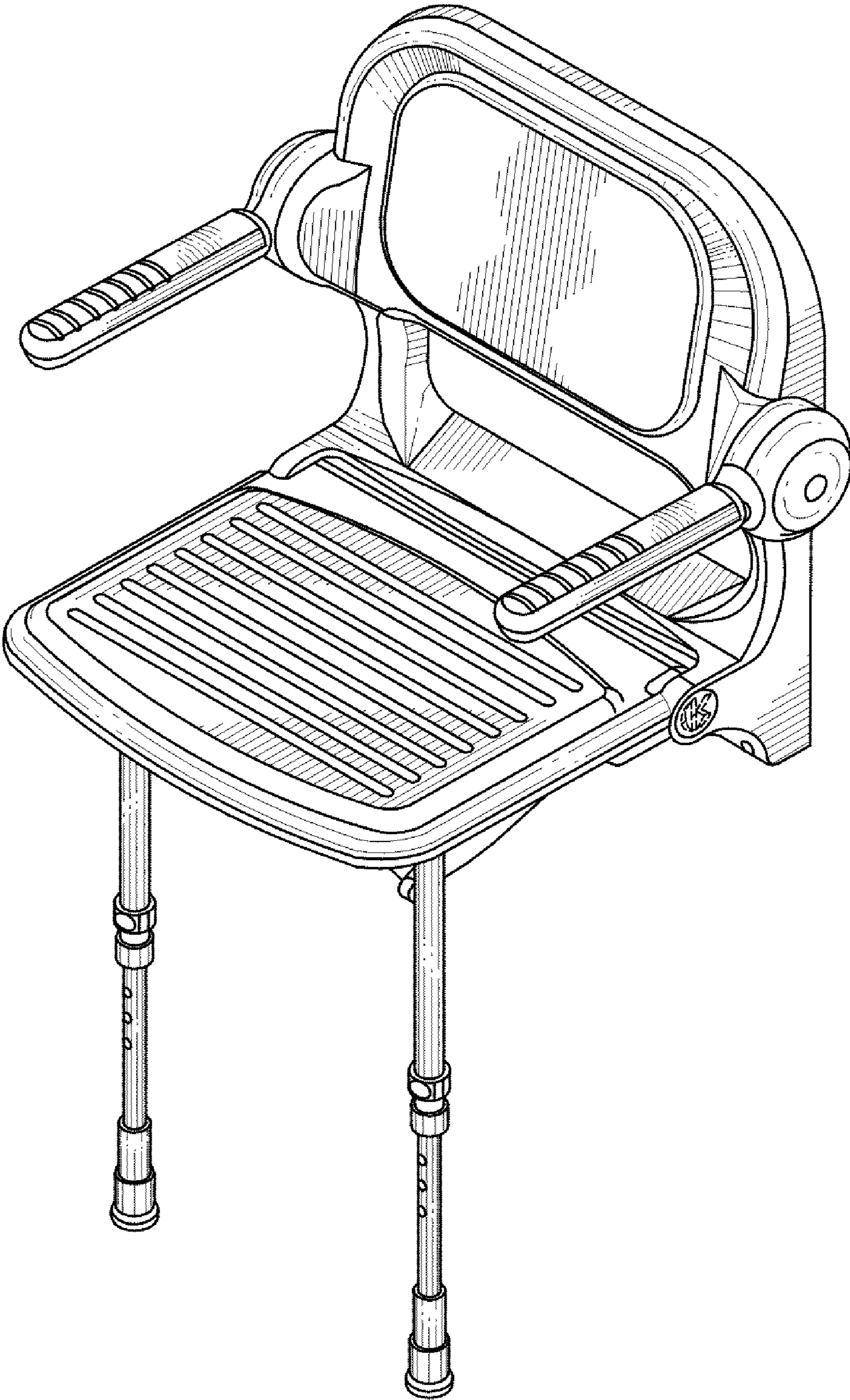


FIG. 1

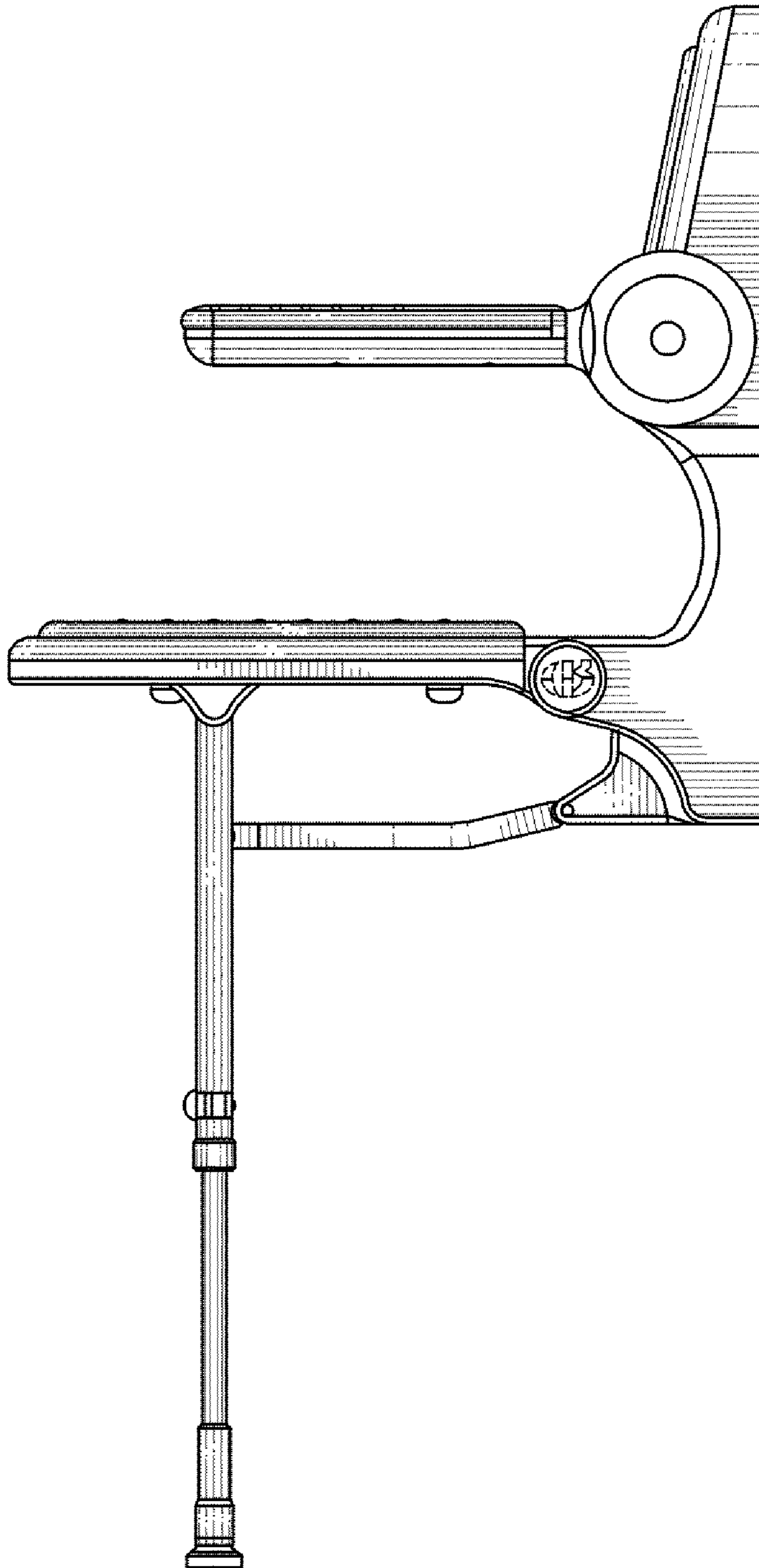


FIG. 2



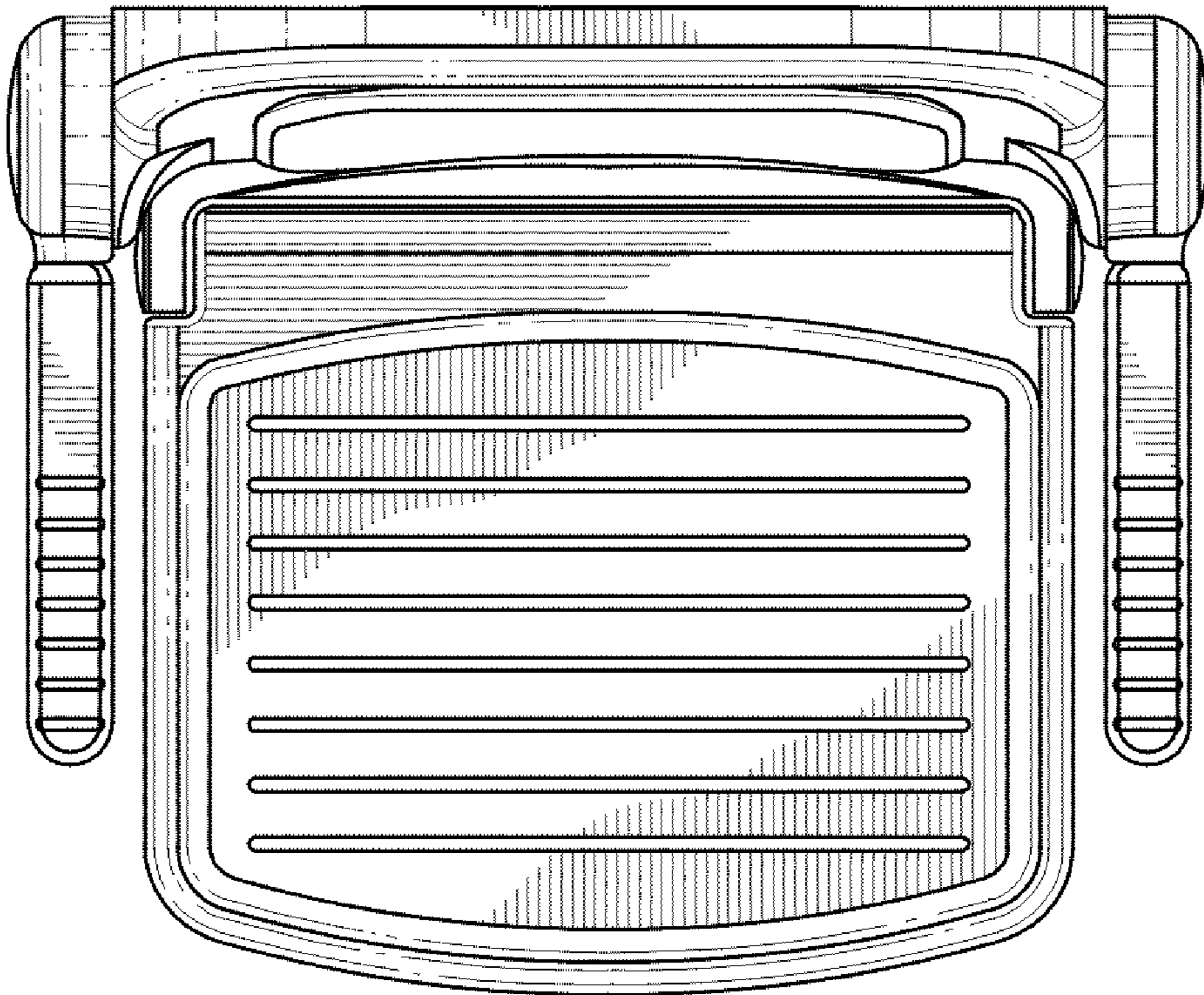


FIG. 3

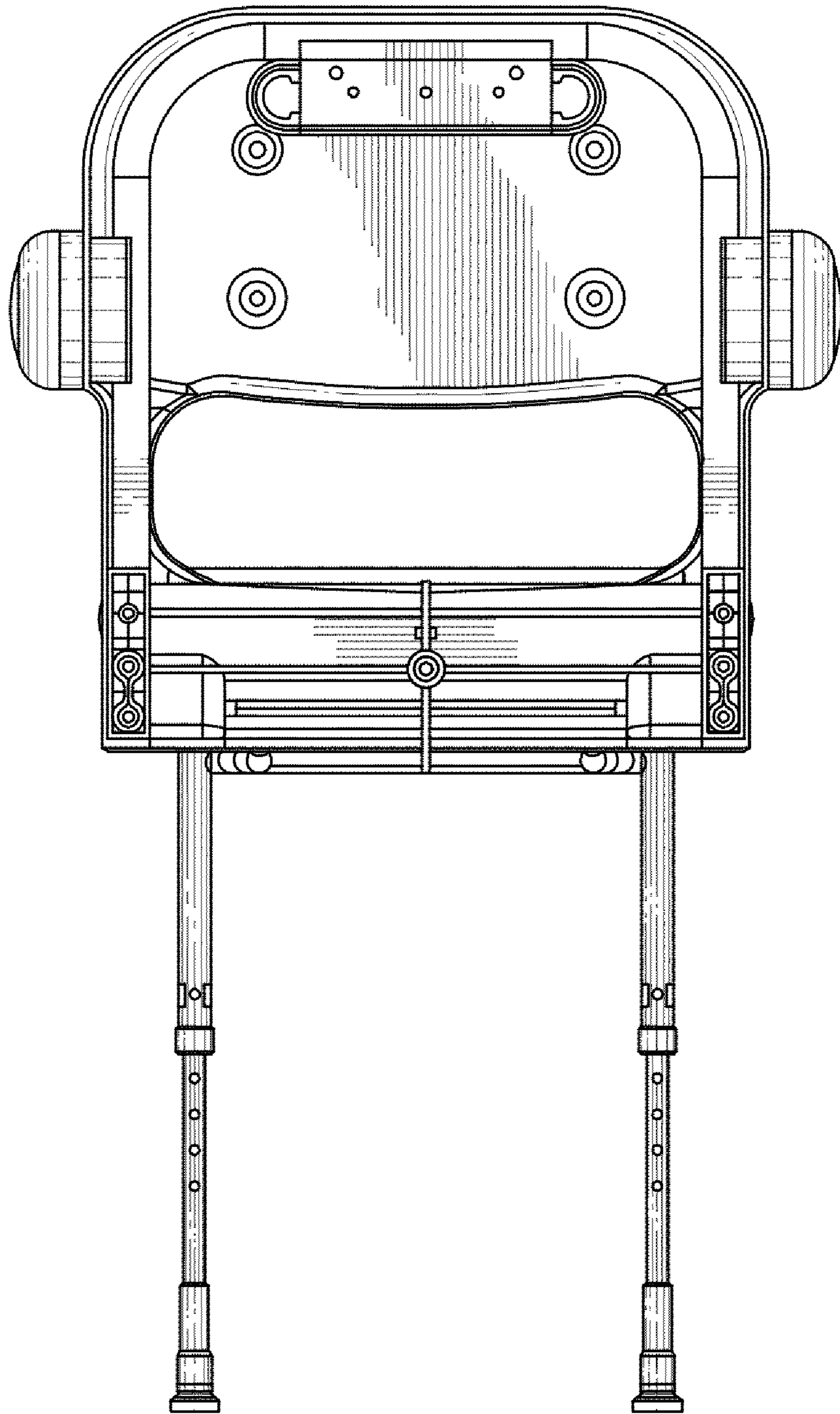


FIG.4

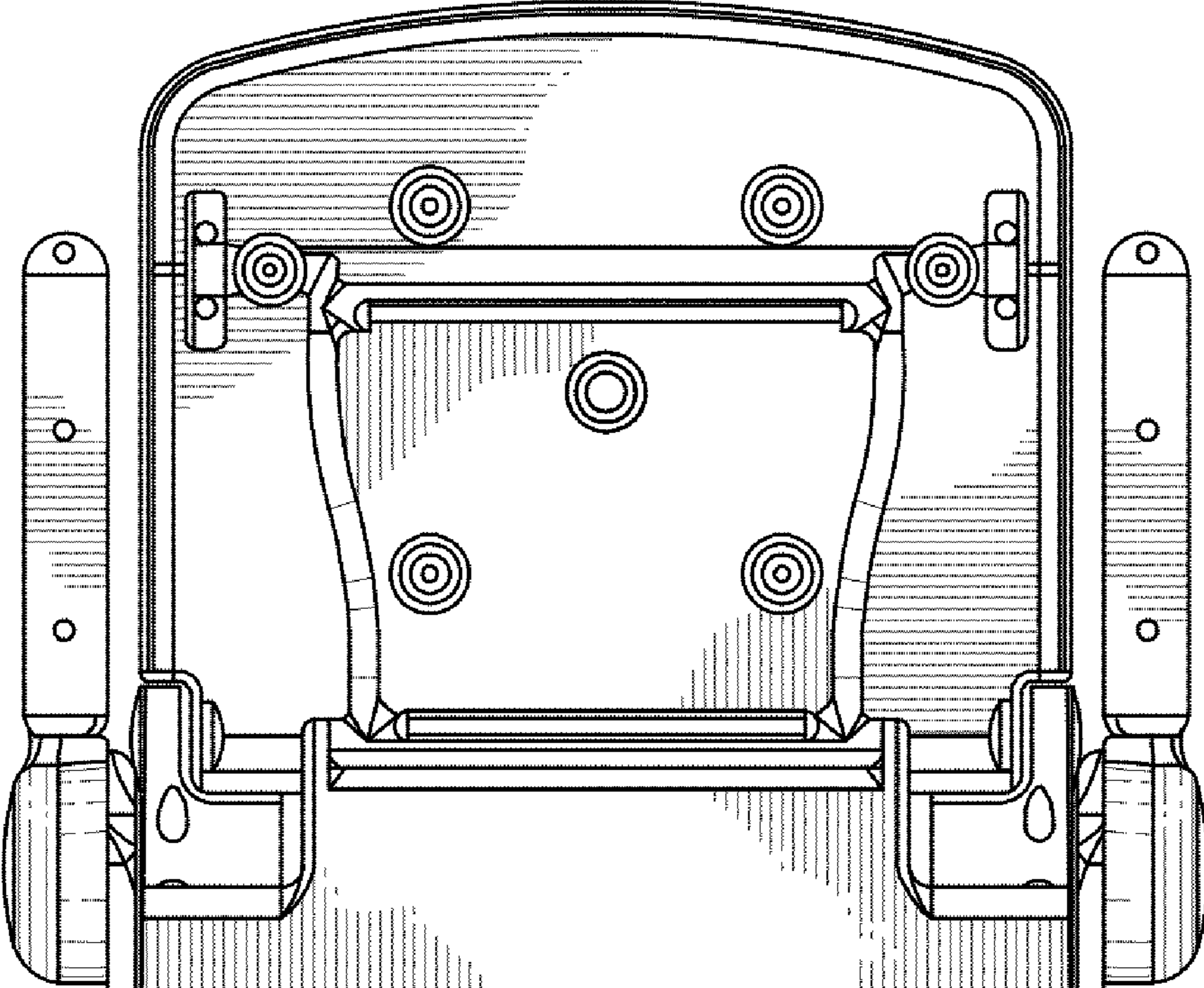


FIG. 5



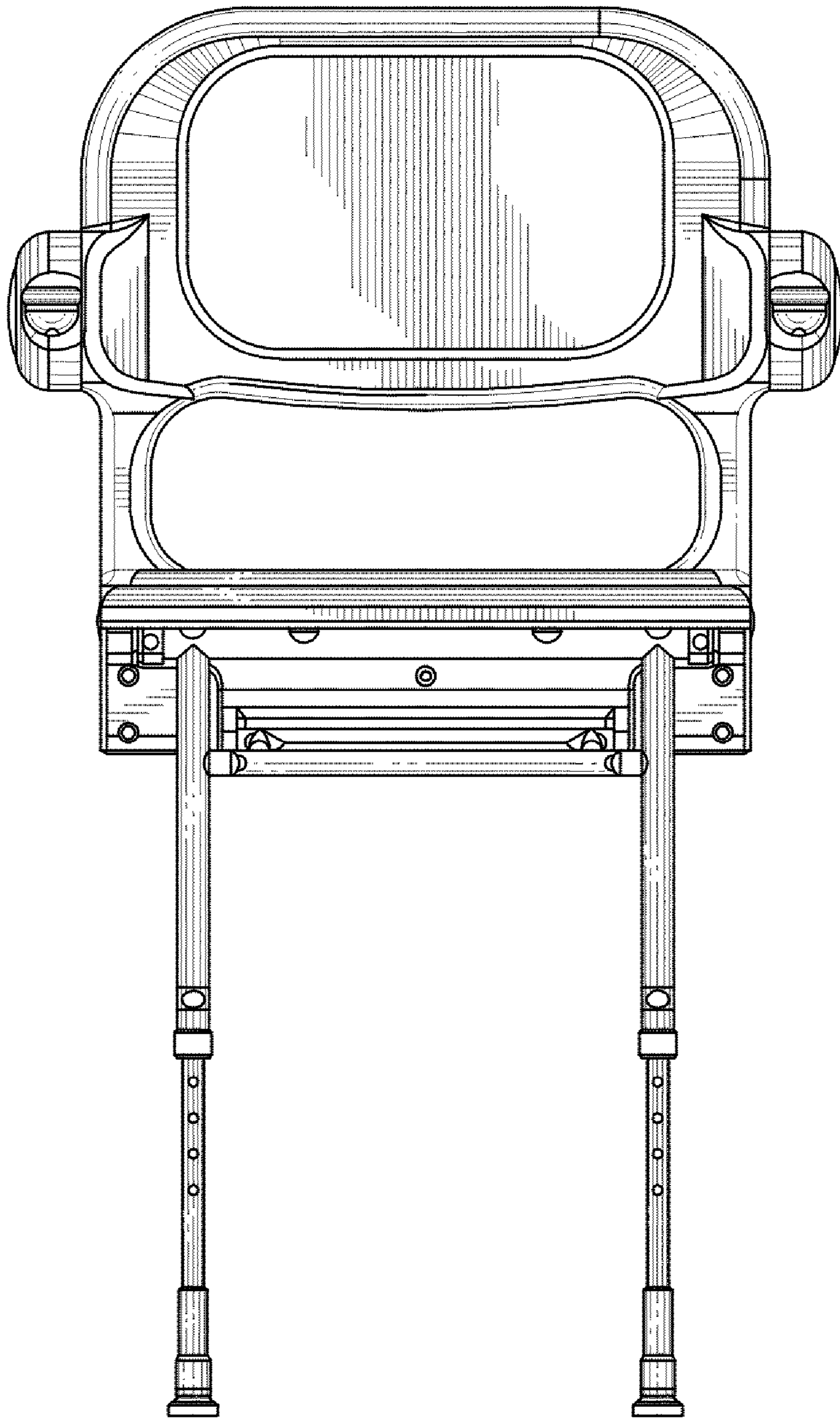


FIG. 6