

US00D602701S

(12) **United States Design Patent**  
**Martin et al.**

(10) **Patent No.:** **US D602,701 S**  
(45) **Date of Patent:** **\*\* Oct. 27, 2009**

(54) **SEATING UNIT**

(75) Inventors: **Kirt D. Martin**, Alto, MI (US); **David C. Eberlein**, Hudsonville, MI (US)

(73) Assignee: **Steelcase Inc.**, Grand Rapids, MI (US)

(\*\*) Term: **14 Years**

(21) Appl. No.: **29/336,694**

(22) Filed: **May 7, 2009**

(51) **LOC (9) Cl.** ..... **06-01**

(52) **U.S. Cl.** ..... **D6/334**

(58) **Field of Classification Search** ..... D6/334,  
D6/336, 338, 349, 352, 363, 374, 375, 380,  
D6/381, 491, 492, 500-502; 297/175, 411.2,  
297/445.1, 446.1, 446.2, 447.1, 447.2, 448.1,  
297/451.2, 452.11, 452.29, 461, 462; 5/12.1,  
5/12.2

See application file for complete search history.

(56) **References Cited**

**U.S. PATENT DOCUMENTS**

D268,797 S \* 5/1983 Mascheroni ..... D6/371  
D272,968 S \* 3/1984 Fairaizen ..... D6/381  
D280,364 S \* 9/1985 Hopfer ..... D6/334

(Continued)

*Primary Examiner*—Sandra Snapp

(74) *Attorney, Agent, or Firm*—Price, Heneveld, Copper,  
DeWitt & Litton, LLP

(57) **CLAIM**

We claim the ornamental design for a seating unit, as shown  
and described.

**DESCRIPTION**

FIG. 1 is a perspective view of a first side of a first embodi-  
ment of a seating unit of the present invention;

FIG. 2 is a perspective view of a second side of the seating unit  
shown in FIG. 1;

FIG. 3 is a front view of the seating unit shown in FIG. 1;

FIG. 4 is a rear view of the seating unit shown in FIG. 1;

FIG. 5 is a first side view of the seating unit shown in FIG. 1;

FIG. 6 is a second side view of the seating unit shown in FIG.  
1;

FIG. 7 is a top view of the seating unit shown in FIG. 1;

FIG. 8 is a bottom view of the seating unit shown in FIG. 1;

FIG. 9 is a perspective view of a first side of a second embodi-  
ment of a seating unit of the present invention;

FIG. 10 is a perspective view of a second side of the seating  
unit shown in FIG. 9;

FIG. 11 is a front view of the seating unit shown in FIG. 9;

FIG. 12 is a rear view of the seating unit shown in FIG. 9;

FIG. 13 is a first side view of the seating unit shown in FIG. 9;

FIG. 14 is a second side view of the seating unit shown in FIG.  
9;

FIG. 15 is a top view of the seating unit shown in FIG. 9;

FIG. 16 is a bottom view of the seating unit shown in FIG. 9;

FIG. 17 is a perspective view of a first side of a third embodi-  
ment of a seating unit of the present invention;

FIG. 18 is a perspective view of a second side of the seating  
unit shown in FIG. 17;

FIG. 19 is a front view of the seating unit shown in FIG. 17;

FIG. 20 is a rear view of the seating unit shown in FIG. 17;

FIG. 21 is a first side view of the seating unit shown in FIG.  
17;

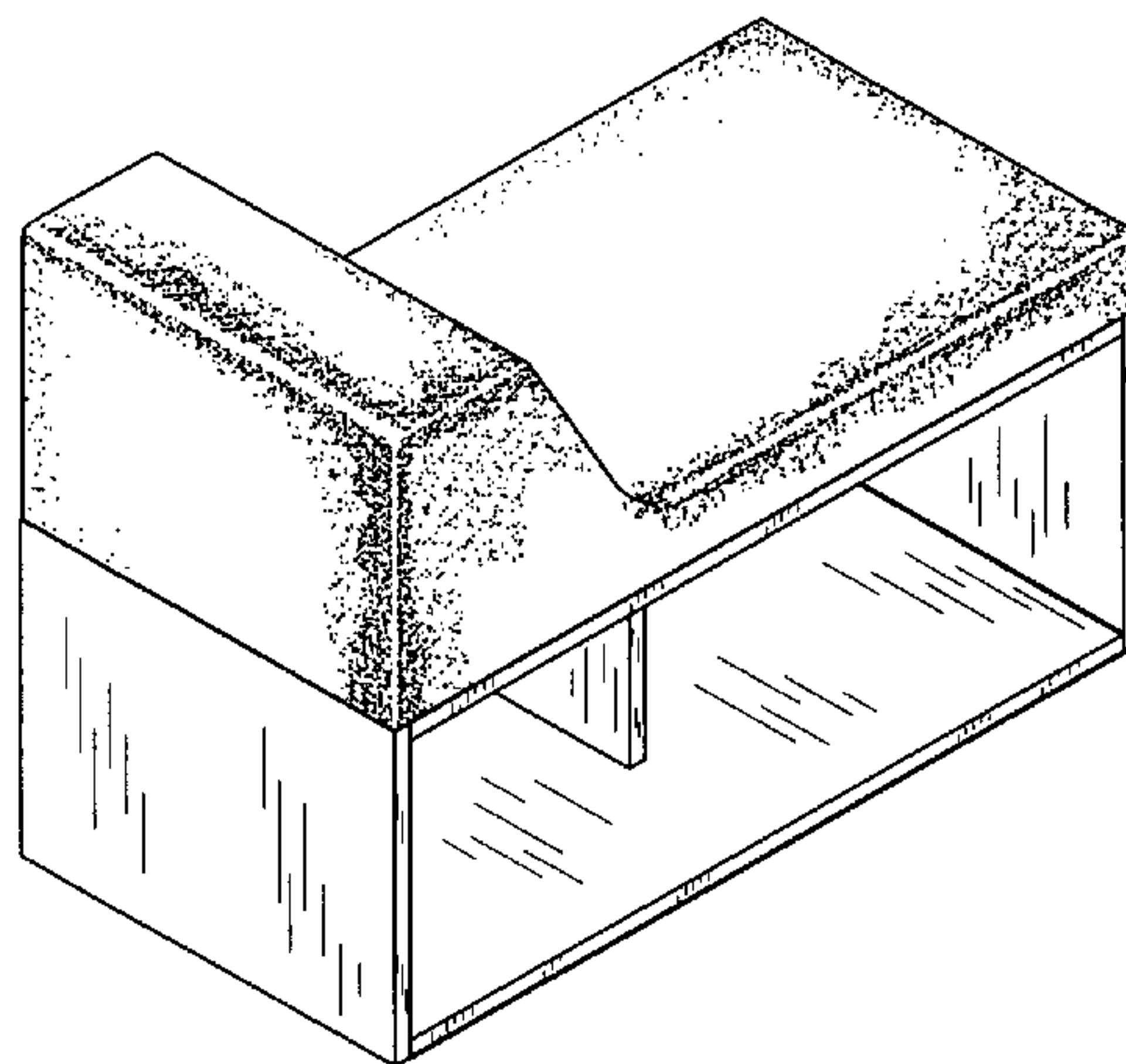
FIG. 22 is a second side view of the seating unit shown in FIG.  
17;

FIG. 23 is a top view of the seating unit shown in FIG. 17; and,

FIG. 24 is a bottom view of the seating unit shown in FIG. 17.

The dashed lines and broken lines show environment and are  
not part of the invention claimed.

**1 Claim, 9 Drawing Sheets**



# US D602,701 S

Page 2

---

## U.S. PATENT DOCUMENTS

D281,655 S *	12/1985	Carter .....	D6/334	D497,496 S *	10/2004	Stewart .....	D6/443
D313,893 S *	1/1991	Hopfer .....	D6/334	D497,737 S *	11/2004	Stewart .....	D6/443
D327,174 S *	6/1992	Hopfer .....	D6/334	D498,064 S *	11/2004	Gomez .....	D6/334
D335,035 S *	4/1993	Floyd .....	D6/361	D566,980 S *	4/2008	Mourgue .....	D6/381
D336,377 S *	6/1993	Gibson .....	D6/334	D575,963 S *	9/2008	Gomez .....	D6/381
D433,824 S *	11/2000	King .....	D6/334	D585,200 S *	1/2009	Lissoni .....	D6/334
D476,819 S *	7/2003	Williams et al. ....	D6/334				

\* cited by examiner

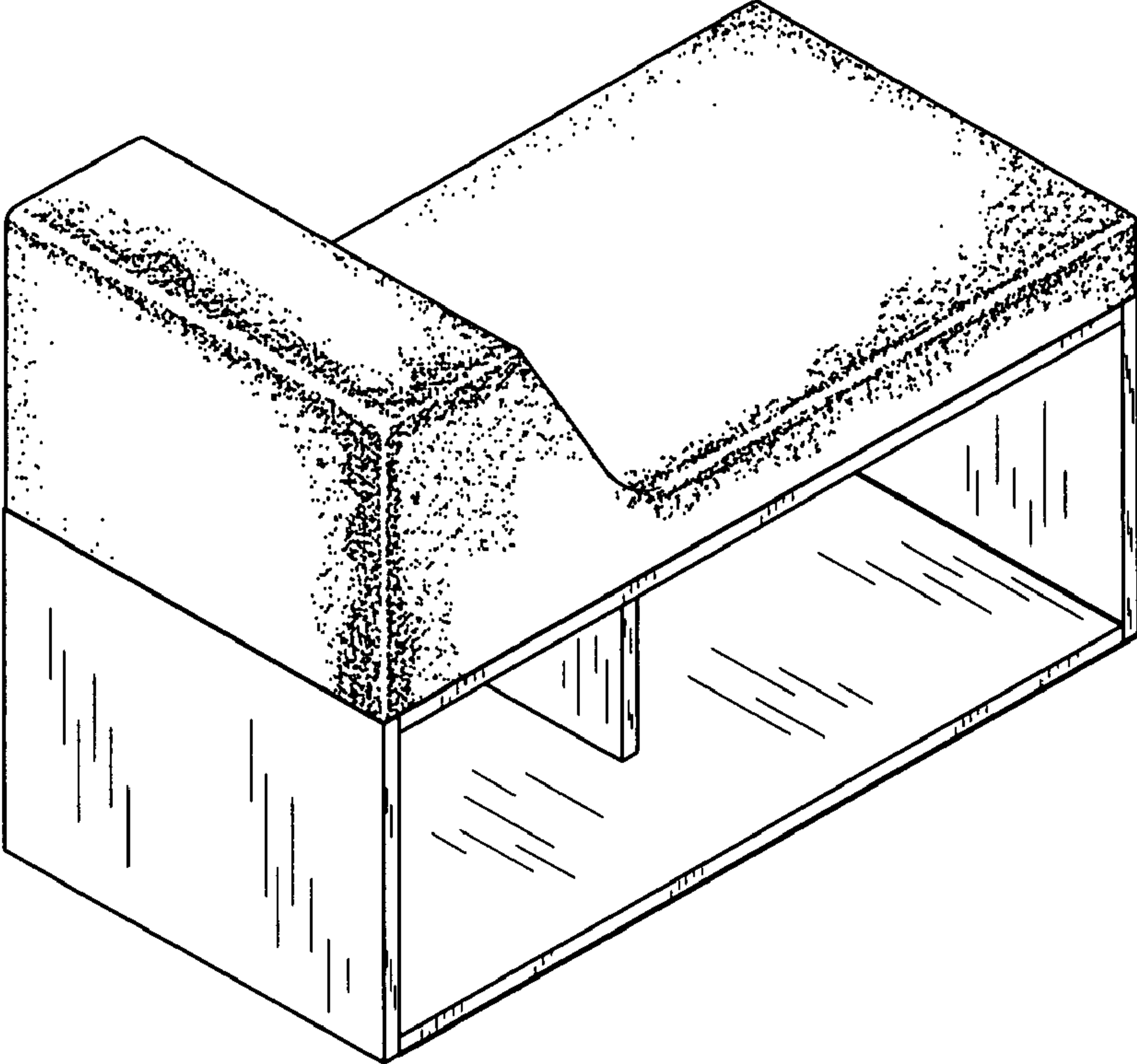


FIG. 1

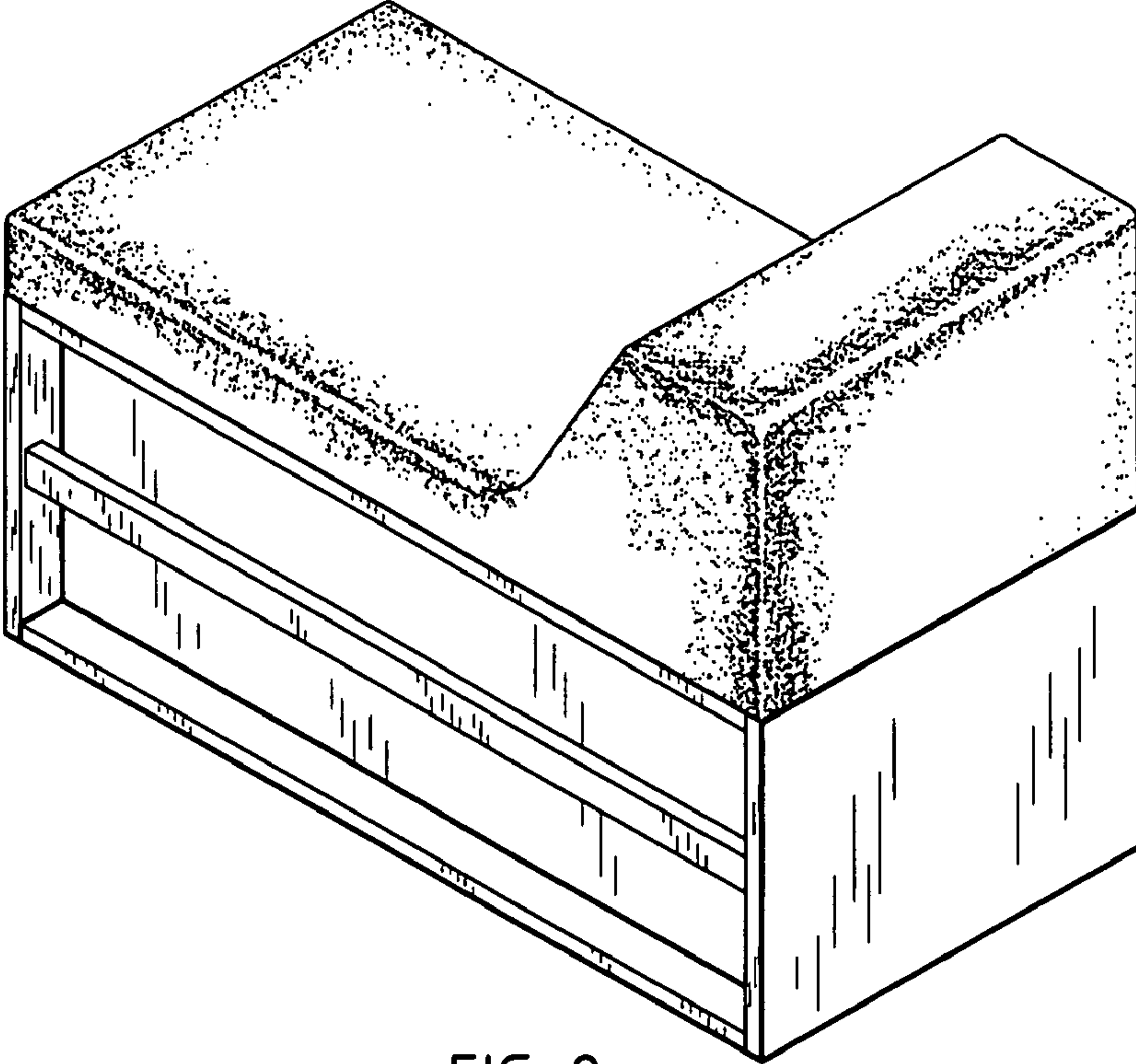


FIG. 2



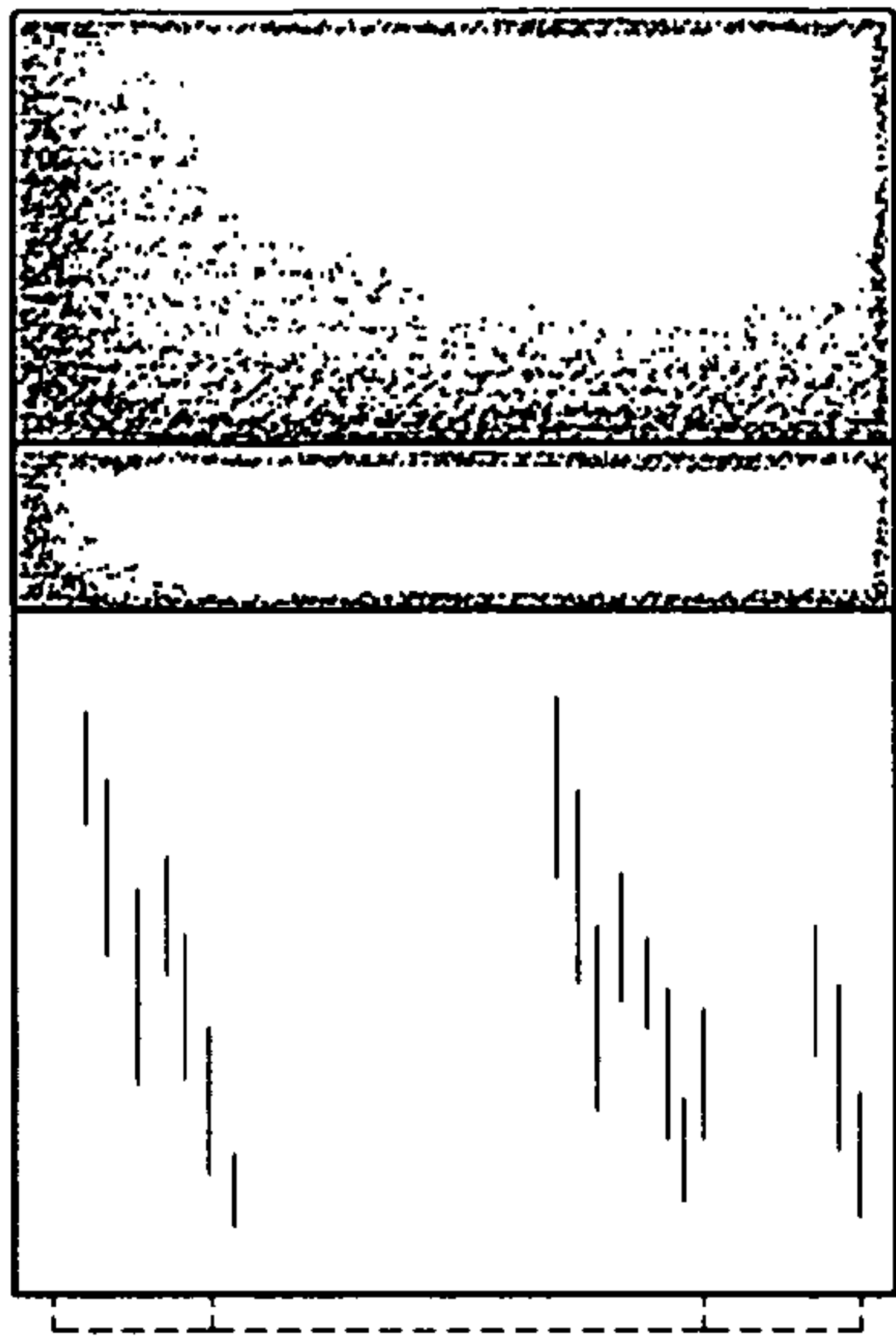


FIG. 3

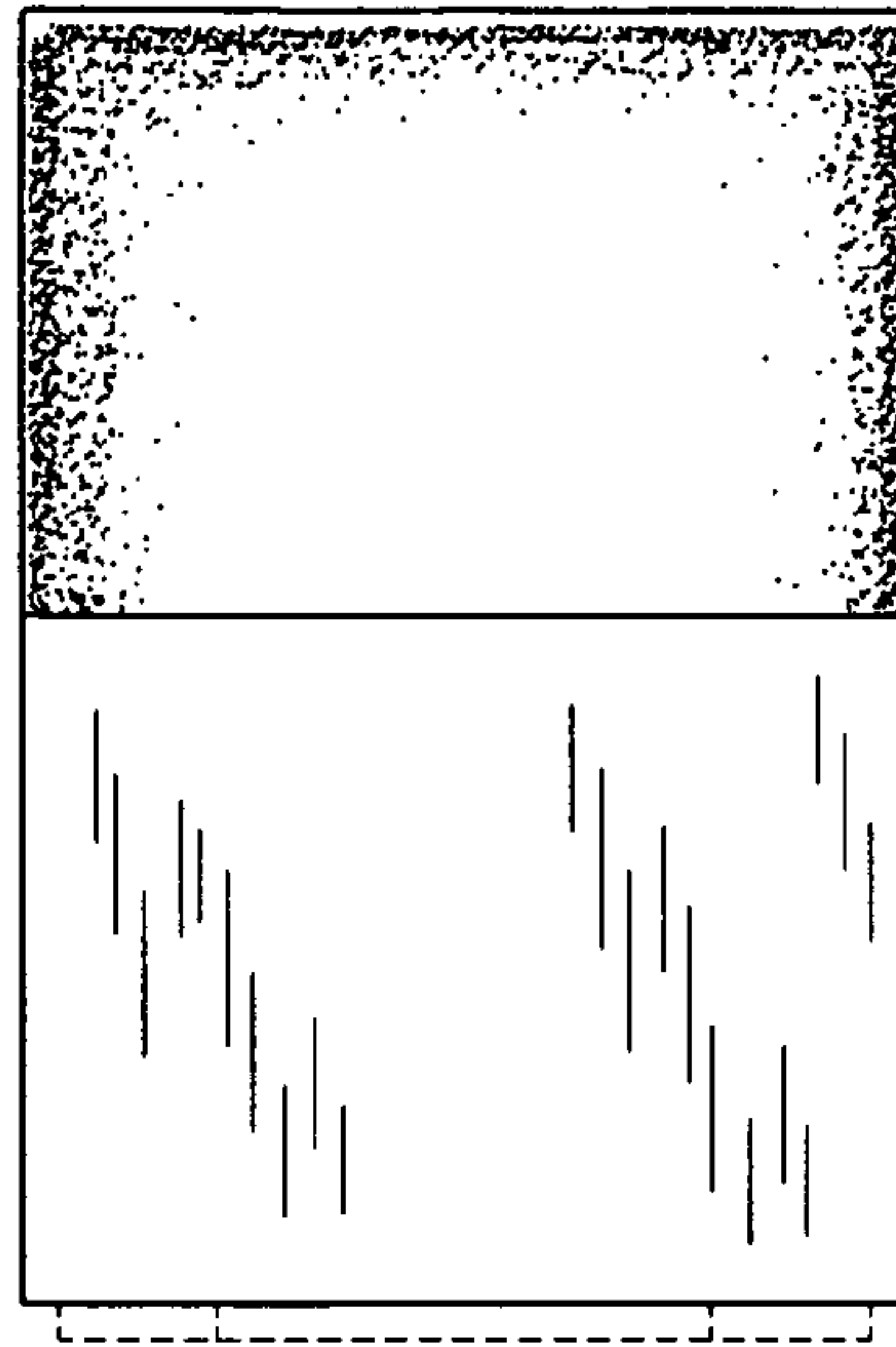


FIG. 4

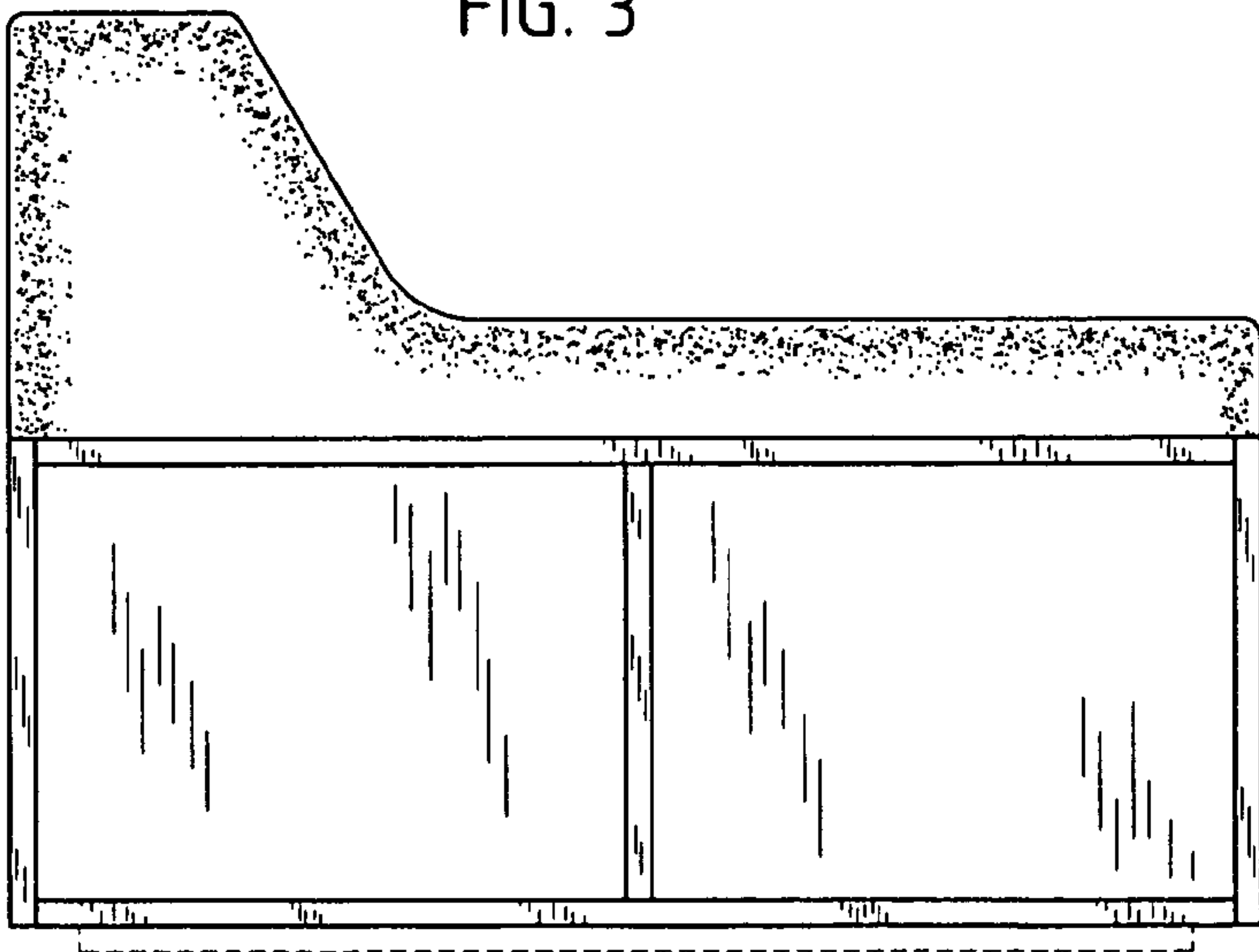


FIG. 5

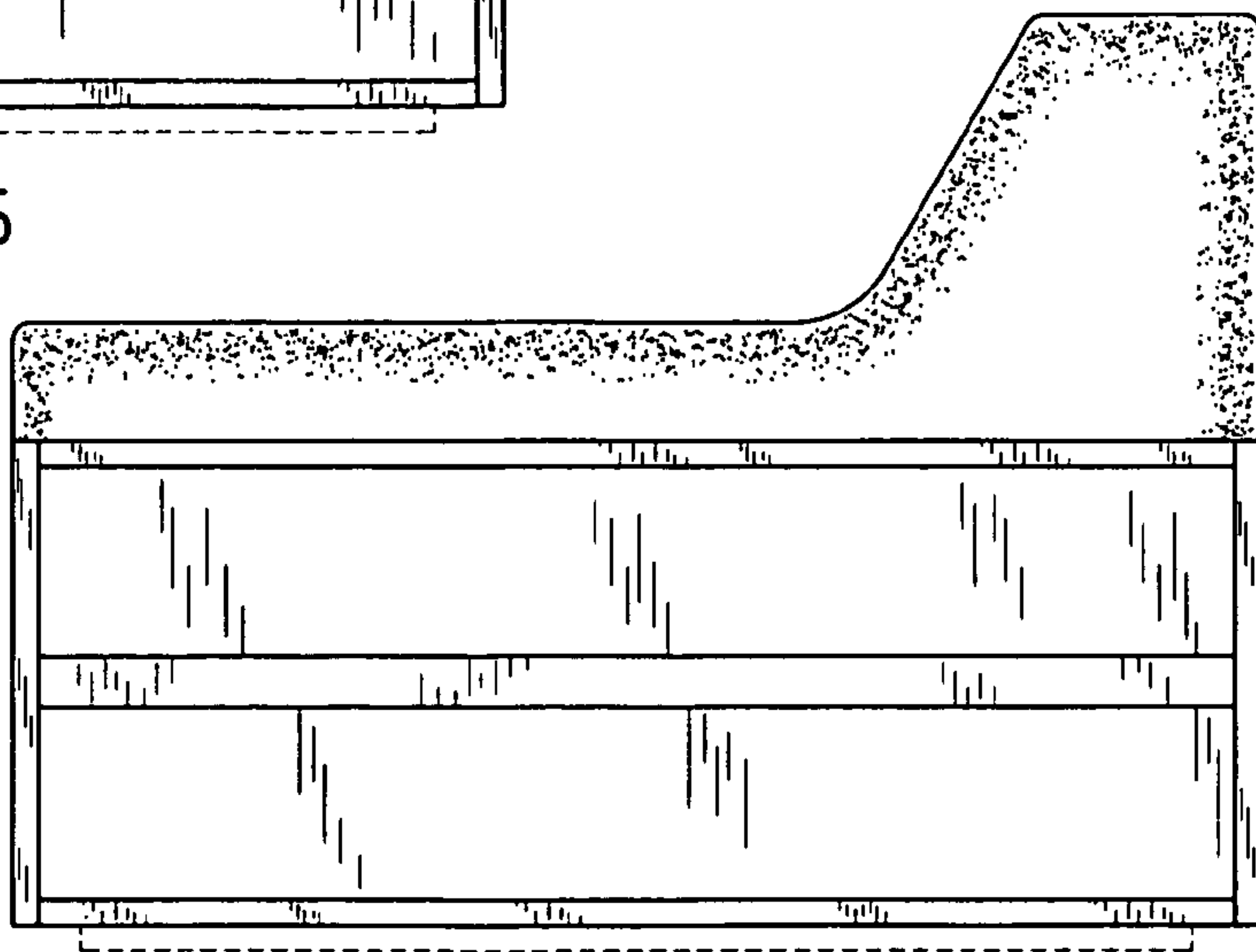


FIG. 6

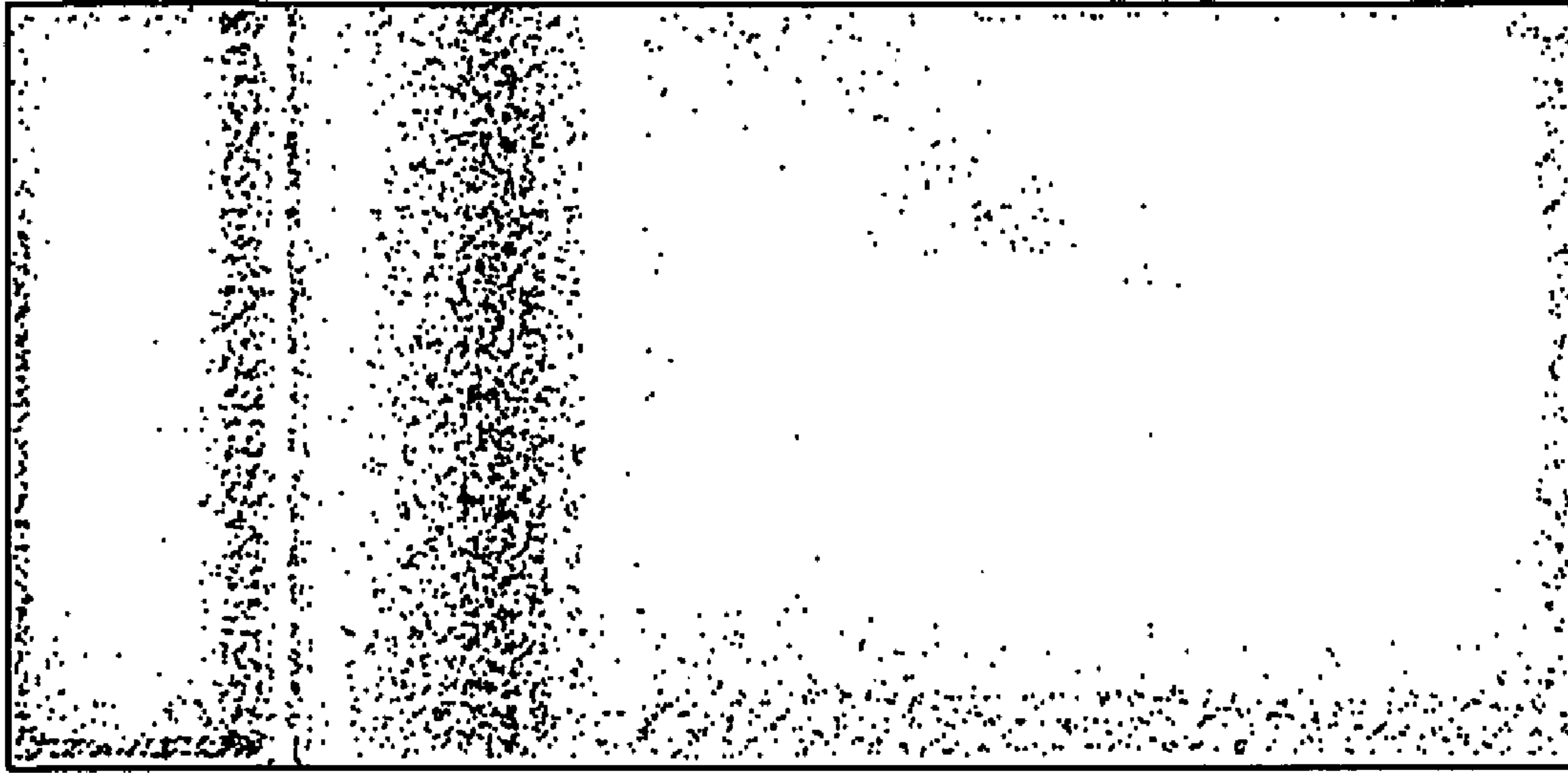


FIG. 7

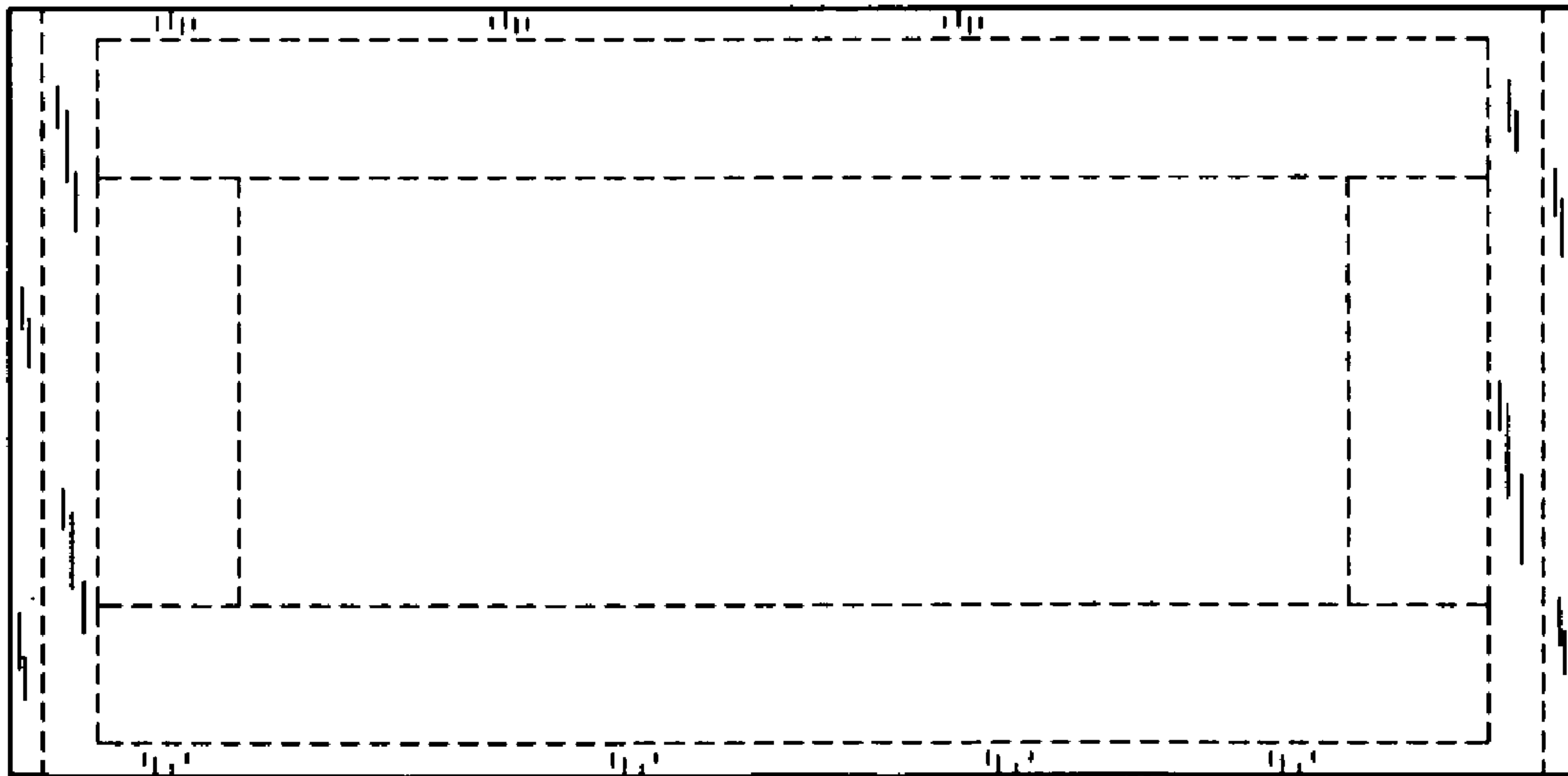


FIG. 8

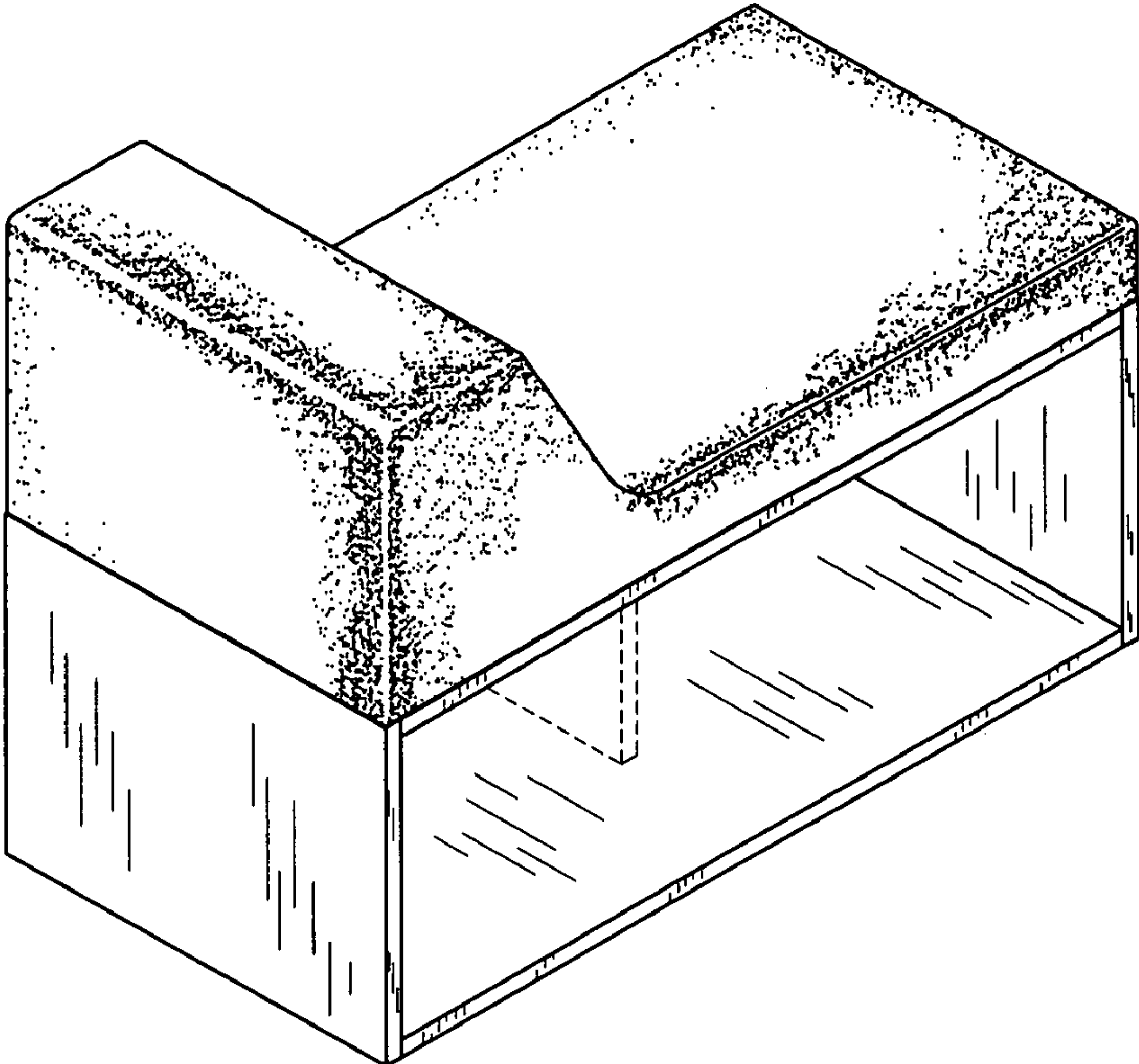


FIG. 9

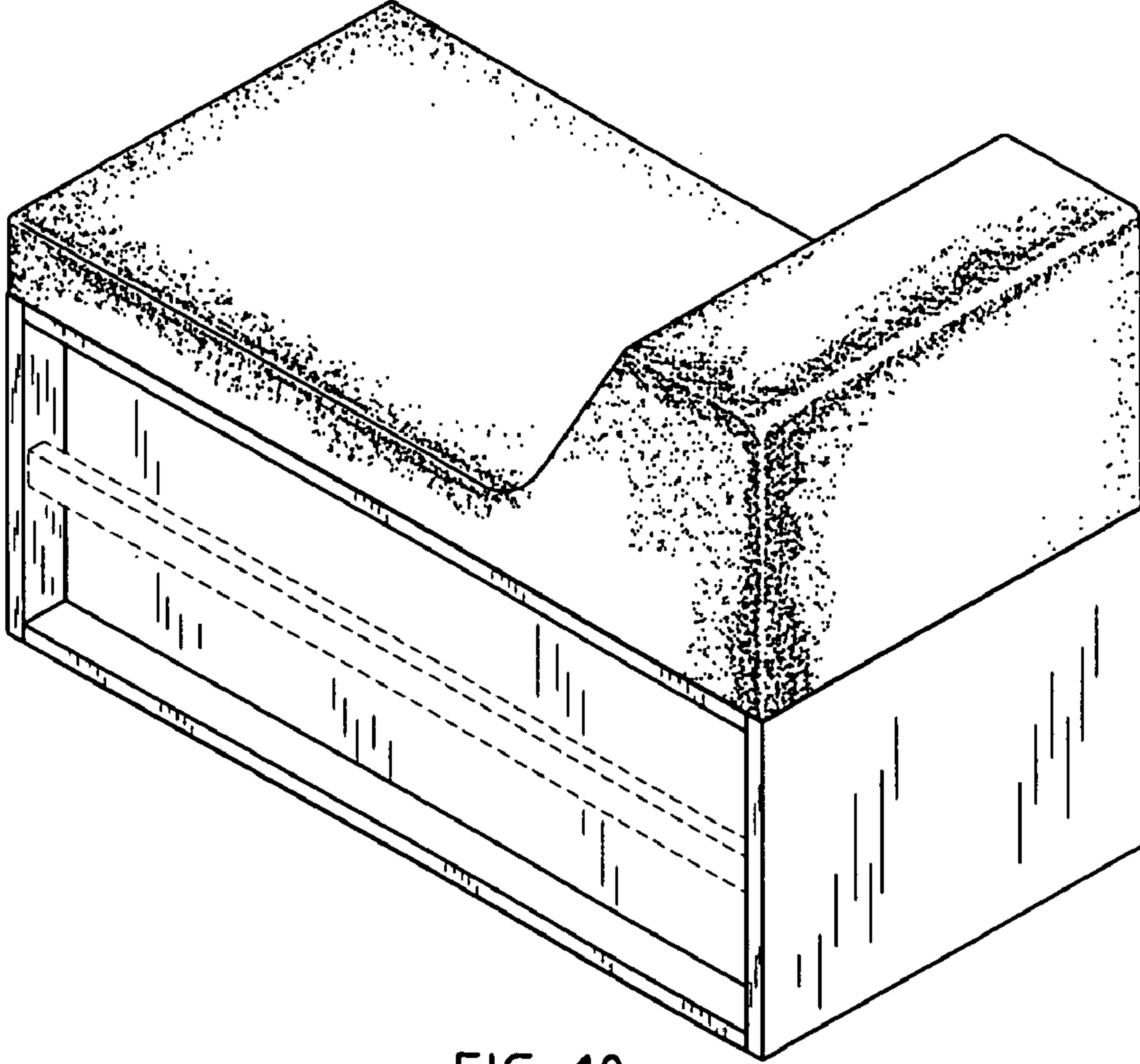


FIG. 10

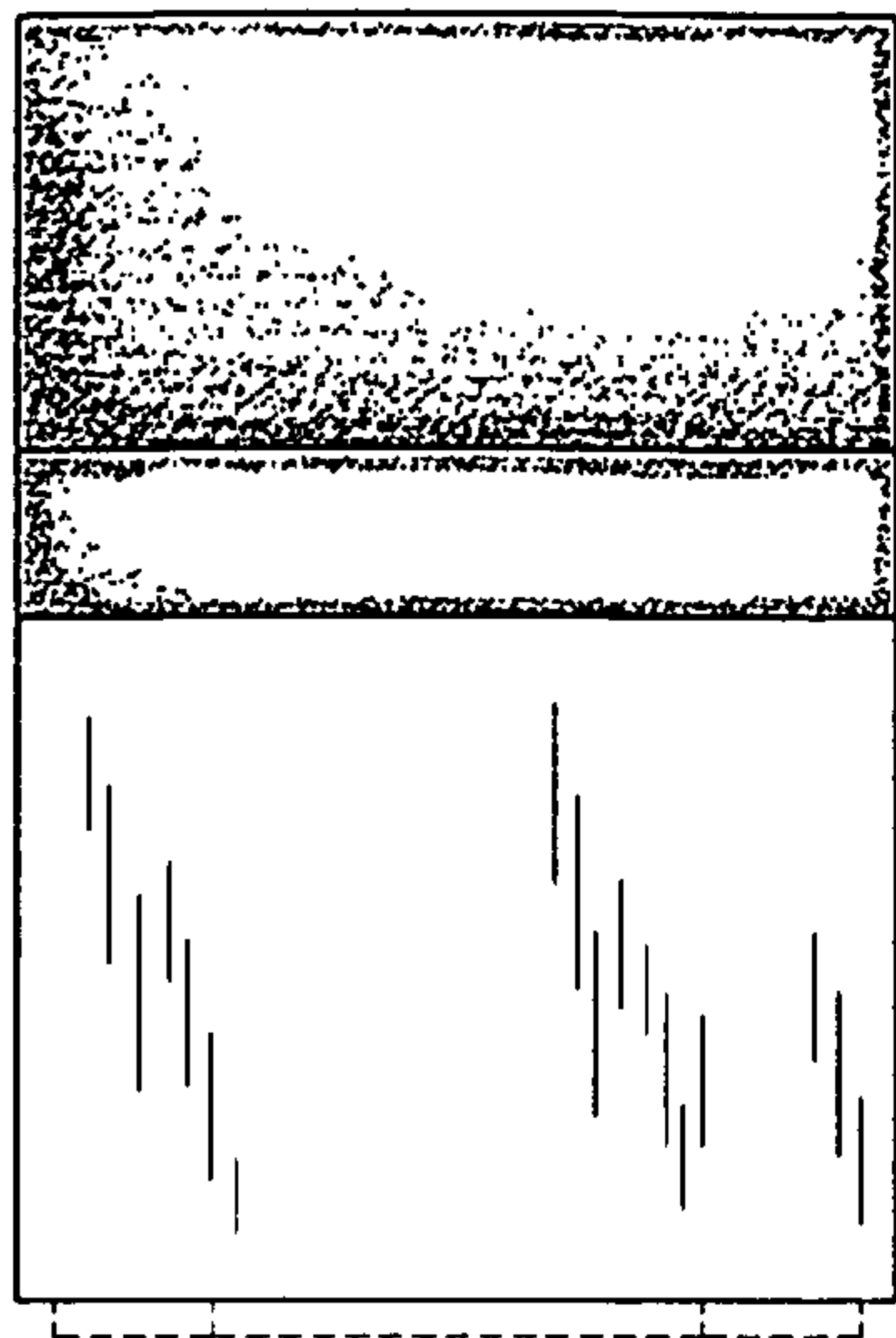


FIG. 11

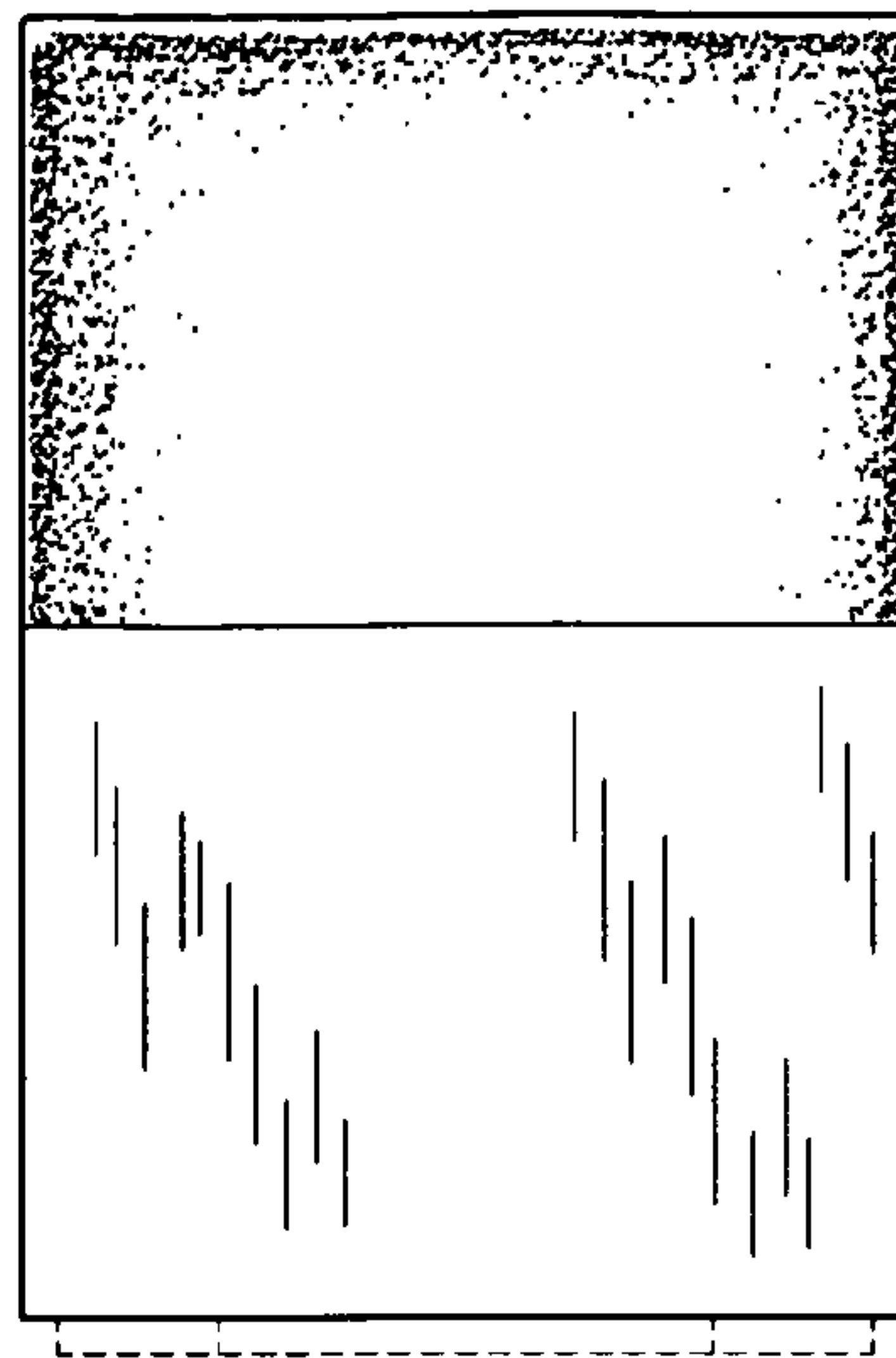


FIG. 12

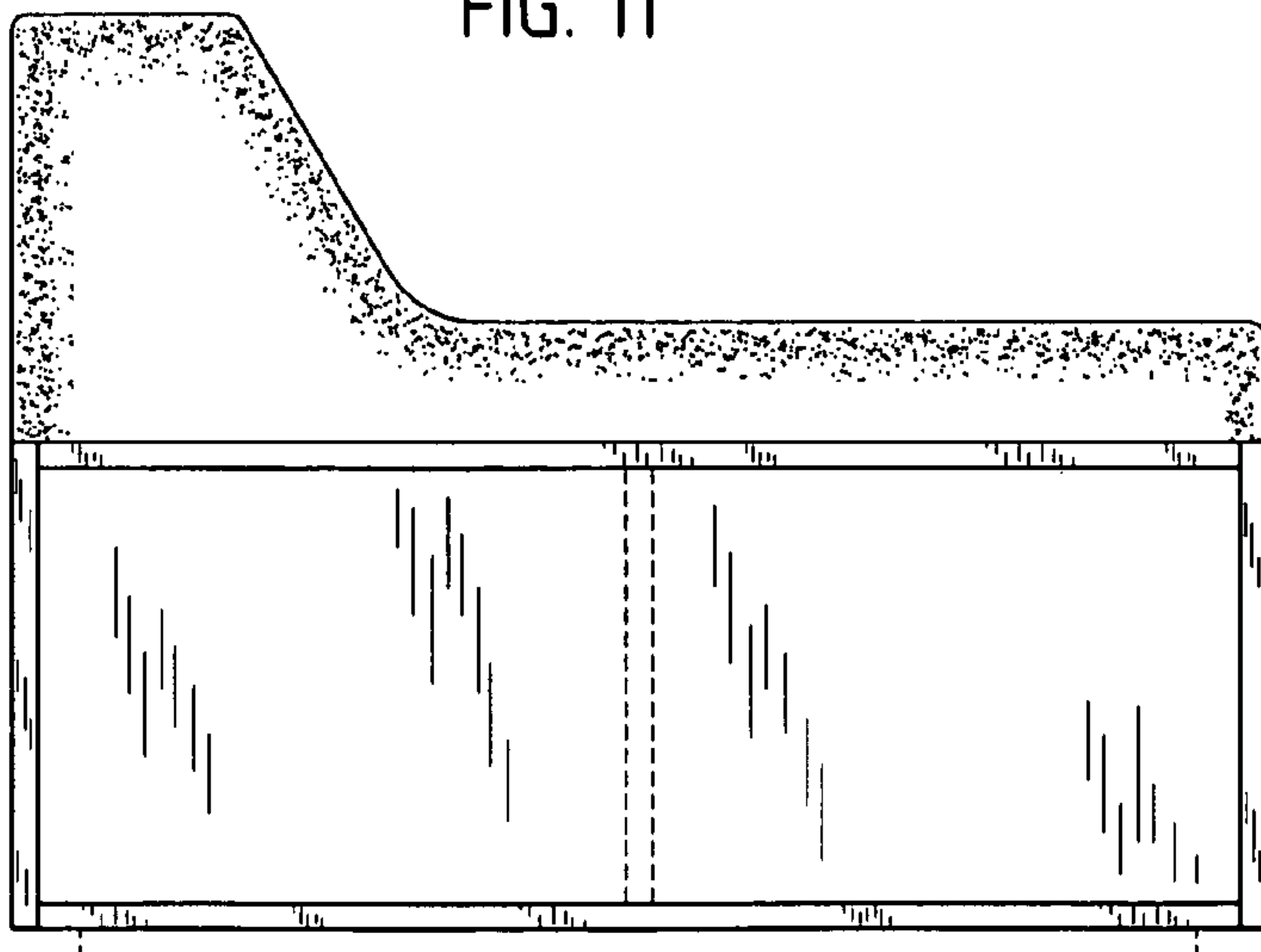


FIG. 13

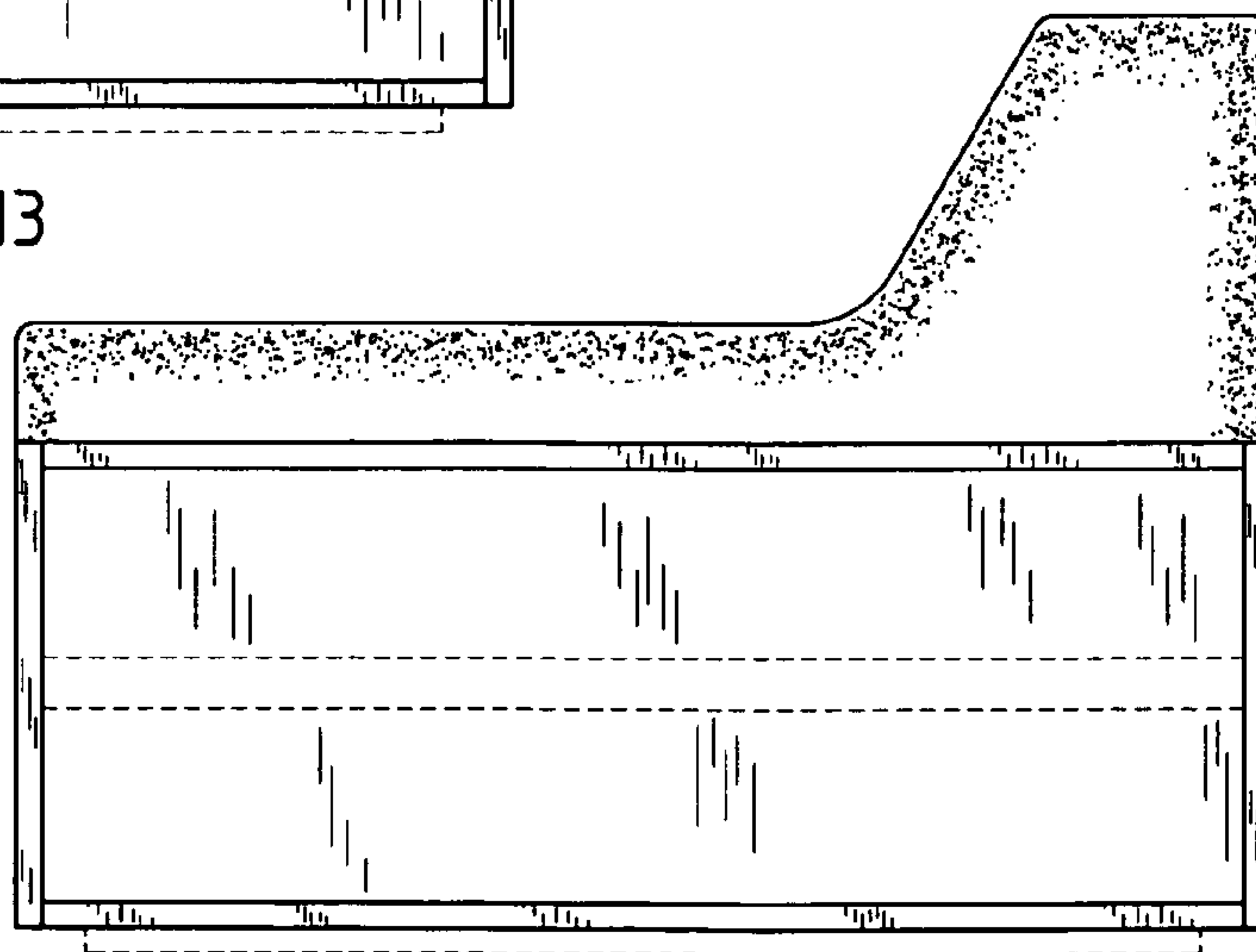


FIG. 14

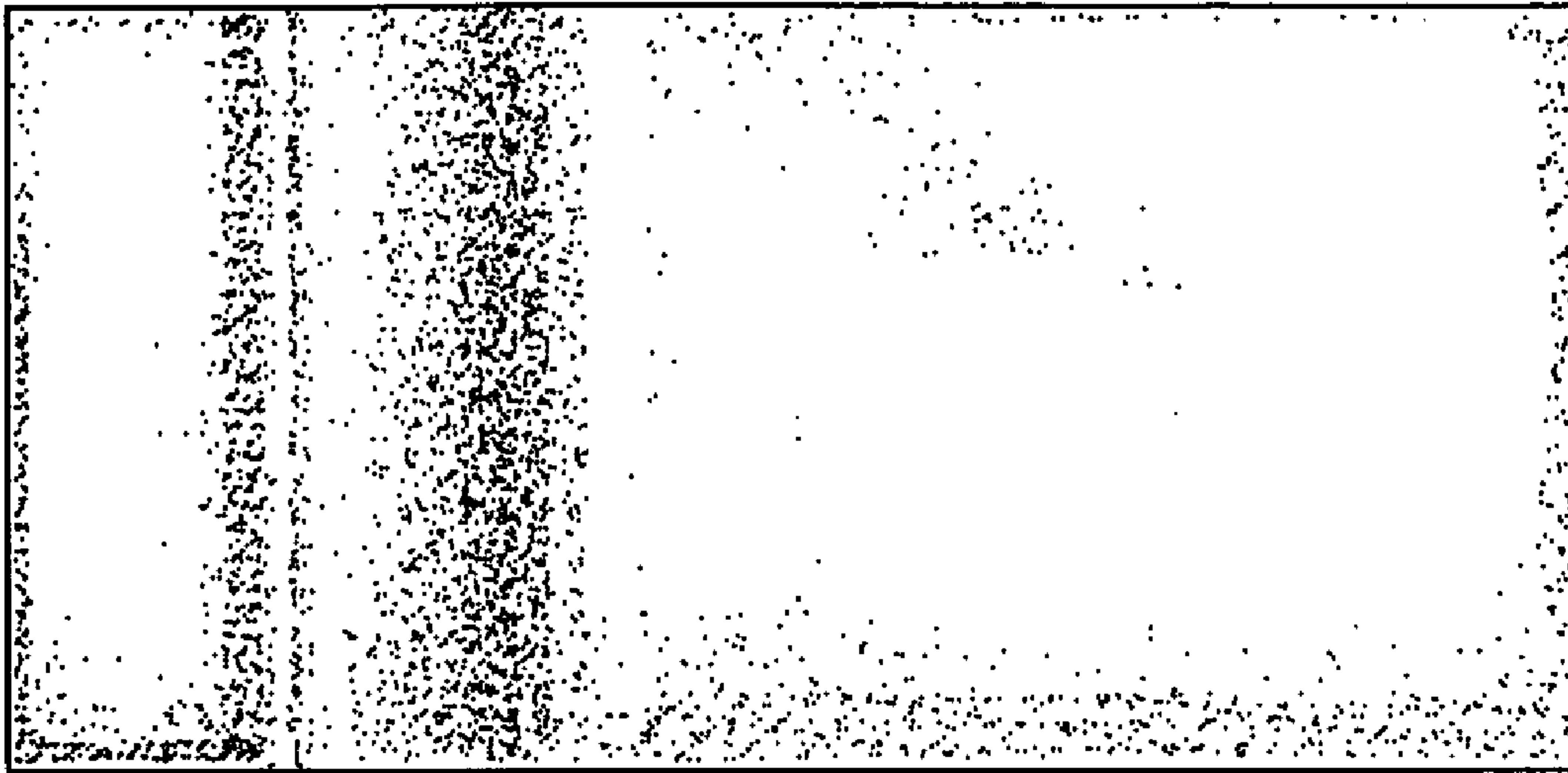


FIG. 15

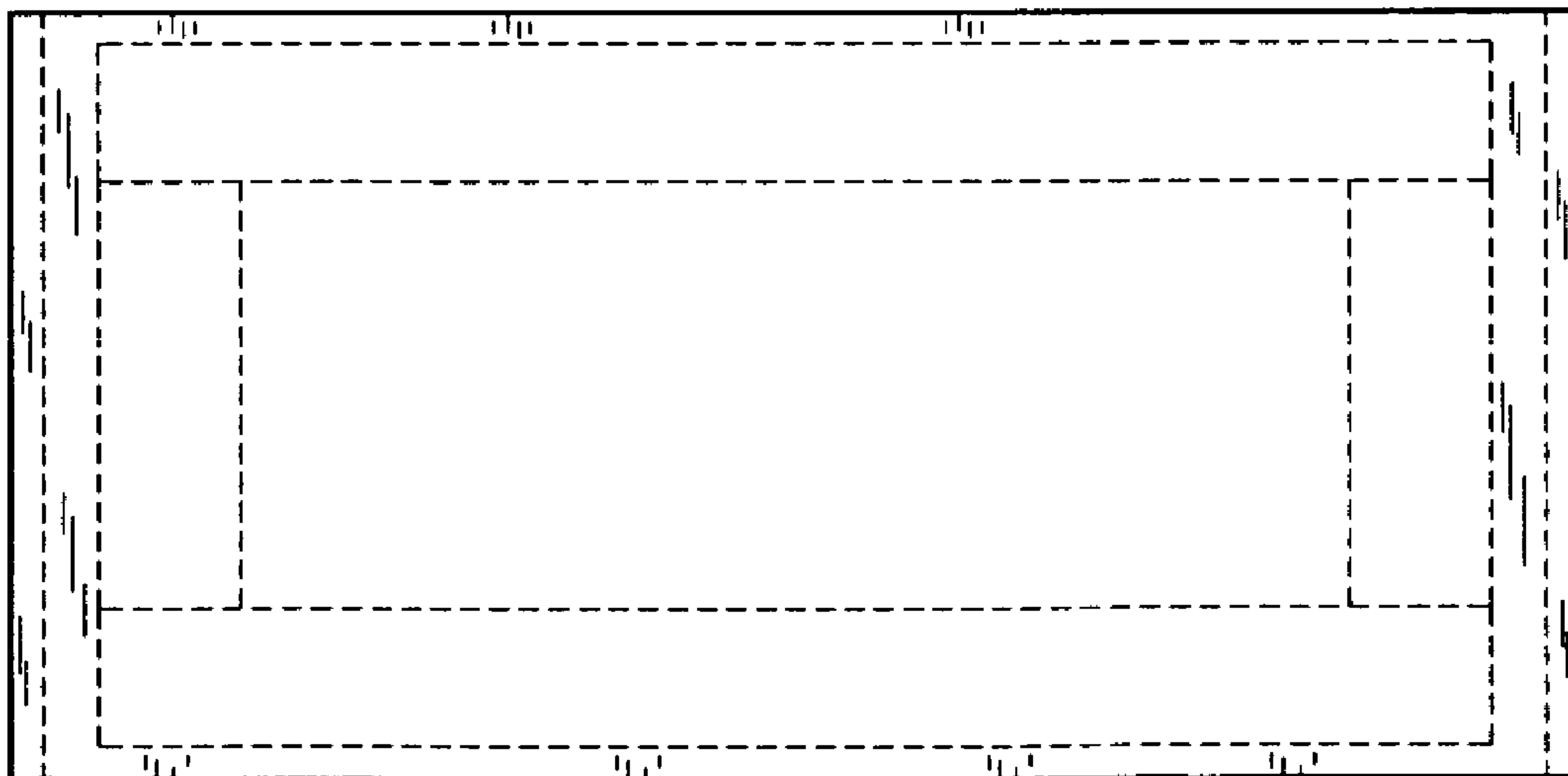


FIG. 16



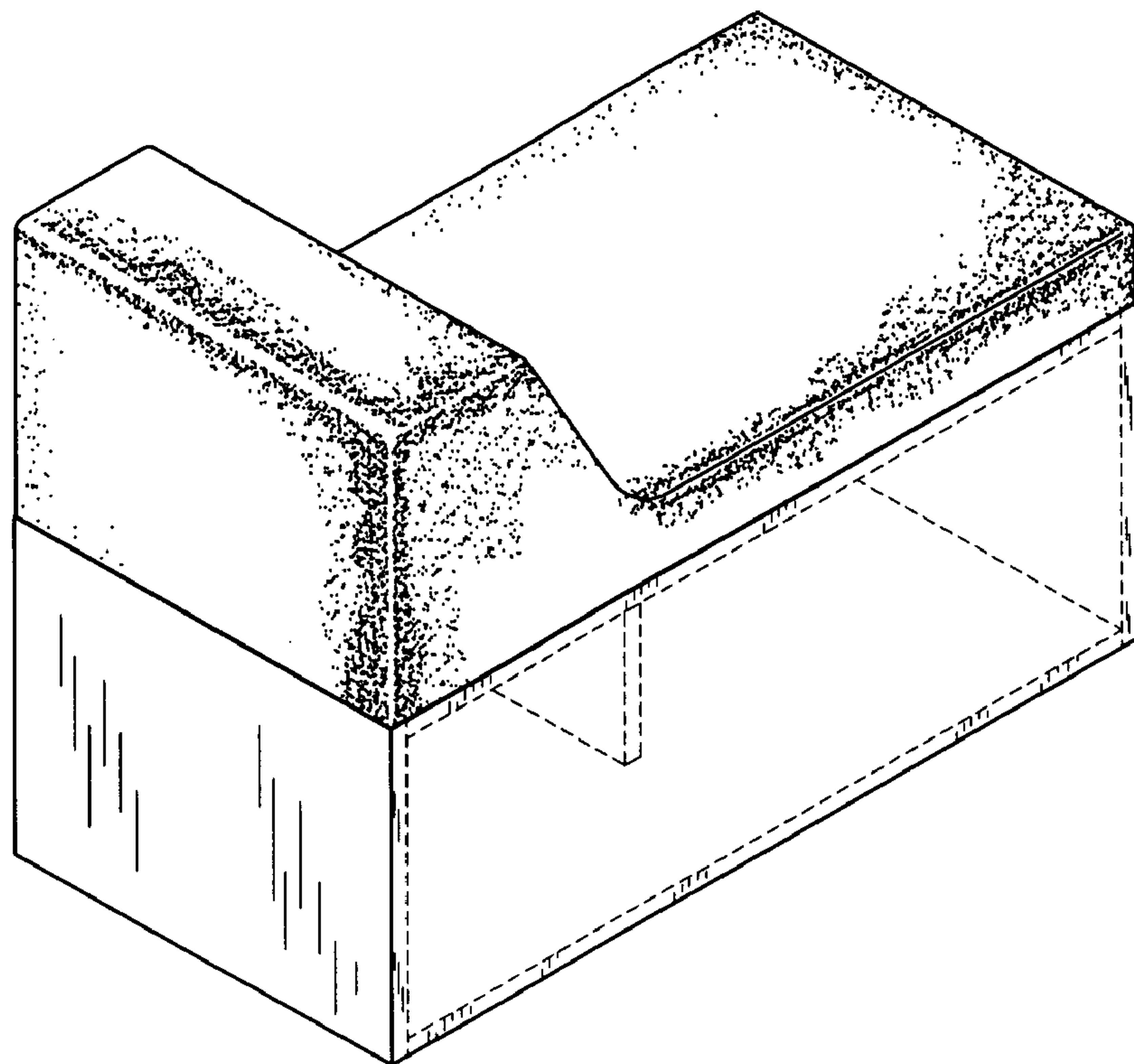


FIG. 17

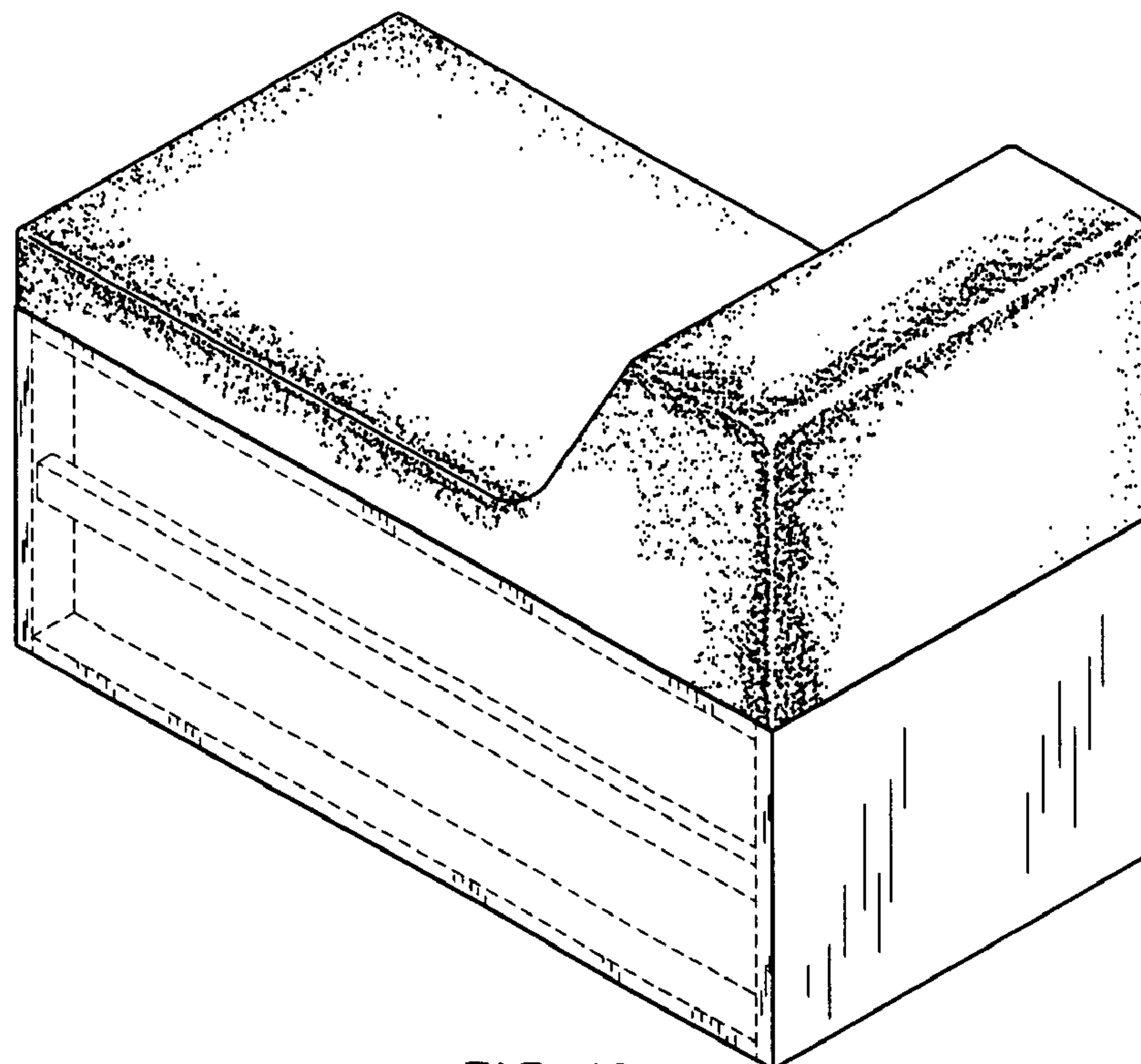


FIG. 18

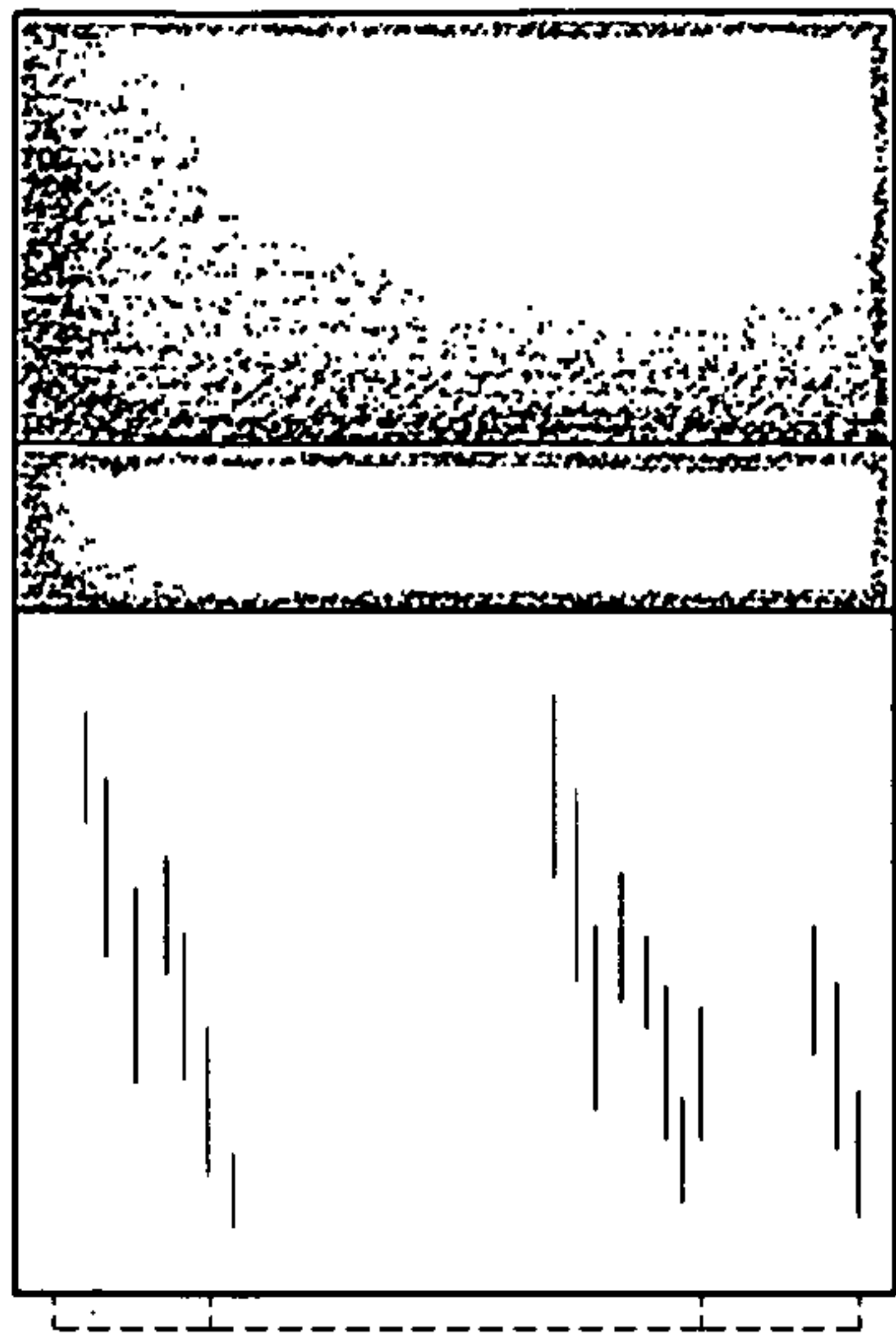


FIG. 19

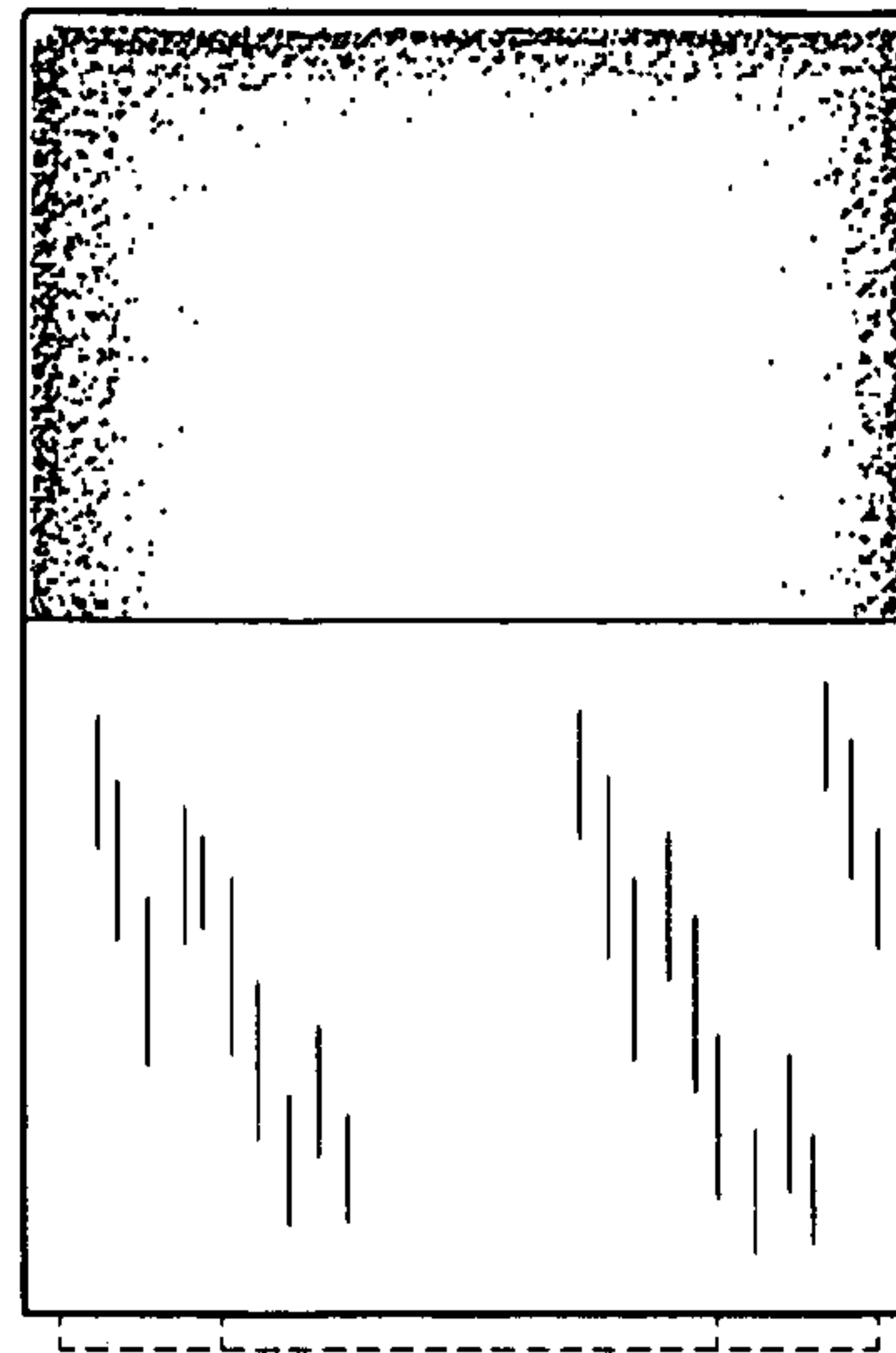


FIG. 20

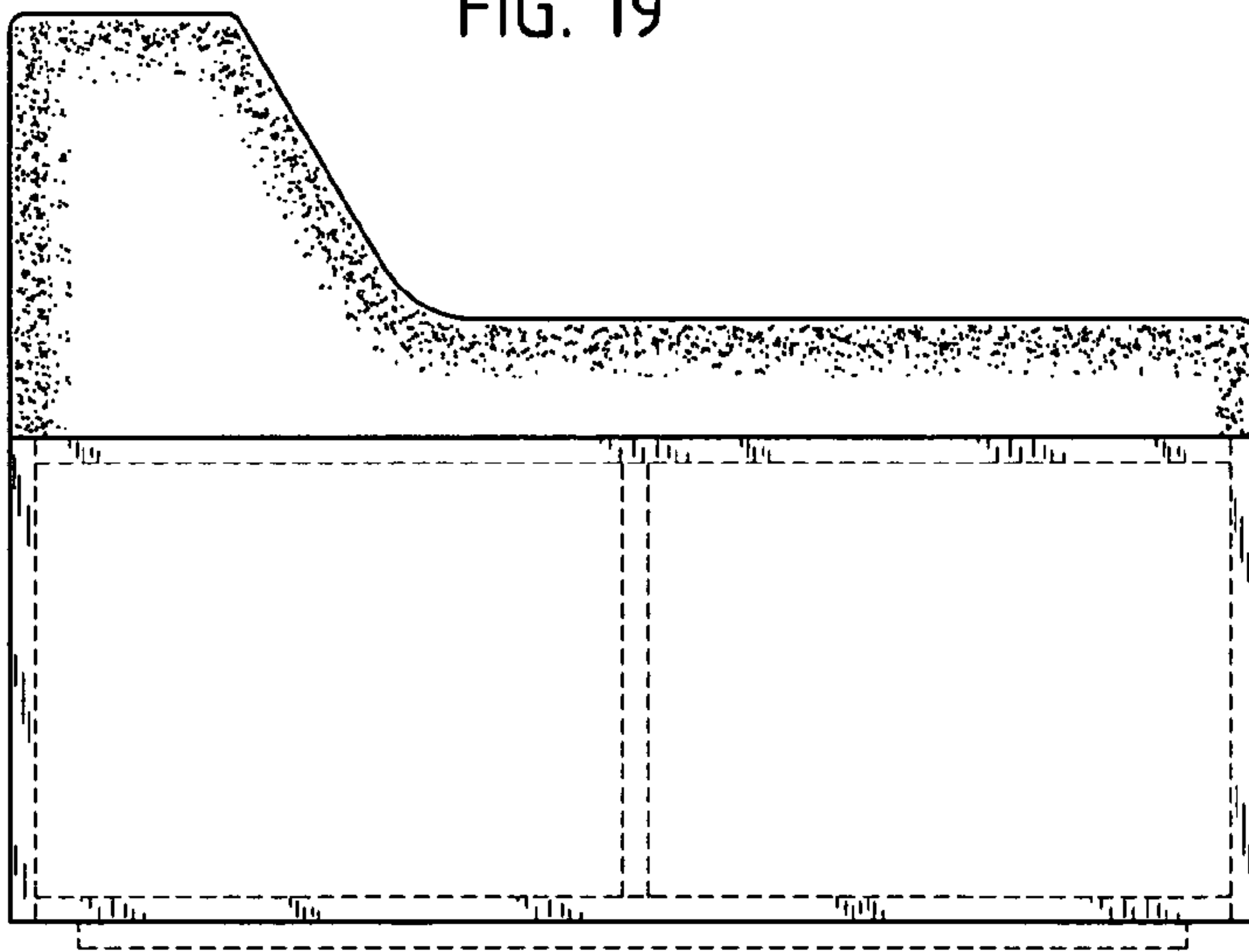


FIG. 21

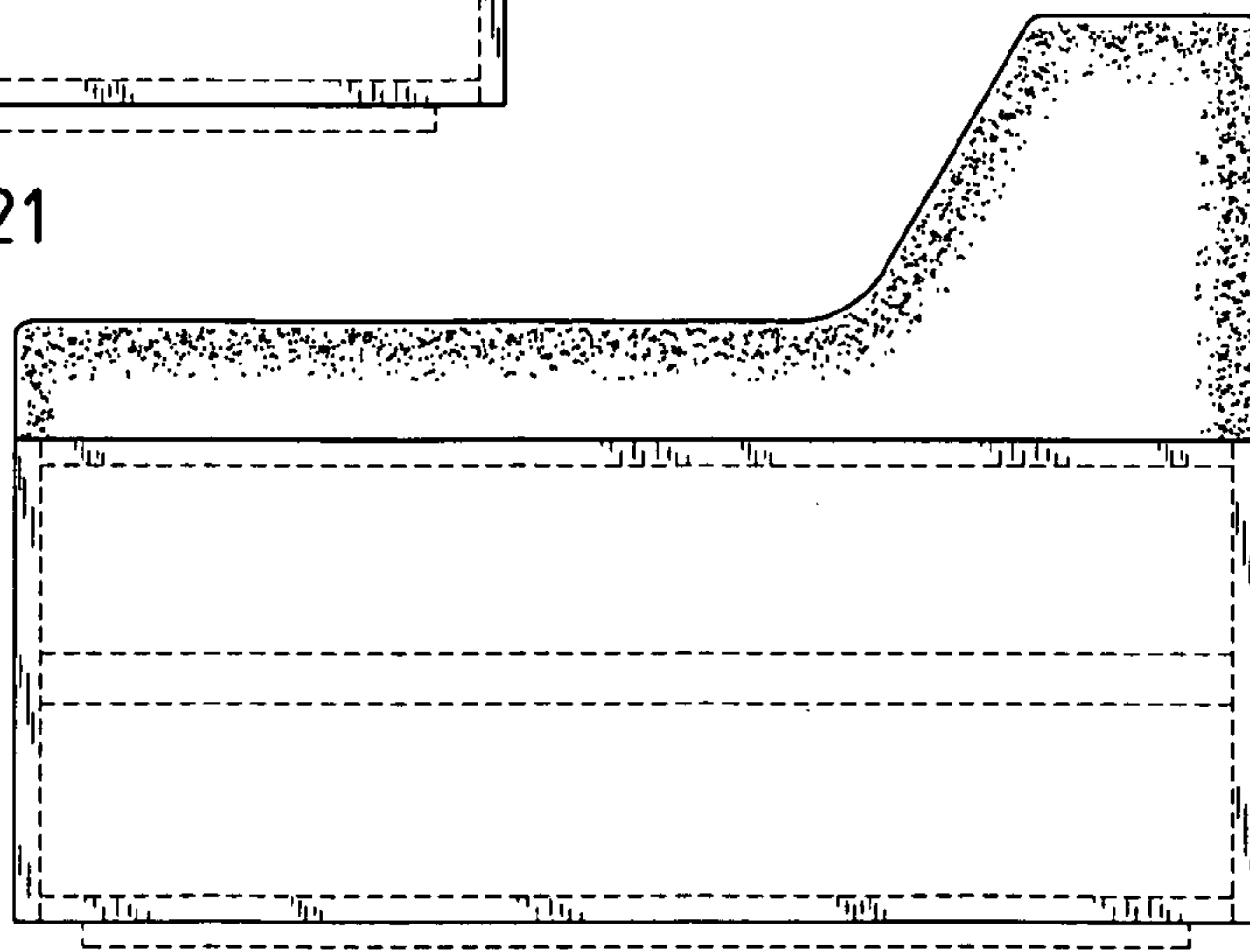


FIG. 22

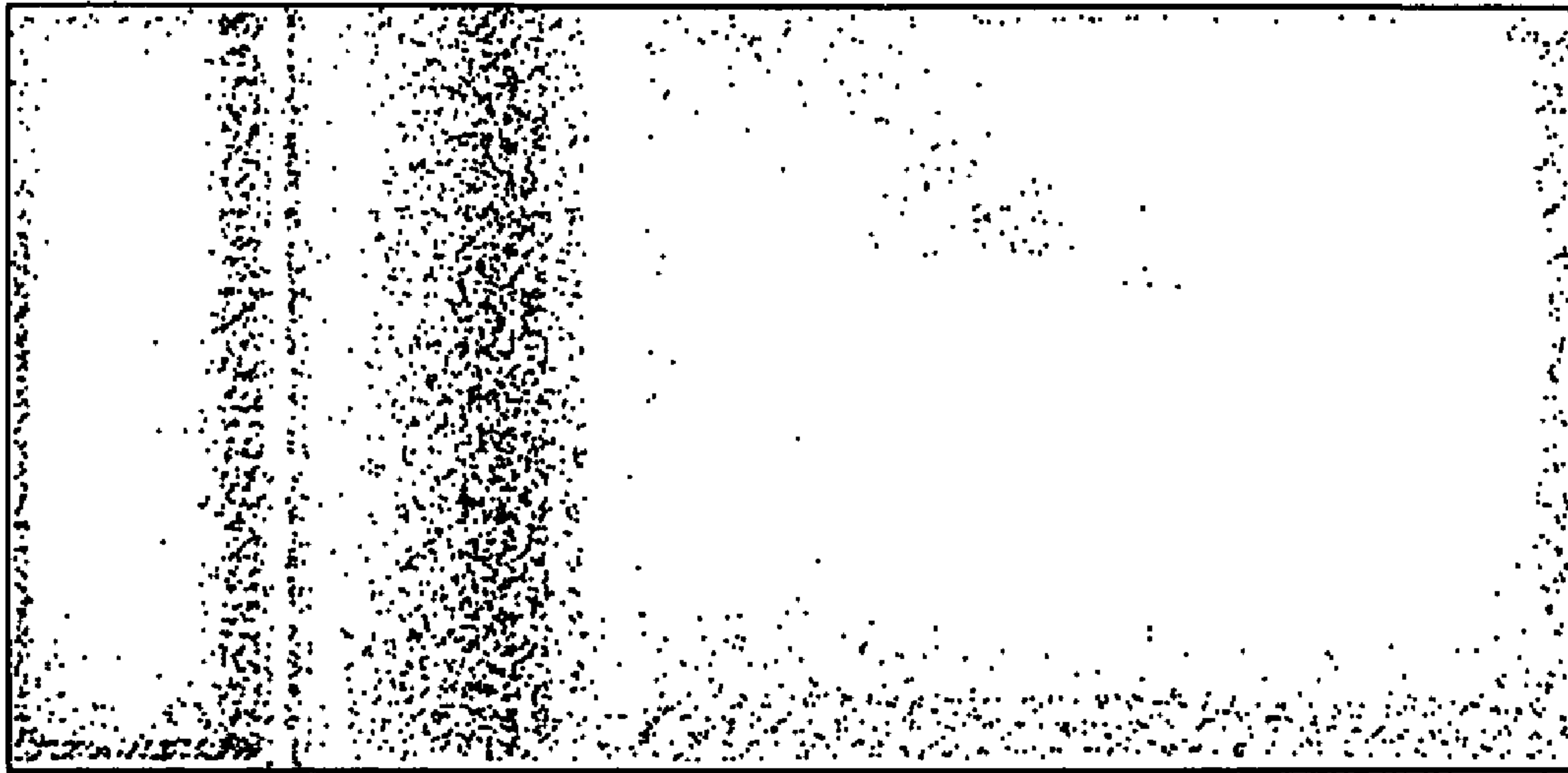


FIG. 23

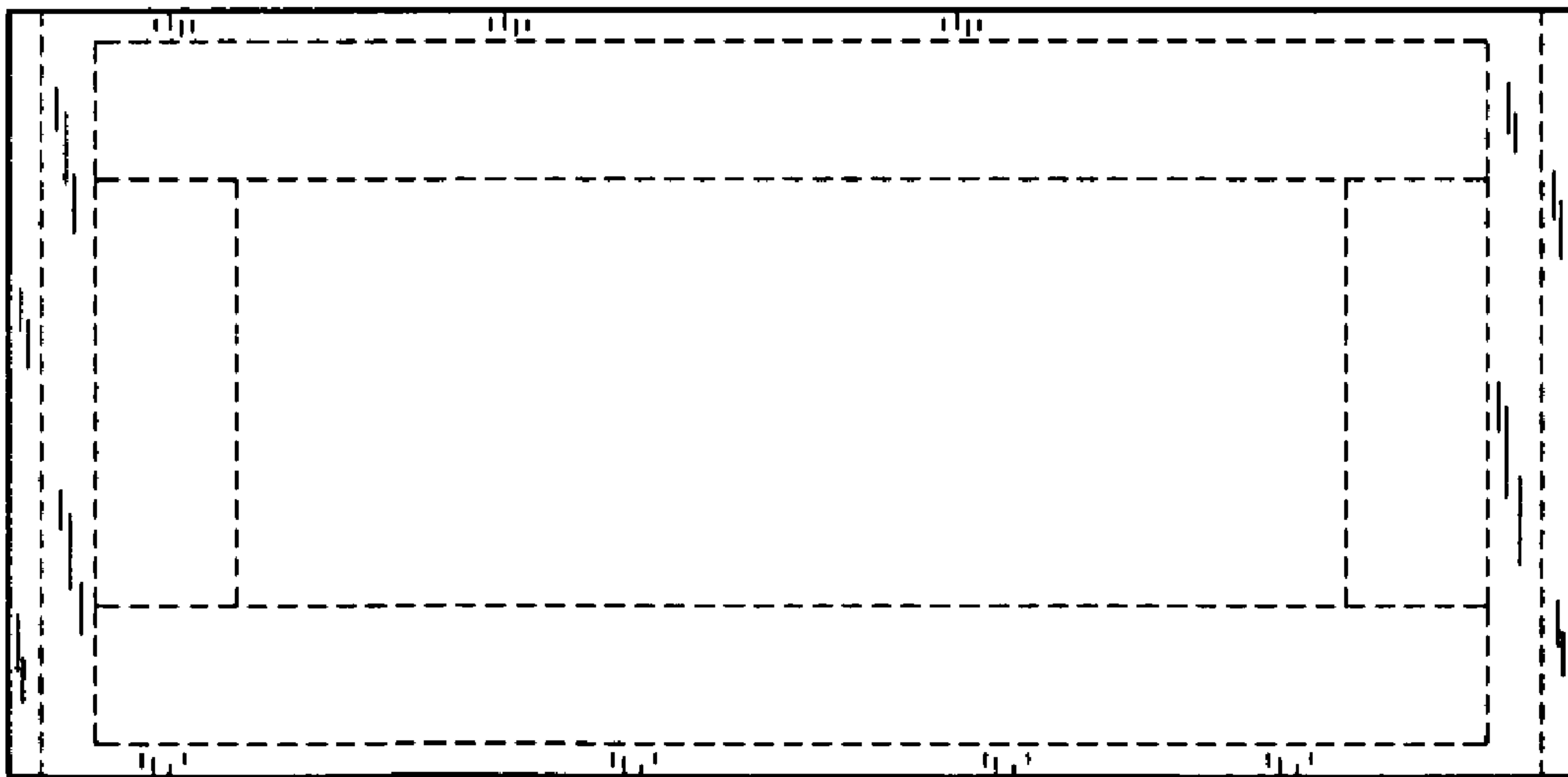


FIG. 24