



US00D602696S

(12) **United States Design Patent**
Morad et al.

(10) **Patent No.:** **US D602,696 S**

(45) **Date of Patent:** **** Oct. 27, 2009**

(54) **DOUBLE PAINT ROLLER**

(75) Inventors: **Fred I. Morad**, Toluca Lake, CA (US);
Thomas Stanley Moorad, Discovery Bay, CA (US)

(73) Assignee: **Worldwide Integrated Resources, Inc.**,
Montebello, CA (US)

(**) Term: **14 Years**

(21) Appl. No.: **29/244,740**

(22) Filed: **Dec. 13, 2005**

(51) **LOC (9) Cl.** **04-01**

(52) **U.S. Cl.** **D4/122**

(58) **Field of Classification Search** D4/122,
D4/123, 138; 15/230.11, 27, 143.1; 492/29,
492/13, 17-19; D8/107

See application file for complete search history.

(56) **References Cited**

U.S. PATENT DOCUMENTS

3,130,435	A *	4/1964	Smith	15/230.11
4,000,537	A *	1/1977	Woo	15/230.11
D443,986	S *	6/2001	Marino	D4/122
6,973,696	B1 *	12/2005	Koumarianos	15/230.11
D521,245	S *	5/2006	Inch	D4/122
2005/0091778	A1 *	5/2005	Finochiaro et al.	15/230.11
2007/0143946	A1 *	6/2007	Kim	15/230.11

* cited by examiner

Primary Examiner—Cathron C Brooks

Assistant Examiner—Barbara Fox

(74) *Attorney, Agent, or Firm*—Thomas I. Rozsa

(57) **CLAIM**

The ornamental design for a double paint roller, as shown and described.

DESCRIPTION

FIG. 1 is a perspective view of a double paint roller, showing my design.

FIG. 2 is a front elevational view;

FIG. 3 is a rear elevational view;

FIG. 4 is a side elevational view from the right side;

FIG. 5 is a side elevational view from the left side;

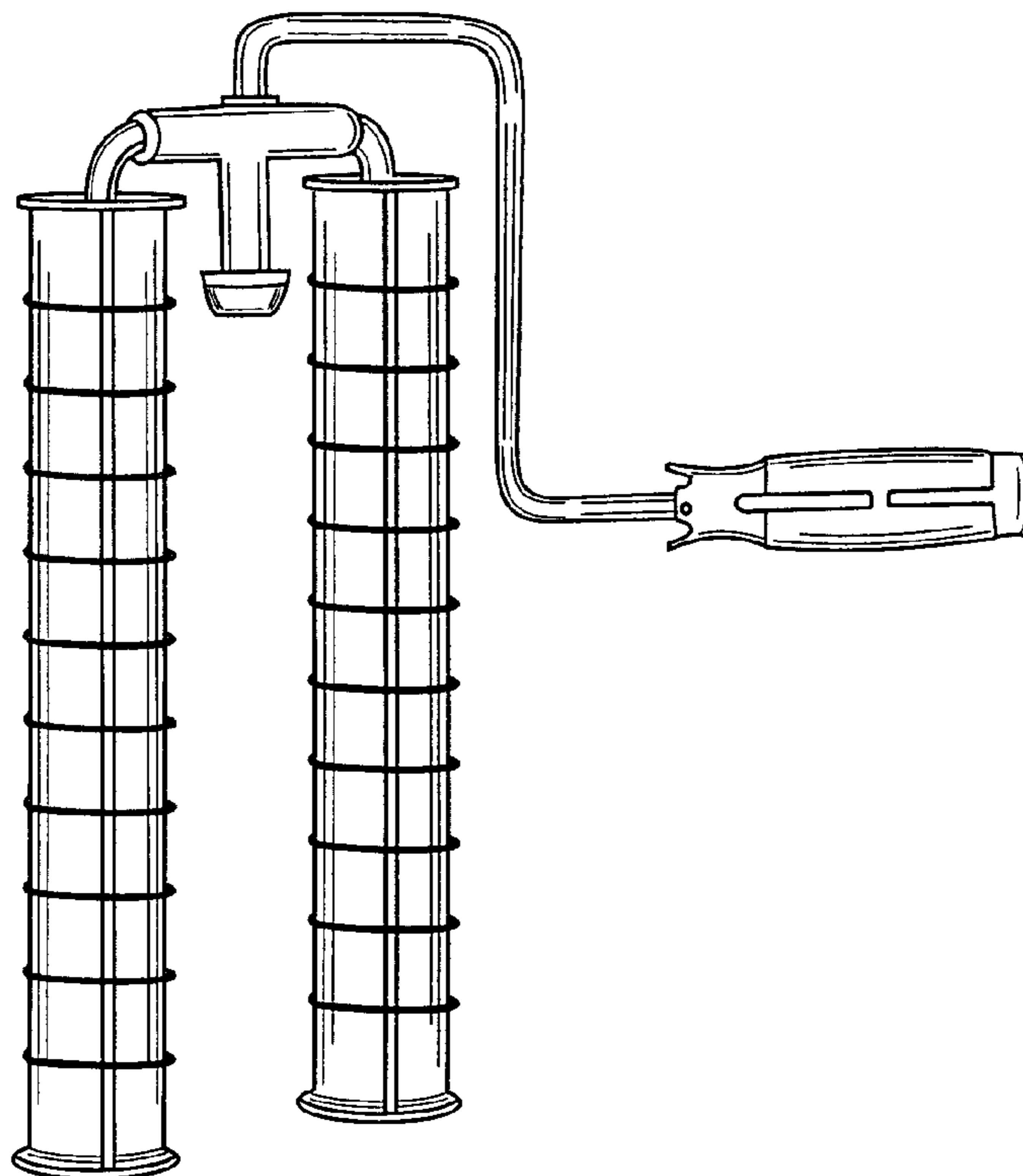
FIG. 6 is a top plan view;

FIG. 7 is a bottom plan view; and,

FIG. 8 is a front elevational view with rollers assembled onto each paint roller.

The broken lines shown in the drawings are for the purpose of illustrating unclaimed portions of the double paint roller and form no part of the claimed design.

1 Claim, 6 Drawing Sheets



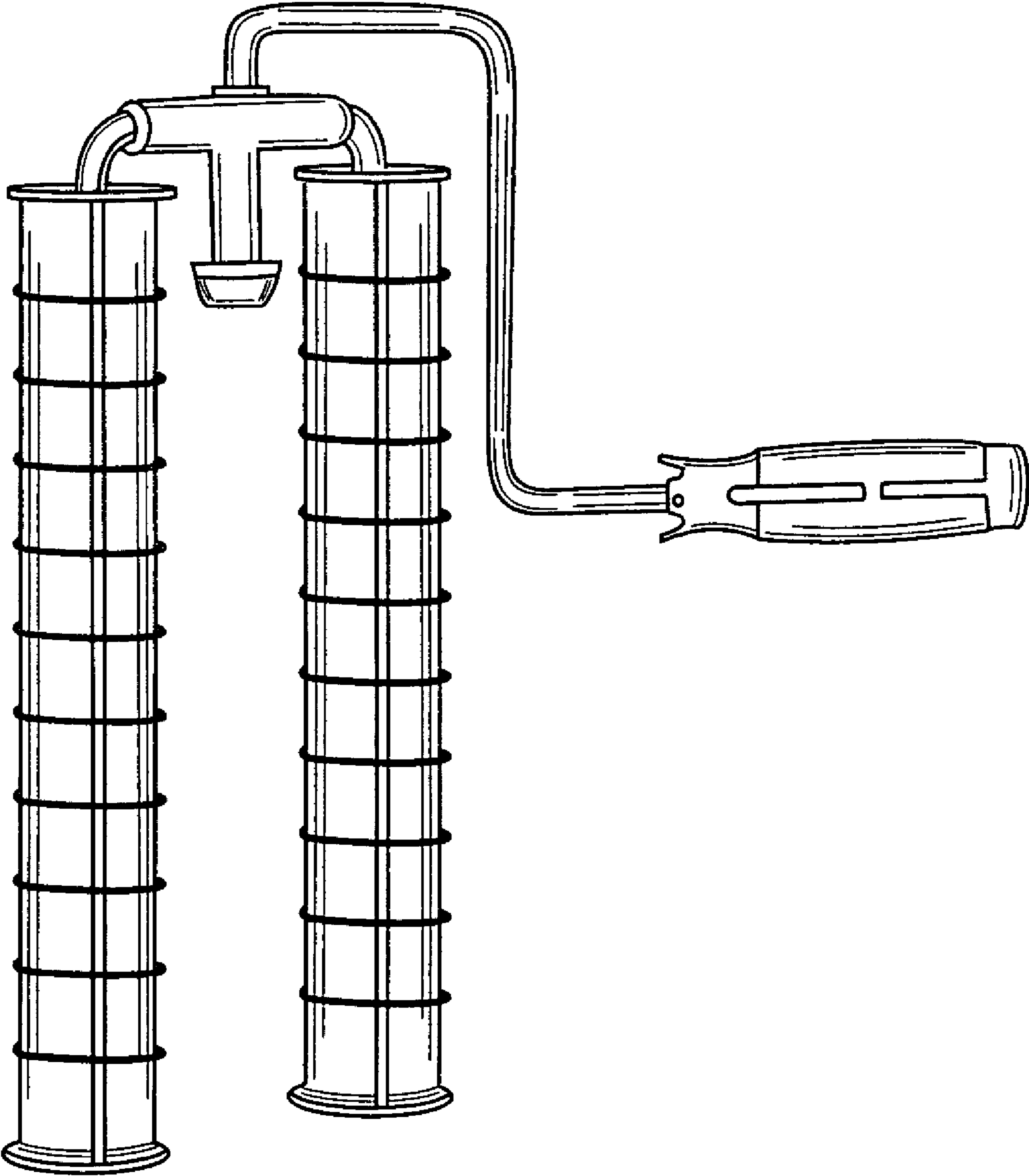


FIG. 1

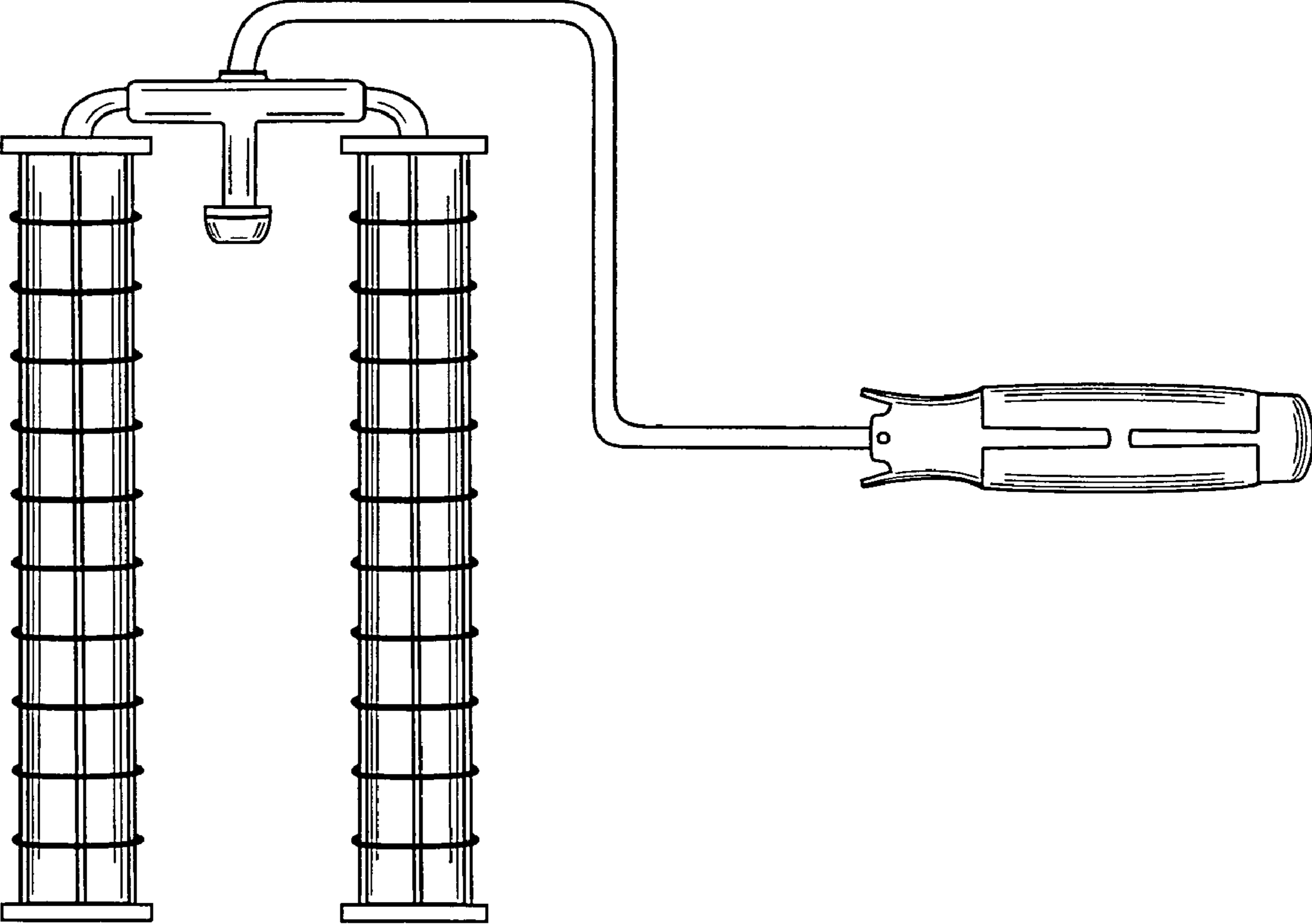


FIG. 2

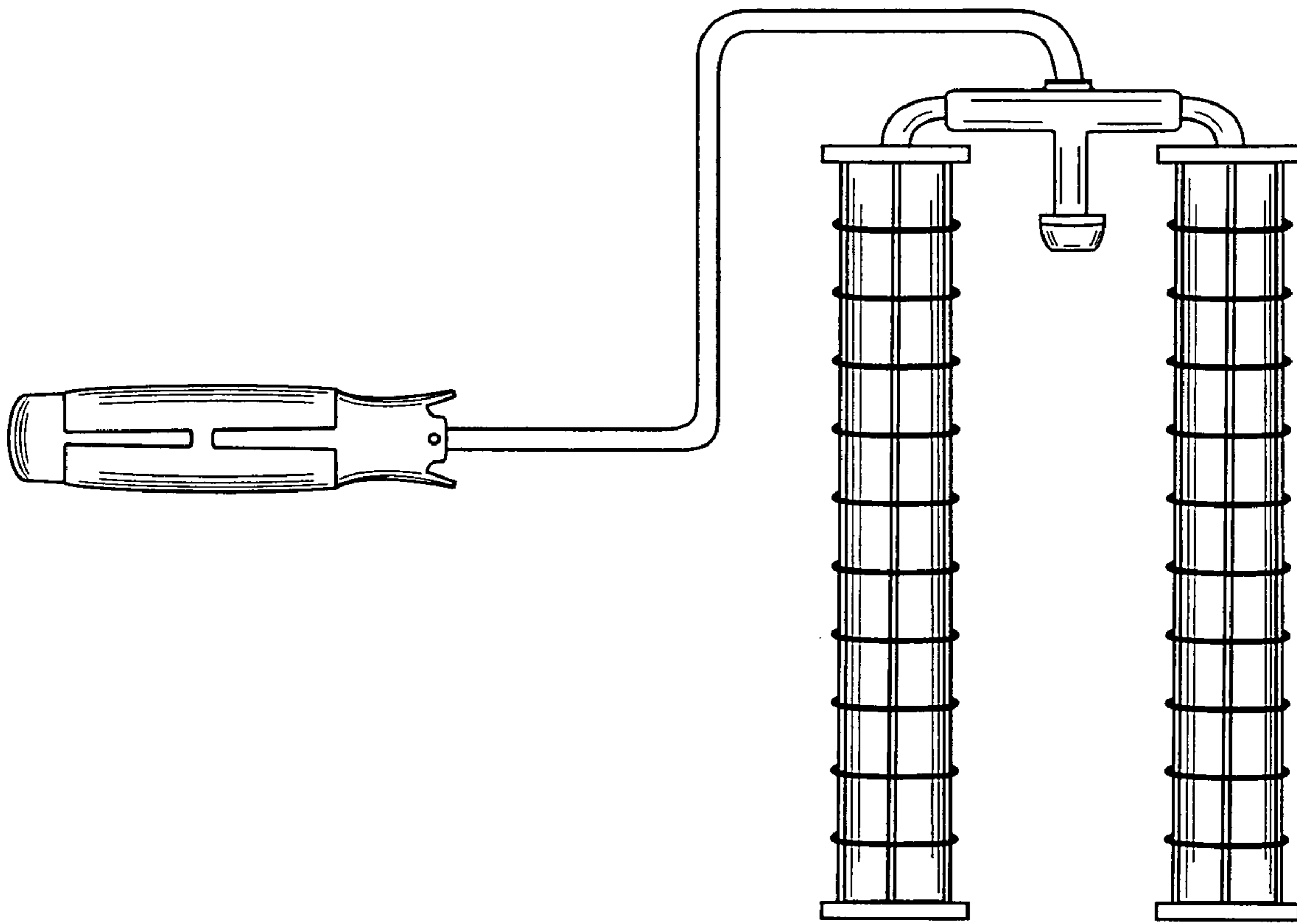


FIG. 3

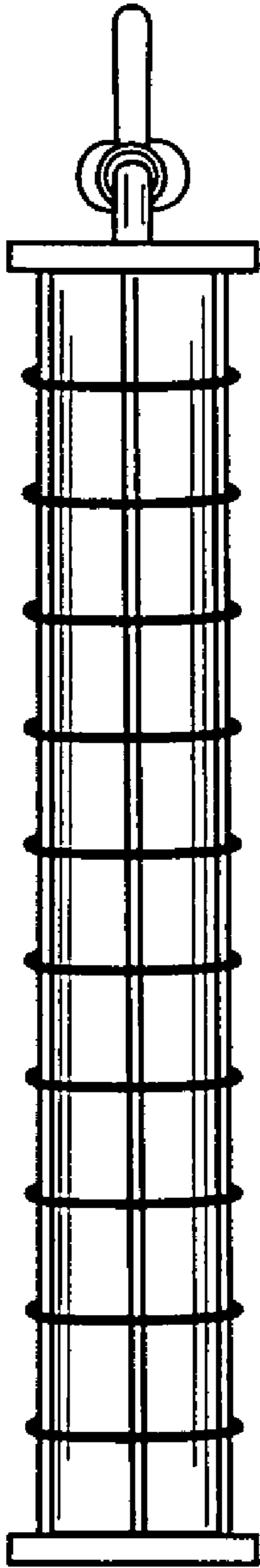


FIG. 4

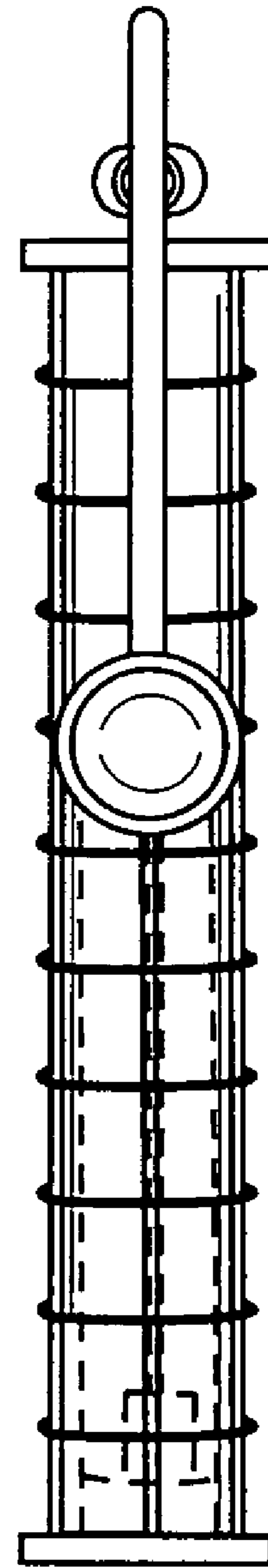


FIG. 5

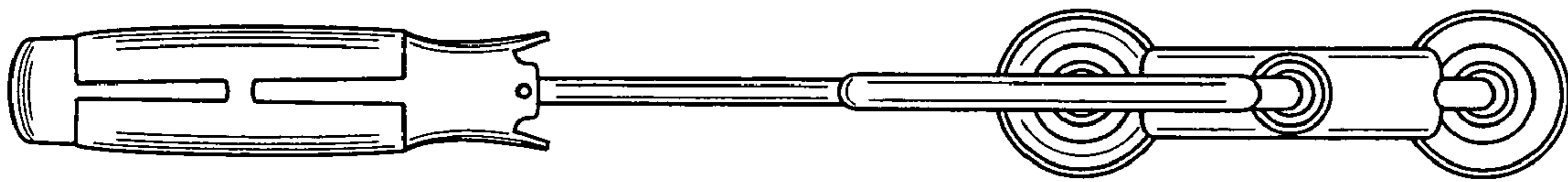


FIG. 6

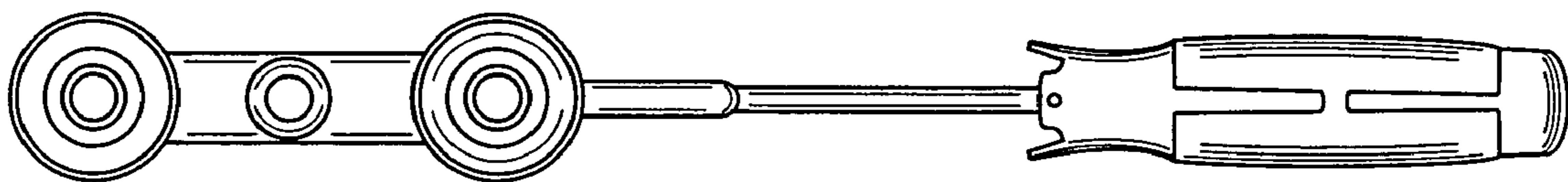


FIG. 7

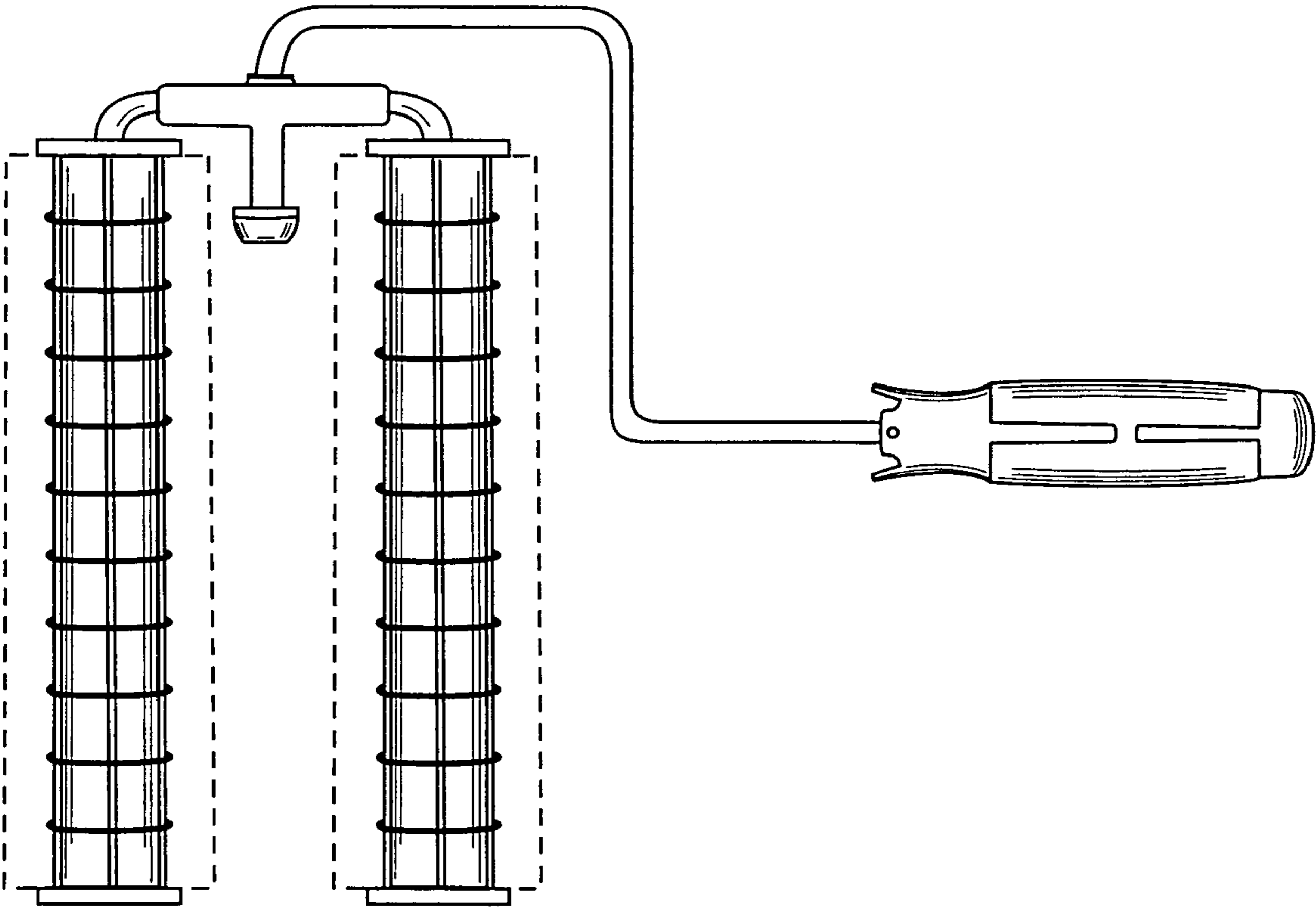


FIG. 8