

US00D602693S

(12) **United States Design Patent**
McClees

(10) **Patent No.:** **US D602,693 S**

(45) **Date of Patent:** **** Oct. 27, 2009**

(54) **CAR POCKET BAG**

(75) Inventor: **David L. McClees**, Falmouth, ME (US)

(73) Assignee: **Talus Corporation**, Portland, ME (US)

(**) Term: **14 Years**

(21) Appl. No.: **29/272,951**

(22) Filed: **Feb. 22, 2007**

(51) **LOC (9) Cl.** **03-01**

(52) **U.S. Cl.** **D3/304**

(58) **Field of Classification Search** D3/226,
D3/230, 215–217, 305–315; D6/513–514,
D6/601, 611; D12/423–425, 416; 296/37.1,
296/37.8, 37.15; 224/275–277, 400, 539,
224/587; 297/188.04–188.12, 191

See application file for complete search history.

(56) **References Cited**

U.S. PATENT DOCUMENTS

D313,694 S *	1/1991	Mawhinney et al.	D12/422
5,209,386 A *	5/1993	Allison	224/275
D344,180 S *	2/1994	Garcia	D12/416
D370,681 S *	6/1996	Diamond	D14/252
D406,096 S *	2/1999	Lucas, Jr.	D12/416
D422,261 S *	4/2000	Basso et al.	D12/420
D505,911 S *	6/2005	Huang	D12/417
D506,434 S *	6/2005	Ling	D12/416

* cited by examiner

Primary Examiner—T. Chase Nelson

Assistant Examiner—Eric L Goodman

(74) *Attorney, Agent, or Firm*—Pierce Atwood LLP; Kevin M. Farrell; Katherine A. Wrobel

(57) **CLAIM**

The ornamental design for a car pocket bag, as shown and described.

DESCRIPTION

FIG. 1 is a perspective view embodying our new design;

FIG. 2 is a front view of FIG. 1;

FIG. 3 is a left side view of FIG. 1;

FIG. 4 is a back view of FIG. 1;

FIG. 5 is a right side view of FIG. 1;

FIG. 6 is a top view of FIG. 1;

FIG. 7 is a bottom view of FIG. 1;

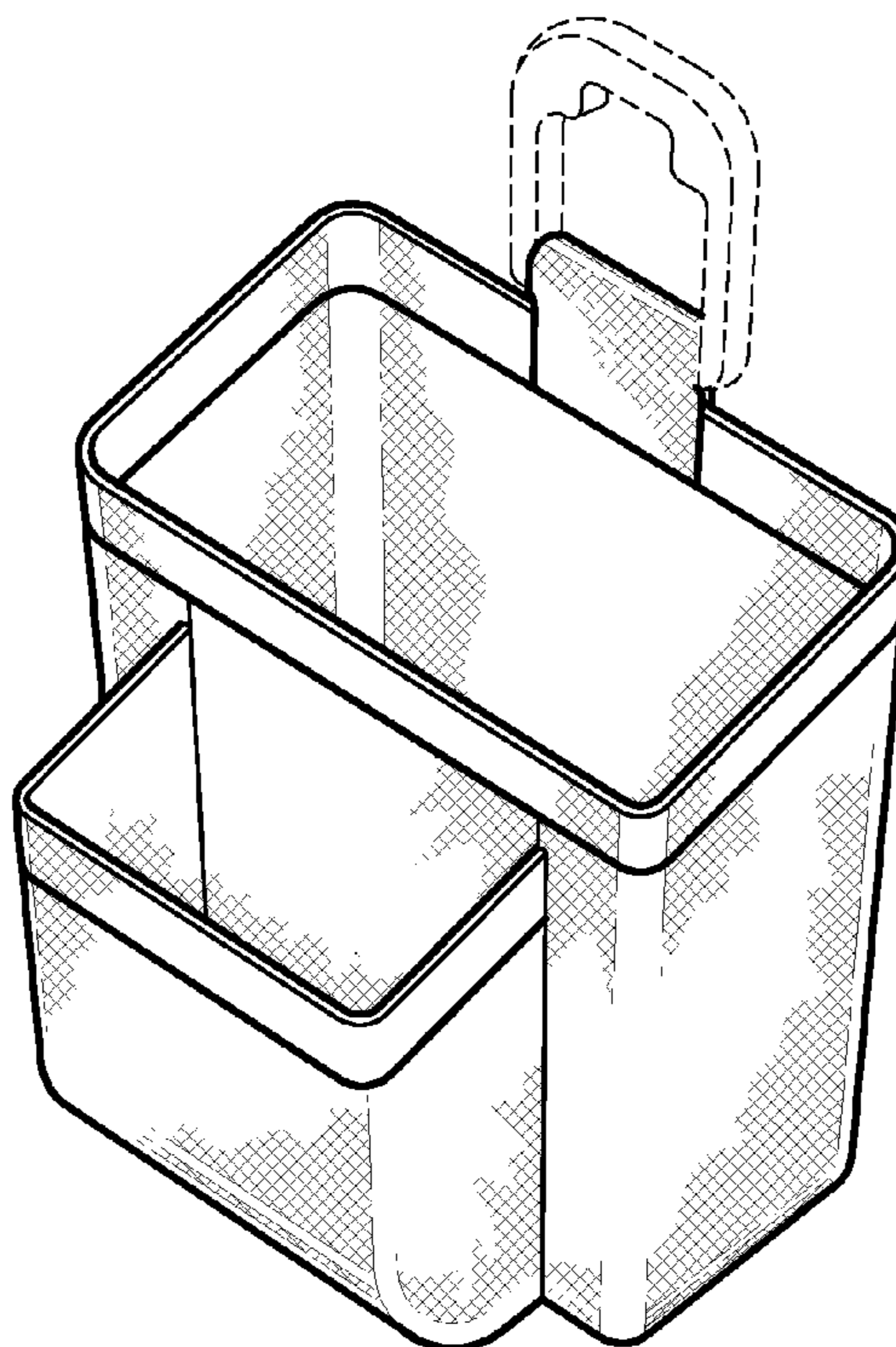
FIG. 8 is a perspective view of a second embodiment;

FIG. 9 is a perspective view of a third embodiment; and,

FIG. 10 is a perspective view of a fourth embodiment.

Unless otherwise stated herein, the broken lines shown in FIGS. 1 through 10 are included for the purpose of illustrating portions of the article that form no part of the claimed design. The broken line in FIG. 6 around the boundary of the bottom surface of the car pocket bag is for the purpose of defining the bounds of the claimed design and forms no part thereof.

1 Claim, 5 Drawing Sheets



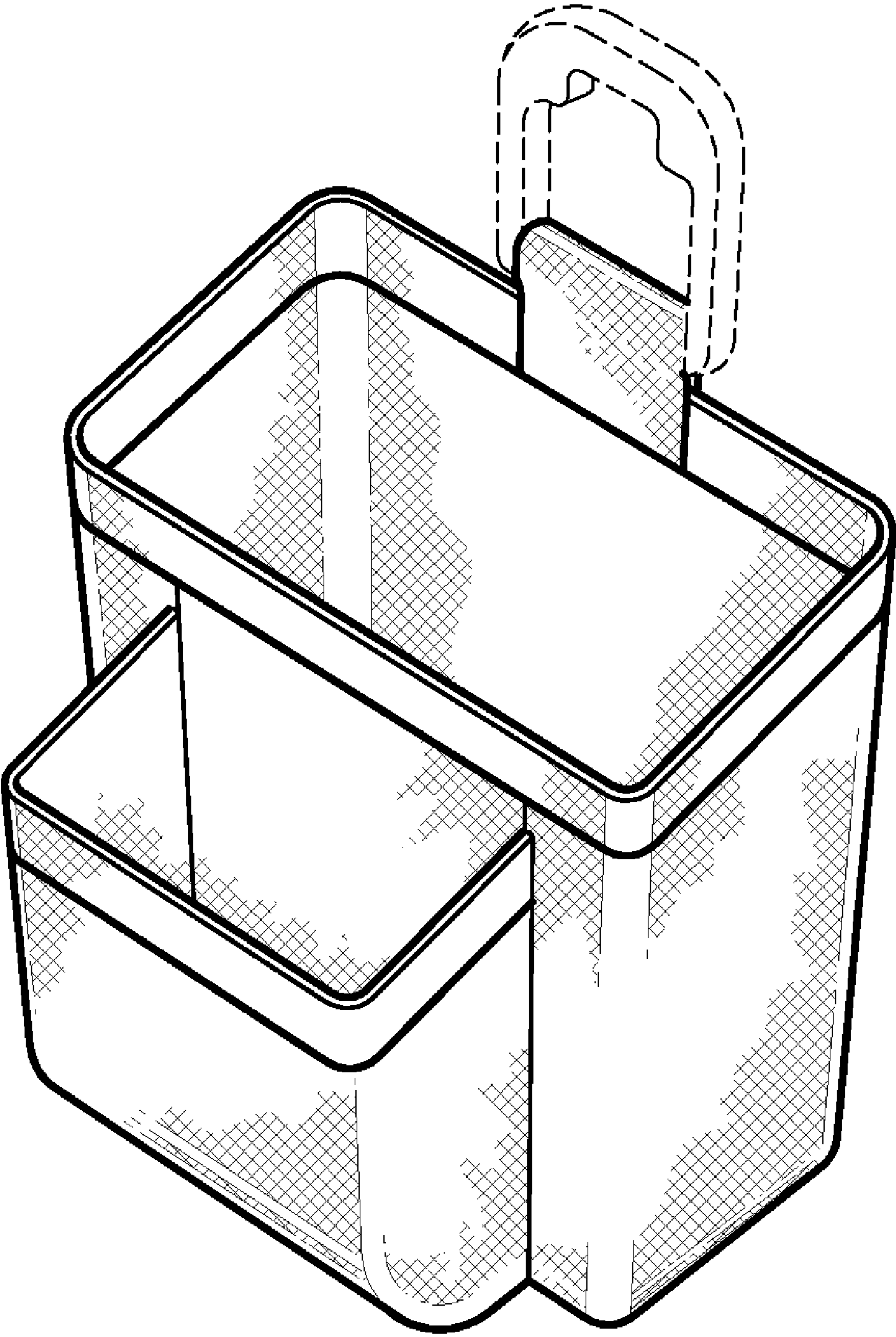


FIG. 1

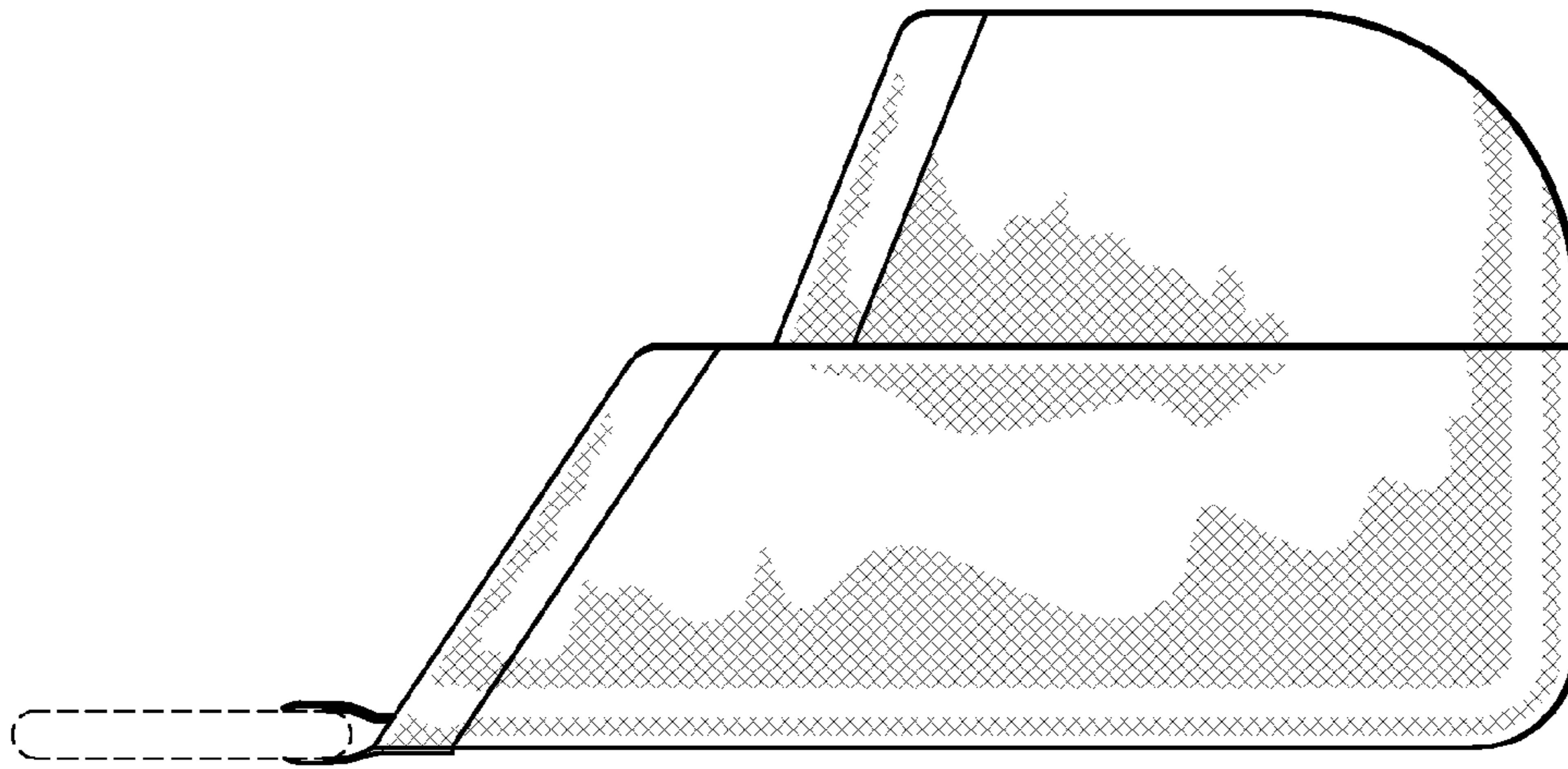


FIG. 3

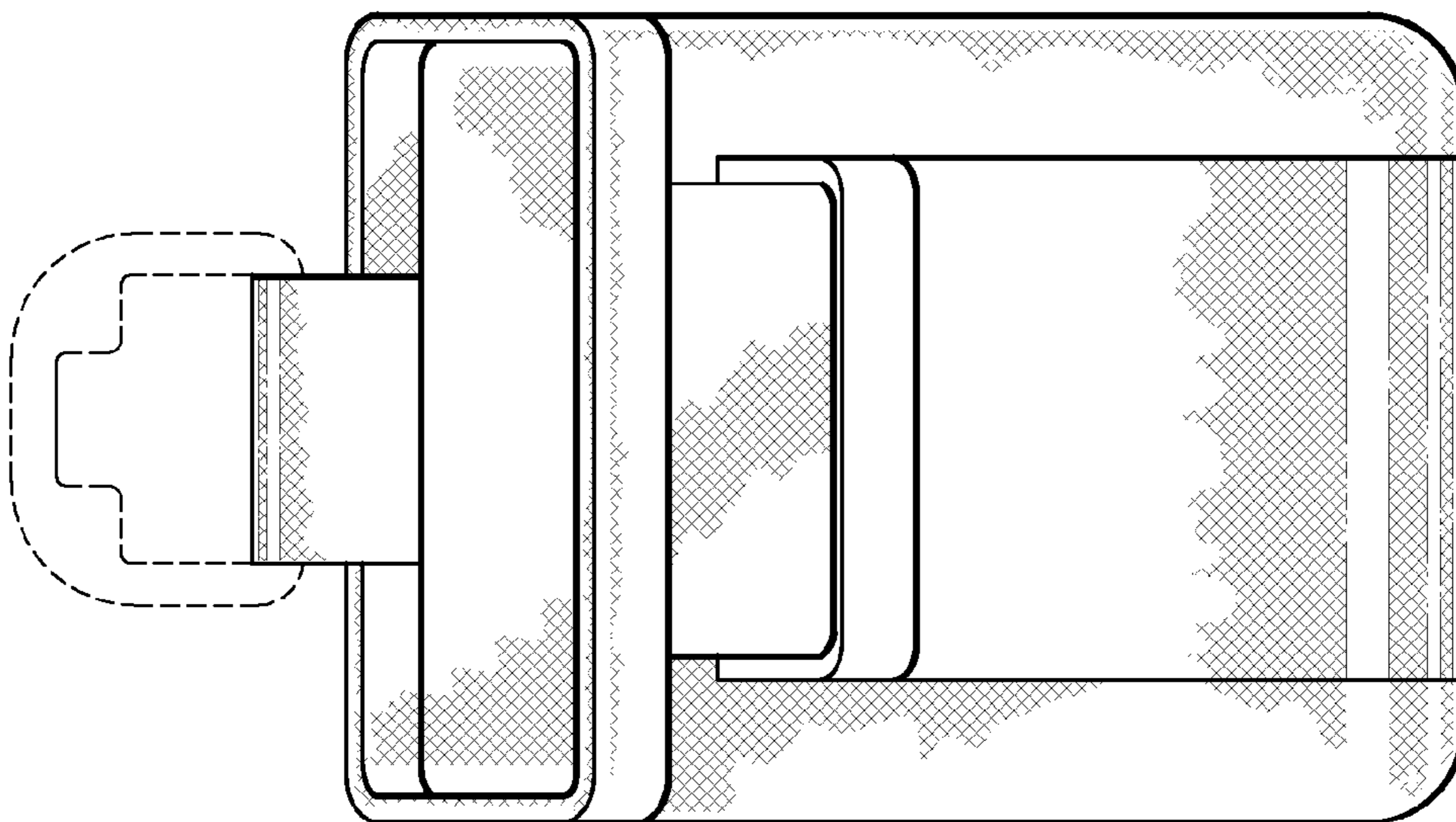


FIG. 2

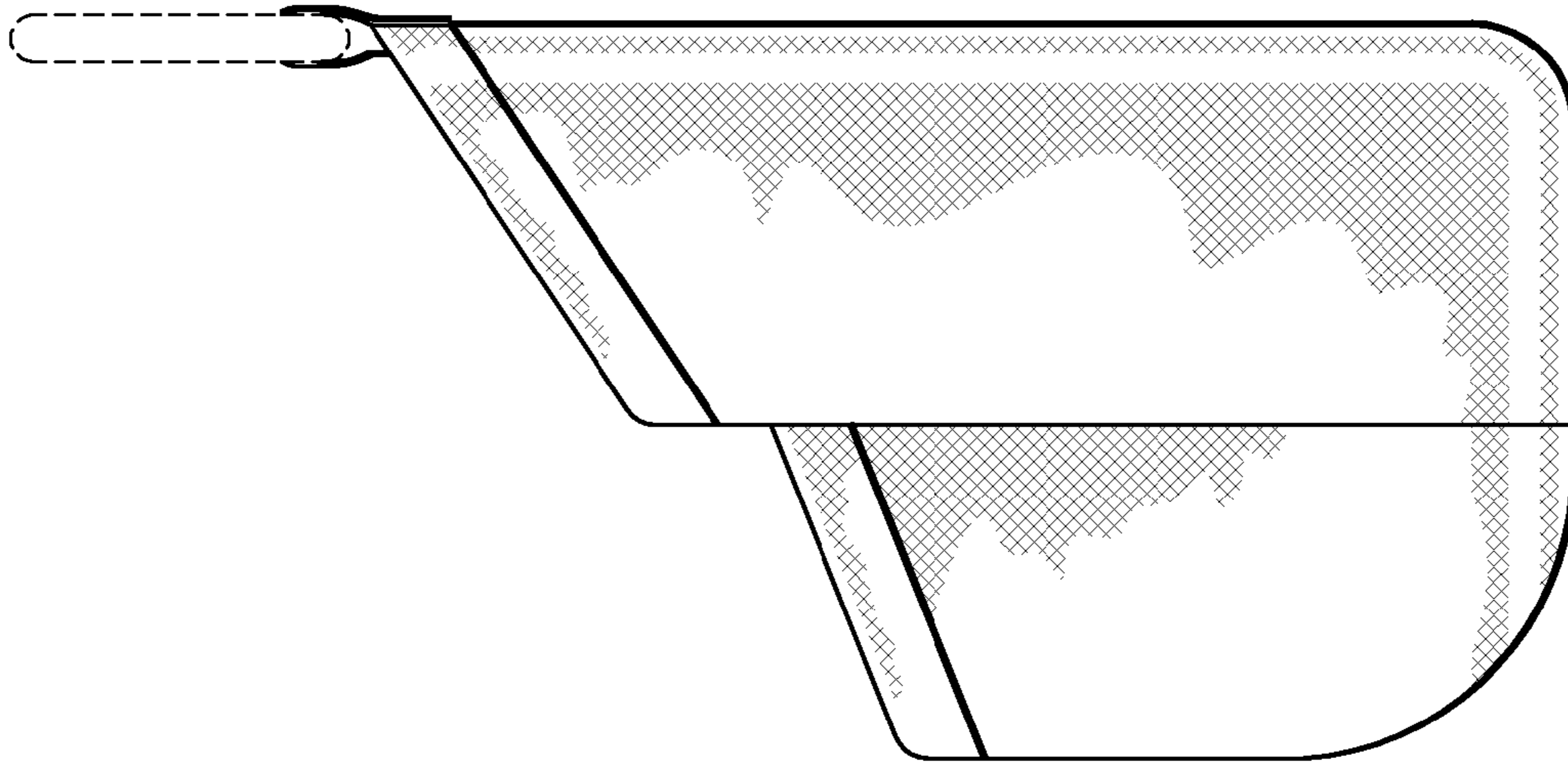


FIG. 5

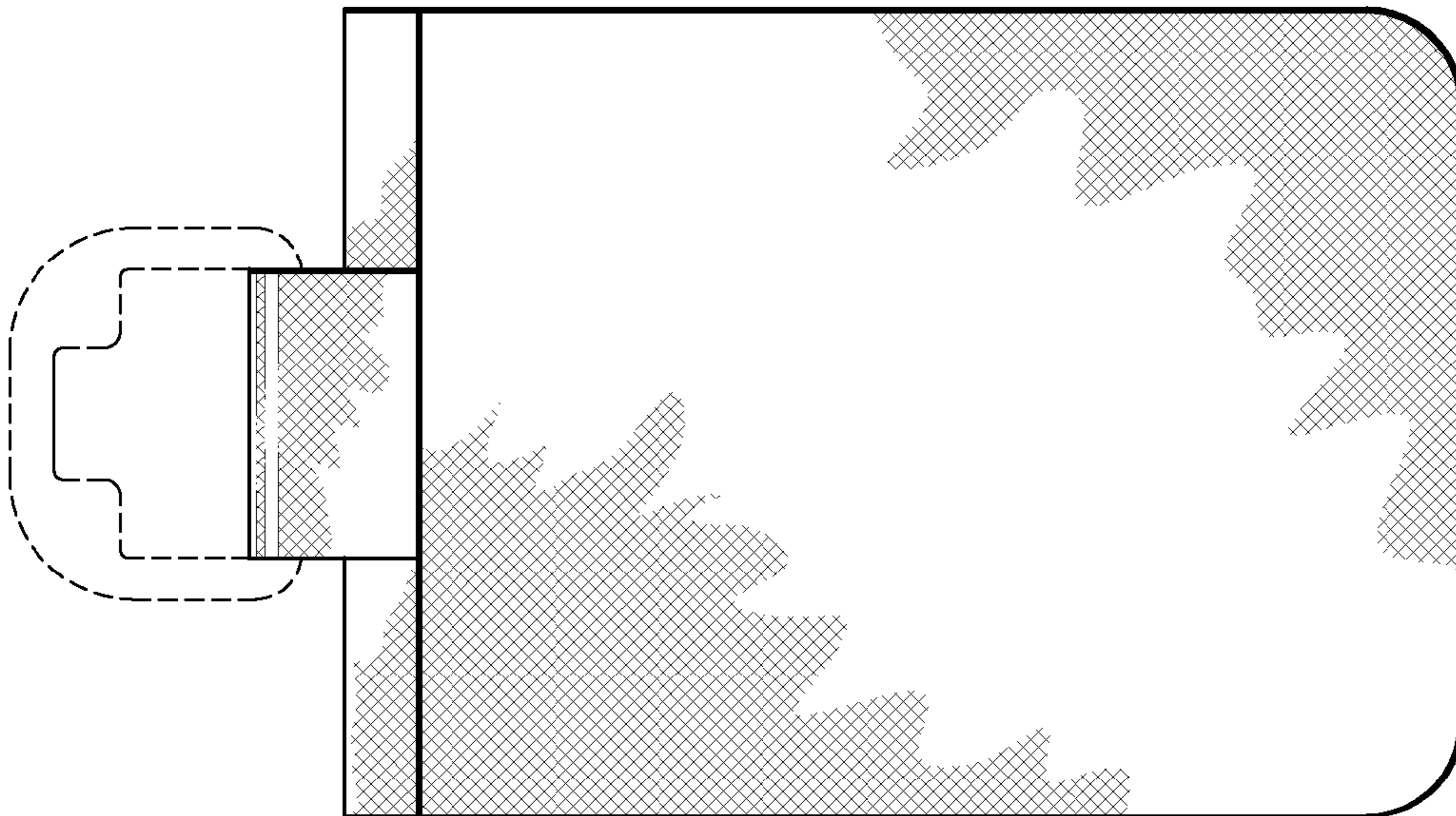


FIG. 4

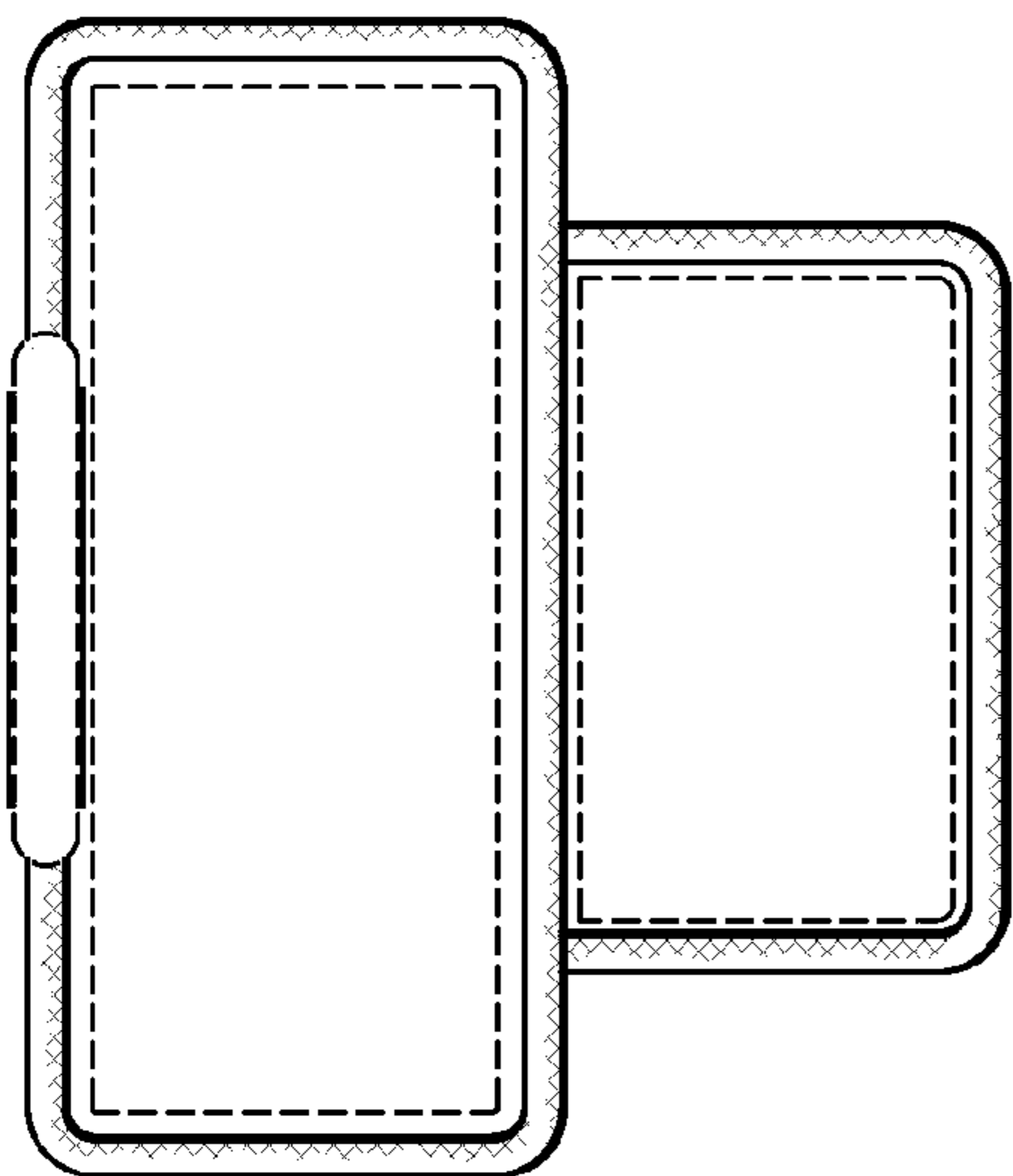


FIG. 6

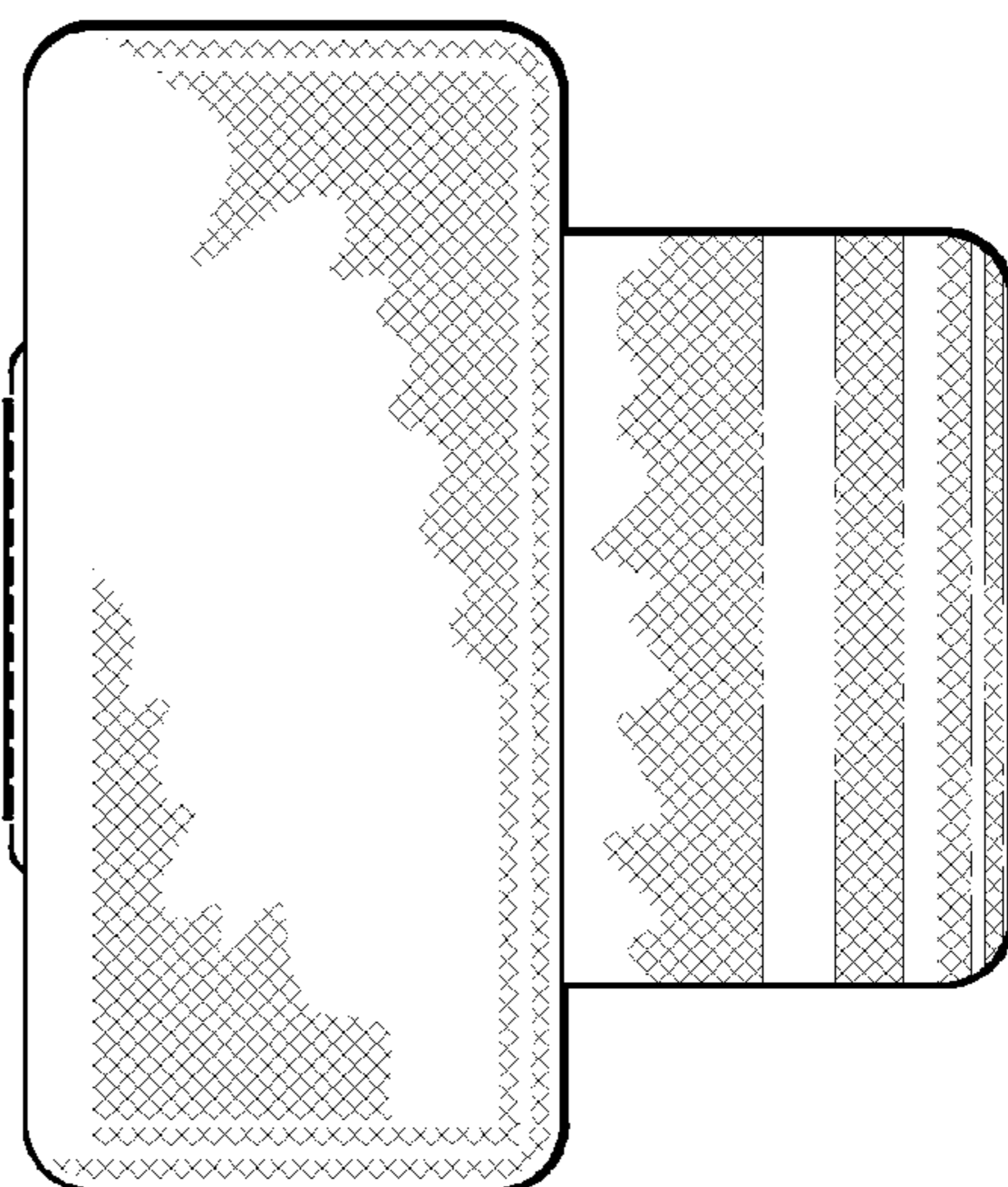


FIG. 7

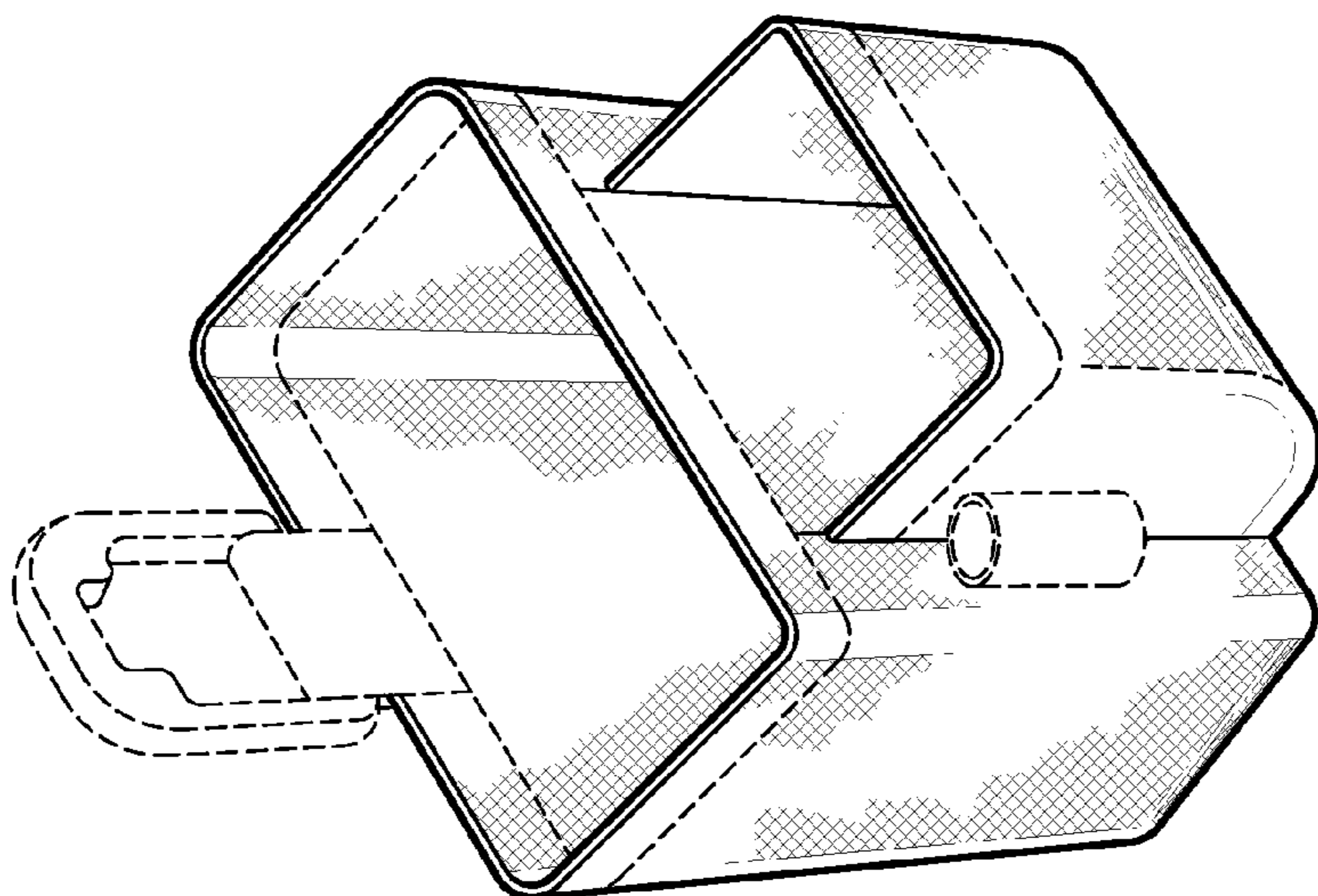


FIG. 8

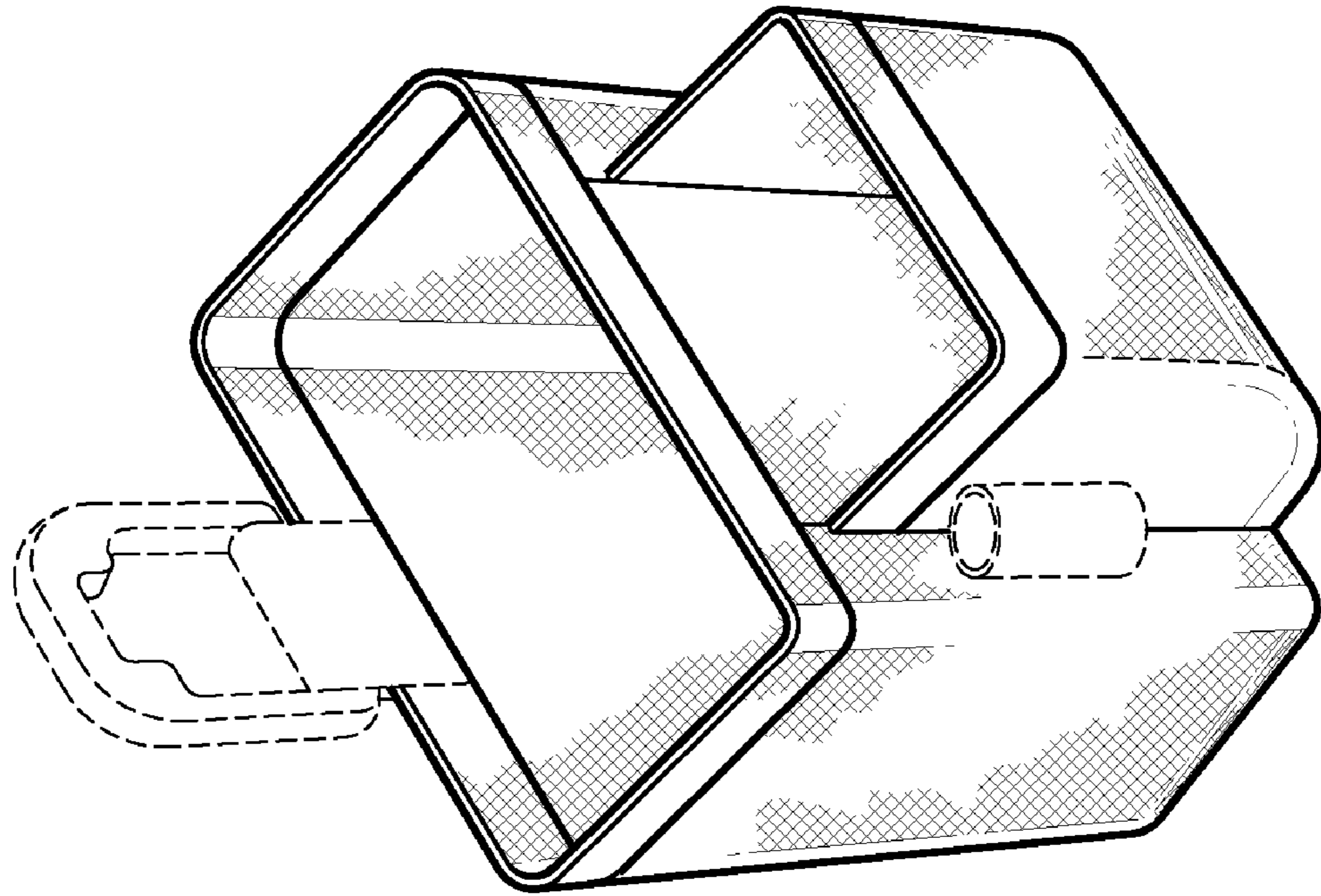


FIG. 10

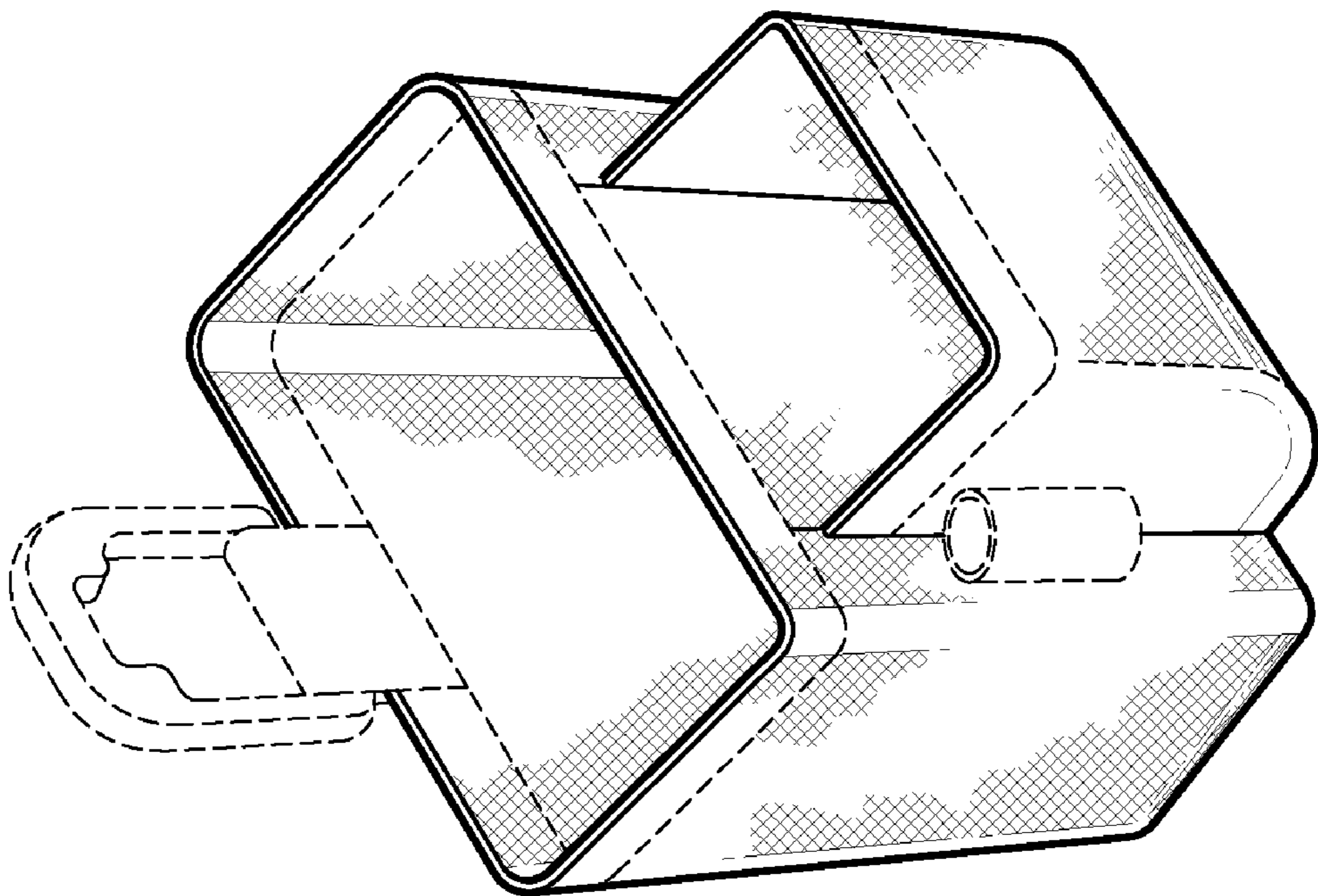


FIG. 9